

Keyword:
Enhanced Start



Type: SL-780

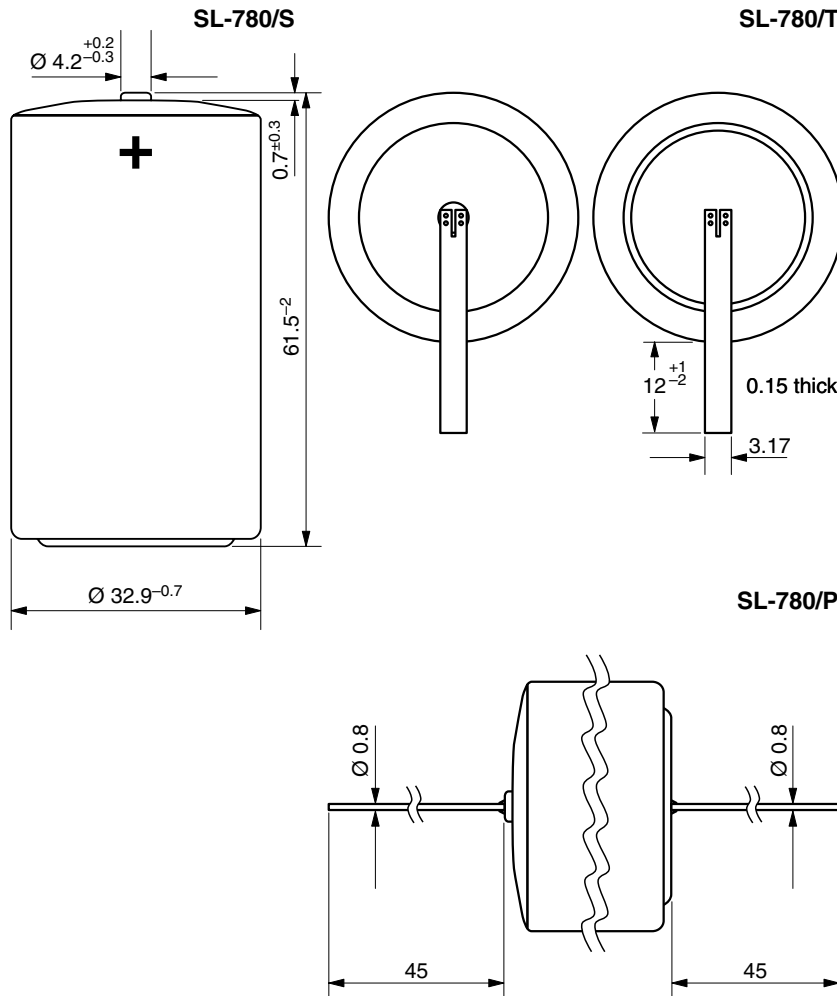
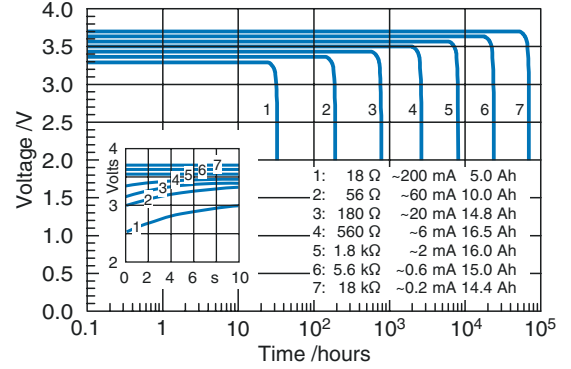
Performance Data (Typical values for batteries stored at 25°C for one year)

System	Li/SOCl ₂
Nominal voltage	3.6 V
Nominal capacity	16.5 Ah
Nominal current	6 mA
Max. continuous discharge current	200 mA
Pulse current capability	450 mA
Anode surface area	45 cm ²
Weight	92 g
Volume	51 cm ³
Temperature range	-55...+85 °C

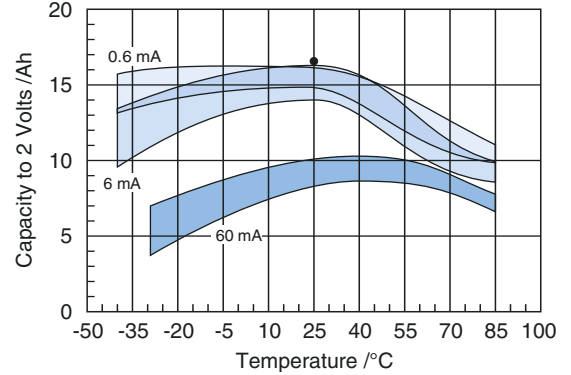
WARNING:
Fire, explosion, and severe burn hazard. Do not recharge, disassemble, heat above 100 °C, incinerate, or expose contents to water.

See page 4 for further safety recommendations.

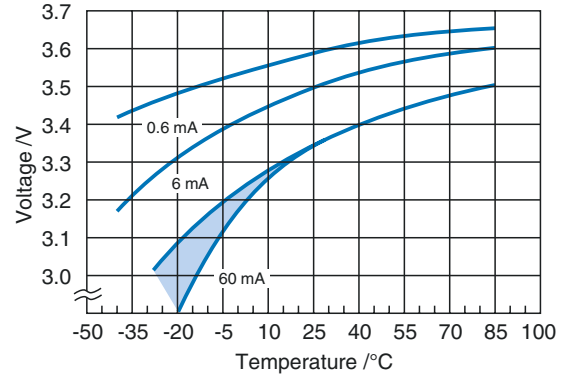
Typical Discharge Curves at +25°C



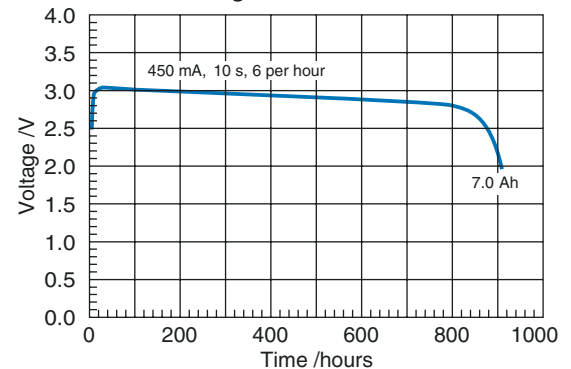
Available Capacity



Operating Voltage



Pulse Discharge Characteristics at +25°C



Available Terminations **Catalogue No.**

SL-780/S	Standard	11 1 17801 00
SL-780/T	Tags	11 1 17802 00
SL-780/P	Pins	11 1 17803 00

Any values given here are for information purposes only. They also depend on actual conditions of use and are not warranties of future performance. Subject to change.