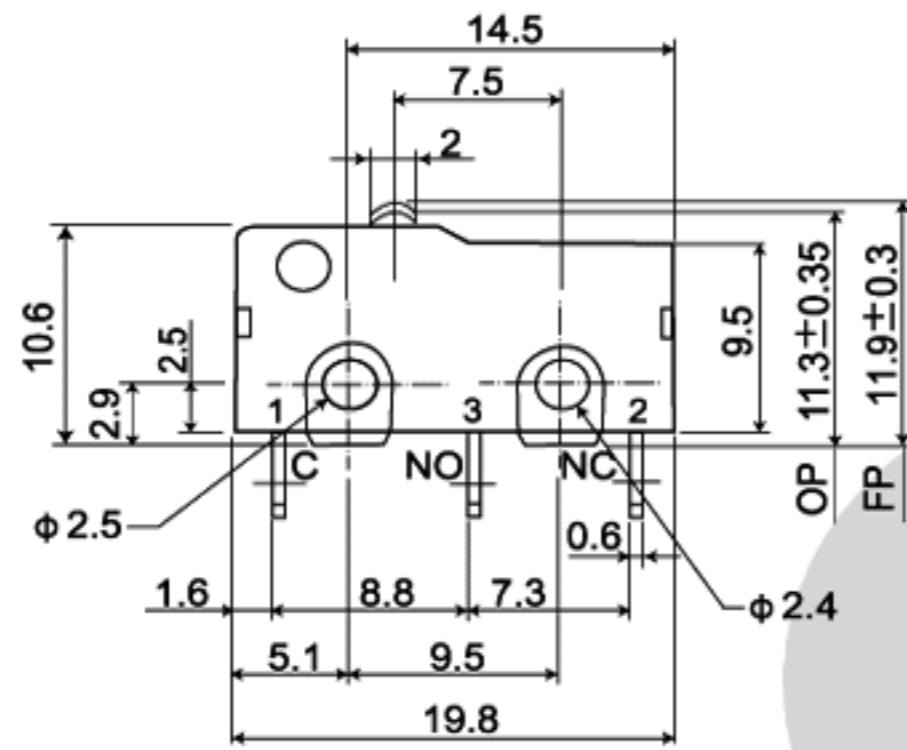


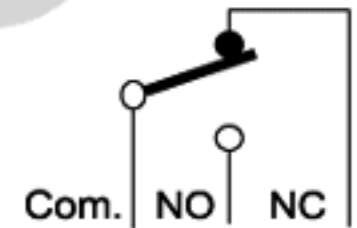
## SPECIFICATION:

Rating : SM3 : 3A 125 / 250V AC SM5 : 5A 125 / 250V AC SM10 : 10.1A 125 / 250V AC	Electrical Life : SM3 : 10,000 Cycles SM5 : 10,000 Cycles SM10 : 6,000 Cycles
Insulation Resistance : $\geq 100M\Omega$ at 500V DC	Mechanical Life : 100,000 Cycles
Withstand Voltage : 1,000V AC for 1 minute	Operating Temperature : $-25^{\circ}C \sim +80^{\circ}C$
Contact Resistance : $\leq 50m\Omega$ (initial)	Ambient Humidity : $< 85\%RH$
Soldering Temperature : $225^{\circ}C$ Max. for 3 Sec.	Operating Force : On request

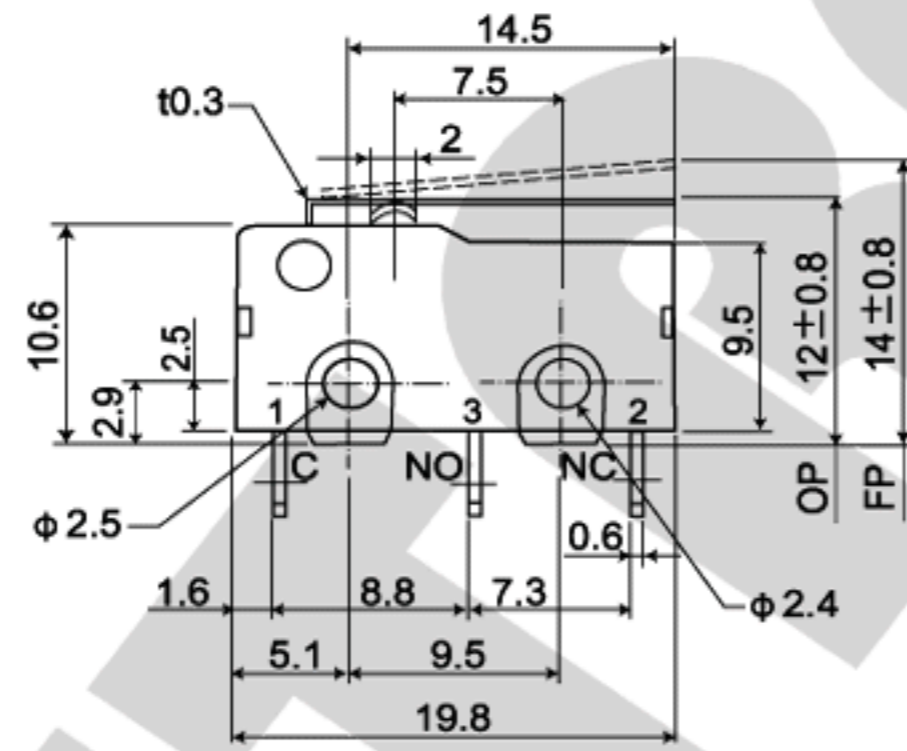
SM3-00N-115G  
SM5-00N-115G



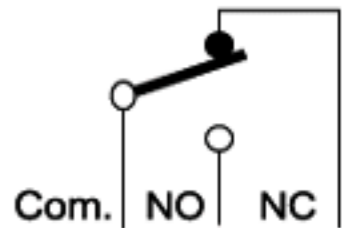
SCHMATIC



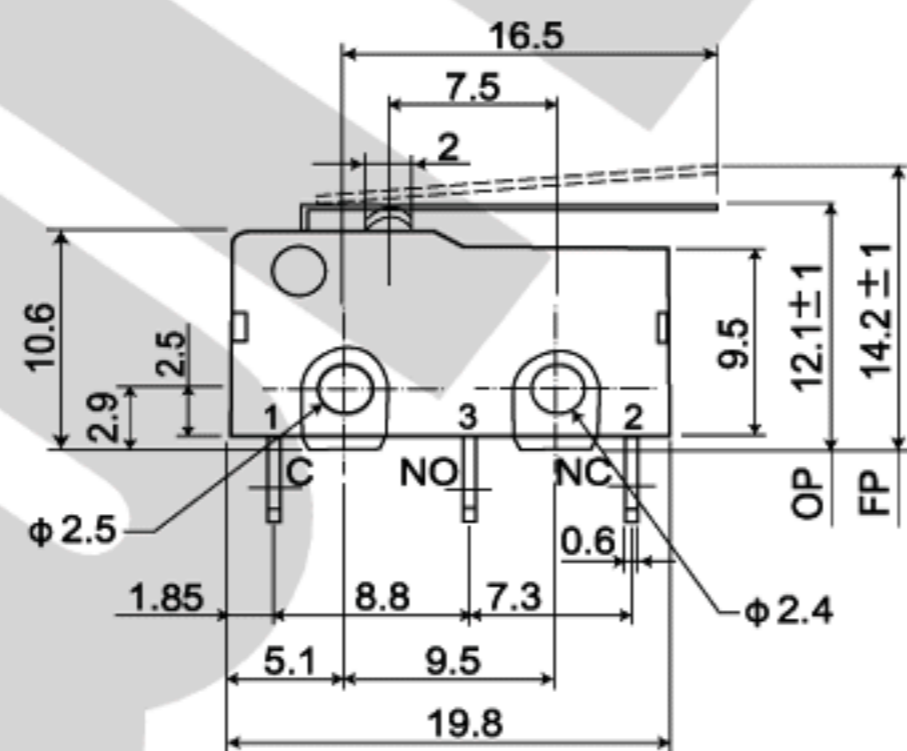
SM3-01N-30G  
SM5-01N-30G



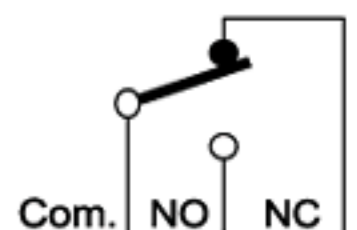
SCHMATIC



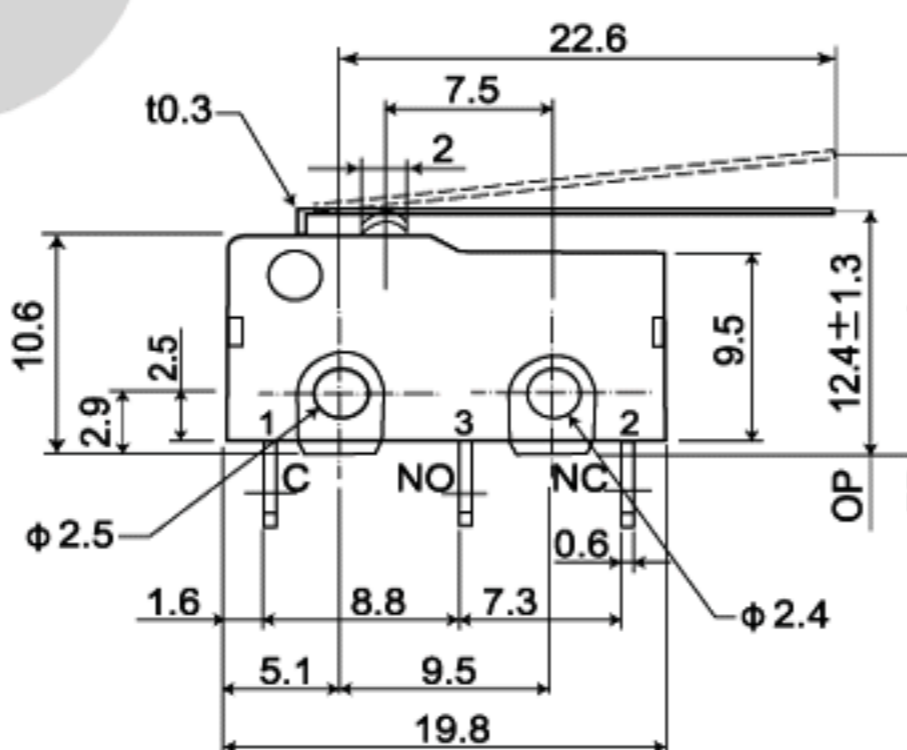
SM3-02N-38G  
SM5-02N-38G



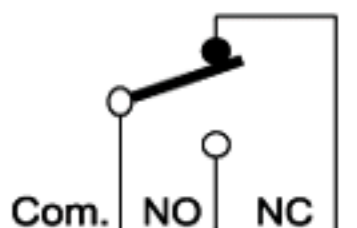
SCHMATIC



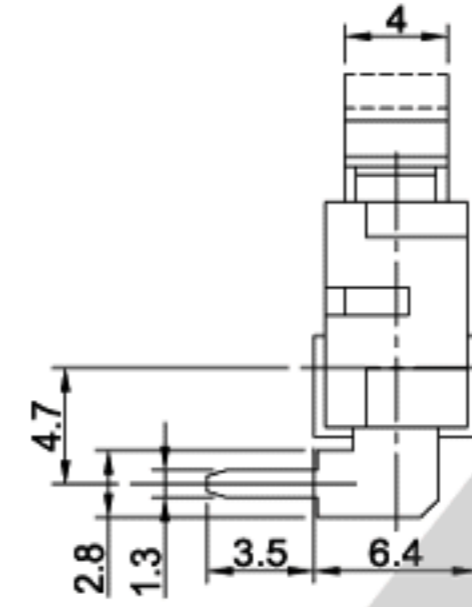
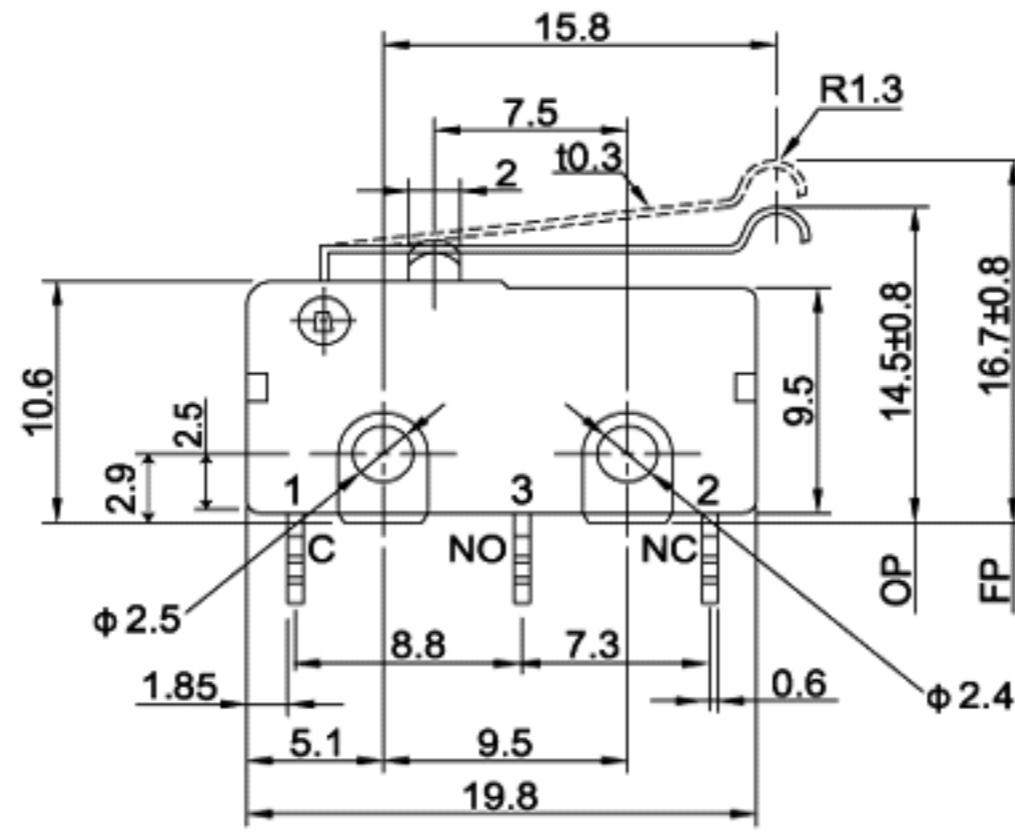
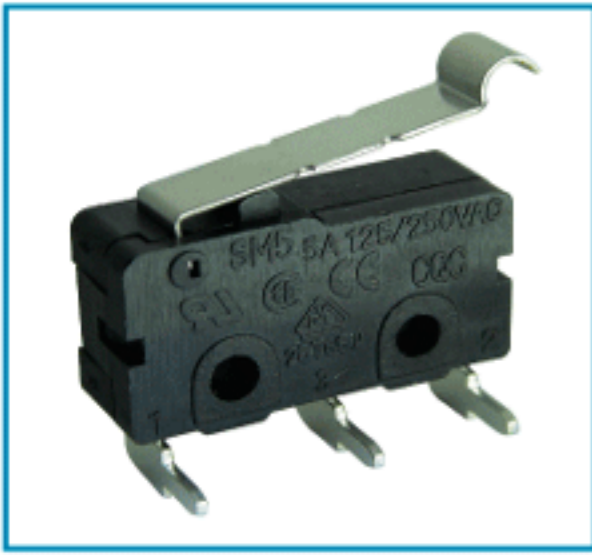
SM3-03P-28G  
SM5-03P-28G



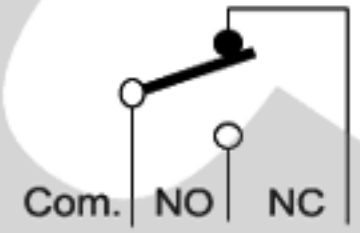
SCHMATIC



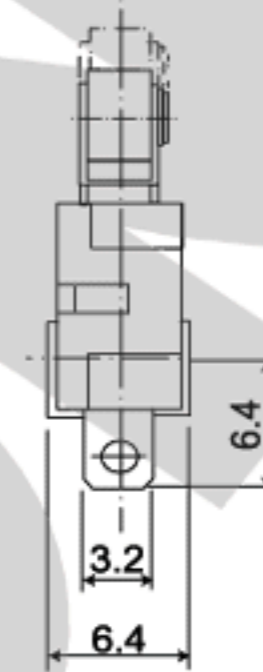
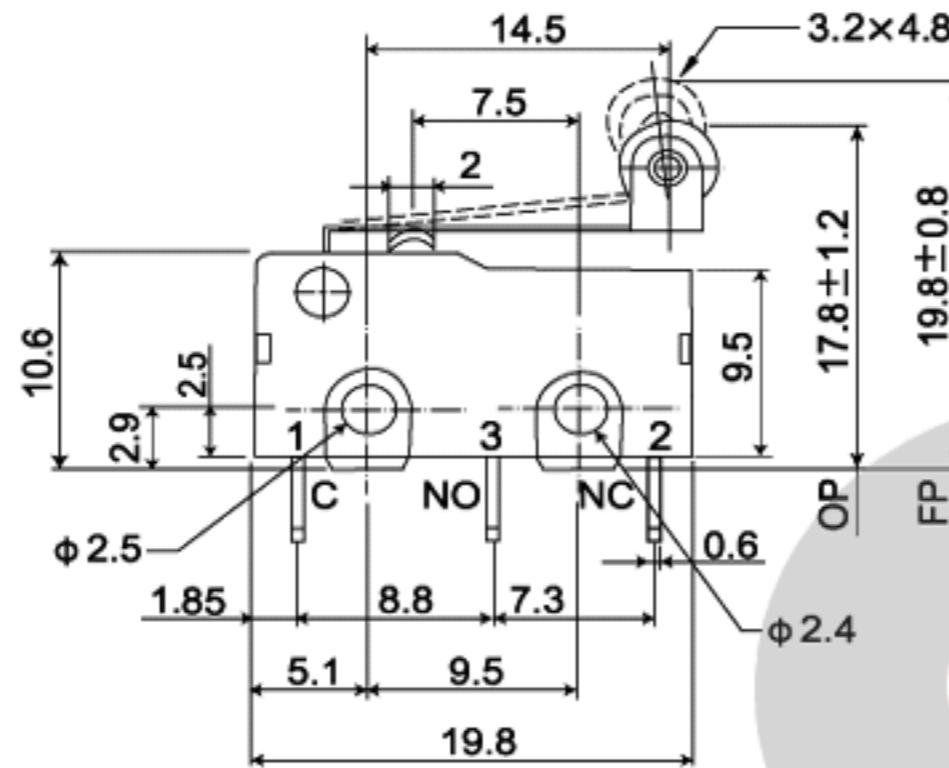
## SM3-04C-40G SM5-04C-40G



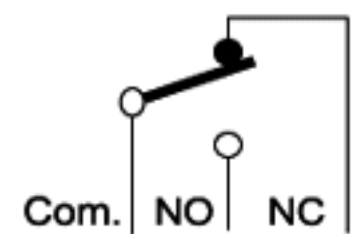
### SCHEMATIC



## SM3-05N-45G SM5-05N-45G

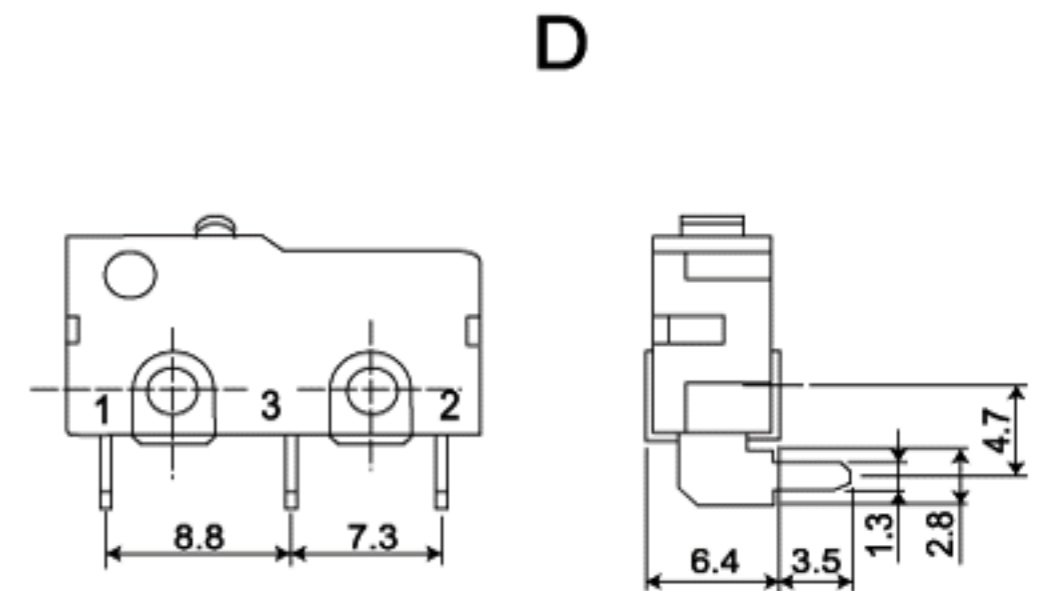
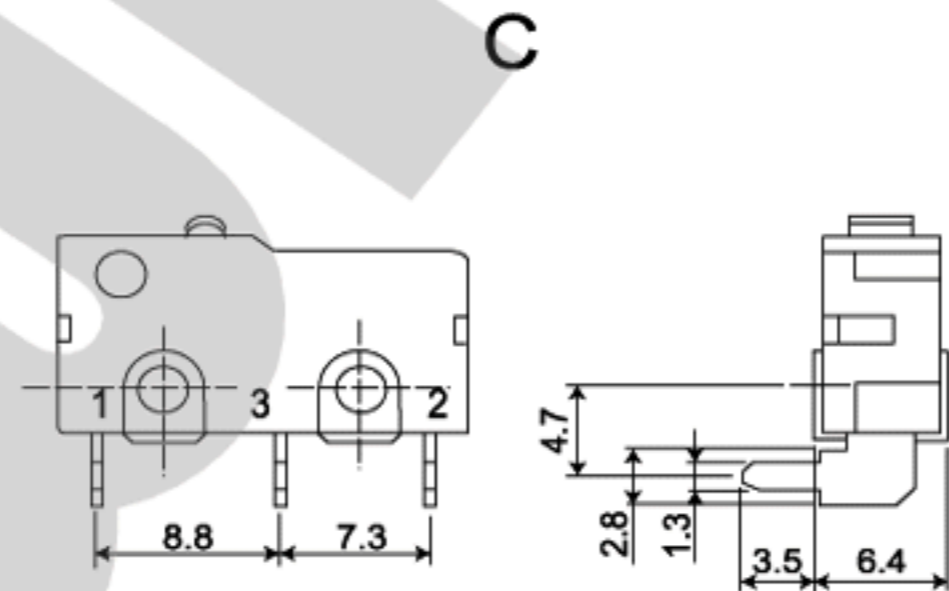
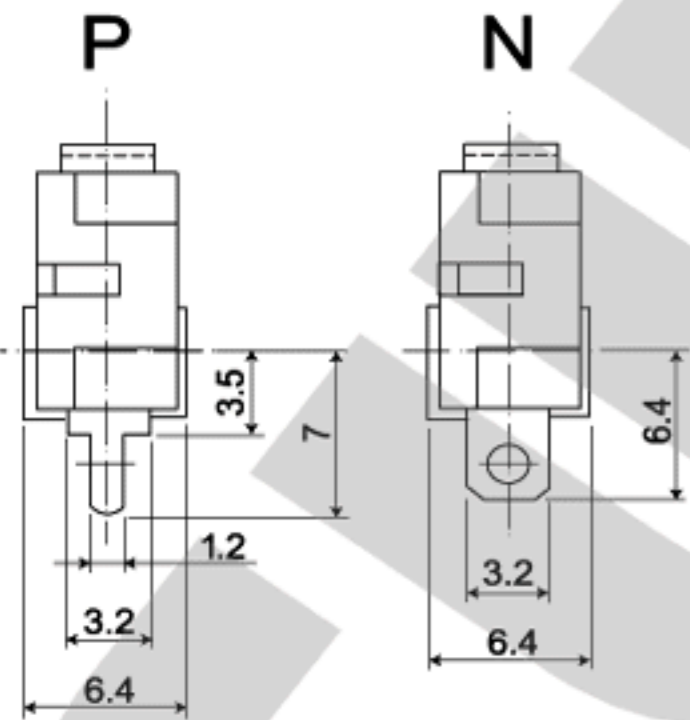


### SCHEMATIC



MODEL NO.	OPERATING FORCE(g)								
	(std.)				(std.)				
SM3-00N / SM5-00N	60	80	95	(115)	130	150	175	190	250
SM3-01N / SM5-01N	17	20	25	(30)	35	40	45	50	60
SM3-02N / SM5-02N	15	17	20	25	30	35	(38)	45	55
SM3-03N / SM5-03N	10	13	15	18	20	25	(28)	35	45
SM3-04N / SM5-04N	13	18	23	28	30	35	(40)	45	60
SM3-05N / SM5-05N	14	20	25	30	34	40	(45)	50	68

### TERMINAL TYPE:



## HOW TO ORDER

MODEL NO.	+	RATING	-	ACTUATOR TYPE	+	TERMINAL TYPE	-	OPERATING FORCE
SM		3 : 3A 125/250V AC 5 : 5A 125/250V AC 10 : 10.1A 125/250V AC		00 03 07 01 04 02 05		P N C D		( as above )