

PRODUCT MANUAL.

SM 6000 series

SM 15 - 400

SM 30 - 200

SM 45 - 140

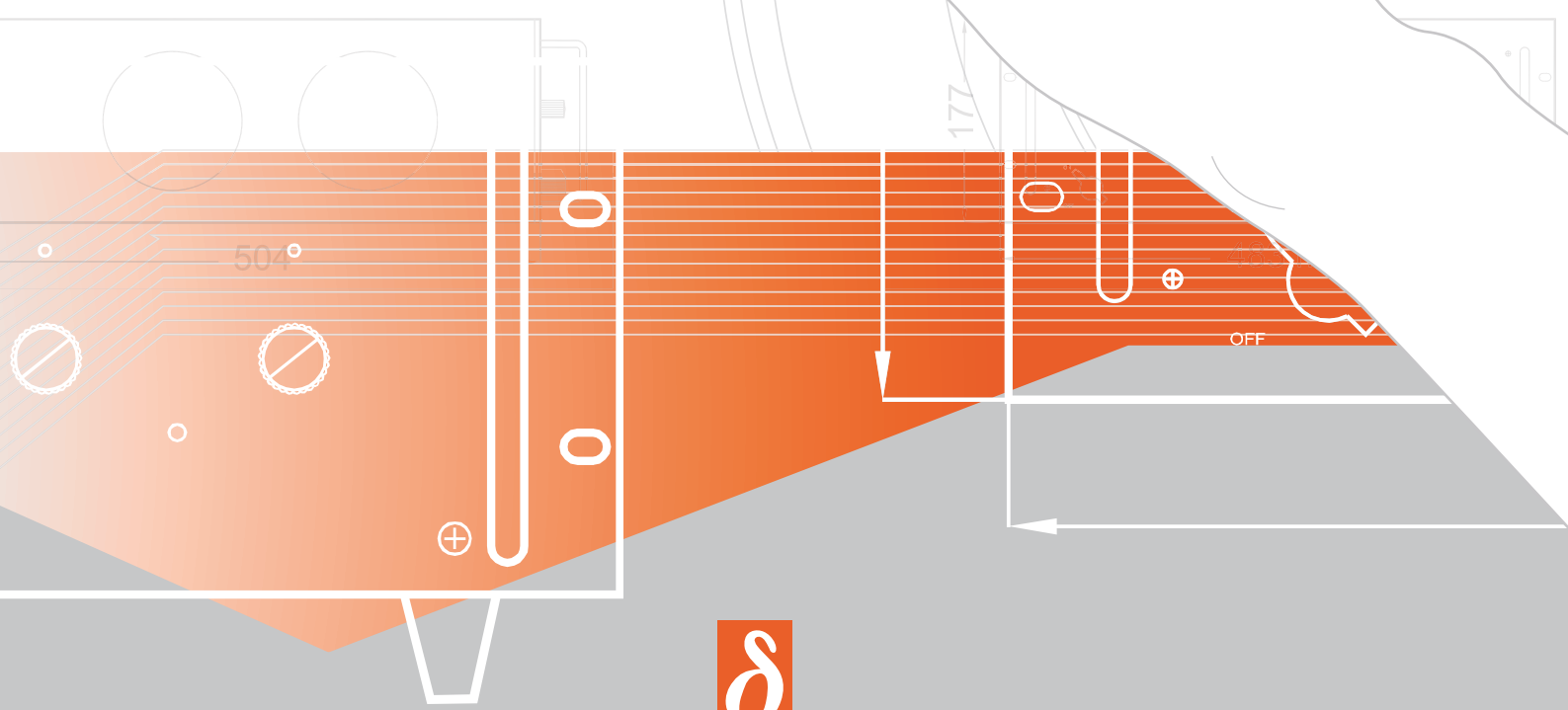
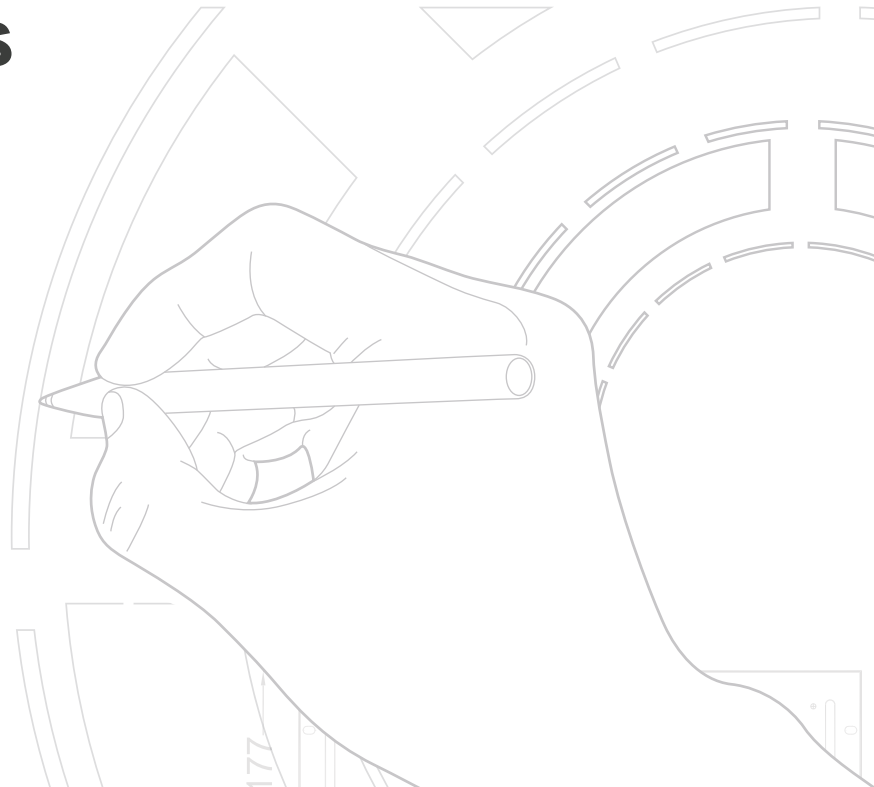
SM 60 - 100

SM 70 - 90

SM 120 - 50

SM 300 - 20

SM 600 - 10



DELTAELEKTRONIKA

DC POWER SUPPLIES

Safety Instructions

Caution

The following safety precautions must be observed during all phases of operation, service and repair of this equipment. Failure to comply with the safety precautions or warnings in this document violates safety standards of design, manufacture and intended use of this equipment and may impair the built-in protections within. Delta Elektronika shall not be liable for user's failure to comply with these requirements.

Installation Category

The Delta Elektronika power supplies have been evaluated to installation category II (Over voltage category II).

Grounding of Mains Input

This product is a safety Class 1 instrument. To minimize shock hazard, the instrument chassis must be connected to the AC Power Supply mains through a three or four conductor power cable for resp. a single or three phase unit, with the ground wire firmly connected to an electrical ground (safety ground) at the power outlet.

For instruments designed to be hard-wired to supply mains, the protective earth terminal must be connected to the safety electrical ground before another connection is made. Any interruption of the protective ground conductor, or disconnection of the protective earth terminal will cause a potential shock hazard that might cause personal injury.

Grounding of Power Output

If the output of a unit is specified to deliver max 60Vdc, and either the negative or positive power output is grounded, the voltage on the following connections can be considered safe:

- power outputs and sense connections
- programming/monitor/status-signals, Interlock, Master/Slave-connections, ACF/DCF-relay
- all Delta Elektronika interfaces.

Warning:

When the positive power output can exceed 60Vdc in respect to the negative output, additional external measures must be taken to ensure safety isolation of the following:

- power outputs and sense connections.

Warning:

When the negative power output of the unit can exceed 60Vdc / 42.4Vpk in respect to ground, additional external measures must be taken to ensure safety isolation of the following:

- power outputs and sense connections
- programming/monitor/status-signals, Interlock, Master/Slave-connections, ACF/DCF-relay
- interfaces with operational isolation
- non-isolated interfaces.

Caution 1: If a low voltage unit has both power outputs floating, or if the output is in series with an external high AC or DC voltage, the negative power output can exceed the safe value in respect to ground as specified in the above warning!

Caution 2: Although a high voltage unit is set to a safe voltage below 60V, for safety it must always be considered as high voltage unit! Wrong operation, a programming error or an external defect can result in an unsafe high output voltage.

Caution 3: When programming a high voltage unit directly via a PC or via a network connection, either ground the negative power output or use a safety isolated interface!

For more information and schematics regards Grounding and Safety, see the special application note "*Safe operation of a power supply*" on the Delta Elektronika website.

Fuses

Fuses must be changed by authorized Delta Elektronika service personnel only, for continued protection against risk of fire.

Input Ratings

Do not use an AC Supply which exceeds the input voltage and frequency rating of this instrument. The input voltage and frequency rating of the Delta Elektronika power supply series are stated in the accompanying datasheet.

Live Circuits

Operating personnel must not remove the instrument cover. No internal adjustment or component replacement is allowed by non Delta Elektronika qualified personnel. Never replace components with the power cable connected. To avoid injuries, always disconnect power, discharge circuits and remove external voltage sources before touching components.

Parts Substitutions & Modifications

Parts substitutions and modifications are allowed by authorized Delta Elektronika service personnel only. For repairs or modifications the unit must be returned to a Delta Elektronika service facility.

Removal of (safety) covers

Safety cover(s) are used to cover potentially hazardous voltages.

Observe the following when removing safety cover(s):

- Switch off the unit.
- Disconnect the unit from the mains supply.
- Wait for 3 minutes to allow internal capacitors to discharge.
- Unscrew the screws and remove the cover(s).
- Always place the cover(s) back before connecting the unit to the mains supply again.

Environmental Conditions

The Delta Elektronika power supplies safety approval applies to the following operating conditions:

- Indoor use
- Ambient temperature : -20 to 50 °C
- Maximum relative humidity : 95%, non condensing, up to 40 °C
: 75%, non condensing, up to 50 °C
- Altitude: up to 2000 m
- Pollution degree 2



Caution risk of electrical Shock



Instruction manual symbol. The instrument will be marked with this symbol when it is necessary for the user to refer to the instruction manual



Protective ground conductor terminal



Off (supply)



On (Supply)

Canada



This product has been tested to the requirements of CAN/CSA-C22.2 No. 61010-1, second edition, including Amendment 1, or a later version of the same standard incorporating the same level of testing requirements

WEEE

(Waste Electrical & Electronic Equipment)

Correct Disposal of this Product

Applicable in the European Union.



This marking shown on the product, its packing or its literature indicates that it should not be disposed with other wastes at the end of its working life, but should be collected separately to recycle it responsibly to promote the sustainable reuse of material resources.

DESCRIPTIONS

1) OUTPUT

The SM15-400, SM30-200, SM45-140, SM60-100, SM70-90, SM120-50, SM300-20 and SM600-10 can either be used as a constant voltage source with current limiting or as a constant current source with voltage limiting.

The change of mode occurs sharply at the crossing of the voltage and current settings. Figure 3 - 1 shows the output ranges.

- **DISPLAY CV/CC SETTINGS FUNCTION**

The settings of the voltage and current control (also when programmed) can be observed on the front panel meters by pressing the Display CV/CC Settings button. This allows the current limit to be set when operating in the CV mode without shorting the output terminals, and the voltage limit to be set when operating in the CC mode without opening the load leads.

- **OVERLOAD PROTECTION**

The power supply is fully protected against all overload conditions, including short circuit.

2) INPUT VOLTAGE

The power supplies have a wide input voltage range.

- The unit needs a 3 phase input voltage, but **no neutral connection** is required.
- The unit only operates on three phases. In case of **Phase Loss**, the ACF-status (AC Fail) will be high, the ACF-LED will light and the output shuts down after a few seconds.

3) INPUT CURRENT

The unit has active power factor correction (PFC). The input current will therefore almost be a sine wave. This means that the RMS-value and the harmonic distortion of the input current will be relatively low.

The peak inrush current is electronically limited. Switching on and off repeatedly will not result in excessive currents like with NTC circuits.

4) STANDBY INPUT POWER

The unit consumes very little power when in standby. This makes it possible to leave the input power on when the output is disabled using the Output On/Off push button on front panel or the Remote ShutDown input (pin 5 on connector CON E on the rear panel).

5) EFFICIENCY

The efficiency is very high and constant over a wide output current range. High efficiency means low power loss and low heat generation.

6) CV REGULATION

The specified CV-load regulation value is measured directly on the output terminals. This is because at high current, a few cm of cable can have a voltage drop of several mV.

7) CC REGULATION

For accurate CC-load regulation, do not use external voltage sensing. A voltage between S- and minus output will create an error of about 0.04 % per volt.

A voltage between S+ and + is not critical. The CC-stability is also affected by external voltage sensing.

Note: when the unit operates in CC-mode, the **DCF-LED** will be on. When the unit is in CC-mode most of the time, it is possible to disable the LED with DIP switch 3 on SW1 (rear panel).

8) RIPPLE & NOISE

The output ripple is very low with almost no spikes. The specified ripple voltage is measured directly on the output terminals using a probe with very short connections. This to avoid pick up of magnetic fields, see fig. 3 - 2 and fig. 3 - 3.

At low temperatures like -20°C the ripple increases. By using high quality electrolytic capacitors the increase is relatively low.

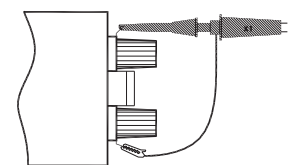
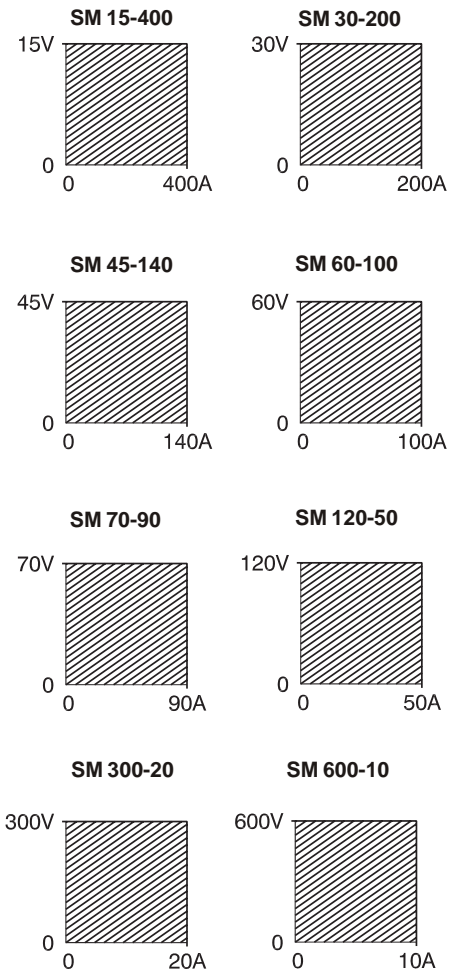


fig. 3 - 2
Measuring ripple voltage
WRONG !

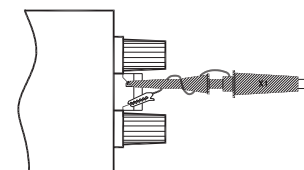


fig. 3 - 3
Measuring ripple voltage
RIGHT !

9) **ANALOG PROGRAMMING**

The output voltage and current can be programmed by an external analog voltage. This programming is very accurate and linear. The levels are all standardized on 5 V.

Standard the SM300-20 and SM600-10 are equipped with the ISO-AMP, see next paragraph.

For the other units, the inputs have a protection circuit formed by a series resistor and a parallel zener (see fig. 3 - 4). The capacitor limits the speed to a safe value. Note that the analog inputs (and outputs) are **not floating, but the common is connected to the negative output terminal**. Wrong connection of Ø can cause earth loops which can trip the fuse. After removing the fault, the fuse will reset (PTC-fuse). For isolated programming see next paragraph.

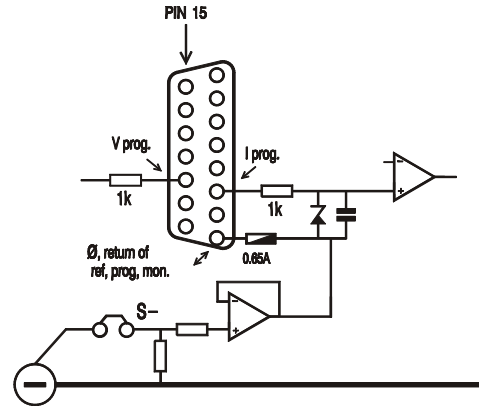


fig. 3 - 4

Programming inputs (internal circuit)

10) **ISOLATED ANALOG PROGRAMMING**

To prevent earth loops which can cause programming errors, use an isolated programming source. If this is not possible, use the optional **ISO AMP CARD (δ-product)** which can be built inside the unit.

With the ISO AMP CARD earth loops between the unit and the programming source are prevented.

11) **ETH / IEEE488 / RS232 / CAN / PROFI PROGRAMMING**

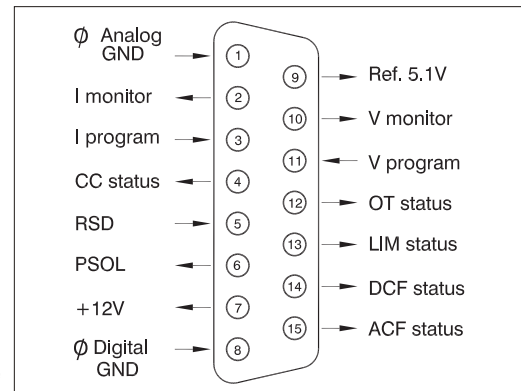
The Delta Elektronika **PSC-ETH, PSC-488, PSC-232, PSC CAN** and **PSC PROFI** controllers can be factory installed inside the unit.

Voltage and current can easily be programmed and read back. Also all the status outputs can be read by the computer.

12) **MONITORING OUTPUTS**

The monitor outputs give a voltage 0 - 5 V proportional to the output current or voltage. The output current can easily be measured using the I-monitor (see fig. 3 - 6). The monitor outputs are buffered with op-amp's and protected with series resistors and parallel zeners (see fig. 3 - 7). The table in fig. 3 - 5 shows the impedance levels of the monitoring outputs.

For using Imon on a pulsating load, see paragraph 20) of this chapter.



pin	Description, see par.12)...17) for details
1	Ø, return of reference, prog. inputs and monitor outputs (Ro = 1.2 Ohm).
2	current monitor output 0 - 5 V (Ro = 1.2 Ohm, Io max = 4 mA)
3	current programming input (0 - 5 V), Ri = 8 MOhm
4	CC status output, logic 1 = CC mode (5 V / 500 Ohm)
5	Remote ShutDown (4 - 12 V), Ri = 5 kOhm
6	PSOL status output, logic 1 = PSOL (5 V / 500 Ohm)
7	+12 V output (Ro = 3 Ohm, Io max = 0.2 A)
8	Ø, return of status outputs, +12 V and Remote ShutDown
9	reference voltage 5.1 V (Ro = 1.2 Ohm, Io max = 4 mA)
10	voltage monitor output 0 - 5 V Ro = 1.2 Ohm, Io max = 4 mA)
11	voltage programming input (0 - 5 V) Ri = 8 MOhm
12	OT - status output, logic 1 = OT (5 V / 500 Ohm)
13	LIM - status output, logic 1 = LIM (5 V / 500 Ohm)
14	DCF - status output, logic 1 = DCF (5 V / 500 Ohm)
15	ACF - status output, logic 1 = ACF (5 V / 500 Ohm)

13) **+12 V ON PROGRAMMING CONNECTOR**

The +12 V on the programming connector can be used to supply external circuits. The output is current limited, but should not be overloaded. The fuse F27_3 on P598 could blow. The fuse F27_3 also protects the internal circuit, in case an external high voltage is applied by accident. Note: this fuse is a special 600 V type, always replace with the same type.

14) **STATUS OUTPUTS**

All the status outputs are logic outputs. Logic "0" means the output is 0 V, logic "1" means the output is 5 V (Ro = 500 Ohm). This makes it possible to drive directly: an opto-coupler, a TTL gate or a CMOS gate.

The Limit Status or **LIM-status** is "1" in case the output voltage or current reaches the limit setting. Which limit circuit is active can be seen on the front panel LED's.

The Over Temperature Status or **OT status** is "1" in case of an over temperature, the OT LED will be on and the output shuts down. As a pre-warning the OT LED starts to blink when the unit runs hot but the situation of over temperature is not reached yet. The status will still be low when the LED is blinking.

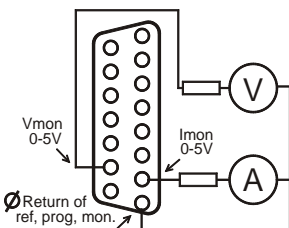


fig. 3 - 6

External meters using monitor outputs

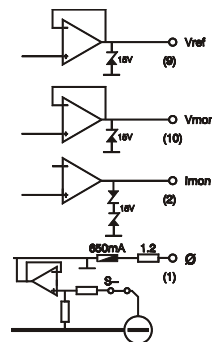


fig. 3 - 7

Buffered monitor outputs

fig. 3 - 5

Connections ANALOG PROG. CONNECTOR



fig. 3 - 8 Location of output terminals and analog prog. connector on rear panel

CON A	Interlock Connector
CON B	Master connector for Master / Slave operation (output)
CON C	Slave connector for Master / Slave operation (input)
CON D	Relay Outputs, contacts 1 - 6
CON E	Analog Programming Connector (not available on SM300-20 / SM600-10, see CON H)
CON F	PSC-232, from PC or previous PSC (optional)
CON G	PSC-232, to next PSC (optional)
CON H	PSC-488 (optional) or ISO AMP CARD (optional) SM300-20 / SM600-10 standard with ISO-AMP instead of CON E.
SW 1	Various settings, see paragraph 16)
SW 2	Settings for PSC-488 and PSC-232 (optional) or

fig. 3 - 9 Connectors and switches on the rear panel

The Current Control Status or **CC-status** output is "1" when the unit is in CC-mode.

The Power Sink OverLoad Status or **PSOL-status** output is "1" when the optional Power Sink is overloaded or overheated.

The AC-Fail Status or **ACF-status** output is "1" in case of Phase Loss or when the input voltage is below 340 V.

The DC-Fail Status or **DCF-status** output is "1" when the output voltage is either 5% below or above the set point.

When the unit is in CC-mode, DCF will always be "1", see previous paragraph 7).

15) STATUS RELAY OUTPUTS

The power supply has 2 status relay outputs, with each a change-over contact. They are connected to connector CON D. The pins 1,2,3 are connected to the DCF-relay and pins 4,5,6 to the ACF-relay (see fig. 3 - 10).

16) FUNCTION SWITCHES ON SW1

In the following table the functions of the DIP switches 1-5 of switch SW1 at the rear side are explained:

Switch no.	UP position	DOWN position	Default Setting
SW 1 - 1	Programming via 15pole connector CON E (analog).	Optional programming with e.g. PSC-232, PSC-488, ISO AMP CARD	Up
SW 1 - 2	'Output On' after mains on	'Output Off' after mains on	Down
SW 1 - 3	DCF LED enabled	DCF LED disabled (DCF status and DCF relay are still enabled)	Up
SW 1 - 4	Parallel Master / Slave operation	Series Master / Slave operation	Up
SW 1 - 5*	After switching mains on, the unit will start with the same settings for the voltage and the current as it had before switching mains off	After switching mains on, the unit will always start up with a voltage setting of 0 V and a current setting of 0 A. Once the unit is switched on, the voltage and current can be set to the preferred value.	Down

* = SW1-5 only on SM300-20 / SM600-10 and on units with optional digital encoders (option P220).

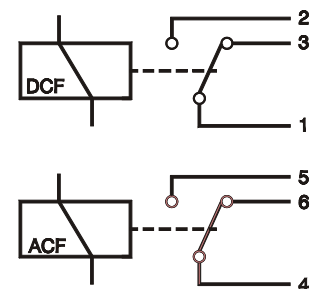


fig. 3 - 10

Status relay outputs on CON D.
This situation gives the relay positions during fault condition.

17) **REMOTE SHUTDOWN (RSD)**

A voltage of +4 V...+12 V on the Remote ShutDown input on the programming connector CON E will switch off the output of the unit. It is also possible to use a relay contact or a switch to shut the unit down (see fig. 3 - 11). In standby mode the power supply consumes very little power.

18) **INTERLOCK**

The Interlock connector (CON A, rear panel) has 2 inputs which have to be connected together to turn on the output of the unit. As soon as the link between the 2 inputs of the Interlock connector is disrupted, the output of the unit shuts down. It can be used in combination with a cabinet door contact (safety precaution) or as an emergency break to stop a motor which is powered by the unit.

In case the link is disrupted the RSD LED will light. In contrast with Remote ShutDown, also the DCF LED will be on, the DCF status will be high and the relay contact will change. Once the inputs are connected again, the output will be on. No voltage may be applied to the pins in the Interlock connector.

19) **PROGRAMMING SPEED**

The rise and fall time is measured with a step waveform at the CV prog. input. Programming from a low to a high output voltage is nearly load independent, but programming down to a low voltage takes more time on lighter loads. This is caused by the output capacitors, which can only be discharged by the load because the power supply cannot sink current. With the **Power Sink option**, also the programming down speed is nearly load independent.

When having a unit with a **fast programming option**, the rise and fall time is 5 to 25 times faster (see datasheet). The programming source must be floating or otherwise an ISO AMP CARD must be used, a non-floating source will result in slope distortion.

When using fast programming it is generally not recommended to use remote sensing or serial / parallel operation. Consult factory for advice. Note that the output ripple is higher.

20) **PULSATING LOAD**

To avoid overheating the output capacitors, the AC component of the load current should be limited (see fig. 3 - 12).

One method of decreasing the AC current through the output capacitor is by using a large external electrolytic capacitor in parallel with the load. Care must be taken so that the capacitor in combination with the lead inductance will not form a series resonant circuit!

When using **remote sensing** on a pulsating load (for instance a DC-motor), use a capacitor in series with a resistor over the load (see fig. 3 - 13). Like this the AC-component caused by the pulsating of the load is filtered.

Note: in case of a **pulsating load**, the I monitor voltage will not exactly match the output current. This is mainly caused by the current through the output capacitors. Remote sensing will worsen this effect.

21) **INSULATION**

For safety the insulation of the separating components (transformers) between input and output is tested at 3750 Vrms during 1 minute. This is tested before assembly.

Warning! The 3750 Vrms cannot be tested afterwards on the assembled unit because the insulation between the components on the input side to the case (like the bridge rectifier) is specified at 2500 Vrms. Since the insulation output - case is low (only 600 V DC) the insulation of the primary components to case will break down when 3750 Vrms is applied between input and output (2500 Vrms + 600 VDC < 3750 Vrms) (see also fig. 3 - 14).

Note: when testing the insulation, take care to charge and discharge the capacitors between input - case and output - case slowly (e.g. in one second). This to prevent high peak currents, which could destroy the power supply. Make sure to discharge the capacitors completely before using it again.

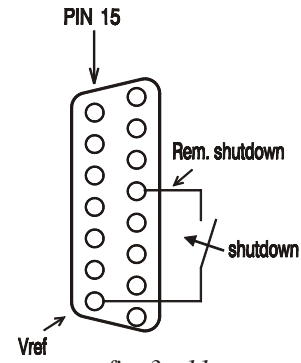


fig. 3 - 11

Remote ShutDown using a relay contact

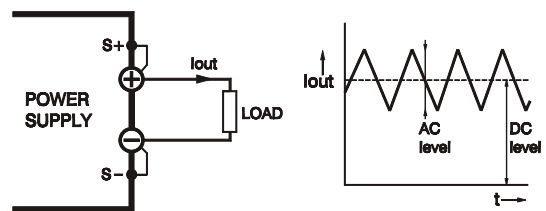


fig. 3 - 12

Pulsating load current

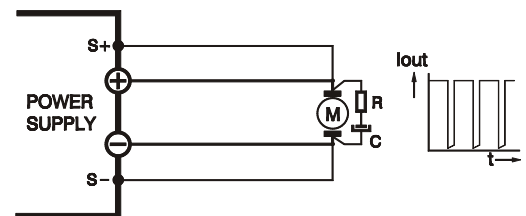


fig. 3 - 13

Remote sensing on a pulsating load

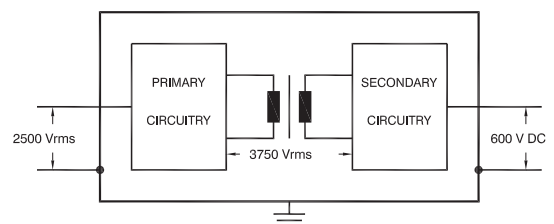


fig. 3 - 14

Insulation test voltages

22) RFI SUPPRESSION

Both the input and output have RFI filters, resulting in very low conducted RFI to the line and load. Due to the output filter the output voltage is very clean, having almost no spikes.

23) OPERATING TEMP

At full power the operating temperature range is -20 to $+50$ °C. From 50 to 60 °C the output current has to be derated linearly to 75% at 60 °C (see fig. 3 - 15). These temperatures hold for normal use, i.e. the ventilation openings on the left and right side must be free.

24) THERMAL PROTECTION

A thermal switch shuts down the output in case of insufficient cooling. The OT status will be high. After cooling down the unit will start working again.

The OT-LED on the front panel will be on and the OT-status signal will be "1" in case of a tripped thermal protection.

As a pre-warning the OT-LED blinks (status will still be low), this will start before the power supply shuts down.

25) HOLD - UP TIME

The hold - up time depends on the load and the output voltage.

A lighter load or a lower output voltage results in a longer hold - up time (see fig. 3 - 16).

26) TURN ON DELAY

The output voltage is available about 0.2 sec after mains switch on.

27) INRUSH CURRENT

The inrush current is electronically limited.

Repeatedly switching on and off does not change the maximum peak current.

Switching on and off at a fast rate can overheat the inrush current limiter. With the result that the unit does not start anymore. After cooling down (mains switched off) it will be OK again.

28) PHASE LOSS

Phase loss means that not all three phases are available.

The ACF-status will be high, the ACF LED will light and the output of the unit will shutdown after a few seconds.

29) REMOTE SENSING

The voltage at the load can be kept constant by remote sensing. This feature is not recommended for normal use but only when the load voltage is not allowed to vary a few millivolts. Always use a **shielded cable** for sensing.

In order to compensate for the voltage drop across the load leads, the unit will have to supply a higher voltage (see fig. 3 - 17):

$$U_{out} = (\text{voltage drop across each lead}) + (\text{voltage across the load}).$$

The voltage limit reads the voltage directly at the output terminals. The setting for the limit must therefore be increased by the total voltage drop across the load leads.

The voltage display on the front panel and the voltage monitor output on CON E are connected to the sense leads and therefore read the voltage across the load and **not** the voltage on the output terminals.

The sense leads are protected against **accidental interruption**. The maximum voltage between the output terminals and the sense inputs is limited at 2.5 V.

For sensing on a **pulsating load** see paragraph 20) of this chapter.

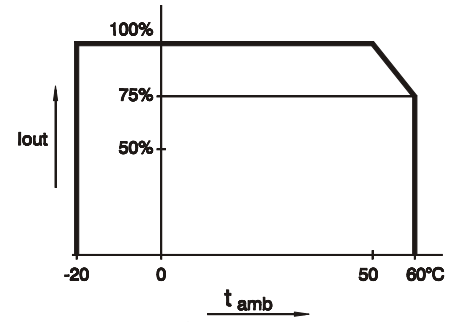


fig. 3 - 15

Operating temperature ranges

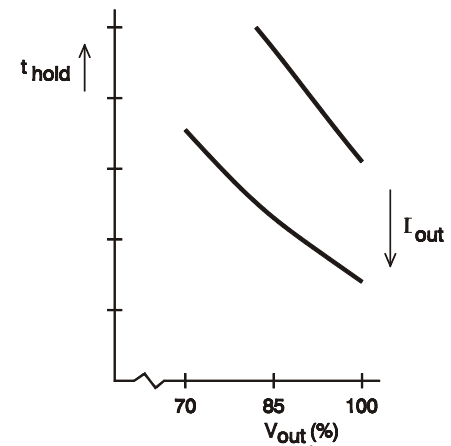


fig. 3 - 16

Hold-up time vs V_{out} with I_{out} as a parameter

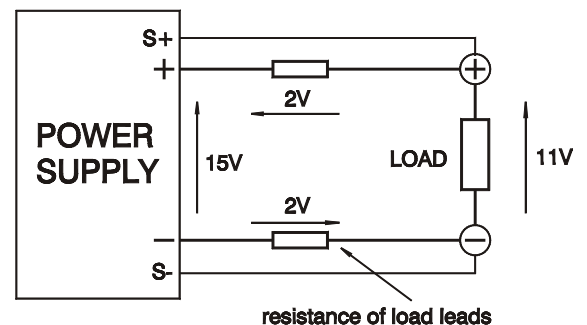


fig. 3 - 17

Remote sensing, voltage drop in load leads subtracts from max. output

30) **SERIES OPERATION**

Series operation is allowed up to 600 V total voltage. The power supplies can be connected in series without special precautions.

For easier control, Master / Slave operation is recommended (see fig. 3- 18). By using the Master / Slave series feature a **dual tracking** power supply can be made with one unit as master and one as slave.

For series operation in combination with **Power Sink** option, all units must have a Power Sink built inside otherwise no power can be absorbed.

31) **PARALLEL OPERATION**

Paralleling of the units has no limitations. The power supplies can be connected in parallel without special precautions. For easier control, Master / Slave operation is recommended (see fig. 3- 18 and fig. 3 - 19).

Normal parallel operation of **Fast Programming** units can give problems, each combination has to be tested first, in combination with the load !

For parallel operation in combination with **Power Sink** option, only one unit can have a Power Sink. Refer to Power Sink manual for details and restrictions.

32) **MASTER / SLAVE OPERATION**

The Master / Slave feature makes it possible to use the power supplies as building blocks to form one large unit (see fig. 3 - 19).

Mixed parallel - series operation is also possible, to a maximum of 600 V.

The resulting combination of units behaves like one power supply and can be manually controlled or programmed on the master. Figure 3 - 20 shows a computer controlled Master / Slave parallel combination.

Connect the different units with standard RJ45 cables (see fig. 3 - 21), using CON B and CON C on the rear side. With DIP switch 4 of switch SW1 the Parallel or Series mode can be selected.

The slaves will follow the master. The result is true **current or voltage sharing** in the parallel or series mode respectively.

Note: Master / Slave parallel operation is not recommended for more than 3 units or in combination with Fast Programming option. Consult factory for a solution.

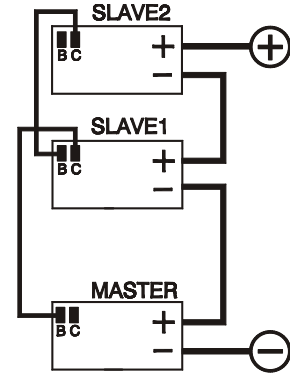


fig. 3 - 18
Master / Slave series operation

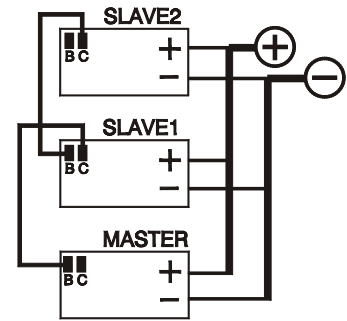


fig. 3 - 19
Master / Slave parallel operation

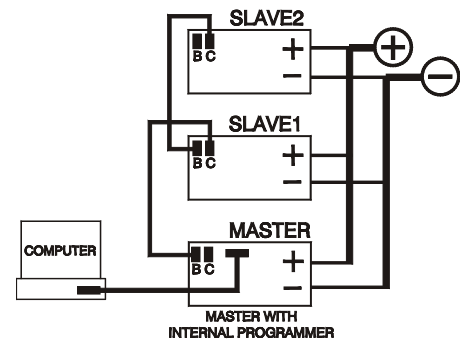


fig. 3 - 20
The Master / Slave combination can also be programmed with the interfaces PSC-488 or the PSC-232



fig 3 - 21

Use standard UTP cables (RJ45) for Master / Slave operation

33) **VOLTAGE AND CURRENT LIMIT**

The Voltage Limit will protect your circuit from unwanted high voltages. A high output voltage could be caused by accidental interruption of leads, accidentally turning up the voltage potmeter, a programming error or a defect in the power supply. The Voltage Limit circuit uses a separate voltage divider connected directly to the output terminals.

The Current Limit protects your circuit from unwanted high currents.

The Voltage and Current Limits maintain the output to a safe preset value. They do not trip, so no resetting is needed after a fault. It can be very handy to have hardware limits when the power supply is programmed.

The limits can easily be set by pressing the DISPLAY LIMITS button and adjusting the potentiometers with a screwdriver. The LED's next to the potmeters indicate the activity of each limit, also the LIM-status output will be "1".

34) **POTENTIOMETERS AND ENCODERS**

At the front panel, standard every unit is equipped with knobs for the CV and CC controls and with screwdriver adjustment for the Voltage and Current Limit.

The SM300-20 and SM600-10 have digital encoders for the CV/CC-controls, with a very long life time and intelligent functions such as variable coarse/fine pitch adjustment, locking of CV/CC-settings and a selectable start-up voltage (start at 0V/0A or at last settings).

The lower voltage units have analog potentiometers for the CV/CC-controls . Optional they can be equipped with screwdriver adjustment for CV/CC-settings at the front panel or also with digital encoders (option P220). See fig. 3 - 22 for option P001.

35) **COOLING**

Two low noise blowers cool the unit. The speed of the fans depend on the temperature of the internal heatsink. Normally at 50 °C ambient and full load the fan will not work at full speed.

A special feature is that the fans blow through a tunnel where the heatsinks are situated, the delicate control circuitry is separated and will not be in the airflow path (see fig. 3 - 23).

Because the air enters at the left and exits at the right side, it is possible to stack the power supplies, no distance between the units is required. Only the ventilation openings at the left and right side should be free.

For long life the temperature of the air entering on the left side, should be below 35 °C under normal conditions. Under extreme conditions it should be below 50 °C.

Note: The control circuit makes the fan start in a pulsating mode, during which period it can produce a high pitched sound. This is normal.

36) **DIMENSIONS**

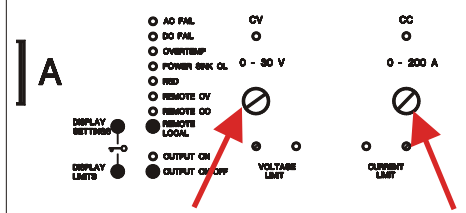
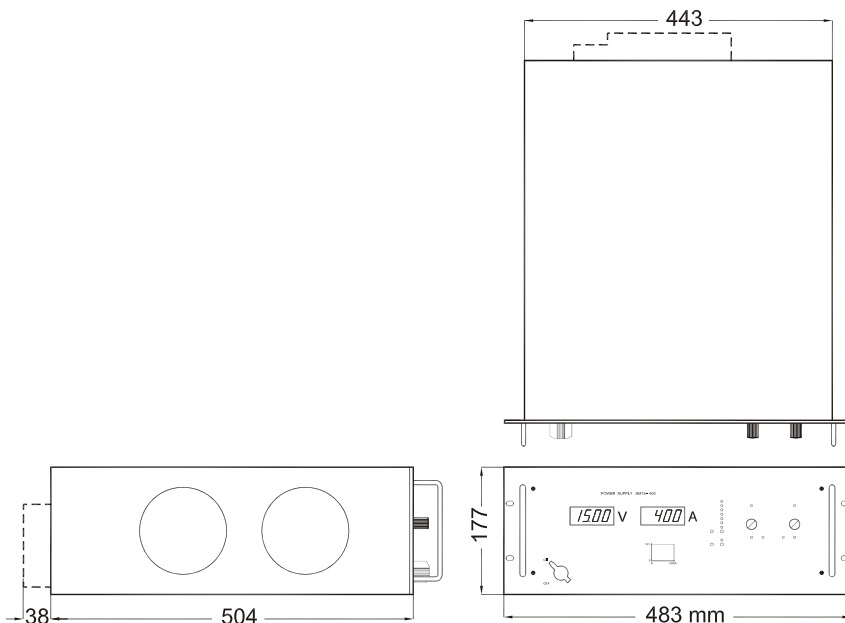


fig. 3 - 22
Screwdriver adjustment at front panel

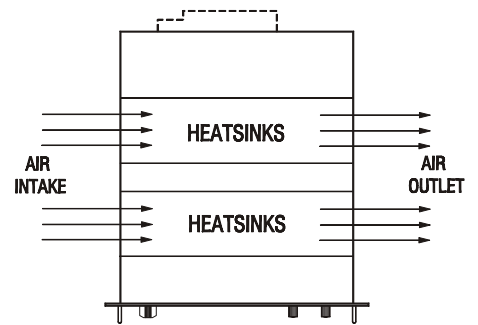


fig. 3 - 23
The two fans blow through the tunnels, where the heatsinks are situated

OPERATING MANUAL

1) OPERATING THE UNIT FOR THE FIRST TIME

Warning: carefully read the chapter "Safety Instructions" in this manual before operating the unit!

- Check there is no condensation on the unit. If there is, allow some time to dry.
- Check there is a link between + and S+ and between – and S– on the SENSE BLOCK (on rear panel).
- Check there is a link between the inputs of the Interlock (CON A).
- Set the CV and CC potentiometers to minimum (fully anti clock-wise). For units with Option P220, this is not needed. These units are set to start at 0 V - 0 A when operated for the first time.
- For the input power, connect a cable of 4-wires of 2.5mm². Use a torque of 0.6Nm to fasten the screws on the input connector.
- For the output power, see table 4 - 1 for cable diameters and mounting torque .
- With **high output current** make sure to use low resistive connections between the power supply and the load:
 - Mount the cable lugs **directly** on the tinned output strips followed by a washer, a split washer and a nut (see fig. 4 - 1). Always in this order!
 - Never place washers between the lugs and the strips because this can result in excessive heat!
 - Only use nuts and washers supplied with the unit.
- Switch on unit.
- Disable the Keylock function, see next paragraph 2) .
- Check the unit is not in Remote CV or Remote CC (LED's for this function should be off). Press the REMOTE/LOCAL button until both LED's are off.
- Turn on the output by pressing the OUTPUT ON/OFF button.
- Turn both the CV and CC potentiometer a few turns clockwise. A voltage should now be present on the output.
- By pressing the DISPLAY CV/CC SETTING button the meters will show the setting of the CV and CC potentiometer.
- By pressing the DISPLAY LIMITS button the voltmeter will show the setting of the CV-limit and the CC-limit potentiometer.
- Check that the cooling of the unit is not obstructed.

2) KEYLOCK

- If the function KEYLOCK is activated, it is no longer possible to operate the REMOTE/LOCAL button and the OUTPUT ON/OFF button. This function can be useful to protect the output from accidental shutdown. The function KEYLOCK does not influence the operating of the CV, CC, CV-limit and CC-limit potentiometers.
- **Units with digital encoders:**
For SM300-20 / SM600-10 and units with Option P220, also the digital encoders for CV and CC are disabled with the Keylock function. This means settings of the voltage and current do not change when the encoders are operated. It is still possible to operate the analog CV-limit and CC-limit potentiometers.
- **Activate Keylock:**
Pressing the buttons DISPLAY SETTINGS and DISPLAY LIMITS at the same time for more than 3 seconds, activates the function KEYLOCK. The moment this function is activated, the LED's for REMOTE CV / CC and for OUTPUT ON will blink a few times.
- **Disable Keylock:**
Pressing the same buttons again for 3 seconds, disables the Keylock function. The LED's for REMOTE CV / CC and for OUTPUT ON will blink again to indicate the new setting.

3) SELECT START-UP MODE

The below is only applicable for SM300-20 / SM600-10 and units with magnetic encoders - option P220.

- Setting switch SW1-5 at the rear panel in position DOWN, the unit will always start at 0V / 0A after mains switch on.
- Setting switch SW1-5 in position UP, the settings after mains



fig. 4 - 1

Low resistive cable connection by mounting the cables directly on the tinned output strips

Unit	Cables [mm2]	Bolts	Torque [Nm]
SM15-400	150	M12	80
SM30-200	70	M10	40
SM45-140	35	M10	40
SM60-100	35	M10	40
SM70-90	25	M10	40
SM120-50	10	M8	20
SM300-20	4	M8	20
SM600-10	2.5	M8	20

table 4 - 1

Cable diameters and torque

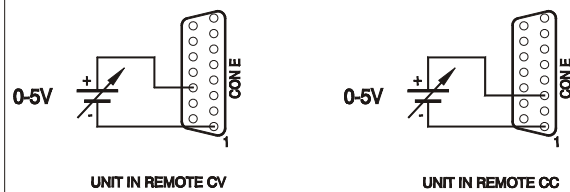


fig. 4 - 2

Programming by voltage:
left voltage -, right current programming

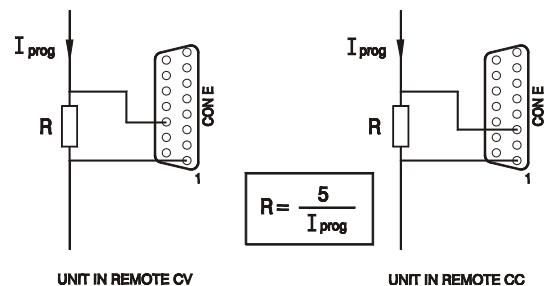


fig. 4 - 3

Programming by current
left voltage -, right current programming

8) **STATUS OUTPUTS**

- The status outputs have a separate Ø connection (pin 8) to avoid unwanted offsets in the programming. This pin is protected with a 650 mA self resetting fuse (F27_2 on P598).

9) **REMOTE SENSING**

- Remove the links on the SENSE BLOCK (on rear panel) and connect sense leads (thin **shielded** measuring wires) to S+ and S-. See fig 4 - 5 and fig. 4 - 6.
- With remote sensing the voltage on the load can be kept constant. The voltage drop in the load leads will be compensated. This feature is not recommended for normal use, because it can easily give problems.
- Max. 2 V per load lead can be compensated. Note that the voltage drop in the leads decreases the max. output voltage rating. In fig. 4 - 7 it can be seen that on a 15 V power supply only 11 V will be available on the load when 2x 2 V compensation is used.
- In order to prevent interference it is advisable to twist the sense leads. To minimize the inductance in the load leads keep the leads close to each other. The inductance of the loads leads could give a problem with pulsating loads. In this case a large electrolytic capacitor (Cd) in series with a damping resistor (Rd) both in parallel with the load will help (see fig. 4 - 6). Check that the capacitor Cd in combination with the load leads and resistor Rd forms a well damped circuit.
- Since the **voltmeter** is internally connected to the sensing terminals, it will automatically indicate the **voltage on the load**. Note that the voltage measured on the load will be lower than on the output terminals.
- The Over Voltage Limit measures the voltage on the output terminals, so the OVL setting should be increased by the total voltage drop in the load leads.

10) **BATTERY CHARGER**

- The CV / CC regulated power supplies are ideal battery chargers. Once the output is set at the correct voltage the battery will charge constantly without overcharging. This can be useful for emergency power systems.
- **Protective measures**
Use a CIRCUIT BREAKER in series in order to protect the power supply from **accidental reverse connection** (see fig. 4 - 8). The circuit breaker should have a DC voltage rating twice the battery voltage. Use the very fast type (Z), a type meant for protecting semiconductors (see table 4 - 2).
The unit has a reverse diode in parallel with the output, this diode and the wiring cannot withstand the thousands of amperes supplied by a wrongly connected battery.

11) **REMOTE SHUTDOWN**

- The Remote ShutDown can be operated on CON E by a voltage of +4 V...+12 V or by a relay contact between Vref and Remote ShutDown (pin 9 and 5) (see fig. 4 - 9).
- When the unit is programmed with an optional PSC, a software command can be used for Remote Shutdown.
- In the Remote ShutDown condition, the RSD LED will light. The DCF LED, DCF status and the DCF relay will be off.

Important: If the link from the Interlock connector (CON A) has been removed, the RSD LED will be on, but in this condition also the DCF LED, the DCF status and the DCF relay will be on.

12) **MASTER / SLAVE SERIES OPERATION**

- Connect output terminals and test system in **normal series** operation. Ensure that all (output) power connections are reliable.
- The voltage drop in the connecting leads between the units should be kept < 10 mV.
- Switch off all units. Connect units as shown in fig. 4 - 10. To connect the slaves with the master via CON B and CON C, use standard UTP cables (RJ45).
On all units put DIP switch 4 of SW1 in position DOWN to set the units in M/S series mode.

Suggested circuit breakers for protection power supply			
Model	Type number	Brand	Remarks
SM15-400	HTI102 B 100 2pcs. needed	GE	4 poles parallel
SM30-200	HTI102 B 100	GE	2 poles parallel
SM45-140	HTI102 B 100	GE	2 poles parallel extra parallel diode on output needed = OPTION 151
SM60-100	HTI101 B 100	GE	no remarks
SM70-90	HTI101 B 100	GE	no remarks
SM120-50	S281 UC-Z 50	ABB	extra parallel diode on output needed = OPTION 152
SM300-20	S282 UC-Z 20	ABB	2 poles in series extra parallel diodes on output needed = OPTION 153
SM600-10	FHL 3603013	Schneider Electric	2 poles in series extra parallel diodes on output needed

table 4 - 2 Circuit breakers for protection.

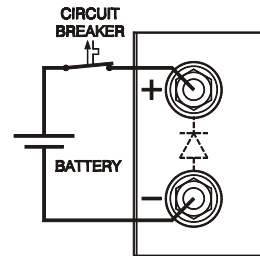


fig. 4 - 8

Charging battery with a circuit breaker in series

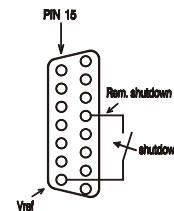


fig. 4 - 9 Remote ShutDown with switch

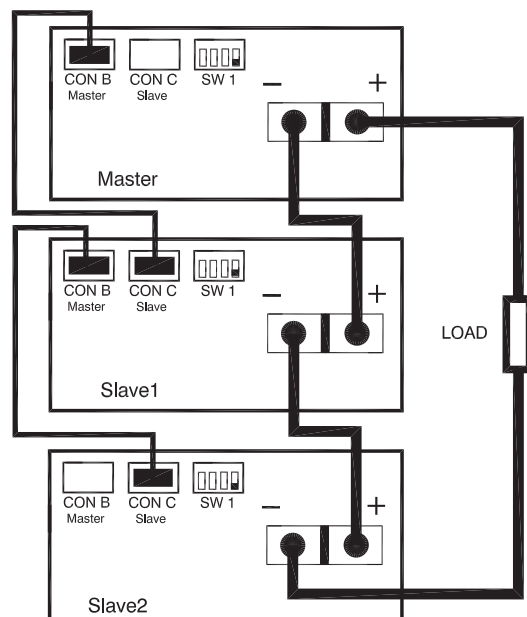


fig. 4 - 10

Master / Slave series connection

- After turning the units on again, the slaves will be in Remote CV mode and the Keylock (see previous paragraph 2) is activated. This is because the unit automatically detects the presence of the RJ45 connector in CON C (if this cable is connected to another unit).
If the RJ45 connector is removed from CON C when the unit is turned on, the output will shutdown to avoid accidental damage.
If the cable is inserted when the unit is turned on, the output shuts down, the unit changes to Remote CV / CC, the Keylock will be activated and the output will turn back on.
If DIP switch 4 of SW1 is operated when the unit is turned on, the output will shutdown to avoid accidental damage.
- The max. number of slaves is only limited by the maximum total voltage of 600 V (or 1200V for SM300-30 / SM600-10).

13) MASTER / SLAVE PARALLEL OPERATION

- **Note: Master / Slave parallel is not recommended for more than 3 units, consult factory for using more than 3 power supplies in parallel.**
- First connect output terminals and test system in **normal parallel** operation. Ensure that all power connections are reliable.
- Second, switch off all units. To connect the slaves with the master via CON B and CON C, use standard RJ45 connectors according to fig. 4 - 11.
On all units put DIP switch 4 of SW1 in position UP to set the units in M/S parallel mode. In this mode the DCF LED, DCF relay and DCF status on the slaves are disabled because the slaves are always in CC mode.
- After turning the units on again, the slaves will be in Remote CC mode and the Keylock (see previous paragraph 2) is activated. This is because the unit automatically detects the presence of the RJ45 connector in CON C (if this cable is connected to another unit).
If the RJ45 connector is removed from CON C when the unit is turned on, the output will shutdown to avoid accidental damage.
If the cable is inserted when the unit is turned on, the output shuts down, the unit changes to Remote CV / CC, the Keylock will be activated and the output will turn back on.
If DIP switch 4 of SW1 is operated when the unit is turned on, the output will shutdown to avoid accidental damage.
- Stack the units to create a minimum distance between the units. Keep the load close to the master.
Use copper strips (preferred) or short thick cables to connect the units. Make sure the strips are mounted with a minimum length to keep the voltage drop between a unit and the bus bar below 10 mV. Also keep the strips close to each other to have a low inductance.
Not following these instructions can cause instability.
- The S- and S+ could be connected to the load if desired, but this is not recommended because of the complexity and possible instability.

14) PARALLEL OPERATION OF FAST PROGRAMMING VERSIONS:

- Master / Slave operation is not recommended.
- Normal parallel operation can give problems, each combination has to be tested first in combination with the load.

15) MASTER / SLAVE MIXED SERIES / PARALLEL OPERATION

- For complex combinations as mixed series - parallel, always use a **MASTER / SLAVE SERIES ADAPTER**.
- See fig. 4 - 12 for an example of how to connect 2 units in series in parallel with 2 units in series, controlled by 1 master.
- Set the programming mode with the knob Remote / Local on the front panel. The serial slaves must be in Remote CV- and CC-mode. The parallel slave must be in Remote CC-mode and the CV-potmeter must be fully opened.
- Note: A Master / Slave combination can always be programmed, also with the **IEEE488/RS232** controller (**PSC-488 / PSC-232** (both δ -products)).

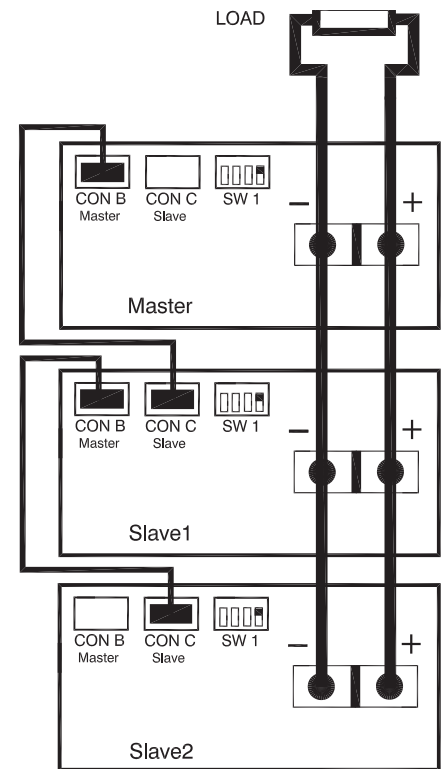


fig. 4 - 11

Master / Slave parallel connections

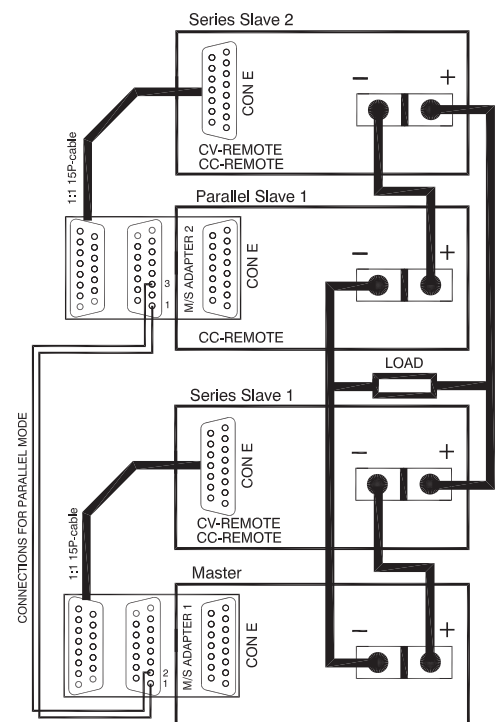


fig. 4 - 12

Master / Slave mixed series - parallel connections

OPERATING AND STORAGE CONDITIONS

1) TEMPERATURE

- The operating temperature range at full load is -20 to $+50$ °C. But this temperature range only holds when the AIR-INTAKE and AIR-OUTLET are unobstructed and the temperature of the AIR-INTAKE is not higher than $+50$ °C.
- **Please note: a lower temperature extends the life of the power supply.**
- When the power supply is **mounted in a cabinet** please note that the temperature of the AIR-INTAKE should be kept low and avoid a short circuit in the airflow i.e. the hot air leaving the AIR-OUTLET entering the AIR-INTAKE again.
- The storage temperature range is -40 to $+85$ °C.

2) HUMIDITY

- During normal operation humidity will not harm the power supply, provided the air is not aggressive. The heat normally produced in the power supply will keep it dry.
- **Condensation.**
Avoid condensation inside the power supply, break-down could be the result.
Condensation can occur during a period the power supply is switched off (or operating at no load) and the ambient temperature is increasing .
Always allow the power supply to dry before switching it on again.

3) GALVANIC INDUSTRY

- For using the power supplies in the galvanic industry it is strongly recommended to take precautions against an aggressive environment.
- An aggressive environment with acid, salt, etc. can harm the electronic components. Sometimes even the copper tracks on the printed circuit boards dissolve.
- To avoid problems, the power supplies should be mounted in a relatively clean room, or mounted in a cabinet receiving clean air with over pressure, or a cabinet with a heat exchanger.

MAINTENANCE

1) GENERAL

- The SM-series power supplies normally need no maintenance or calibration. Only care must be taken that the cooling of the unit is not obstructed.

2) COOLING FANS

- The built up of dust on the impeller of the fans and the heat sink fins depends on the environment. Since the fans have over-capacity dust will not present a problem very quickly.
- The internal construction of the power supply is such that no dust will reach the sensitive control circuitry, only the heat sinks in a tunnel will be cooled by forced air (see fig. 4 - 13)
- The thermal protection will shutdown the output in case of overheating, so no damage will be done to the power supply.
- It is advisable to inspect the fans and the heat sinks regularly.

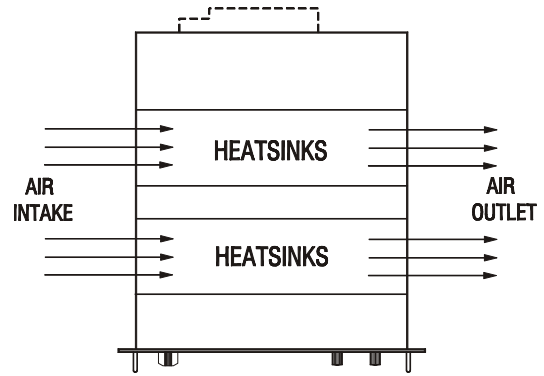


fig. 4 - 13

The fans blow through an internal tunnel, where the heatsinks are situated

TROUBLE SHOOTING

1) GENERAL

- In case you need assistance for repairing a unit, please contact our engineers using the address "Support@Delta-Elektronika.nl".
- In case you want us to repair the unit, please first fill out the RMA-form before sending the unit to us. Adding a detailed fault description will help us to repair the unit as soon as possible. On our website www.DeltaPowerSupplies.com the RMA-form can be found under 'Support'.

2) NO OUTPUT (manual control)

- Check the LED's 'Remote CV' and 'Remote CC' on the front panel, they should be off. Disable Keylock and press the REMOTE/LOCAL switch to turn both LED's off.
- The LED 'Output On' should be on. If this LED is off, disable Keylock and push the button 'OUTPUT ON/OFF'.
- Check the connections on the SENSE BLOCK (at rear panel), there should be a link between + and S+ and between - and S- (see fig. 4 - 16).
- Check if there is a link in the Interlock connector (if not, the RSD LED will be on).
- Set both the CV- and CC-limit potentiometer (at front panel) at maximum (fully clockwise).
- Turn both the CV and CC potentiometers a few turns clockwise. A voltage should be present on the output (for sm300-20 / sm600-10 and units with Option P220 first remove the Keylock function before the CV and CC knobs can be turned, see par. 2) in previous chapter "operating manual").
- Turn both the CV and CC potentiometers a few turns clockwise. A voltage should be present on the output.

3) PROGRAMMING DOES NOT WORK OK

- Check the unit is in Remote mode (Remote CV and/or Remote CC LED should be on).
- **The unit works OK in manual control**, but in programming mode the output voltage / current has a large error. Probably the fuse in series with Ø (pin 1) of programming connector tripped, the fuse (F27_1 = 650 mA) is a self-resetting type (see fig. 4 - 14).
- To check the fuse (F27_1) measure the voltage between Ø and the minus output, during the fault condition. The voltage should only be a few mV, a high voltage means that an unwanted current is flowing through pin 1 of the prog. connector. Please check why current is flowing through pin 1, see also next paragraph 4) and fig. 4 - 15.

4) PROGRAMMING OFFSETS

- **Unwanted offsets in the programming can be caused by earth loops.** Figure 4 - 15 shows a typical earthing problem. In case the load has a connection to earth and the programming source as well, problems could occur. Improper choice of the earthing point of the load can give a voltage drop of $\Delta V1$. Connecting the minus or zero to a separate earth connection can give a voltage drop of $\Delta V2$. Because the internal wires of the programming input are thin, the voltage drops $\Delta V1$ and $\Delta V2$ will be across the internal wiring as well. Resulting in an error voltage in series with the programming voltage.
- The best **solution** for this is to use a floating programming source, a floating load or the optional internal **ISO AMP CARD** (ø-product).

5) STATUS OUTPUTS FAIL

- Check fuse F27_2 in series with Ø (pin 8 of CON E), see fig. 4 - 14. To check the fuse measure the voltage between Ø and the minus output, a high voltage means too much current flowing through the fuse. F27_2 = 650 mA, self resetting.



fig. 4 - 14

Location of programming fuses on P598
P598 is situated directly behind the rear panel

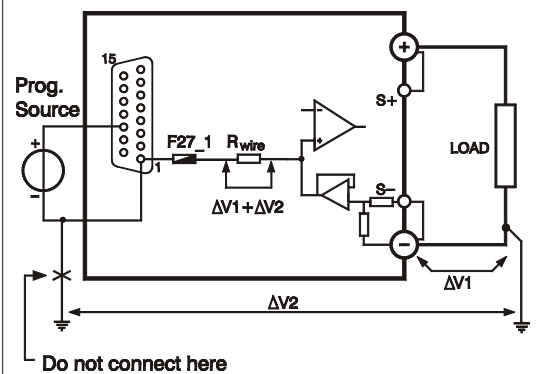


fig. 4 - 15

Unwanted programming offsets

6) MASTER / SLAVE PARALLEL PROBLEMS

- Check the voltage drop of the wiring between the master and the slaves is < 10 mV.
- Check the wiring has a low inductance.

7) OUTPUT VOLTAGE IS HIGHER THAN SET VALUE

- Check connections on SENSE BLOCK (on rear panel), For normal operation there should be a link between + and S+ and between – and S– (see also fig. 4 - 16). When remote sensing is used, check the wires of the sensing.

8) OT LED on

- The temperature of the internal heat sink is too high, the output has been shutdown to avoid overheating.
- Check if the cooling fans are running.
- Check if the air temperature of the air inlets (left) is below 50 °C and the airflow is not obstructed.

9) OT LED blinks

- The temperature of the internal heat sink is getting too high, a further increase will shutdown the power supply.
- Check if the cooling fans are running properly.
- Check if the air temperature of the air inlets (left) is below 50 °C and the airflow is not obstructed.

10) ACF LED on

- Phase Loss, check input.
- The input voltage is too low or was intermittent because of a bad connection. Disconnect the mains, wait a few minutes and try again.
As soon as the ACF LED lights, the settings for Remote CV, Remote CC and Keylock will be saved. If the unit turns back on, it will have the same settings. For the setting of Output On/Off after turning the unit back on, the position of DIP switch 2 on SW1 is determining.
If the ACF situation lasts a few seconds, the output will shutdown. The ACF problem has to be solved first, before the output can be turned on again.
- Internal error, send unit for repair. See previous paragraph 1).

11) DCF LED on

- The output voltage is below the set voltage. This automatically happens when the unit is in CC-mode (CC LED is on). Also with an interrupted Interlock connector, the DCF LED will be on.
- Internal error, send unit for repair. See previous paragraph 1).

12) PSOL LED on

- The Power Sink is in overload or the temperature of the Power Sink is too high. See datasheet of the Power Sink option for further details.

13) Blinking LEDs REMOTE CV, REMOTE CC and OUTPUT ON

- This indicates the Keylock function is activated, see previous paragraph 2) in "operating manual".

14) NO LEDS on

- Check input.
- Do not try to repair, but send for repair. See previous paragraph 1).

15) OTHER

- If the problem persists, please fill out the RMA-form on our website www.DeltaPowerSupplies.com. See also previous paragraph 1).

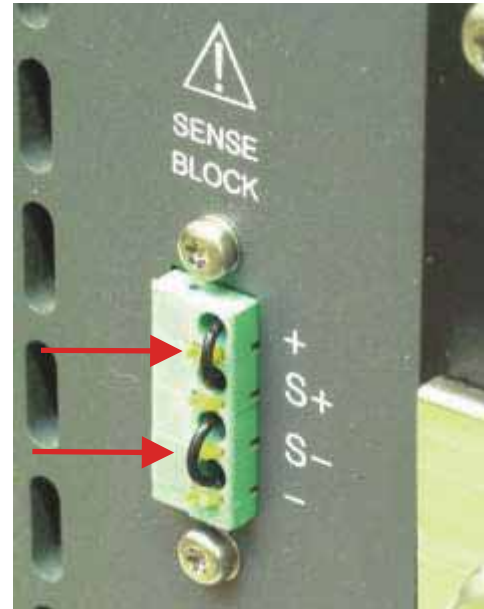


fig. 4 - 16

For normal operation links should be connected between S+ and + and between S– and –

CALIBRATION

1) GENERAL

- The power supplies are factory calibrated and normally need no further calibration. Only in special situations (for example after repairing a unit) calibration can be necessary.

2) METER CALIBRATION

- DIGITAL METERS**
The full scale indication can be calibrated with R25_31 and R25_36 on P596 (see fig. 4 - 17).

3) SPECIAL CALIBRATIONS

- The following calibrations must be done by qualified personnel only. Wrong calibration causes malfunction. These calibrations are only needed after special repairs.

Warning ! Damage caused by wrong calibration is not warranted.

- CALIBRATING THE CURRENT MONITOR OFFSET.**

With R26_73 on P597 the offset of the CC monitor voltage can be calibrated (see fig. 4 - 18). The unit has to be unloaded, the output voltage has to be turned off using the OUTPUT ON/OFF button. Measure the offset voltage of the CC monitor on the programming connector. Calibrate the offset on a negative value between -1 mV and zero mV.

Warning! wrong calibration can damage the unit.

- CALIBRATING MAX. CURRENT RANGE or CALIBRATING CC MONITOR FULL SCALE.**

Short the output using a low resistive cable. Measure the output current with an accurate shunt. The maximum output current can be calibrated with R26_41. R26_41 is located on P597 (see fig. 4 - 18).

Program CC input with exactly 5.00 V.

Set output voltage to a high value, ensuring the power supply is in CC mode. Calibrate the current with R26_41 exactly on the rated maximum current.

Warning! Wrong calibration can damage the unit.

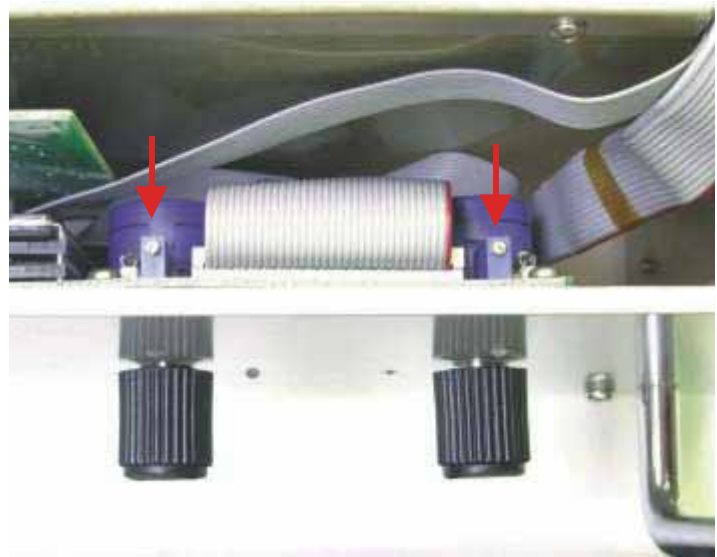


fig. 4 - 17

Meter calibration with 25-turn potmeters on P596

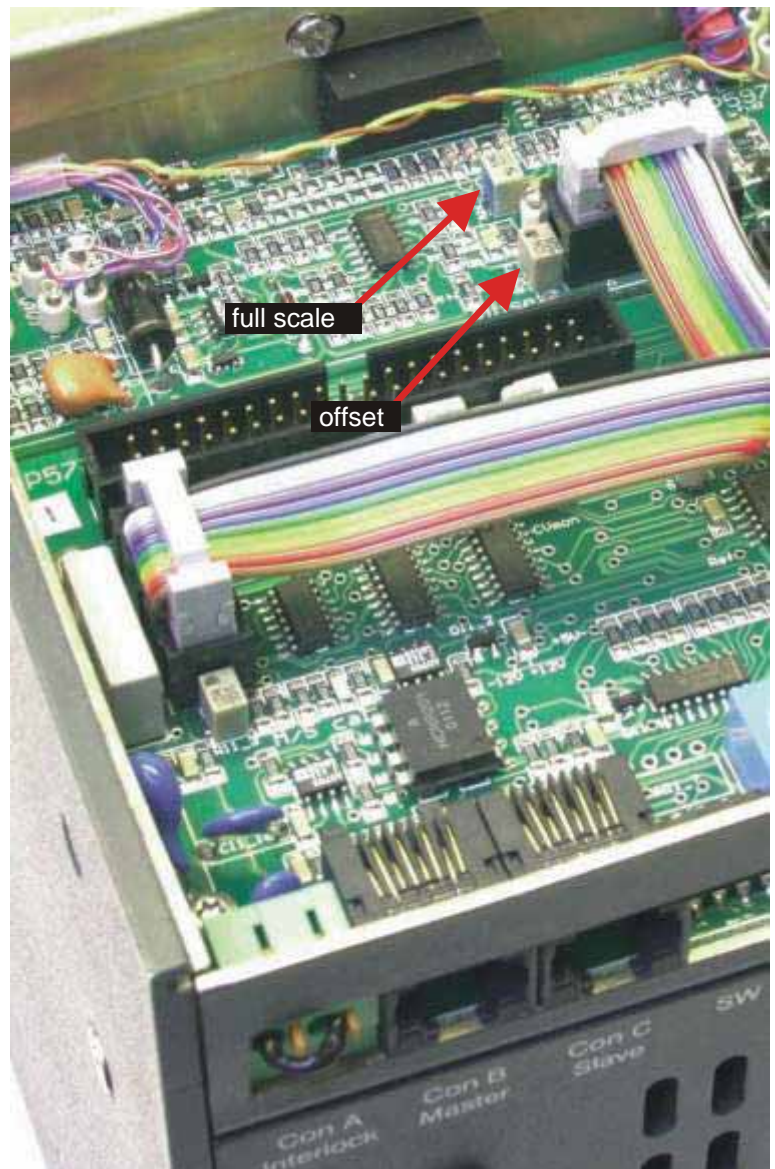


fig. 4 - 18

Calibrating max. current and offset on P597



EC Declaration of Conformity

We

Delta Elektronika
Vissersdijk 4
4301 ND ZIERIKZEE
The Netherlands

Declare under sole responsibility that the following Power Supplies:

SM 15-400
SM 30-200
SM 45-140
SM 60-100
SM 70-90
SM 120-50
SM 300-20
SM 600-10

Meet the intent of Directives 2004/108/EC for Electromagnetic Compatibility and Directives 2006/95/EC regarding Electrical Safety. (Low Voltage Directive)
Compliance was demonstrated to the following specification as listed in the official Journal of the European Communities:

EN 61000-6-3 Generic Emissions: (residential, light industrial)

EN 55022 Radiated and conducted, Class **B**
EN 61000-3-2 Power Harmonics
EN 61000-3-3 Voltage fluctuation and flicker

EN 61000-6-1 Generic Immunity: (residential, light industrial)

EN 61000-6-2 Generic Immunity: (industrial environment)

EN 61000-4-2 Electrostatic Discharge
EN 61000-4-3 Radiated electromagnetic fields
EN 61000-4-4 Electrical Fast Transients / Bursts
EN 61000-4-5 Surge on DC output
EN 61000-4-5 Surge on line input
EN 61000-4-6 RF common mode, conducted
EN 61000-4-11 Voltage variations and dips

EN 60950 Safety of IT equipment

EN 61010 Safety of electrical equipment for measurement, control and laboratory use

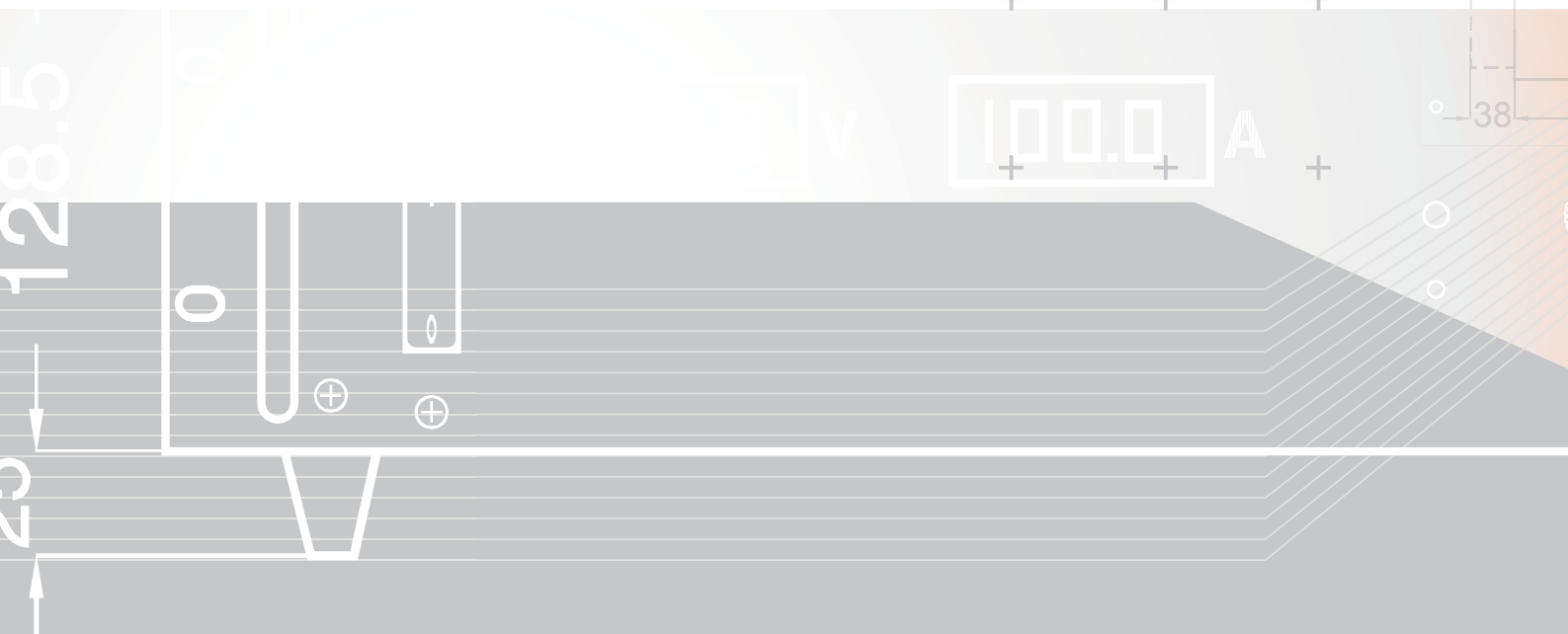
Managing director



DELTAELEKTRONIKA B.V.

Delta Elektronika B.V.
Vissersdijk 4
4301 ND Zierikzee
The Netherlands
Tel. +31 111 413656
Fax. +31 111 416919

www.deltapowersupplies.com



DC POWER SUPPLIES