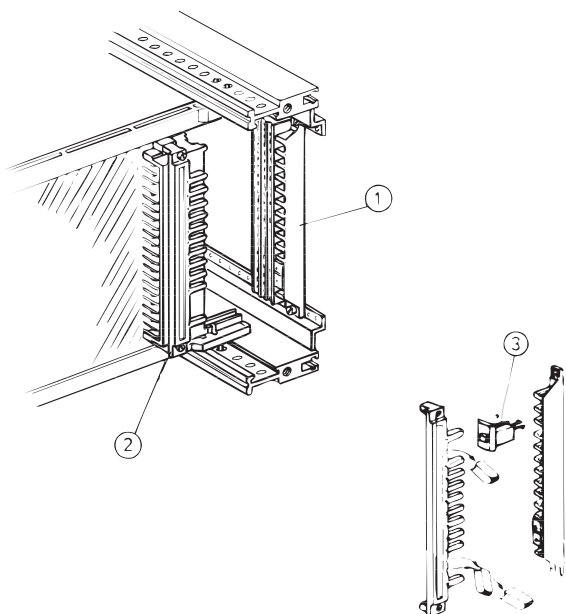


Accessories – Connectors

Keying/coding strips



A4-2424

- For all types in accordance with EN 60603 (DIN 41612)
- Used with plug-in units to prevent mix-up
- Space for plugs with keying/coding strip:
 - 4 HP for types B, C, D, F, H
 - 5 HP for types E, G
- 66 keying/coding possibilities when two coding pins are used
- 924 keying/coding possibilities when six coding pins are used

Order Information

Item	Description	Qty/PU	Part no.
1, 2, 3	Contact strip PBTP, UL 94 V-0, 10 pieces, female strip, PBTP, UL 94 V-0, 10 pieces, keying/coding pins, PBTP, UL 94 V-0, 20 pieces	1	20800-042
1, 2, 3	Spacer element for types E, G	20	20800-036
3	Keying/coding pin	100	20800-078
Assembly kit Screw M2.5 × 18, PU 100 pieces			21100-404

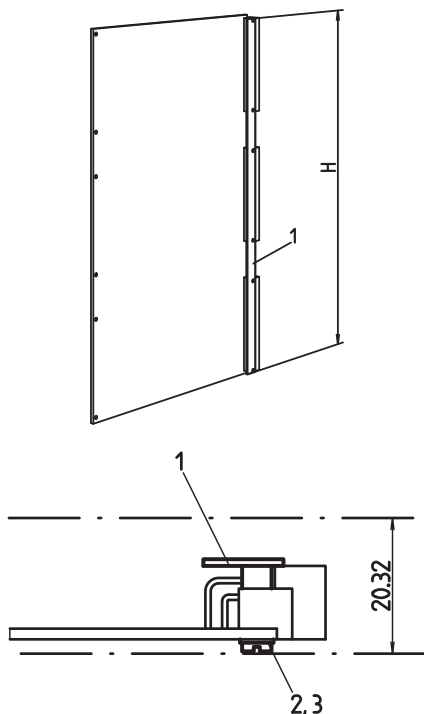
Note

- For connectors types E and G spacers are always required



For further information www.schroff.biz/oneclick
oneClick search code = Part no.

PCB strengthening (9 U)



LKA42609

LKA42593

- Protects large PCBs from bending
- Creates an additional crossbar (in accordance with IEEE recommendations, P 896, Nubus, Multibus® II etc.) that links all connectors
- Fixing points match connectors in accordance with EN 60603 (DIN 41612), types B, R, C and D

Delivery comprises (kit)

Item	Qty	Description
1	1	PCB strengthening, Al extrusion, anodised, cut edges plain; separator, stainless steel, riveted on
2	6	Cheesehead screw M 2,5 × 12, St, nickel-plated
3	6	Washer 2.6, St, nickel-plated

Order Information

Description	Height H mm	Part no.
For 9 U PCBs	361.6	20809-441



For further information www.schroff.biz/oneclick
oneClick search code = Part no.