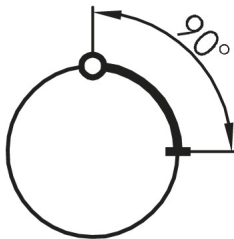
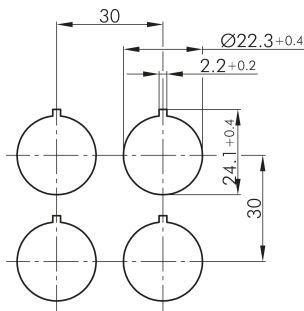
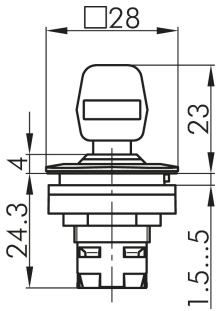




Key Actuator, maintained RQJSSA14

Description:
including two keys
other lock types on request



DESIGNPREIS
2007

NOMINIERT

Category:	Key Switches (momentary/maintained)
Series:	RONTRON-Q-JUWEL
Panel cut-out:	Ø 22.3 mm
Protection class:	II (protective insulation)
Degree of protection:	IP65
Switching function:	maintained action
Illumination:	No
With labelling option:	No
Colour:	silver-coloured
Component colour:	front bezel
Shape:	rounded square

Legend

■ = Switching position

> = Spring return

● = Key removable position