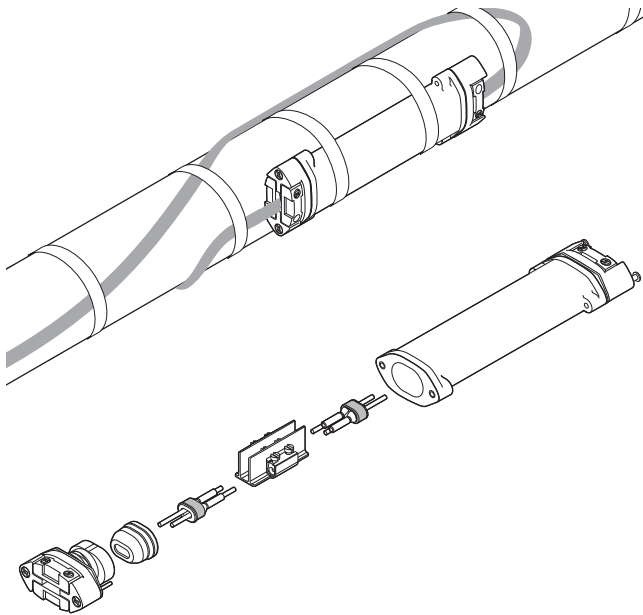


# Raychem S-150

## LOW-PROFILE SPLICE KIT



### PRODUCT OVERVIEW

The S-150 is a cold-applied, low-profile splice for in-line connection. It is designed for use with the following Raychem brand heating cables: BTV, QTVR, XTV, and KTV. Use the S-150 in applications with temperatures ranging from -60°F to 420°F (-50°C to 215°C). It is approved by FM, CSA and PTB for use in hazardous locations.

The unique design of the S-150 suits the demanding requirements of the industrial environment. The low-profile housing can be installed on pipes and other surfaces. Spring-loaded grommets make a first seal to maintain a watertight connection, while the noncuring silicone-free sealant used in the Raychem cold-applied core sealers add a second seal, providing additional protection.

The rugged construction makes it resistant to impact and suitable for high-temperature and chemical exposure.

The splice requires no heat source for installation, and it is re-enterable, making maintenance fast and easy. Each kit contains all the necessary materials to do one in-line splice connection.

### DESCRIPTION

Cold-applied in-line splice kit for use with BTV, QTVR, XTV, and KTV heating cables

### KIT CONTENTS

- 1 splice housing
- 2 sealing grommet assemblies
- 2 core sealers
- 1 spacer including screw terminals
- 1 identification label

### APPROVALS

#### Hazardous Locations



Class I, Div. 2, Groups A, B, C, D  
Class II, Div. 2, Groups F, G  
Class III



II 2G Ex e II  
II 2D Ex tD A21 IP66  
PTB 09 ATEX 1068U



CLI, ZN2, AEx e II T<sup>(1)</sup>



09-IEEx-0004X  
Ex e IIC T\* Gb

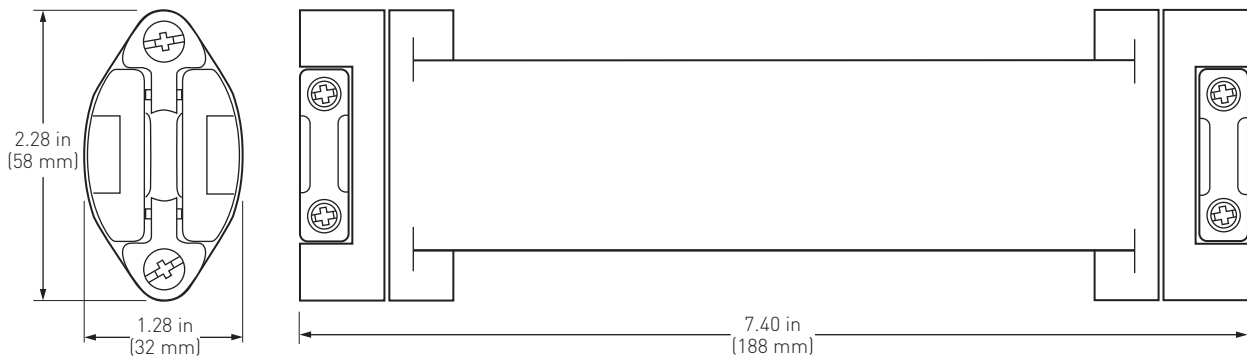


Ex e II T<sup>(1)</sup>



IECEX PTB 09.0043U  
Ex e IIC Gb  
Ex tD A21 IP66

<sup>(1)</sup> For T-rating, see heating cable or design documentation

**DIMENSIONS****PRODUCT SPECIFICATIONS**

Heating cable capability	BTV-CR, BTV-CT, QTVR-CT, XTV-CT, KTV-CT
Ingress protection	NEMA 4X (IP66)
Minimum installation temperature	-40°F (-40°C)
Minimum usage temperature	-60°F (-50°C)
Maximum pipe temperature	420°F (215°C)
Connection method	Screw terminals
Maximum operating voltage	277 Vac for FM, CSA 254 Vac for PTB
Maximum circuit breaker rating	50 A for FM, CSA 40 A for PTB

**MATERIALS OF CONSTRUCTION**

Enclosure, end plate, and shim	Engineered polymer, black
Sealing grommet	Silicone rubber
Screws, compression spring, reinforcement plate	Stainless steel
Terminals	Nickel-plated brass, stainless steel, zinc-plated steel

**ORDERING DETAILS**

Catalog number	S-150
Part number	497537-000
Weight	0.8 lb (0.4 kg)



[WWW.PENTAIRTHERMAL.COM](http://WWW.PENTAIRTHERMAL.COM)

**NORTH AMERICA**

Tel: +1.800.545.6258  
Fax: +1.800.527.5703  
Tel: +1.650.216.1526  
Fax: +1.650.474.7711  
[thermal.info@pentair.com](mailto:thermal.info@pentair.com)

**EUROPE, MIDDLE EAST, AFRICA**

Tel: +32.16.213.511  
Fax: +32.16.213.603  
[thermal.info@pentair.com](mailto:thermal.info@pentair.com)

**ASIA PACIFIC**

Tel: +86.21.2412.1688  
Fax: +86.21.5426.2917  
[cn.thermal.info@pentair.com](mailto:cn.thermal.info@pentair.com)

**LATIN AMERICA**

Tel: +1.713.868.4800  
Fax: +1.713.868.2333  
[thermal.info@pentair.com](mailto:thermal.info@pentair.com)

Pentair, BTV, QTVR, XTV, and KTV are owned by Pentair or its global affiliates. All other trademarks are the property of their respective owners. Pentair reserves the right to change specifications without prior notice.

© 2001–2013 Pentair.