

TYPE: RS-223-4C

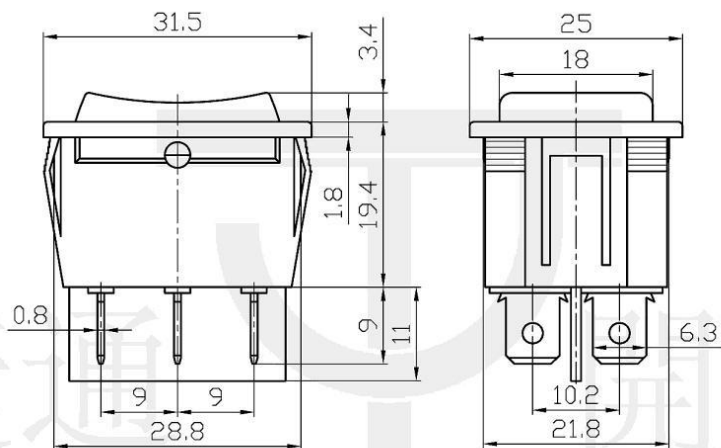
Cap marking



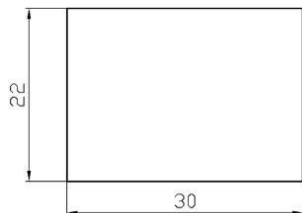
SPECIFICATIONS

Contact Type: DPDT
Rating: 35A 12V DC
Contact R: 35mΩ max
Insulation R: 500V DC 100MΩ min
Dielectric Strength: 1 Minute 1500V AC
Operating Temperature: -25°C ~ +85°C
Electrical Life: 10,000 Cycles

Outline Drawing



Mounting



Circuitry

