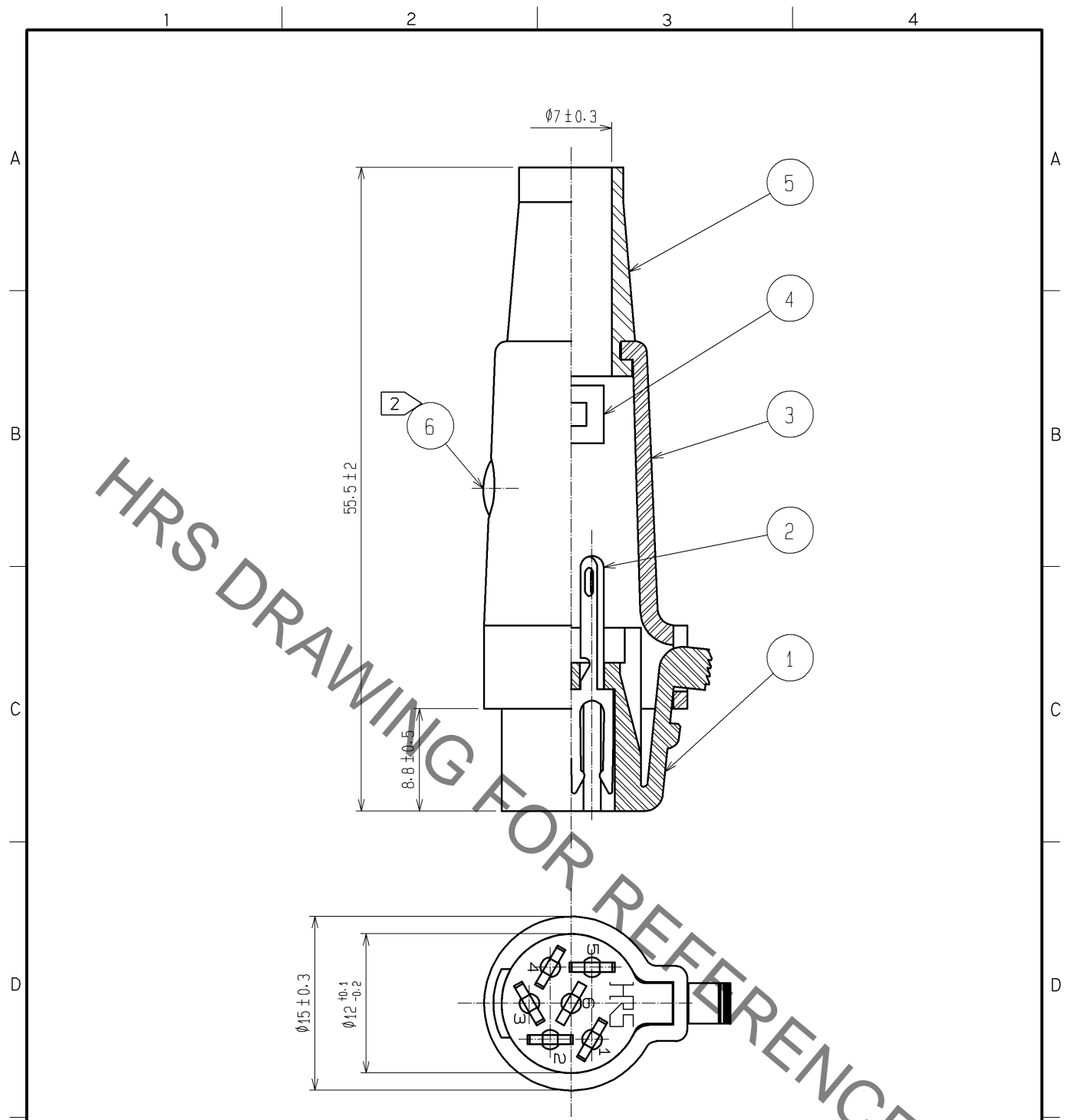


Apr.1.2020 Copyright 2020 HIROSE ELECTRIC CO., LTD. All Rights Reserved.  
 In case of consideration for using Automotive equipment / device which demand high reliability, kindly contact our sales window correspondents.



- NOTES: ① (注1削除)  
 ② THE RECOMMENDED CLAMP TORQUE OF REF. No. ⑥ : 0.3 TO 0.4 N · m.  
 ③ LOCTITE 243, HENKEL JAPAN OR EQUIVALENT IS RECOMMENDED TO PREVENT REF. No. ⑥ FROM LOOSENING.  
 ④ THE CABLE PULL AND TWISTING STRENGTH AND OTHER CHARACTERISTICS MAY DIFFER, DEPENDING ON THE CABLE STRUCTURE. PLEASE CONFIRM BEFORE THE USE.

3	POLYACETAL	(GRAY) ①	6	BRASS	NICKEL PLATING
2	PHOSPHOR BRONZE	SILVER PLATING 4 μm min.	5	POLYVINYLCHLORIDE	(GRAY)
1	POLYACETAL	(GRAY) ①	4	BRASS	NICKEL PLATING
NO.	MATERIAL	FINISH , REMARKS	NO.	MATERIAL	FINISH , REMARKS

UNITS mm		SCALE 2 : 1	COUNT ① 4	DESCRIPTION OF REVISIONS DIS-C-003328	DESIGNED WR. AJIRO	CHECKED EJ. KUNII	DATE 14. 08. 01
<b>HRS</b> HIROSE ELECTRIC CO., LTD. APPROVED : EJ. KUNII 12. 03. 23 CHECKED : HY. KISHI 12. 03. 23 DESIGNED : DS. MATSUNE 12. 03. 22 DRAWN : TR. SATO 12. 03. 21				DRAWING NO. EDC4-005902-71 PART NO. RPC1-12P-6S(71) CODE NO. CL113-0001-8-71			