


Power Rocker Switches / ILLUMINATED

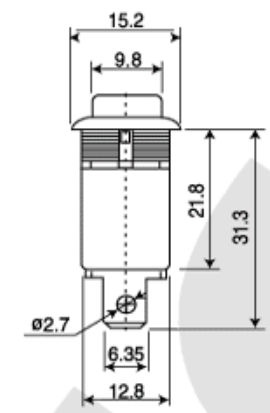
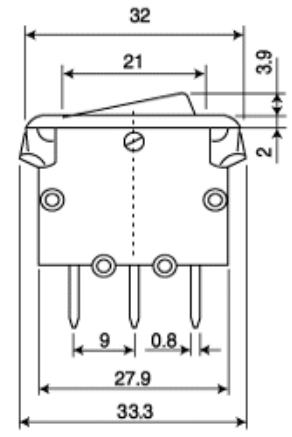
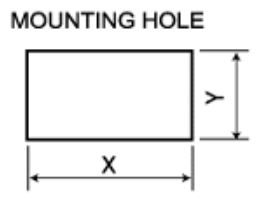


NEW M1 Series



Two in One W/ Circuit Breaker

PANEL THICKNESS	DIM. X	DIM. Y
0.75 ~ 1.25	28.5 ~ 28.6	13.5 ~ 13.6
1.25 ~ 2.00	28.6 ~ 28.7	13.5 ~ 13.6
2.00 ~ 3.00	28.8 ~ 28.9	13.5 ~ 13.6

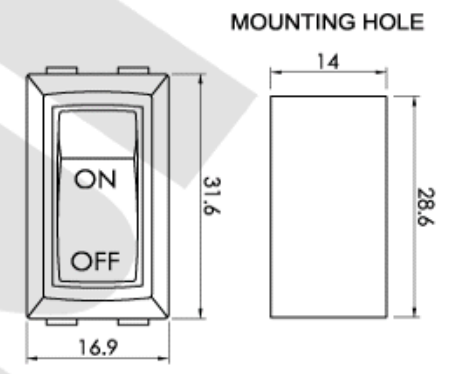
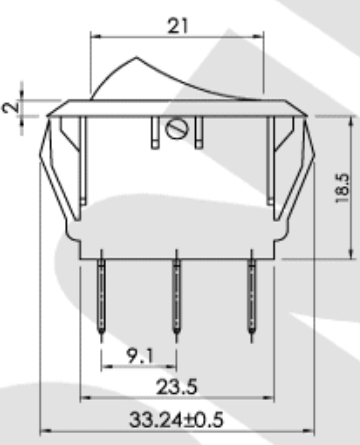
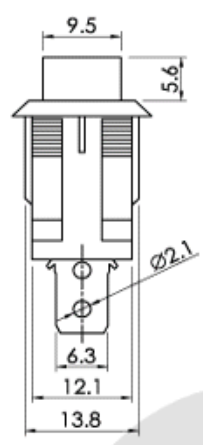


RL1-5 Series



15A 125V AC
10A 250V AC

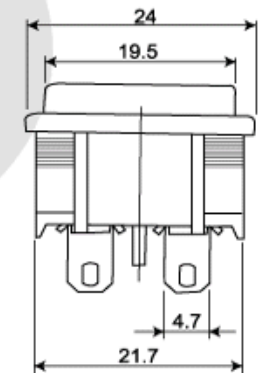
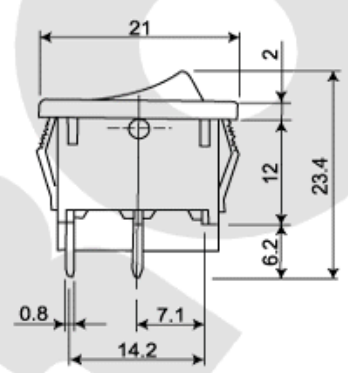
MODEL NO.	TYPE
RL1-5A	SPST ON OFF
RL1-5B	SPDT ON ON
RL1-5C	SPDT ON OFF ON
RL1-5D	SPST (ON) OFF
RL1-5E	SPST ON (OFF)
RL1-5F	SPST (ON) ON
RL1-5H	SPDT (ON) OFF ON
RL1-5L	SPST Illuminated



NEW 606P Series



MODEL NO.	TYPE
RS-606PA	DPST ON OFF
RS-606PB	DPDT ON ON
RS-606PC	DPDT ON OFF ON
RS-606PD	DPST (ON) OFF
RS-606PE	DPST ON (OFF)
RS-606PF	DPDT (ON) ON
RS-606PAL	DPST Illuminated
R13-33H	DPDT ON OFF (ON)



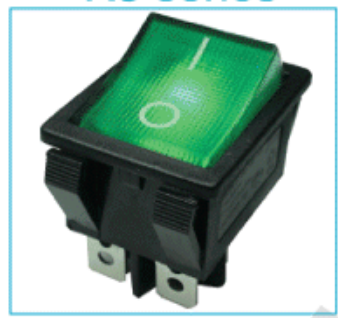
606P SEAL CAP



RS-606P: 6A 250V AC | R13-33I | DPDT (ON) OFF (ON)
 ※ SS24: 16A 250V AC

MOUNTING HOLE : 22 x 19.4mm

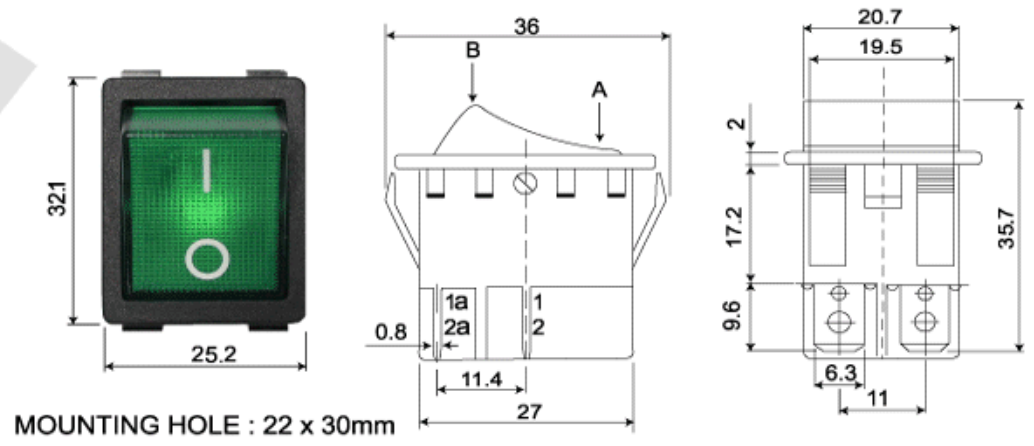
R5 series



Standard:
 16A 250V AC
 20A 125V AC

※ High Rating:
 R519, R599
 25A 250V AC

MODEL NO.	TYPE
R515	DPST ON OFF
※ R519	DPST ON OFF (25A 250V AC)
R525	DPDT ON ON
R535	DPDT ON OFF ON
R545	DPDT ON (ON)
R555	DPST OFF (ON)
R565	DPDT (ON) OFF (ON)
R575	DPDT ON (OFF)
R585	DPDT ON OFF (ON)
R595	DPST Illuminated
※ R599	DPST Illuminated (25A 250V AC)



HOW TO ORDER

MODEL NO. + HOUSING COLOR + ROCKER COLOR or LAMP COLOR + MARKING + TERMINAL TYPE + LAMP VOLTAGE + LAMP COLOR

B : BLACK
 W : WHITE
 G : GRAY

B : BLACK
 W : WHITE
 G : GRAY
 R : RED
 Y : YELLOW
 GN : GREEN

R : RED
 Y : YELLOW
 GN : GREEN

O A B C D
 E F G H

T
 S

□ : NO LAMP
 1 : 125V AC
 2 : 250V AC
 3 : 12V DC
 4 : 24V DC

※ For R495□□□□□□□□
 Dot Illuminated only
 { R : RED
 Y : YELLOW
 GN : GREEN

SWITRONIC

TEL : 886-2-27290229
 FAX : 886-2-27582086

B6

URL : www.switronic.com.tw
 E-Mail : switches@ms36.hinet.net