

R2E225-BD92-09

# AC centrifugal fan

backward curved, single inlet



**ebm-papst Mulfingen GmbH & Co. KG**

Bachmühle 2

74673 Mulfingen

Phone: +49 7938 81-0

Fax: +49 7938 81-110

[www.ebmpapst.com](http://www.ebmpapst.com)

[info1@de.ebmpapst.com](mailto:info1@de.ebmpapst.com)

## Nominal data

|                               |                      |      |      |
|-------------------------------|----------------------|------|------|
| Type                          | R2E225-BD92-09       |      |      |
| Motor                         | M2E068-DF            |      |      |
| Nominal voltage               | [V]                  | 230  | 230  |
| Frequency                     | [Hz]                 | 50   | 60   |
| Valid for approval / standard |                      | CE   | CE   |
| Speed                         | [min <sup>-1</sup> ] | 2650 | 2950 |
| Power input                   | [W]                  | 135  | 200  |
| Current draw                  | [A]                  | 0.6  | 0.88 |
| Motor capacitor               | [μF]                 | 4    | 4    |
| Capacitor voltage             | [VDB]                | 450  | 450  |
| Air flow                      | [m <sup>3</sup> /h]  | 1200 | 1340 |
| Back pressure                 | [Pa]                 | 0    | 0    |
| Sound pressure level          | [dB(A)]              | 69   | 71   |

ml = max. load · me = max. efficiency · rfa = running at free air · cs = customer specs · cu = customer unit  
Subject to alterations

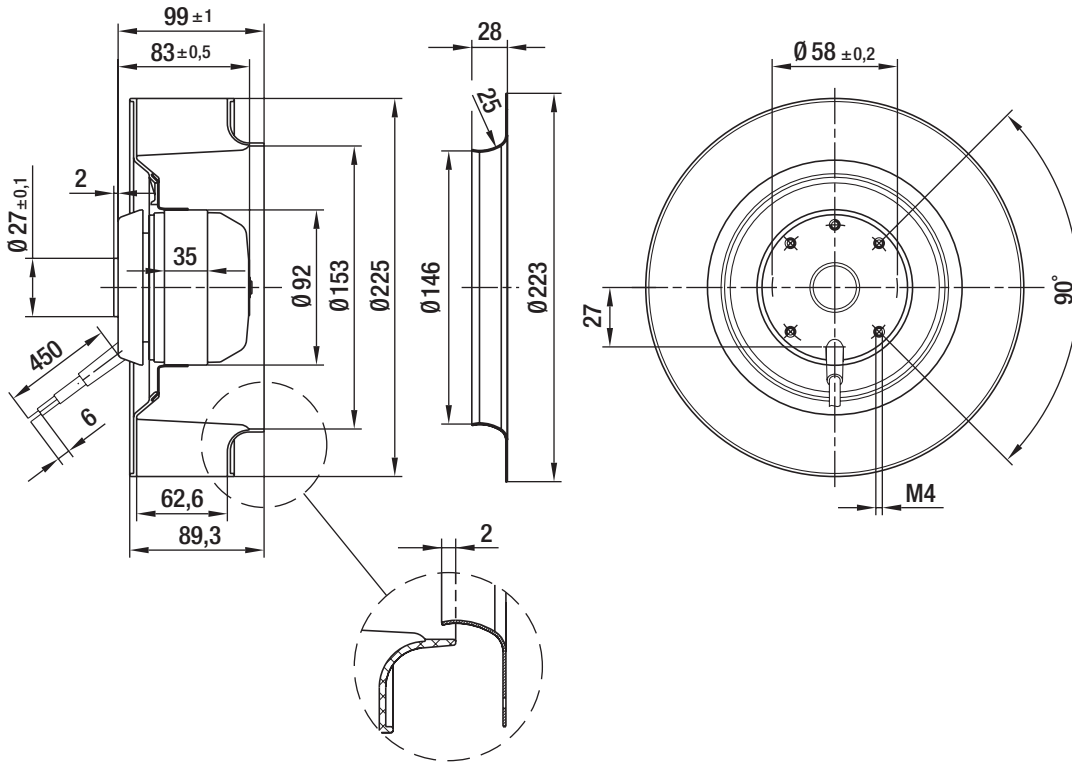
## Technical features

|  |   |
|--|---|
| <b>Size</b>                            | 225 mm  |
| <b>Operation mode</b>                  | Continuous operation (S1)                         |
| <b>Direction of rotation</b>           | Clockwise, seen on rotor                          |
| <b>Insulation class</b>                | "F"   |
| <b>Cable exit</b>                      | Variable  |
| <b>Bearing-motor</b>                   | Ball bearing                                      |
| <b>Mass</b>                            | 2.1 kg  |
| <b>Material of electronics housing</b> | Rotor: Coated in black                            |
| <b>Material of impeller</b>            | PA plastic 6.6, fiberglass-reinforced             |
| <b>Motor protection</b>                | Thermal overload protector (TOP) wired internally |
| <b>Product conforming to standard</b>  | CE  |
| <b>Number of blades</b>                | 7   |
| <b>Type of protection</b>              | IP 44   |
| <b>Protection class</b>                | I   |
| <b>Approval</b>                        | CCC   |

# AC centrifugal fan

backward curved, single inlet

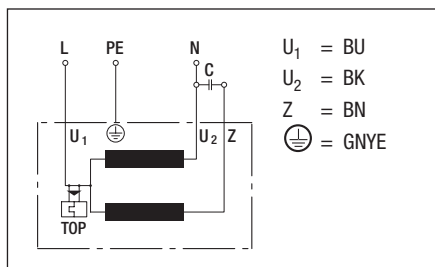
## Product drawing



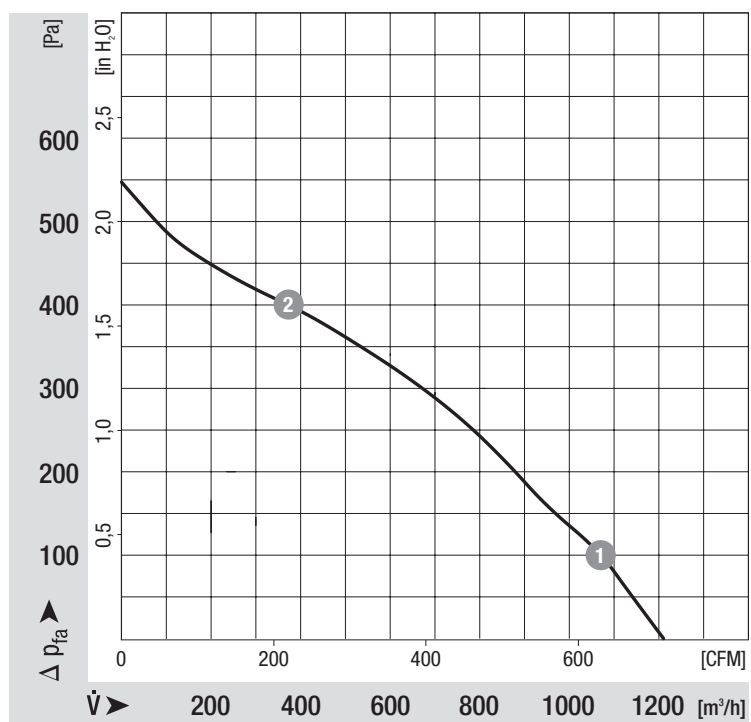
# AC centrifugal fan

backward curved, single inlet

## Connection screen



## Charts: Air flow 50 Hz



|   | n                    | P <sub>1</sub> | I    |
|---|----------------------|----------------|------|
|   | [min <sup>-1</sup> ] | [W]            | [A]  |
| 1 | 2610                 | 146            | 0.66 |
| 2 | 2650                 | 138            | 0.61 |

## Charts: Air flow 60 Hz

