

# R19 Series Rocker Switches / ILLUMINATED

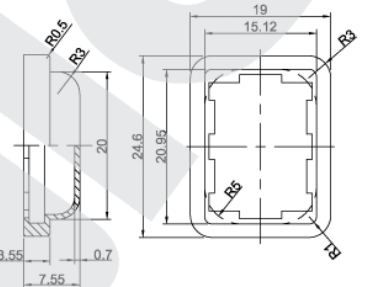


- R19** : 6A 250V AC.  
 12A 125V AC.  
 16A 250V AC.  
 21A 125V AC.
- SS21**: 12A 125/250V AC. (CSA)  
 10A 125/250V AC. (UL)  
 12(4)A 250V~T85. (VDE, ENEC10)

## SPECIFICATION:

Rating: 6A 250V AC (Standard), 12A 250V AC.  
 Contacts gap: >3mm.  
 Contact resistance: <20mΩ. (initial)  
 Insulation resistance: >1,000MΩ.  
 Withstand voltage: >1,500V DC for 1 minute.  
 Mechanical life: >30,000 Cycles.  
 Electrical life: >10,000 Cycles.

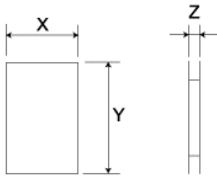
## R19 SEAL CAP



## MATERIALS:

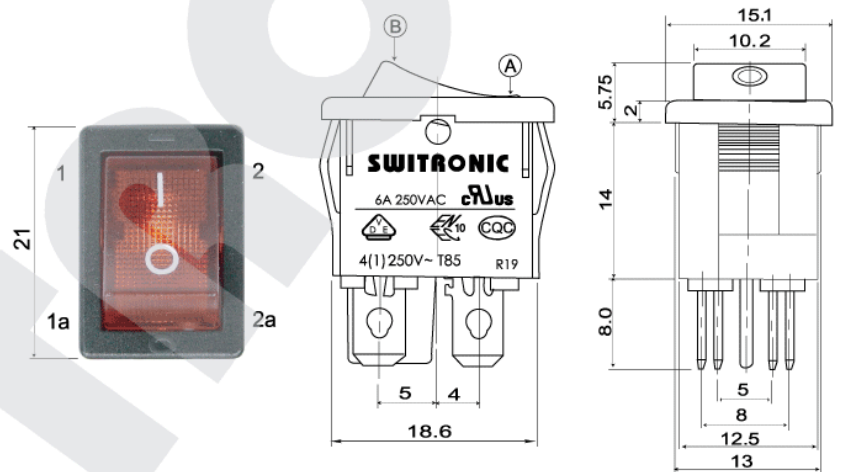
Body: Nylon 66.  
 Rocker: PC or Nylon 66.  
 Contact surface: Alloy contact point, Silver plated.  
 Illuminated rockers: 125V/250V Neon Lamp, 24V 12V 9V 6V Bulb.  
 Terminal: Brass, Silver plated.

## MOUNTING HOLE

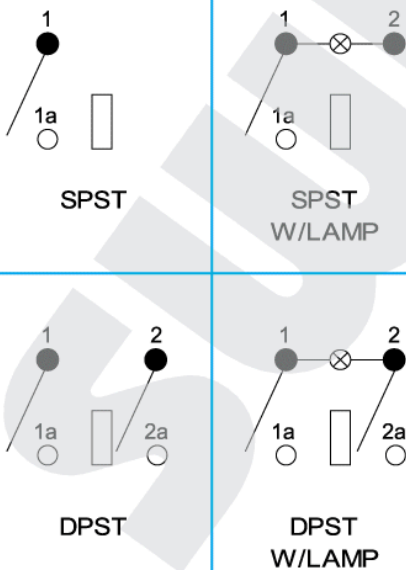


Z	X	Y
0.70 ~ 1.25	12.9 ~ 13.1	19.2 ~ 19.3
1.25 ~ 2.00	12.9 ~ 13.1	19.3 ~ 19.4
2.00 ~ 3.00	12.9 ~ 13.1	19.5 ~ 19.6

- R19-20BBBT ( 6A 250V / 12A 125V AC DPST )**  
**R19-20IBRBT2 ( W / RED LAMP, 6A 250V / 12A 125V AC, DPST )**  
**SS21BBBT ( 12A 250V AC, DPST )**



## SCHEMATIC



- R19-00IBGBT2 ( 6A 250V / 12A 125V AC, W / GREEN LAMP, SPST )**  
**SS21BBBTS ( 12A 250V AC, SPST )**

