

QG series

QG40-KAXY-0,5E-AI-K

Acceleration sensor 2 axis horizontal mounting

Output
4 - 20 mA

Supply voltage
10 - 30V dc

Measuring range
 $\pm 0,5 G$



QG40-KAXY-0,5E-AI-K

Housing
Dimensions
Mounting
Ingress Protection (IEC 60529)
Relative humidity
Weight
Supply voltage
Polarity protection
Current consumption
Operating temperature
Storage temperature
Measuring range
Centering function
Frequency response (-3dB)
Accuracy
Offset error
Non linearity
Sensitivity error
Resolution
Temperature coefficient
Max mechanical shock
Output
Output load
Short circuit protection
Response time

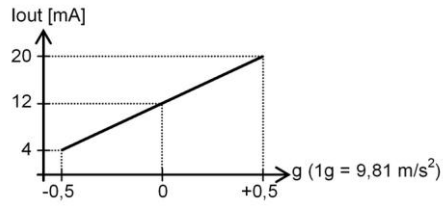
General specifications v20150317

Plastic injection molded housing (Quadro40, PBTP black)
40x40x25 mm
2x M3x25 mm zinc plated steel pozidrive screws included
IP67
0 - 95% non condensing
ca 45 gr (excl cable)
10 - 30V dc
Yes
≤ 10 mA (excluding output signal)
-25 .. +85°C
-25 .. +85°C
$\pm 0,5 G$
No
0 - 100 Hz (± 25 Hz)
overall 0,02g typ. (offset excluded)
$\pm 0,05$ g
$< \pm 0,02$ g
$< \pm 2,5\%$
0,001 g
$\pm 0,3$ mg/K typ.
3.500g
4 - 20 mA
Rload $\leq (50 \cdot V_s - 300)$ (Ω) (Eg: $V_s = 24$ V: Rload $\leq 900 \Omega$)
Yes (max 10 s)
$< 1,5$ ms

QG40-KAXY-0,5E-AI-K

$I_{out} = 12 + 16 \cdot g$ [mA]

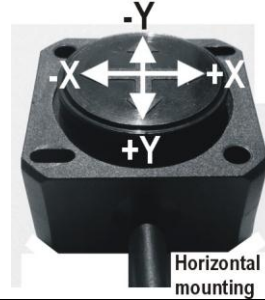
Transfer characteristic



QG40-KAXY-0,5E-AI-K

The default 0° position is when the sensor is mounted horizontally and no acceleration is applied.

Measurement orientation



QG40-KAXY-0,5E-AI-K

Connection

Wire / pin coding

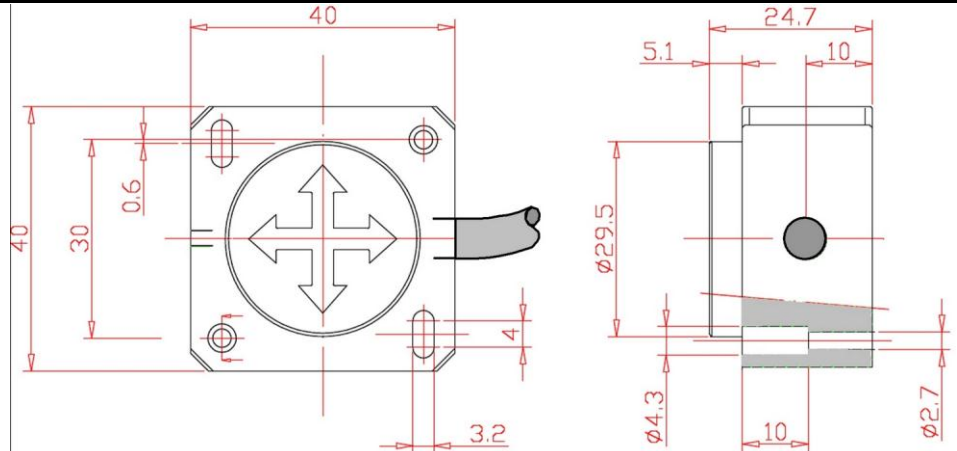
Connectivity

2 m PVC/PVC Liyy, black Ø 4,6 mm, wires: 4x0,25 mm² Sensor colors (static usage)

Brown	+ Supply Voltage
Blue	Gnd
Black	Output X
White	Output Y

QG40-KAXY-0,5E-AI-K

Mechanical dimensions (indicative only)



QG40-KAXY-0,5E-AI-K