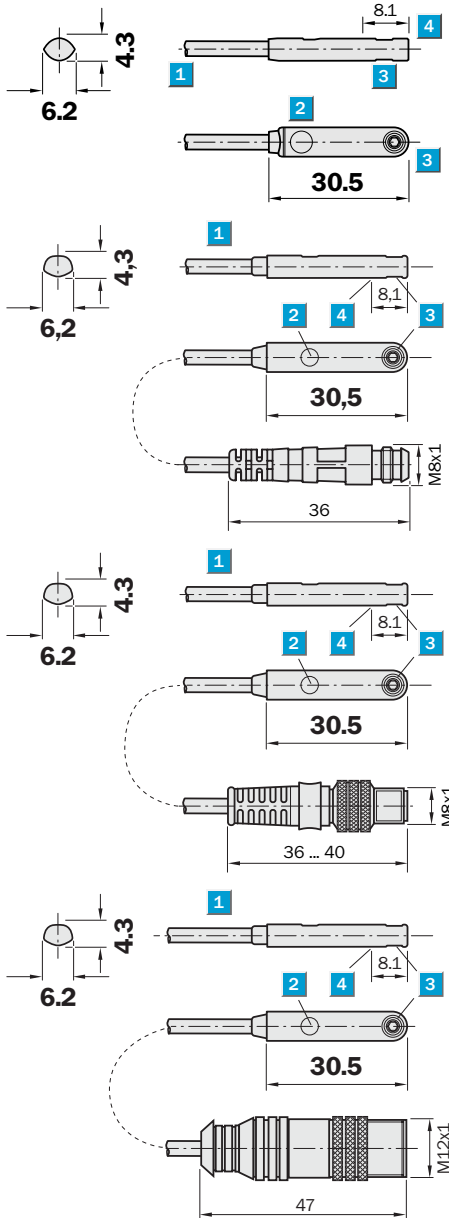


- Mountable from the top
- For all common used T-slot cylinder e.g. Festo, SMC
- Connection cable or connector on cable
- LED status indicator
- Magneto-resistive element
- IP 67



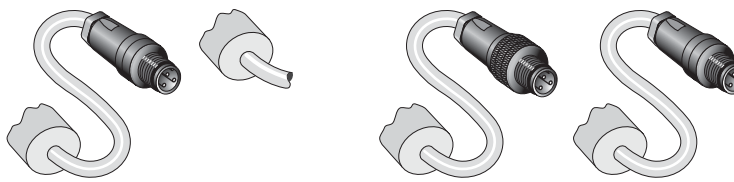
Dimensional drawing



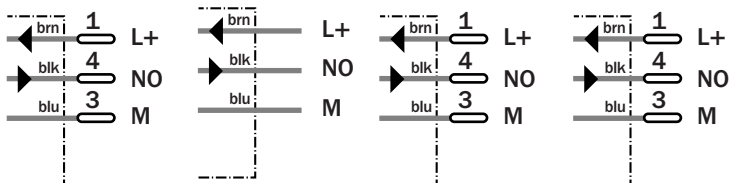
- 1 Connection
- 2 Display LED
- 3 Mounting screw
- 4 Position sensor element

Connection type

MZT1-03VNS-KPO	MZT1-03VNS-KUO	MZT1-03VPS-KRO	MZT1-03VPS-KQD
MZT1-03VPS-KPO	MZT1-03VPS-KUB		MZT1-03VPS-KQO
	MZT1-03VPS-KW0		



M8, 3-pin 3 x 0.14 mm² M8, 3-pin, w. kn. scr. M12, 3-pin



Accessories
Connector, M12, 4-pin
Connector, M8, 3-pin
Mounting systems

Technical specifications		MZT1-	03VNS-KPO	03VNS-KUO	03VPS-KPO	03VPS-KQD	03VPS-KQO	03VPS-KRO	03VPS-KUB	03VPS-KWO		
Sensing face	Front											
Electrical configuration	DC 3-wire											
Supply voltage V_s	DC 10 ... 30 V											
Response sensitivity	≤ 2.8 mT											
Ripple U_{pp}	≤ 10 % ¹⁾											
Voltage drop U_d	≤ 2 V ²⁾											
Power consumption	≤ 10 mA ³⁾											
Continuous current I_a	≤ 100 mA											
Time delay before availability t_v	≤ 2 ms											
Hysteresis H, of s_r	≤ 1.5 mm											
Repeatability R	≤ 0.1 mT (U_b and T_a constant)											
EMC	According to EN 60947-5-2											
Switching output	NPN											
	PNP											
Output function	Normally open											
Connection type	Cable with plug, M8, 3-pin, PUR, 0.23 m											
	Cable, PUR, 2 m											
	Cable with plug, M12, 3-pin, PUR, 0.5 m											
	Cable with plug, M12, 3-pin, PUR, 0.3 m											
	Cable with plug, M8, 3-pin, w. knurled screws, PUR, 0.5 m											
	Cable, PUR, 5 m											
	Cable, PVC, 2 m											
Enclosure rating	IP 67 ⁴⁾											
Max. switching frequency	5,000 Hz											
Wire-break protection	✓											
Short-circuit protection	✓ ⁵⁾											
Reverse polarity protection	✓											
Power-up pulse suppression	✓											
Shock/vibration stress	30 g, 11 ms/10 ... 55 Hz, 1 mm											
Ambient temperature T_a	-25 °C ... +75 °C											
Housing material	Plastic											

¹⁾ of U_b

²⁾ at I_a max

³⁾ without load

⁴⁾ according to EN 60529
⁵⁾ (pulsed)

Ordering information

Type	Part Number
MZT1-03VNS-KPO	1 017 851
MZT1-03VNS-KUO	1 023 009
MZT1-03VPS-KPO	1 016 910
MZT1-03VPS-KQD	1 029 649
MZT1-03VPS-KQO	1 022 188
MZT1-03VPS-KRO	1 019 005
MZT1-03VPS-KUB	1 018 999
MZT1-03VPS-KWO	1 016 809