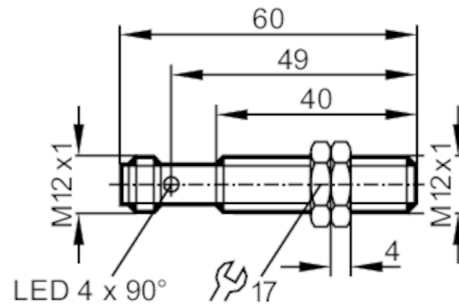


# MFS211



## Full-metal magnetic sensor

MFK3060-BPKG/AM/G/US



### Product characteristics

|                    |                                |
|--------------------|--------------------------------|
| Electrical design  | PNP                            |
| Output function    | normally open                  |
| Sensing range [mm] | 60; (referred to magnet M 4.0) |
| Housing            | threaded type                  |
| Dimensions [mm]    | M12 x 1 / L = 60               |

### Application

|                       |  |
|-----------------------|--|
| Special feature       | Gold-plated contacts; Full-metal housing |
| Pressure rating [bar] | 100                                      |

### Electrical data

|                             |            |
|-----------------------------|------------|
| Operating voltage [V]       | 10...30 DC |
| Current consumption [mA]    | < 10       |
| Protection class            | III        |
| Reverse polarity protection | yes        |

### Outputs

|  |               |
|--|---------------|
| Electrical design                                    | PNP           |
| Output function                                      | normally open |
| Max. voltage drop switching output DC [V]            | 2.5           |
| Permanent current rating of switching output DC [mA] | 200           |
| Switching frequency DC [Hz]                          | 5000          |
| Short-circuit protection                             | yes           |
| Overload protection                                  | yes           |

### Detection zone

|                           |                                |
|---------------------------|--------------------------------|
| Sensing range [mm]        | 60; (referred to magnet M 4.0) |
| Response sensitivity [mT] | 1.3                            |

### Accuracy / deviations

|                      |        |
|----------------------|--------|
| Hysteresis [% of Sr] | 1...10 |
|----------------------|--------|

### Operating conditions


|                          |              |
|--------------------------|--------------|
| Ambient temperature [°C] | -25...75     |
| Protection               | IP 65; IP 67 |

# MFS211



## Full-metal magnetic sensor

MFK3060-BPKG/AM/G/US

| Tests / approvals   |                           |   |
|---|---------------------------|---|
| EMC   | EN 61000-4-2 ESD          | 4 kV CD / 8 kV AD   |
|   | EN 61000-4-3 HF radiated  | 10 V/m  |
|   | EN 61000-4-4 Burst        | 2 kV  |
|   | EN 61000-4-5 Surge        | 0,5 kV line to line, Ri: 2 Ohm  |
|   | EN 61000-4-6 HF conducted | 10 V  |
|   | EN 55011 emission         | class B   |
|   | DIN ISO 11452-2           | 100 V/m   |
| MTTF  | [years]                   | 1401  |
| Mechanical data   |                           |   |
| Weight  | [g]                       | 28.1  |
| Housing   |                           | threaded type   |
| Dimensions  | [mm]                      | M12 x 1 / L = 60  |
| Thread designation  |                           | M12 x 1   |
| Materials   |                           | housing: stainless steel (1.4404 / 316L); sensing face: stainless steel (1.4404 / 316L); lock nuts: brass |
| Full-metal housing  |                           | yes   |
| Displays / operating elements   |                           |   |
| Display   | switching status          | 4 x 90° LED, yellow   |
| Accessories   |                           |   |
| Accessories (supplied)  |                           | lock nuts: 2  |
| Remarks   |                           |   |
| Pack quantity   |                           | 1 pcs.  |
| Electrical connection - plug  |                           |   |
| Connector: 1 x M12; Moulded body: PA; Contacts: gold-plated                         |                           |   |
|  |                           |   |

# MFS211

## Full-metal magnetic sensor

MF3060-BPKG/AM/G/US



### Connection

