
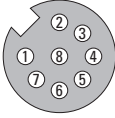
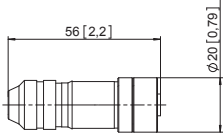


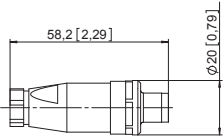

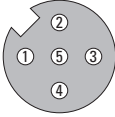
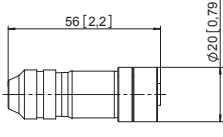


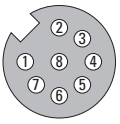
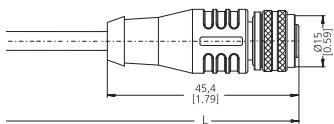

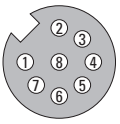
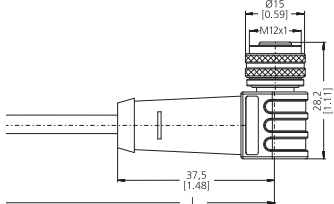

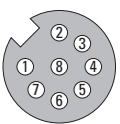
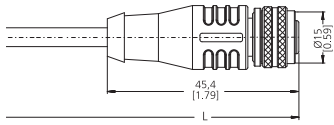

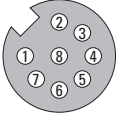
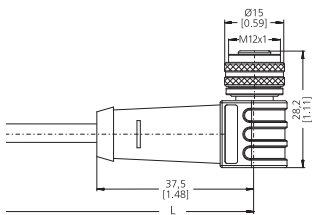
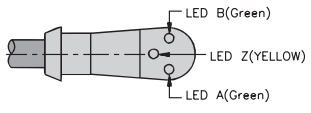


Connection Technology

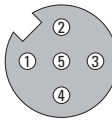
M12 connection technology		Incremental, SSI, Analogue	Connectors, self-assembly	Order No.
8-pin				
Female connector with coupling nut straight, IP67 Housing: metal		A coded, screw connections, for cable \varnothing 6 ... 8 mm [0.24 ... 0.32"]	suitable for our incremental and SSI series: 3610 / 3620 F3653 / F3673 5000 / 5020 5006 5814 / 5834 5821 5853 / 5873 5863 / 5883 58x4FSx 5876 A020 / A02H	05.CMB 8181-0
		 		
Male connector with external thread straight, IP67 Housing: metal		A coded, screw connections, for cable \varnothing 6 ... 8 mm [0.24 ... 0.32"]	suitable for: versions with cable outlet	05.CMBS 8181-0
		 		
5-pin				
Female connector with coupling nut straight, IP67 Housing: metal		A coded, screw connections, for cable \varnothing 6 ... 8 mm [0.24 ... 0.32"]	suitable for our analogue series: A50, B80, C120, D135, IS40, IS60 3651 / 3671	8.0000.5116.0000
		 		
Accessories		(Working temperature range -25°C ... +90°C)		Order No.
Securing clip for M12 connectors EX zone 2/22 Material: plastic		suitable for use in areas with combustible dust acc. to EN 50281-1-1		8.0000.5000.0006
				

Connection Technology

M12 connection technology		Incremental, SSI, Analogue	Cordsets, pre-assembled	Order No.																
With connector, 8-pin (Working temperature range -30°C ... +80°C)																				
<p>Female connector with coupling nut straight, IP67, single-ended</p> <p>Cable: PVC, 8 x 0.25 mm² [AWG23] Housing: metal / plastic</p> 	<p>A coded</p>  <p>1: WH 5: GY 2: BN 6: PK 3: GN 7: BU 4: YE 8: RD Shield on housing</p> 	<p>suitable for our incremental and SSI series:</p> <table border="0"> <tr> <td>3610 / 3620</td> <td>F3653 / F3673</td> </tr> <tr> <td>5000 / 5020</td> <td>5006</td> </tr> <tr> <td>5814 / 5834</td> <td>5821</td> </tr> <tr> <td>5853 / 5873</td> <td>5863 / 5883</td> </tr> <tr> <td>58x4FSx</td> <td>5876</td> </tr> <tr> <td>A020 / A02H</td> <td></td> </tr> </table>	3610 / 3620	F3653 / F3673	5000 / 5020	5006	5814 / 5834	5821	5853 / 5873	5863 / 5883	58x4FSx	5876	A020 / A02H		<p><i>Cable length</i></p> <table border="0"> <tr> <td>2 m [6.56']</td> </tr> <tr> <td>5 m [16.40']</td> </tr> <tr> <td>10 m [32.81']</td> </tr> <tr> <td>15 m [49.21']</td> </tr> </table>	2 m [6.56']	5 m [16.40']	10 m [32.81']	15 m [49.21']	<p>05.00.6041.8211.002M 05.00.6041.8211.005M 05.00.6041.8211.010M 05.00.6041.8211.015M</p>
3610 / 3620	F3653 / F3673																			
5000 / 5020	5006																			
5814 / 5834	5821																			
5853 / 5873	5863 / 5883																			
58x4FSx	5876																			
A020 / A02H																				
2 m [6.56']																				
5 m [16.40']																				
10 m [32.81']																				
15 m [49.21']																				
<p>Female connector with coupling nut right-angle, IP67, single-ended</p> <p>Cable: PVC, 8 x 0.25 mm² [AWG23] Housing: metal / plastic</p> 	<p>A coded</p>  <p>1: WH 5: GY 2: BN 6: PK 3: GN 7: BU 4: YE 8: RD Shield on housing</p> 	<p>suitable for our incremental and SSI series:</p> <table border="0"> <tr> <td>3610 / 3620</td> <td>F3653 / F3673</td> </tr> <tr> <td>5000 / 5020</td> <td>5006</td> </tr> <tr> <td>5814 / 5834</td> <td>5821</td> </tr> <tr> <td>5853 / 5873</td> <td>5863 / 5883</td> </tr> <tr> <td>58x4FSx</td> <td>5876</td> </tr> <tr> <td>A020 / A02H</td> <td></td> </tr> </table>	3610 / 3620	F3653 / F3673	5000 / 5020	5006	5814 / 5834	5821	5853 / 5873	5863 / 5883	58x4FSx	5876	A020 / A02H		<p><i>Cable length</i></p> <table border="0"> <tr> <td>2 m [6.56']</td> </tr> <tr> <td>5 m [16.40']</td> </tr> <tr> <td>10 m [32.81']</td> </tr> <tr> <td>15 m [49.21']</td> </tr> </table>	2 m [6.56']	5 m [16.40']	10 m [32.81']	15 m [49.21']	<p>05.00.6041.8311.002M 05.00.6041.8311.005M 05.00.6041.8311.010M 05.00.6041.8311.015M</p>
3610 / 3620	F3653 / F3673																			
5000 / 5020	5006																			
5814 / 5834	5821																			
5853 / 5873	5863 / 5883																			
58x4FSx	5876																			
A020 / A02H																				
2 m [6.56']																				
5 m [16.40']																				
10 m [32.81']																				
15 m [49.21']																				
<p>Female connector with coupling nut straight, IP67, single-ended</p> <p>Cable: PVC, 8 x 0.25 mm² [AWG23] Housing: metal / plastic</p> 	<p>A coded</p>  <p>1: WH 5: GY 2: BN 6: PK 3: GN 7: BU 4: YE 8: RD Shield on housing</p> 	<p>suitable for our incremental and SSI series:</p> <table border="0"> <tr> <td>3610 / 3620</td> <td>F3653 / F3673</td> </tr> <tr> <td>5000 / 5020</td> <td>5006</td> </tr> <tr> <td>5814 / 5834</td> <td>5821</td> </tr> <tr> <td>5853 / 5873</td> <td>5863 / 5883</td> </tr> <tr> <td>58x4FSx</td> <td>5876</td> </tr> <tr> <td>A020 / A02H</td> <td></td> </tr> </table>	3610 / 3620	F3653 / F3673	5000 / 5020	5006	5814 / 5834	5821	5853 / 5873	5863 / 5883	58x4FSx	5876	A020 / A02H		<p><i>Cable length</i></p> <table border="0"> <tr> <td>2 m [6.56']</td> </tr> <tr> <td>5 m [16.40']</td> </tr> <tr> <td>10 m [32.81']</td> </tr> <tr> <td>15 m [49.21']</td> </tr> </table>	2 m [6.56']	5 m [16.40']	10 m [32.81']	15 m [49.21']	<p>05.00.6051.8211.002M 05.00.6051.8211.005M 05.00.6051.8211.010M 05.00.6051.8211.015M</p>
3610 / 3620	F3653 / F3673																			
5000 / 5020	5006																			
5814 / 5834	5821																			
5853 / 5873	5863 / 5883																			
58x4FSx	5876																			
A020 / A02H																				
2 m [6.56']																				
5 m [16.40']																				
10 m [32.81']																				
15 m [49.21']																				
<p>Female connector with coupling nut right-angle, IP67, single-ended with integrated control LEDs</p> <p>Cable: PVC, 8 x 0.25 mm² [AWG23] Housing: metal / plastic</p> 	<p>A coded</p>  <p>1: WH 5: PK 2: BN 6: GY 3: YE 7: RD 4: GN 8: BU Shield on housing</p>  	<p>suitable for our incremental and SSI series:</p> <table border="0"> <tr> <td>3610 / 3620</td> <td>5006</td> </tr> <tr> <td>5000 / 5020</td> <td>5821</td> </tr> <tr> <td>A020</td> <td>A02H</td> </tr> </table>	3610 / 3620	5006	5000 / 5020	5821	A020	A02H	<p><i>Cable length</i></p> <table border="0"> <tr> <td>2 m [6.56']</td> </tr> <tr> <td>4 m [13.12']</td> </tr> <tr> <td>6 m [19.69']</td> </tr> <tr> <td>10 m [32.81']</td> </tr> </table>	2 m [6.56']	4 m [13.12']	6 m [19.69']	10 m [32.81']	<p>05.E-WKC 8T-PX3-930-0002 05.E-WKC 8T-PX3-930-0004 05.E-WKC 8T-PX3-930-0006 05.E-WKC 8T-PX3-930-0010</p>						
3610 / 3620	5006																			
5000 / 5020	5821																			
A020	A02H																			
2 m [6.56']																				
4 m [13.12']																				
6 m [19.69']																				
10 m [32.81']																				

Connection Technology

M12 connection technology Incremental, SSI, Analog Cordsets, pre-assembled

With connector, 5-pin		(Working temperature range -30°C ... +80°C)			Order No.
Female connector with coupling nut straight, IP67, single-ended Cable: PVC, 5 x 0.25 mm ² [AWG23] Housing: metal / plastic		A coded  1: BN 4: BK 2: WH 5: GY 3: BU Shield on housing	suitable for our analogue series: A50 B80 C120 D135 IS40	Cable length 2 m [6.56'] 5 m [16.40'] 10 m [32.81'] 15 m [49.21']	05.00.6081.2211.002M 05.00.6081.2211.005M 05.00.6081.2211.010M 05.00.6081.2211.015M
