



Datasheet

Joystick control – part no LF60-3-10 (rev. A)

This control lever is one of several models developed and manufactured by **Lilaas AS**.

It has been tested according to our final test and final control procedures.

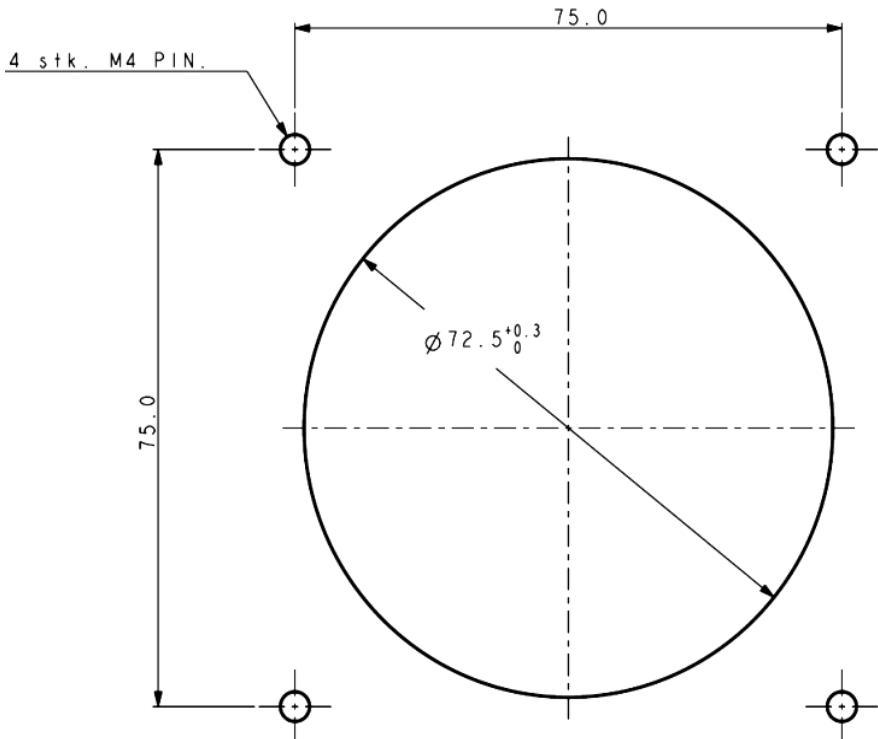
Specification details

| | |
|--|---|
| Materials | Steel A2, Al, POM |
| Finish | Alodine, powder coating |
| Appr. weight | 920g |
| Handle movement X: $\pm 28^\circ$ Y: $\pm 28^\circ$ Z: $\pm 90^\circ$ | Electrical movement X: 244° Y: 244° Z: 180° |
| Product certified by | DNV (Det Norske Veritas) |

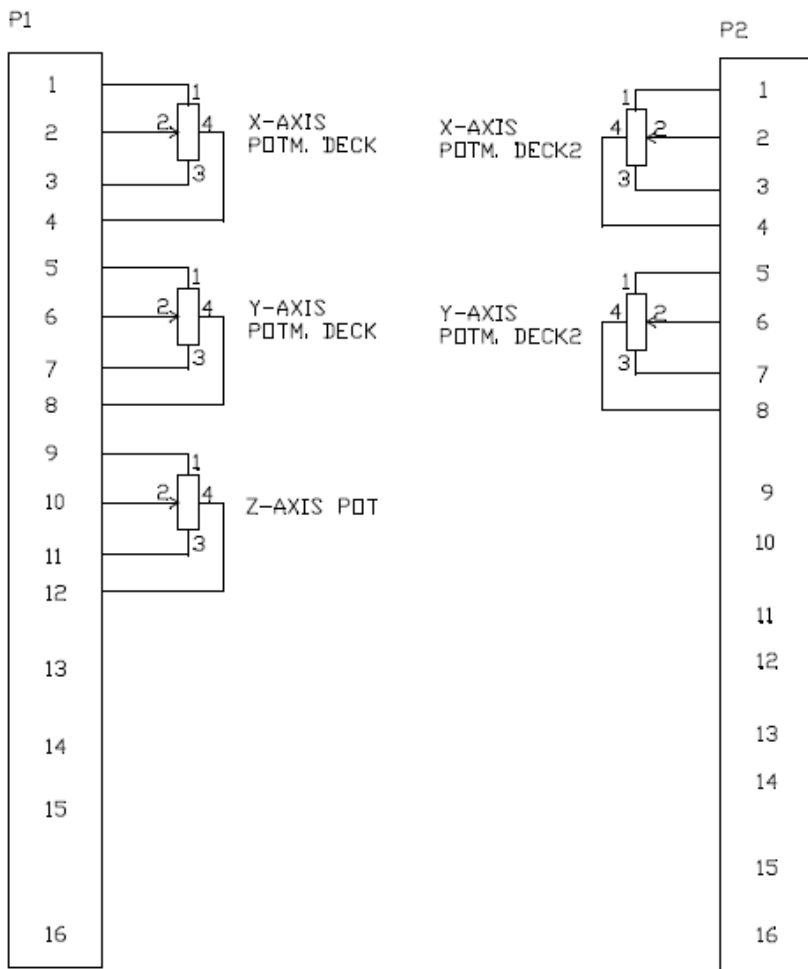
Spare parts

| | |
|-----------------------|-----------------------------|
| Handle | LF10863 |
| Bellow / bellow ring | LF10827 / LF10669 |
| Potentiometer Z / X+Y | 100800 (5K) / 102184 (2x5K) |
| Contact / Plug | 102688 / 102689 |

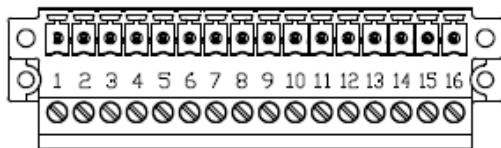
Cut-out (from drawing LF10867)



From wiring LF14620B



CONTACT MCVU 1,5/16-GFD-3,81



Lilaas AS, Kongeveien 75, P.O. Box 705, N-3196 Horten, Norway. Tel: +47 41 63 30 00

E-mail : sales@lilaas.no

service@lilaas.no

www.lilaas.no