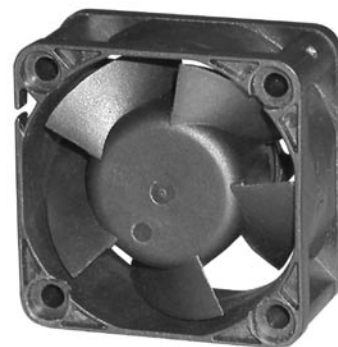


DC FAN

JAMICON®

40X40X20 mm

KF0420-01 Series



- **Frame** : Plastic Material UL 94V-0
- **Impeller** : Plastic Material UL 94V-0
- **Speed Range** : ±10%

SPECIFICATIONS

Model	Bearing	Rated Voltage (V)	Operating Voltage (V)	Air Flow (CFM)	Static Pressure (inchH ₂ O)	Speed (R.P.M.)	Input Current (Amp)	Input Power (Watt)	Nominal Power (Watt)	Noise (dBA)	Weight (g)		
KF0420B5H-01	Dual Ball	5	4.25~5.75	9.11	0.304	7500	0.23	1.15	1.3	32.0	24		
KF0420B5M-01				7.47	0.207	6200	0.15	0.75	0.8	27.1			
KF0420B5L-01				5.93	0.135	5000	0.09	0.45	0.6	23.2			
KF0420S5H-01	Sleeve			9.11	0.304	7500	0.23	1.15	1.3	32.0			
KF0420S5M-01				7.47	0.207	6200	0.15	0.75	0.8	27.1			
KF0420S5L-01				5.93	0.135	5000	0.09	0.45	0.6	23.2			
KF0420B1S-01	Dual Ball	12	10.2~13.8	10.21	0.392	8500	0.13	1.56	1.8	35.4			
KF0420B1H-01				9.11	0.304	7500	0.10	1.20	1.6	32.0			
KF0420B1M-01				7.47	0.207	6200	0.08	0.96	1.3	27.1			
KF0420B1L-01				5.93	0.135	5000	0.06	0.72	0.8	23.2			
KF0420S1H-01	Sleeve			9.11	0.304	7500	0.10	1.20	1.6	32.0			
KF0420S1M-01				7.47	0.207	6200	0.08	0.96	1.3	27.1			
KF0420S1L-01				5.93	0.135	5000	0.06	0.72	0.8	23.2			
KF0420B2S-01				Dual Ball	24	20.4~27.6	10.21	0.392	8500	0.09		2.16	2.6
KF0420B2H-01	9.11						0.304	7500	0.07	1.68		2.2	32.0
KF0420B2M-01	7.47						0.207	6200	0.05	1.20		1.7	27.1
KF0420B2L-01	5.93						0.135	5000	0.04	0.96		1.1	23.2
KF0420S2H-01	Sleeve						9.11	0.304	7500	0.07		1.68	2.2
KF0420S2M-01		7.47	0.207				6200	0.05	1.20	1.7		27.1	
KF0420S2L-01		5.93	0.135	5000			0.04	0.96	1.1	23.2			

Specifications subject to change without notice

