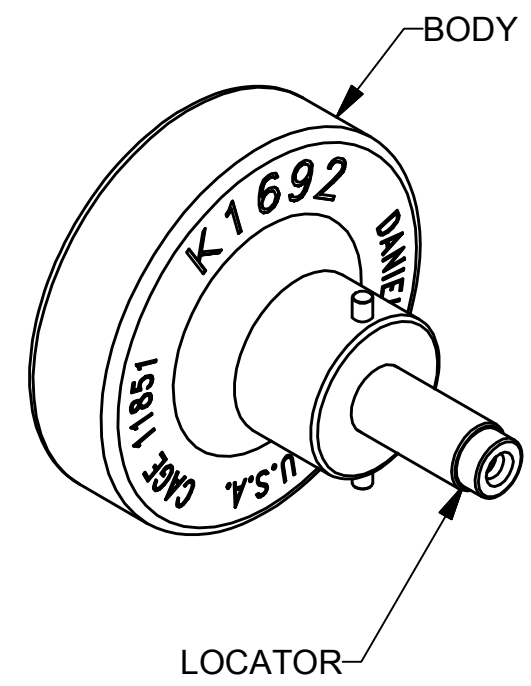
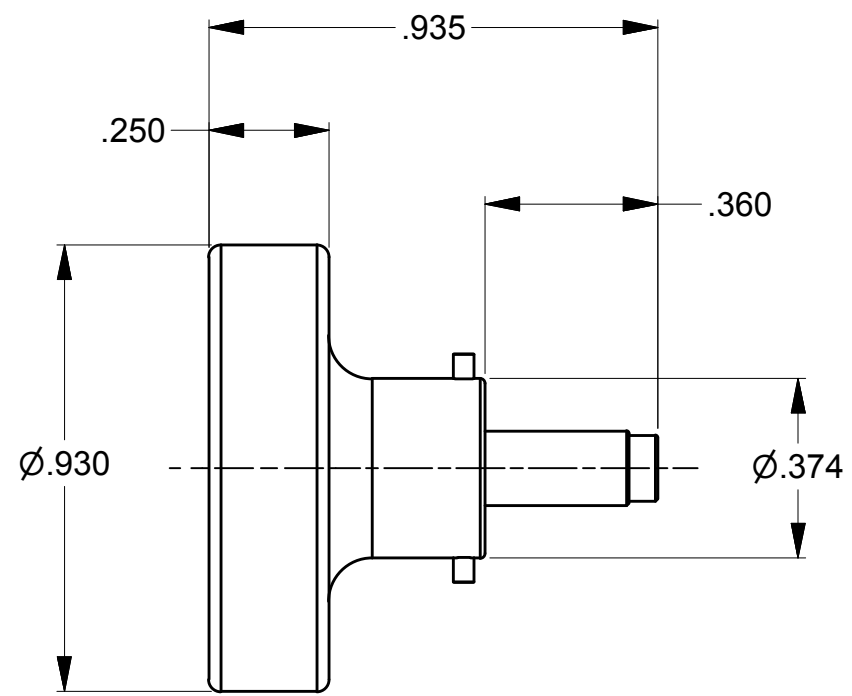
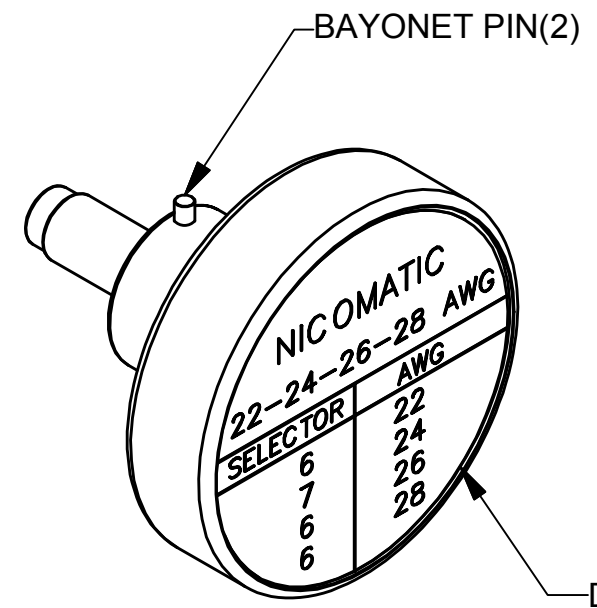


REVISIONS				
REV SYM	ECO NUMBER	DESCRIPTION	BY DATE	APPD DATE
1	20414	ORIGINAL RELEASE	TD 01-07-08	
2	23135	LOCATOR CHANGE	TD 10-25-13	



**UNCONTROLLED DOCUMENT  
WILL NOT BE UPDATED**

DIMENSIONS IN INCHES - UNLESS OTHERWISE SPECIFIED



NICOMATIC 22-24-26-28 AWG	
SELECTOR	AWG
6	22
7	24
6	26
6	28

LOCATOR	
HOLE DIMENSIONS	ADDITIONAL FEATURES
Ø.053	└┘Ø.059
▽.197	▽.040

<b>RESTRICTED &amp; CONFIDENTIAL</b> <small>CONFIDENTIAL PROPERTY OF DANIELS MANUFACTURING CORP. NOT TO BE DISCLOSED TO OTHERS, REPRODUCED OR USED FOR ANY OTHER PURPOSE EXCEPT AS AUTHORIZED IN WRITING BY DANIELS MANUFACTURING. MUST BE RETURNED TO DANIELS MANUFACTURING CORP. ON COMPLETION OF ORDER OR OTHER PURPOSE FOR WHICH LENT.</small>	MATERIAL	ITEM	PART No.	QTY.	DESCRIPTION/REMARKS
	HEAT TREAT	DRN. <i>Tony Dilworth</i>	DATE 01-07-08		<b>DMC</b> DANIELS MANUFACTURING CORP. ORLANDO, FLORIDA CAGE 11851
	FINISH	CHK'D.	DATE		
	<b>DO NOT SCALE DRAWING</b>		APP'D.	DATE	
					WHERE USED: AFM8
					SIZE: <b>B</b> SCALE: <b>2.5X</b> CAD P/N: K1692-ENV SHEET OF: <b>1 1</b>
					POSTING: P/N: K1692-ENV REV.: <b>2</b>

**NOTE:**  
THIS DRAWING IS AN OUTLINE DRAWING OF THE RESPECTIVE DMC PART NUMBER INDICATED. ACTUAL DMC PART NUMBER IS DRAWING NUMBER WITHOUT THE "-ENV" SUFFIX