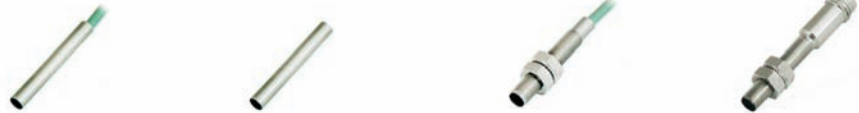


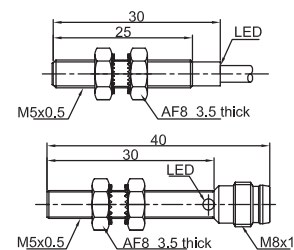
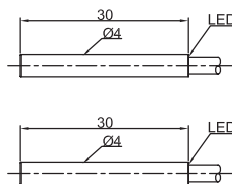
Item Code	LR04Q		LR05	
Mounting	● Flushed	● Flushed	● Flushed	● Flushed
Sensing distance	0.8 mm	0.8 mm	0.8 mm	0.8 mm



Output	NPN NO	LR04QAF08DNO	LR04QAF08DNO-E1	LR05AF08DNO	LR05AF08DNO-E1
	NPN NC	LR04QAF08DNC	LR04QAF08DNC-E1	LR05AF08DNC	LR05AF08DNC-E1
	NPN NO+NC				
Output	PNP NO	LR04QAF08DPO	LR04QAF08DPO-E1	LR05AF08DPO	LR05AF08DPO-E1
	PNP NC	LR04QAF08DPC	LR04QAF08DPC-E1	LR05AF08DPC	LR05AF08DPC-E1
	PNP NO+NC				

Technical Parameter				
Supply voltage	10...30 VDC	10...30 VDC	10...30 VDC	10...30 VDC
Temperature drift	< ±10%	< ±10%	< ±10%	< ±10%
Load current	<100mA	<100mA	<100mA	<100mA
Voltage drop	<2.5V	<2.5V	<2.5V	<2.5V
Consumption current	<10mA	<10mA	<10mA	<10mA
Hysteresis	1...20%	1...20%	1...20%	1...20%
Repeat accuracy	<3%	<3%	<3%	<3%
Frequency	2500Hz	2500Hz	2500Hz	2500Hz
Output indicator	Red LED	Red LED	Red LED	Red LED
Polarity protection	yes	yes	yes	yes
Surge protection	yes	yes	yes	yes
Short-circuit protection
Ambient temperature	-25...+70°C	-25...+70°C	-25...+70°C	-25...+70°C
Ambient moisture	35...95%	35...95%	35...95%	35...95%
Protection degree	IP67	IP67	IP67	IP67
Housing material	Stainless steel	Stainless steel	Stainless steel	Stainless steel
Connection	2m PUR Cable	M8 Connector	2m PUR Cable	M8 Connector
Certification	CE U _L	CE U _L	CE U _L	CE U _L

* Cable material and length can be customized



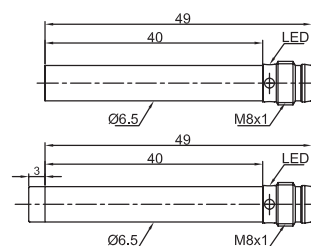
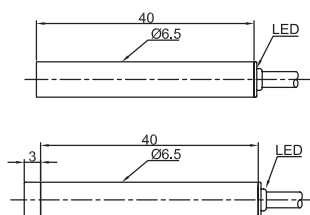
Item Code	LR6.5Q		LR6.5Q	
Mounting	● Flushed	◐ Non-flushed	● Flushed	◐ Non-flushed
Sensing distance	1.5 mm	2mm	1.5 mm	2mm



Output	NPN NO	LR6.5QBF15DNO	LR6.5QBN02DNO	LR6.5QBF15DNO-E1	LR6.5QBN02DNO-E1
	NPN NC	LR6.5QBF15DNC	LR6.5QBN02DNC	LR6.5QBF15DNC-E1	LR6.5QBN02DNC-E1
	NPN NO+NC				
Output	PNP NO	LR6.5QBF15DPO	LR6.5QBN02DPO	LR6.5QBF15DPO-E1	LR6.5QBN02DPO-E1
	PNP NC	LR6.5QBF15DPC	LR6.5QBN02DPC	LR6.5QBF15DPC-E1	LR6.5QBN02DPC-E1
	PNP NO+NC				

Technical Parameter				
Supply voltage	10...30 VDC	10...30 VDC	10...30 VDC	10...30 VDC
Temperature drift	< ±10%	< ±10%	< ±10%	< ±10%
Load current	<150mA	<150mA	<150mA	<150mA
Voltage drop	<2.5V	<2.5V	<2.5V	<2.5V
Consumption current	<10mA	<10mA	<10mA	<10mA
Hysteresis	1...20%	1...20%	1...20%	1...20%
Repeat accuracy	<3%	<3%	<3%	<3%
Frequency	2000Hz	1500Hz	2000Hz	1500Hz
Output indicator	Yellow LED	Yellow LED	Yellow LED	Yellow LED
Polarity protection	yes	yes	yes	yes
Surge protection	yes	yes	yes	yes
Short-circuit protection	yes	yes	yes	yes
Ambient temperature	-25...+70°C	-25...+70°C	-25...+70°C	-25...+70°C
Ambient moisture	35...95%	35...95%	35...95%	35...95%
Protection degree	IP67	IP67	IP67	IP67
Housing material	Stainless steel	Stainless steel	Stainless steel	Stainless steel
Connection	2m PVC Cable	2m PVC Cable	M8 Connector	M8 Connector
Certification	CE U _L	CE U _L	CE U _L	CE U _L

* Cable material and length can be customized



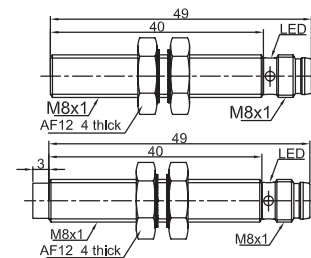
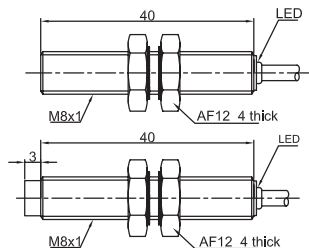
Item Code	LR08		LR08	
Mounting	● Flushed	◐ Non-flushed	● Flushed	◐ Non-flushed
Sensing distance	1.5 mm	2mm	1.5 mm	2mm



Output	NPN NO	LR08BF15DNO	LR08BN02DNO	LR08BF15DNO-E1	LR08BN02DNO-E1
	NPN NC	LR08BF15DNC	LR08BN02DNC	LR08BF15DNC-E1	LR08BN02DNC-E1
	NPN NO+NC				
Output	PNP NO	LR08BF15DPO	LR08BN02DPO	LR08BF15DPO-E1	LR08BN02DPO-E1
	PNP NC	LR08BF15DPC	LR08BN02DPC	LR08BF15DPC-E1	LR08BN02DPC-E1
	PNP NO+NC				

Technical Parameter				
Supply voltage	10...30 VDC	10...30 VDC	10...30 VDC	10...30 VDC
Temperature drift	< ±10%	< ±10%	< ±10%	< ±10%
Load current	<150mA	<150mA	<150mA	<150mA
Voltage drop	<2.5V	<2.5V	<2.5V	<2.5V
Consumption current	<10mA	<10mA	<10mA	<10mA
Hysteresis	1...20%	1...20%	1...20%	1...20%
Repeat accuracy	<3%	<3%	<3%	<3%
Frequency	2000Hz	1500Hz	2000Hz	1500Hz
Output indicator	Yellow LED	Yellow LED	Yellow LED	Yellow LED
Polarity protection	yes	yes	yes	yes
Surge protection	yes	yes	yes	yes
Short-circuit protection	yes	yes	yes	yes
Ambient temperature	-25...+70°C	-25...+70°C	-25...+70°C	-25...+70°C
Ambient moisture	35...95%	35...95%	35...95%	35...95%
Protection degree	IP67	IP67	IP67	IP67
Housing material	Stainless steel	Stainless steel	Stainless steel	Stainless steel
Connection	2m PVC Cable	2m PVC Cable	M8 Connector	M8 Connector
Certification	CE U _L	CE U _L	CE U _L	CE U _L

* Cable material and length can be customized



Item Code	LR08	
Mounting	● Flushed	⦿ Non-flushed
Sensing distance	1.5 mm	2mm

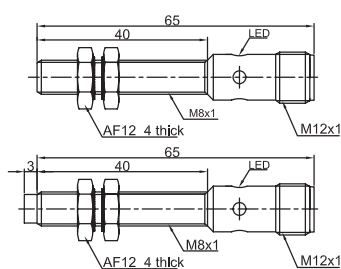


Output	NPN NO	LR08BF15DNO-E2	LR08BN02DNO-E2
	NPN NC	LR08BF15DNC-E2	LR08BN02DNC-E2
	NPN NO+NC		
Output	PNP NO	LR08BF15DPO-E2	LR08BN02DPO-E2
	PNP NC	LR08BF15DPC-E2	LR08BN02DPC-E2
	PNP NO+NC		

Technical Parameter

Supply voltage	10...30 VDC	10...30 VDC
Temperature drift	< ±10%	< ±10%
Load current	<150mA	<150mA
Voltage drop	<2.5V	<2.5V
Consumption current	<10mA	<10mA
Hysteresis	1...20%	1...20%
Repeat accuracy	<3%	<3%
Frequency	2000Hz	1500Hz
Output indicator	Yellow LED	Yellow LED
Polarity protection	yes	yes
Surge protection	yes	yes
Short-circuit protection	yes	yes
Ambient temperature	-25...+70°C	-25...+70°C
Ambient moisture	35...95%	35...95%
Protection degree	IP67	IP67
Housing material	Stainless steel	Stainless steel
Connection	M12 Connector	M12 Connector
Certification	CE U _L	CE U _L

* Cable material and length can be customized



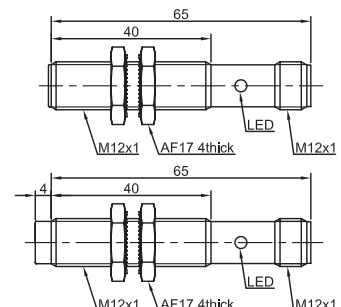
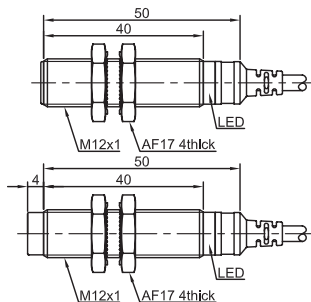
Item Code	LR12		LR12	
Mounting	● Flushed	◐ Non-flushed	● Flushed	◐ Non-flushed
Sensing distance	2mm	4mm	2mm	4mm



Output	NPN NO	LR12BF02DNO	LR12BN04DNO	LR12BF02DNO-E2	LR12BN04DNO-E2
	NPN NC	LR12BF02DNC	LR12BN04DNC	LR12BF02DNC-E2	LR12BN04DNC-E2
	NPN NO+NC	LR12BF02DNR	LR12BN04DNR	LR12BF02DNR-E2	LR12BN04DNR-E2
Output	PNP NO	LR12BF02DPO	LR12BN04DPO	LR12BF02DPO-E2	LR12BN04DPO-E2
	PNP NC	LR12BF02DPC	LR12BN04DPC	LR12BF02DPC-E2	LR12BN04DPC-E2
	PNP NO+NC	LR12BF02DPR	LR12BN04DPR	LR12BF02DPR-E2	LR12BN04DPR-E2

Technical Parameter				
Supply voltage	10...30 VDC	10...30 VDC	10...30 VDC	10...30 VDC
Temperature drift	< ±10%	< ±10%	< ±10%	< ±10%
Load current	<200mA	<200mA	<200mA	<200mA
Voltage drop	<2.5V	<2.5V	<2.5V	<2.5V
Consumption current	<10mA	<10mA	<10mA	<10mA
Hysteresis	1...20%	1...20%	1...20%	1...20%
Repeat accuracy	<3%	<3%	<3%	<3%
Frequency	1500Hz	1000Hz	1500Hz	1000Hz
Output indicator	Yellow LED	Yellow LED	Yellow LED	Yellow LED
Polarity protection	yes	yes	yes	yes
Surge protection	yes	yes	yes	yes
Short-circuit protection	yes	yes	yes	yes
Ambient temperature	-25...+70°C	-25...+70°C	-25...+70°C	-25...+70°C
Ambient moisture	35...95%	35...95%	35...95%	35...95%
Protection degree	IP67	IP67	IP67	IP67
Housing material	Nickel-copper Alloy	Nickel-copper Alloy	Nickel-copper Alloy	Nickel-copper Alloy
Connection	2m PVC Cable	2m PVC Cable	M12 Connector	M12 Connector
Certification	CE U _L	CE U _L	CE U _L	CE U _L

* Cable material and length can be customized



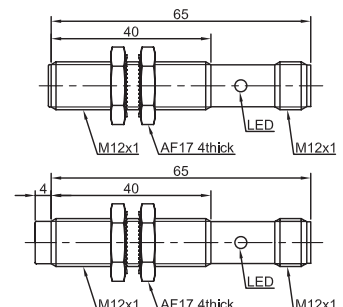
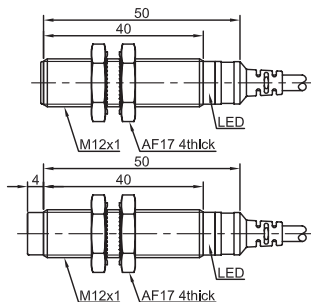
Item Code	LR12		LR12	
Mounting	● Flushed	◐ Non-flushed	● Flushed	◐ Non-flushed
Sensing distance	2mm	4mm	2mm	4mm



Output	NPN NO	LR12BF02ENO	LR12BN04ENO	LR12BF02ENO-E2	LR12BN04ENO-E2
	NPN NC	LR12BF02ENC	LR12BN04ENC	LR12BF02ENC-E2	LR12BN04ENC-E2
	NPN NO+NC	LR12BF02ENR	LR12BN04ENR	LR12BF02ENR-E2	LR12BN04ENR-E2
Output	PNP NO	LR12BF02EPO	LR12BN04EPO	LR12BF02EPO-E2	LR12BN04EPO-E2
	PNP NC	LR12BF02EPC	LR12BN04EPC	LR12BF02EPC-E2	LR12BN04EPC-E2
	PNP NO+NC	LR12BF02EPR	LR12BN04EPR	LR12BF02EPR-E2	LR12BN04EPR-E2

Technical Parameter				
Supply voltage	10...60 VDC	10...60 VDC	10...60 VDC	10...60 VDC
Temperature drift	< ±10%	< ±10%	< ±10%	< ±10%
Load current	<200mA	<200mA	<200mA	<200mA
Voltage drop	<2.5V	<2.5V	<2.5V	<2.5V
Consumption current	<10mA	<10mA	<10mA	<10mA
Hysteresis	1...20%	1...20%	1...20%	1...20%
Repeat accuracy	<3%	<3%	<3%	<3%
Frequency	1500Hz	1000Hz	1500Hz	1000Hz
Output indicator	Yellow LED	Yellow LED	Yellow LED	Yellow LED
Polarity protection	yes	yes	yes	yes
Surge protection	yes	yes	yes	yes
Short-circuit protection	yes	yes	yes	yes
Ambient temperature	-25...+70°C	-25...+70°C	-25...+70°C	-25...+70°C
Ambient moisture	35...95%	35...95%	35...95%	35...95%
Protection degree	IP67	IP67	IP67	IP67
Housing material	Nickel-copper Alloy	Nickel-copper Alloy	Nickel-copper Alloy	Nickel-copper Alloy
Connection	2m PVC Cable	2m PVC Cable	M12 Connector	M12 Connector
Certification	CE U _L	CE U _L	CE U _L	CE U _L

* Cable material and length can be customized

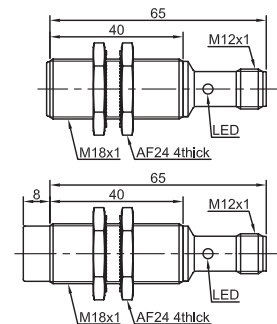
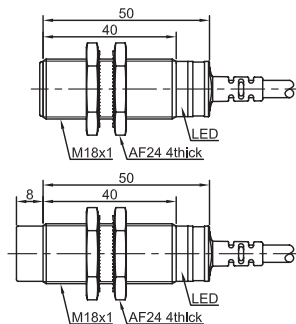






Item Code		LR18		LR18	
Mounting		● Flushed	◐ Non-flushed	● Flushed	◐ Non-flushed
Sensing distance		5mm	8mm	5mm	8mm
Output	NPN NO	LR18BF05DNO	LR18BN08DNO	LR18BF05DNO-E2	LR18BN08DNO-E2
	NPN NC	LR18BF05DNC	LR18BN08DNC	LR18BF05DNC-E2	LR18BN08DNC-E2
	NPN NO+NC	LR18BF05DNR	LR18BN08DNR	LR18BF05DNR-E2	LR18BN08DNR-E2
Output	PNP NO	LR18BF05DPO	LR18BN08DPO	LR18BF05DPO-E2	LR18BN08DPO-E2
	PNP NC	LR18BF05DPC	LR18BN08DPC	LR18BF05DPC-E2	LR18BN08DPC-E2
	PNP NO+NC	LR18BF05DPR	LR18BN08DPR	LR18BF05DPR-E2	LR18BN08DPR-E2



Technical Parameter				
Supply voltage	10...30 VDC	10...30 VDC	10...30 VDC	10...30 VDC
Temperature drift	< ±10%	< ±10%	< ±10%	< ±10%
Load current	<200mA	<200mA	<200mA	<200mA
Voltage drop	<2.5V	<2.5V	<2.5V	<2.5V
Consumption current	<10mA	<10mA	<10mA	<10mA
Hysteresis	1...20%	1...20%	1...20%	1...20%
Repeat accuracy	<3%	<3%	<3%	<3%
Frequency	1000Hz	800Hz	1000Hz	800Hz
Output indicator	Yellow LED	Yellow LED	Yellow LED	Yellow LED
Polarity protection	yes	yes	yes	yes
Surge protection	yes	yes	yes	yes
Short-circuit protection	yes	yes	yes	yes
Ambient temperature	-25...+70°C	-25...+70°C	-25...+70°C	-25...+70°C
Ambient moisture	35...95%	35...95%	35...95%	35...95%
Protection degree	IP67	IP67	IP67	IP67
Housing material	Nickel-copper Alloy	Nickel-copper Alloy	Nickel-copper Alloy	Nickel-copper Alloy
Connection	2m PVC Cable	2m PVC Cable	M12 Connector	M12 Connector
Certification	CE U _L	CE U _L	CE U _L	CE U _L

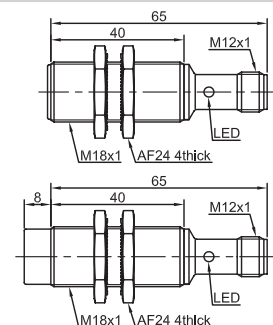
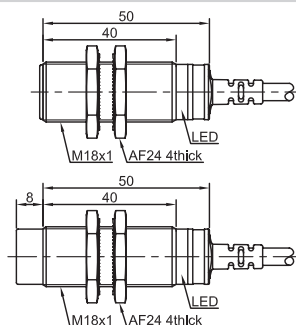
* Cable material and length can be customized



Item Code		LR18		LR18	
Mounting		● Flushed	◐ Non-flushed	● Flushed	◐ Non-flushed
Sensing distance		5mm	8mm	5mm	8mm
					
Output	NPN NO	LR18BF05ENO	LR18BN08ENO	LR18BF05ENO-E2	LR18BN08ENO-E2
	NPN NC	LR18BF05ENC	LR18BN08ENC	LR18BF05ENC-E2	LR18BN08ENC-E2
	NPN NO+NC	LR18BF05ENR	LR18BN08ENR	LR18BF05ENR-E2	LR18BN08ENR-E2
Output	PNP NO	LR18BF05EPO	LR18BN08EPO	LR18BF05EPO-E2	LR18BN08EPO-E2
	PNP NC	LR18BF05EPC	LR18BN08EPC	LR18BF05EPC-E2	LR18BN08EPC-E2
	PNP NO+NC	LR18BF05EPR	LR18BN08EPR	LR18BF05EPR-E2	LR18BN08EPR-E2

Technical Parameter				
Supply voltage	10...60 VDC	10...60 VDC	10...60 VDC	10...60 VDC
Temperature drift	< ±10%	< ±10%	< ±10%	< ±10%
Load current	<200mA	<200mA	<200mA	<200mA
Voltage drop	<2.5V	<2.5V	<2.5V	<2.5V
Consumption current	<10mA	<10mA	<10mA	<10mA
Hysteresis	1...20%	1...20%	1...20%	1...20%
Repeat accuracy	<3%	<3%	<3%	<3%
Frequency	1000Hz	800Hz	1000Hz	800Hz
Output indicator	Yellow LED	Yellow LED	Yellow LED	Yellow LED
Polarity protection	yes	yes	yes	yes
Surge protection	yes	yes	yes	yes
Short-circuit protection	yes	yes	yes	yes
Ambient temperature	-25...+70°C	-25...+70°C	-25...+70°C	-25...+70°C
Ambient moisture	35...95%	35...95%	35...95%	35...95%
Protection degree	IP67	IP67	IP67	IP67
Housing material	Nickel-copper Alloy	Nickel-copper Alloy	Nickel-copper Alloy	Nickel-copper Alloy
Connection	2m PVC Cable	2m PVC Cable	M12 Connector	M12 Connector
Certification	CE U _L	CE U _L	CE U _L	CE U _L

* Cable material and length can be customized

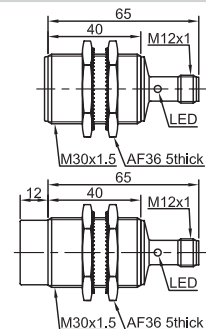
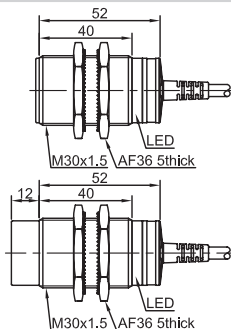


Item Code		LR30		LR30	
Mounting		● Flushed	◐ Non-flushed	● Flushed	◐ Non-flushed
Sensing distance		10mm	15mm	10mm	15mm
Output	NPN NO	LR30BF10DNO	LR30BN15DNO	LR30BF10DNO-E2	LR30BN15DNO-E2
	NPN NC	LR30BF10DNC	LR30BN15DNC	LR30BF10DNC-E2	LR30BN15DNC-E2
	NPN NO+NC	LR30BF10DNR	LR30BN15DNR	LR30BF10DNR-E2	LR30BN15DNR-E2
Output	PNP NO	LR30BF10DPO	LR30BN15DPO	LR30BF10DPO-E2	LR30BN15DPO-E2
	PNP NC	LR30BF10DPC	LR30BN15DPC	LR30BF10DPC-E2	LR30BN15DPC-E2
	PNP NO+NC	LR30BF10DPR	LR30BN15DPR	LR30BF10DPR-E2	LR30BN15DPR-E2



Technical Parameter				
Supply voltage	10...30 VDC	10...30 VDC	10...30 VDC	10...30 VDC
Temperature drift	< ±10%	< ±10%	< ±10%	< ±10%
Load current	<200mA	<200mA	<200mA	<200mA
Voltage drop	<2.5V	<2.5V	<2.5V	<2.5V
Consumption current	<10mA	<10mA	<10mA	<10mA
Hysteresis	1...20%	1...20%	1...20%	1...20%
Repeat accuracy	<3%	<3%	<3%	<3%
Frequency	500Hz	300Hz	500Hz	300Hz
Output indicator	Yellow LED	Yellow LED	Yellow LED	Yellow LED
Polarity protection	yes	yes	yes	yes
Surge protection	yes	yes	yes	yes
Short-circuit protection	yes	yes	yes	yes
Ambient temperature	-25...+70°C	-25...+70°C	-25...+70°C	-25...+70°C
Ambient moisture	35...95%	35...95%	35...95%	35...95%
Protection degree	IP67	IP67	IP67	IP67
Housing material	Nickel-copper Alloy	Nickel-copper Alloy	Nickel-copper Alloy	Nickel-copper Alloy
Connection	2m PVC Cable	2m PVC Cable	M12 Connector	M12 Connector
Certification	CE U _L	CE U _L	CE U _L	CE U _L

* Cable material and length can be customized



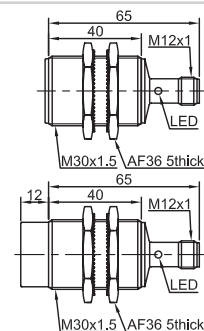
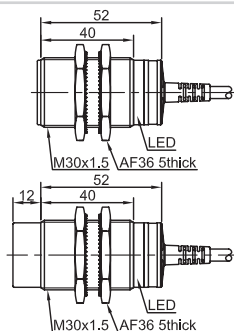
Item Code	LR30		LR30	
Mounting	● Flushed	◐ Non-flushed	● Flushed	◐ Non-flushed
Sensing distance	10 mm	15mm	10 mm	15mm



Output	NPN NO	LR30BF10ENO	LR30BN15ENO	LR30BF10ENO-E2	LR30BN15ENO-E2
	NPN NC	LR30BF10ENC	LR30BN15ENC	LR30BF10ENC-E2	LR30BN15ENC-E2
	NPN NO+NC	LR30BF10ENR	LR30BN15ENR	LR30BF10ENR-E2	LR30BN15ENR-E2
Output	PNP NO	LR30BF10EPO	LR30BN15EPO	LR30BF10EPO-E2	LR30BN15EPO-E2
	PNP NC	LR30BF10EPC	LR30BN15EPC	LR30BF10EPC-E2	LR30BN15EPC-E2
	PNP NO+NC	LR30BF10EPR	LR30BN15EPR	LR30BF10EPR-E2	LR30BN15EPR-E2

Technical Parameter				
Supply voltage	10...60 VDC	10...60 VDC	10...60 VDC	10...60 VDC
Temperature drift	< ±10%	< ±10%	< ±10%	< ±10%
Load current	<200mA	<200mA	<200mA	<200mA
Voltage drop	<2.5V	<2.5V	<2.5V	<2.5V
Consumption current	<10mA	<10mA	<10mA	<10mA
Hysteresis	1...20%	1...20%	1...20%	1...20%
Repeat accuracy	<3%	<3%	<3%	<3%
Frequency	500Hz	300Hz	500Hz	300Hz
Output indicator	Yellow LED	Yellow LED	Yellow LED	Yellow LED
Polarity protection	yes	yes	yes	yes
Surge protection	yes	yes	yes	yes
Short-circuit protection	yes	yes	yes	yes
Ambient temperature	-25...+70°C	-25...+70°C	-25...+70°C	-25...+70°C
Ambient moisture	35...95%	35...95%	35...95%	35...95%
Protection degree	IP67	IP67	IP67	IP67
Housing material	Nickel-copper Alloy	Nickel-copper Alloy	Nickel-copper Alloy	Nickel-copper Alloy
Connection	2m PVC Cable	2m PVC Cable	M12 Connector	M12 Connector
Certification	CE U _L	CE U _L	CE U _L	CE U _L

* Cable material and length can be customized



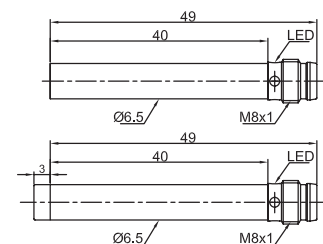
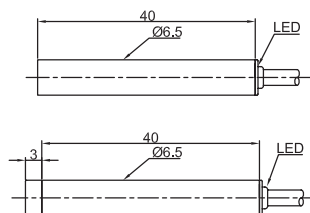
Item Code	LR6.5Q		LR6.5Q	
Mounting	● Flushed	◐ Non-flushed	● Flushed	◐ Non-flushed
Sensing distance	1.5 mm	2mm	1.5 mm	2mm



Output	DC 2 Wires NO	LR6.5QBF15DLO	LR6.5QBN02DLO	LR6.5QBF15DLO-E1	LR6.5QBN02DLO-E1
	DC 2 Wires NC	LR6.5QBF15DLC	LR6.5QBN02DLC	LR6.5QBF15DLC-E1	LR6.5QBN02DLC-E1

Technical Parameter				
Supply voltage	10...30 VDC	10...30 VDC	10...30 VDC	10...30 VDC
Temperature drift	< ±10%	< ±10%	< ±10%	< ±10%
Load current	<100mA	<100mA	<100mA	<100mA
Voltage drop	<8V	<8V	<8V	<8V
Leakage current	<1mA	<1mA	<1mA	<1mA
Hysteresis	1...20%	1...20%	1...20%	1...20%
Repeat accuracy	<3%	<3%	<3%	<3%
Frequency	1000Hz	800Hz	1000Hz	800Hz
Output indicator	Yellow LED	Yellow LED	Yellow LED	Yellow LED
Polarity protection	yes	yes	yes	yes
Surge protection	yes	yes	yes	yes
Short-circuit protection
Ambient temperature	-25...+70°C	-25...+70°C	-25...+70°C	-25...+70°C
Ambient moisture	35...95%	35...95%	35...95%	35...95%
Protection degree	IP67	IP67	IP67	IP67
Housing material	Stainless steel	Stainless steel	Stainless steel	Stainless steel
Connection	2m PVC Cable	2m PVC Cable	M8 Connector	M8 Connector
Certification	CE U _L	CE U _L	CE U _L	CE U _L

* Cable material and length can be customized



Item Code	LR08		LR08	
Mounting	● Flushed	◐ Non-flushed	● Flushed	◐ Non-flushed
Sensing distance	1.5 mm	2mm	1.5 mm	2mm

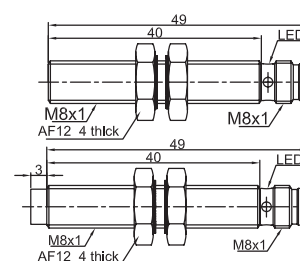
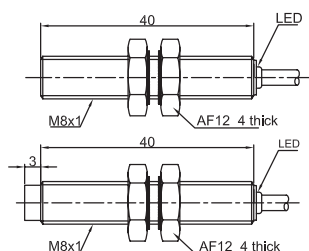


Output	DC 2 Wires NO	LR08BF15DLO	LR08BN02DLO	LR08BF15DLO-E1	LR08BN02DLO-E1
	DC 2 Wires NC	LR08BF15DLC	LR08BN02DLC	LR08BF15DLC-E1	LR08BN02DLC-E1

Technical Parameter

Supply voltage	10...30 VDC	10...30 VDC	10...30 VDC	10...30 VDC
Temperature drift	< ±10%	< ±10%	< ±10%	< ±10%
Load current	<100mA	<100mA	<100mA	<100mA
Voltage drop	<8V	<8V	<8V	<8V
Leakage current	<1mA	<1mA	<1mA	<1mA
Hysteresis	1...20%	1...20%	1...20%	1...20%
Repeat accuracy	<3%	<3%	<3%	<3%
Frequency	1000Hz	800Hz	1000Hz	800Hz
Output indicator	Yellow LED	Yellow LED	Yellow LED	Yellow LED
Polarity protection	yes	yes	yes	yes
Surge protection	yes	yes	yes	yes
Short-circuit protection
Ambient temperature	-25...+70°C	-25...+70°C	-25...+70°C	-25...+70°C
Ambient moisture	35...95%	35...95%	35...95%	35...95%
Protection degree	IP67	IP67	IP67	IP67
Housing material	Stainless steel	Stainless steel	Stainless steel	Stainless steel
Connection	2m PVC Cable	2m PVC Cable	M8 Connector	M8 Connector
Certification	CE U _L	CE U _L	CE U _L	CE U _L

* Cable material and length can be customized



Item Code	LR08	
Mounting	● Flushed	● Non-flushed
Sensing distance	1.5 mm	2mm

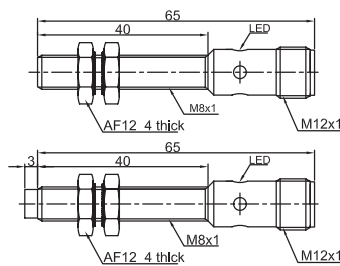


Output	DC 2 Wires NO	LR08BF15DLO-E2	LR08BN02DLO-E2
	DC 2 Wires NC	LR08BF15DLC-E2	LR08BN02DLC-E2

Technical Parameter

Supply voltage	10...30 VDC	10...30 VDC
Temperature drift	< ±10%	< ±10%
Load current	<100mA	<100mA
Voltage drop	<8V	<8V
Leakage current	<1mA	<1mA
Hysteresis	1...20%	1...20%
Repeat accuracy	<3%	<3%
Frequency	1000Hz	800Hz
Output indicator	Yellow LED	Yellow LED
Polarity protection	yes	yes
Surge protection	yes	yes
Short-circuit protection
Ambient temperature	-25...+70°C	-25...+70°C
Ambient moisture	35...95%	35...95%
Protection degree	Ip67	IP67
Housing material	Stainless steel	Stainless steel
Connection	M12 Connector	M12 Connector
Certification	CE U _L	CE U _L

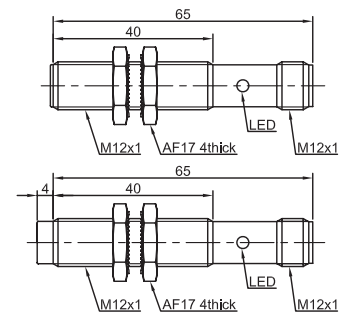
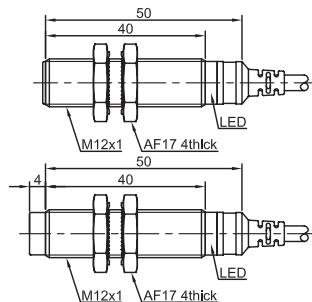
* Cable material and length can be customized



Item Code		LR12		LR12	
Mounting		● Flushed	◐ Non-flushed	● Flushed	◐ Non-flushed
Sensing distance		2 mm	4mm	2 mm	4mm
					
Output	DC 2 Wires NO	LR12BF02DLO	LR12BN04DLO	LR12BF02DLO-E2	LR12BN04DLO-E2
	DC 2 Wires NC	LR12BF02DLC	LR12BN04DLC	LR12BF02DLC-E2	LR12BN04DLC-E2

Technical Parameter					
Supply voltage		10...30 VDC	10...30 VDC	10...30 VDC	10...30 VDC
Temperature drift		< ±10%	< ±10%	< ±10%	< ±10%
Load current		<100mA	<100mA	<100mA	<100mA
Voltage drop		<6V	<6V	<6V	<6V
Leakage current		<1mA	<1mA	<1mA	<1mA
Hysteresis		1...20%	1...20%	1...20%	1...20%
Repeat accuracy		<3%	<3%	<3%	<3%
Frequency		800Hz	500Hz	800Hz	500Hz
Output indicator		Yellow LED	Yellow LED	Yellow LED	Yellow LED
Polarity protection		yes	yes	yes	yes
Surge protection		yes	yes	yes	yes
Short-circuit protection	
Ambient temperature		-25...+70°C	-25...+70°C	-25...+70°C	-25...+70°C
Ambient moisture		35...95%	35...95%	35...95%	35...95%
Protection degree		IP67	IP67	IP67	IP67
Housing material		Nickel-copper Alloy	Nickel-copper Alloy	Nickel-copper Alloy	Nickel-copper Alloy
Connection		2m PVC Cable	2m PVC Cable	M12 Connector	M12 Connector
Certification		CE U _L	CE U _L	CE U _L	CE U _L

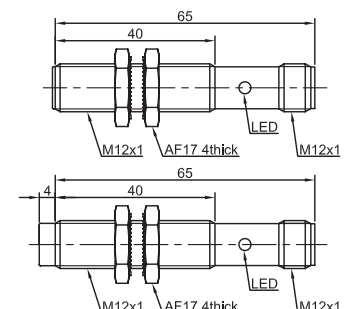
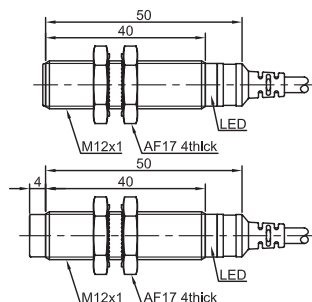
* Cable material and length can be customized



Item Code		LR12		LR12	
Mounting		● Flushed	◐ Non-flushed	● Flushed	◐ Non-flushed
Sensing distance		2 mm	4mm	2 mm	4mm
					
Output	DC 2 Wires NO	LR12BF02ELO	LR12BN04ELO	LR12BF02ELO-E2	LR12BN04ELO-E2
	DC 2 Wires NC	LR12BF02ELC	LR12BN04ELC	LR12BF02ELC-E2	LR12BN04ELC-E2

Technical Parameter					
Supply voltage		10...60 VDC	10...60 VDC	10...60 VDC	10...60 VDC
Temperature drift		< ±10%	< ±10%	< ±10%	< ±10%
Load current		<100mA	<100mA	<100mA	<100mA
Voltage drop		<6V	<6V	<6V	<6V
Leakage current		<1mA	<1mA	<1mA	<1mA
Hysteresis		1...20%	1...20%	1...20%	1...20%
Repeat accuracy		<3%	<3%	<3%	<3%
Frequency		800Hz	500Hz	800Hz	500Hz
Output indicator		Yellow LED	Yellow LED	Yellow LED	Yellow LED
Polarity protection		yes	yes	yes	yes
Surge protection		yes	yes	yes	yes
Short-circuit protection	
Ambient temperature		-25...+70°C	-25...+70°C	-25...+70°C	-25...+70°C
Ambient moisture		35...95%	35...95%	35...95%	35...95%
Protection degree		IP67	IP67	IP67	IP67
Housing material		Nickel-copper Alloy	Nickel-copper Alloy	Nickel-copper Alloy	Nickel-copper Alloy
Connection		2m PVC Cable	2m PVC Cable	M12 Connector	M12 Connector
Certification		CE U _L	CE U _L	CE U _L	CE U _L

* Cable material and length can be customized

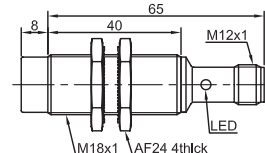
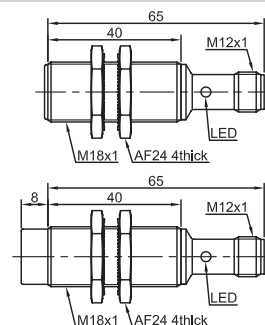
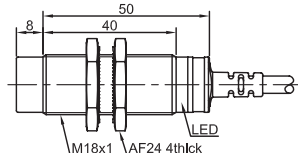
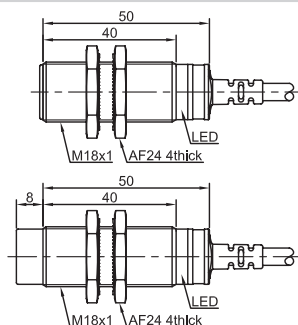






Item Code		LR18		LR18	
Mounting		● Flushed	◐ Non-flushed	● Flushed	◐ Non-flushed
Sensing distance		5 mm	8mm	5 mm	8mm
Output	DC 2 Wires NO	LR18BF05DLO	LR18BN08DLO	LR18BF05DLO-E2	LR18BN08DLO-E2
	DC 2 Wires NC	LR18BF05DLC	LR18BN08DLC	LR18BF05DLC-E2	LR18BN08DLC-E2



Technical Parameter				
Supply voltage	10...30 VDC	10...30 VDC	10...30 VDC	10...30 VDC
Temperature drift	< ±10%	< ±10%	< ±10%	< ±10%
Load current	<100mA	<100mA	<100mA	<100mA
Voltage drop	<6V	<6V	<6V	<6V
Leakage current	<1mA	<1mA	<1mA	<1mA
Hysteresis	1...20%	1...20%	1...20%	1...20%
Repeat accuracy	<3%	<3%	<3%	<3%
Frequency	500Hz	300Hz	500Hz	300Hz
Output indicator	Yellow LED	Yellow LED	Yellow LED	Yellow LED
Polarity protection	yes	yes	yes	yes
Surge protection	yes	yes	yes	yes
Short-circuit protection
Ambient temperature	-25...+70°C	-25...+70°C	-25...+70°C	-25...+70°C
Ambient moisture	35...95%	35...95%	35...95%	35...95%
Protection degree	IP67	IP67	IP67	IP67
Housing material	Nickel-copper Alloy	Nickel-copper Alloy	Nickel-copper Alloy	Nickel-copper Alloy
Connection	2m PVC Cable	2m PVC Cable	M12 Connector	M12 Connector
Certification	CE U _L	CE U _L	CE U _L	CE U _L

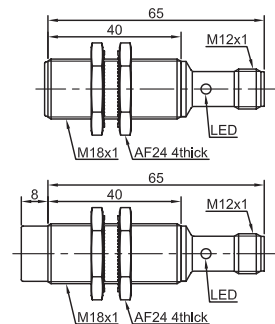
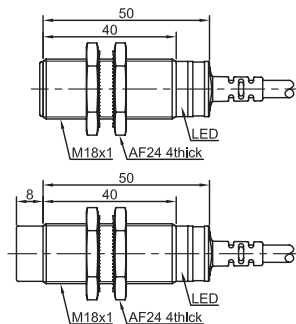
* Cable material and length can be customized



Item Code		LR18		LR18	
Mounting		● Flushed	◐ Non-flushed	● Flushed	◐ Non-flushed
Sensing distance		5 mm	8mm	5 mm	8mm
					
Output	DC 2 Wires NO	LR18BF05ELO	LR18BN08ELO	LR18BF05ELO-E2	LR18BN08ELO-E2
	DC 2 Wires NC	LR18BF05ELC	LR18BN08ELC	LR18BF05ELC-E2	LR18BN08ELC-E2

Technical Parameter					
Supply voltage		10...60 VDC	10...60 VDC	10...60 VDC	10...60 VDC
Temperature drift		< ±10%	< ±10%	< ±10%	< ±10%
Load current		<100mA	<100mA	<100mA	<100mA
Voltage drop		<6V	<6V	<6V	<6V
Leakage current		<1mA	<1mA	<1mA	<1mA
Hysteresis		1...20%	1...20%	1...20%	1...20%
Repeat accuracy		<3%	<3%	<3%	<3%
Frequency		500Hz	300Hz	500Hz	300Hz
Output indicator		Yellow LED	Yellow LED	Yellow LED	Yellow LED
Polarity protection		yes	yes	yes	yes
Surge protection		yes	yes	yes	yes
Short-circuit protection	
Ambient temperature		-25...+70°C	-25...+70°C	-25...+70°C	-25...+70°C
Ambient moisture		35...95%	35...95%	35...95%	35...95%
Protection degree		IP67	IP67	IP67	IP67
Housing material		Nickel-copper Alloy	Nickel-copper Alloy	Nickel-copper Alloy	Nickel-copper Alloy
Connection		2m PVC Cable	2m PVC Cable	M12 Connector	M12 Connector
Certification		CE U _L	CE U _L	CE U _L	CE U _L

* Cable material and length can be customized

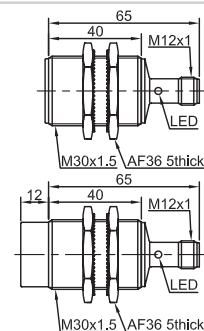
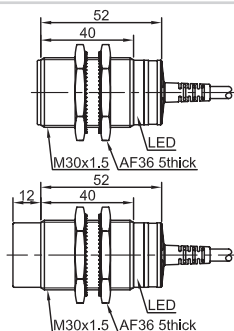


Item Code		LR30		LR30		
Mounting		● Flushed	◐ Non-flushed	● Flushed	◐ Non-flushed	
Sensing distance		10mm	15mm	10mm	15mm	
Output		DC 2 Wires NO	LR30BF10DLO	LR30BN15DLO	LR30BF10DLO-E2	LR30BN15DLO-E2
		DC 2 Wires NC	LR30BF10DLC	LR30BN15DLC	LR30BF10DLC-E2	LR30BN15DLC-E2



Technical Parameter				
Supply voltage	10...30 VDC	10...30 VDC	10...30 VDC	10...30 VDC
Temperature drift	< ±10%	< ±10%	< ±10%	< ±10%
Load current	<100mA	<100mA	<100mA	<100mA
Voltage drop	<6V	<6V	<6V	<6V
Leakage current	<1mA	<1mA	<1mA	<1mA
Hysteresis	1...20%	1...20%	1...20%	1...20%
Repeat accuracy	<3%	<3%	<3%	<3%
Frequency	300Hz	200Hz	300Hz	200Hz
Output indicator	Yellow LED	Yellow LED	Yellow LED	Yellow LED
Polarity protection	yes	yes	yes	yes
Surge protection	yes	yes	yes	yes
Short-circuit protection
Ambient temperature	-25...+70°C	-25...+70°C	-25...+70°C	-25...+70°C
Ambient moisture	35...95%	35...95%	35...95%	35...95%
Protection degree	IP67	IP67	IP67	IP67
Housing material	Nickel-copper Alloy	Nickel-copper Alloy	Nickel-copper Alloy	Nickel-copper Alloy
Connection	2m PVC Cable	2m PVC Cable	M12 Connector	M12 Connector
Certification	CE U _L	CE U _L	CE U _L	CE U _L

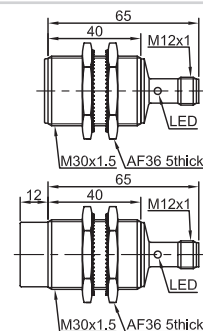
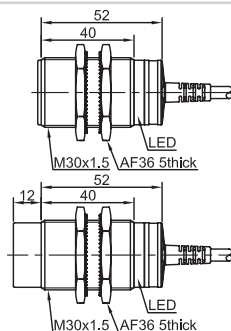
* Cable material and length can be customized




Item Code		LR30		LR30	
Mounting		● Flushed	◐ Non-flushed	● Flushed	◐ Non-flushed
Sensing distance		10mm	15mm	10mm	15mm
Output	DC 2 Wires NO	LR30BF10ELO	LR30BN15ELO	LR30BF10ELO-E2	LR30BN15ELO-E2
	DC 2 Wires NC	LR30BF10ELC	LR30BN15ELC	LR30BF10ELC-E2	LR30BN15ELC-E2

Technical Parameter					
Supply voltage		10...60 VDC	10...60 VDC	10...60 VDC	10...60 VDC
Temperature drift		< ±10%	< ±10%	< ±10%	< ±10%
Load current		<100mA	<100mA	<100mA	<100mA
Voltage drop		<6V	<6V	<6V	<6V
Leakage current		<1mA	<1mA	<1mA	<1mA
Hysteresis		1...20%	1...20%	1...20%	1...20%
Repeat accuracy		<3%	<3%	<3%	<3%
Frequency		300Hz	200Hz	300Hz	200Hz
Output indicator		Yellow LED	Yellow LED	Yellow LED	Yellow LED
Polarity protection		yes	yes	yes	yes
Surge protection		yes	yes	yes	yes
Short-circuit protection	
Ambient temperature		-25...+70°C	-25...+70°C	-25...+70°C	-25...+70°C
Ambient moisture		35...95%	35...95%	35...95%	35...95%
Protection degree		IP67	IP67	IP67	IP67
Housing material		Nickel-copper Alloy	Nickel-copper Alloy	Nickel-copper Alloy	Nickel-copper Alloy
Connection		2m PVC Cable	2m PVC Cable	M12 Connector	M12 Connector
Certification		CE U _L	CE U _L	CE U _L	CE U _L

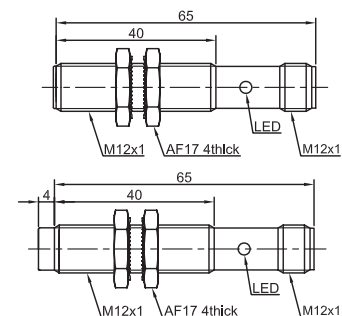
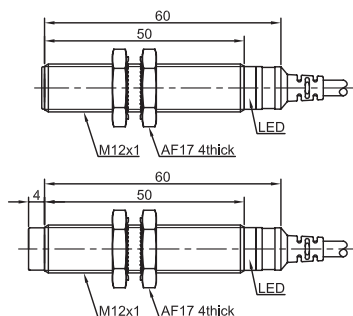
* Cable material and length can be customized



Item Code		LR12		LR12	
Mounting		● Flushed	◐ Non-flushed	● Flushed	◐ Non-flushed
Sensing distance		2 mm	4mm	2 mm	4mm
					
Output	AC 2 Wires NO	LR12CF02ATO	LR12CN04ATO	LR12CF02ATO-E2	LR12CN04ATO-E2
	AC 2 Wires NC	LR12CF02ATC	LR12CN04ATC	LR12CF02ATC-E2	LR12CN04ATC-E2

Technical Parameter					
Supply voltage		20...250 VAC	20...250 VAC	20...250 VAC	20...250 VAC
Temperature drift		< ±10%	< ±10%	< ±10%	< ±10%
Load current		<200mA	<200mA	<200mA	<200mA
Voltage drop		<10V	<10V	<10V	<10V
Leakage current		<3mA	<3mA	<3mA	<3mA
Hysteresis		1...20%	1...20%	1...20%	1...20%
Repeat accuracy		<3%	<3%	<3%	<3%
Frequency		20Hz	20Hz	20Hz	20Hz
Output indicator		Yellow LED	Yellow LED	Yellow LED	Yellow LED
Polarity protection	
Surge protection		yes	yes	yes	yes
Short-circuit protection	
Ambient temperature		-25...+70°C	-25...+70°C	-25...+70°C	-25...+70°C
Ambient moisture		35...95%	35...95%	35...95%	35...95%
Protection degree		IP67	IP67	IP67	IP67
Housing material		Nickel-copper Alloy	Nickel-copper Alloy	Nickel-copper Alloy	Nickel-copper Alloy
Connection		2m PVC Cable	2m PVC Cable	M12 Connector	M12 Connector
Certification		CE U _L CCC	CE U _L CCC	CE U _L CCC	CE U _L CCC

* Cable material and length can be customized

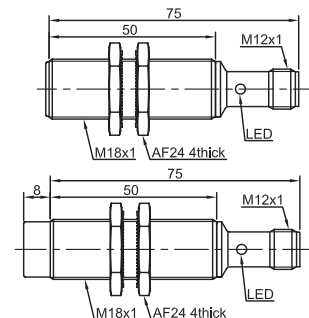
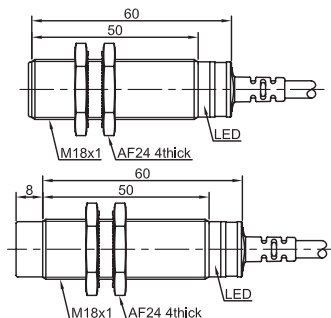


Item Code		LR18		LR18	
Mounting		● Flushed	◐ Non-flushed	● Flushed	◐ Non-flushed
Sensing distance		5mm	8mm	5mm	8mm
Output	AC 2 Wires NO	LR18CF05ATO	LR18CN08ATO	LR18CF05ATO-E2	LR18CN08ATO-E2
	AC 2 Wires NC	LR18CF05ATC	LR18CN08ATC	LR18CF05ATC-E2	LR18CN08ATC-E2



Technical Parameter				
Supply voltage	20...250 VAC	20...250 VAC	20...250 VAC	20...250 VAC
Temperature drift	< ±10%	< ±10%	< ±10%	< ±10%
Load current	<300mA	<300mA	<300mA	<300mA
Voltage drop	<10V	<10V	<10V	<10V
Leakage current	<3mA	<3mA	<3mA	<3mA
Hysteresis	1...20%	1...20%	1...20%	1...20%
Repeat accuracy	<3%	<3%	<3%	<3%
Frequency	20Hz	20Hz	20Hz	20Hz
Output indicator	Yellow LED	Yellow LED	Yellow LED	Yellow LED
Polarity protection
Surge protection	yes	yes	yes	yes
Short-circuit protection
Ambient temperature	-25...+70°C	-25...+70°C	-25...+70°C	-25...+70°C
Ambient moisture	35...95%	35...95%	35...95%	35...95%
Protection degree	IP67	IP67	IP67	IP67
Housing material	Nickel-copper Alloy	Nickel-copper Alloy	Nickel-copper Alloy	Nickel-copper Alloy
Connection	2m PVC Cable	2m PVC Cable	M12 Connector	M12 Connector
Certification	CE U _L CCC	CE U _L CCC	CE U _L CCC	CE U _L CCC

* Cable material and length can be customized

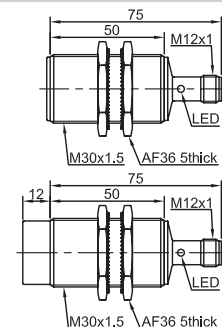
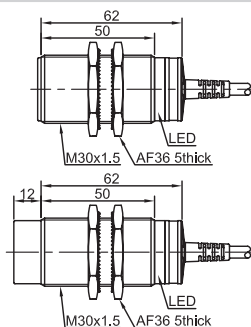




Item Code		LR30		LR30	
Mounting		● Flushed	◐ Non-flushed	● Flushed	◐ Non-flushed
Sensing distance		10mm	15mm	10mm	15mm
Output	AC 2 Wires NO	LR30CF10ATO	LR30CN15ATO	LR30CF10ATO-E2	LR30CN15ATO-E2
	AC 2 Wires NC	LR30CF10ATC	LR30CN15ATC	LR30CF10ATC-E2	LR30CN15ATC-E2





Technical Parameter					
Supply voltage		20...250 VAC	20...250 VAC	20...250 VAC	20...250 VAC
Temperature drift		< ±10%	< ±10%	< ±10%	< ±10%
Load current		<300mA	<300mA	<300mA	<300mA
Voltage drop		<10V	<10V	<10V	<10V
Leakage current		<3mA	<3mA	<3mA	<3mA
Hysteresis		1...20%	1...20%	1...20%	1...20%
Repeat accuracy		<3%	<3%	<3%	<3%
Frequency		20Hz	20Hz	20Hz	20Hz
Output indicator		Yellow LED	Yellow LED	Yellow LED	Yellow LED
Polarity protection	
Surge protection		yes	yes	yes	yes
Short-circuit protection	
Ambient temperature		-25...+70°C	-25...+70°C	-25...+70°C	-25...+70°C
Ambient moisture		35...95%	35...95%	35...95%	35...95%
Protection degree		IP67	IP67	IP67	IP67
Housing material		Nickel-copper Alloy	Nickel-copper Alloy	Nickel-copper Alloy	Nickel-copper Alloy
Connection		2m PVC Cable	2m PVC Cable	M12 Connector	M12 Connector
Certification		CE U _L CCC	CE U _L CCC	CE U _L CCC	CE U _L CCC

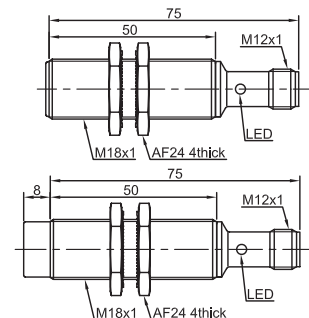
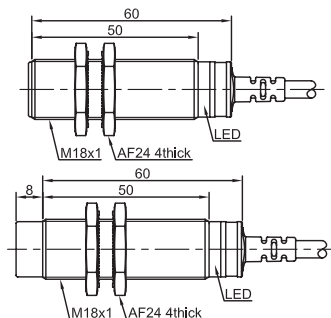
* Cable material and length can be customized



Item Code		LR18		LR18	
Mounting		● Flushed	◐ Non-flushed	● Flushed	◐ Non-flushed
Sensing distance		5mm	8mm	5mm	8mm
					
Output	DC/AC 2 Wires NO	LR18XCF05SBO	LR18XCN08SBO	LR18XCF05SBO-E2	LR18XCN08SBO-E2
	DC/AC 2 Wires NC	LR18XCF05SBC	LR18XCN08SBC	LR18XCF05SBC-E2	LR18XCN08SBC-E2

Technical Parameter					
Supply voltage	20-250VAC/DC		20-250VAC/DC		
Temperature drift	< ±10%		< ±10%		
Load current	AC: <300mA, DC: <100mA		AC: <300mA, DC: <100mA		
Voltage drop	AC:<10V, DC:<8V		AC:<10V, DC:<8V		
Leakage current	AC: <3mA, DC: <1mA		AC: <3mA, DC: <1mA		
Hysteresis	1...20%		1...20%		
Repeat accuracy	<3%		<3%		
Frequency	AC: 20Hz, DC: 500Hz		AC: 20Hz, DC: 500Hz		
Output indicator	Yellow LED	Yellow LED	Yellow LED	Yellow LED	
Polarity protection	
Surge protection	yes	yes	yes	yes	
Short-circuit protection	
Ambient temperature	-25...+70°C		-25...+70°C		
Ambient moisture	35...95%		35...95%		
Protection degree	IP67		IP67		
Housing material	Nickel-copper Alloy	Nickel-copper Alloy	Nickel-copper Alloy	Nickel-copper Alloy	
Connection	2m PVC Cable		M12 Connector		
Certification					

* Cable material and length can be customized

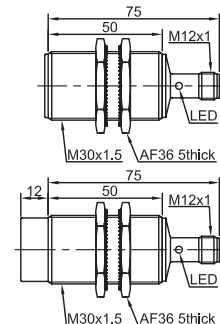
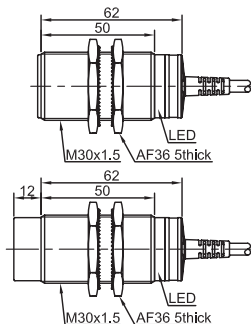


Item Code		LR30		LR30	
Mounting		● Flushed	◐ Non-flushed	● Flushed	◐ Non-flushed
Sensing distance		10mm	15mm	10mm	15mm
Output	DC/AC 2 Wires NO	LR30XCF10SBO	LR30XCN15SBO	LR30XCF10SBO-E2	LR30XCN15SBO-E2
	DC/AC 2 Wires NC	LR30XCF10SBC	LR30XCN15SBC	LR30XCF10SBC-E2	LR30XCN15SBC-E2



Technical Parameter					
Supply voltage	20-250VAC/DC		20-250VAC/DC		
Temperature drift	< ±10%		< ±10%		
Load current	AC: <300mA, DC: <100mA		AC: <300mA, DC: <100mA		
Voltage drop	AC:<10V, DC:<8V		AC:<10V, DC:<8V		
Leakage current	AC: <3mA, DC: <1mA		AC: <3mA, DC: <1mA		
Hysteresis	1...20%		1...20%		
Repeat accuracy	<3%		<3%		
Frequency	AC: 20Hz, DC: 500Hz		AC: 20Hz, DC: 500Hz		
Output indicator	Yellow LED	Yellow LED	Yellow LED	Yellow LED	
Polarity protection	
Surge protection	yes	yes	yes	yes	
Short-circuit protection	
Ambient temperature	-25...+70°C		-25...+70°C		
Ambient moisture	35...95%		35...95%		
Protection degree	IP67		IP67		
Housing material	Nickel-copper Alloy	Nickel-copper Alloy	Nickel-copper Alloy	Nickel-copper Alloy	
Connection	2m PVC Cable		M12 Connector		
Certification	CE U _L CCC		CE U _L CCC		

* Cable material and length can be customized



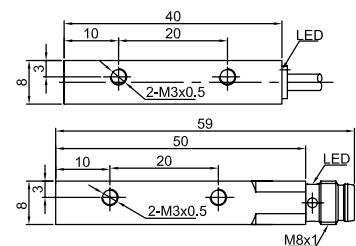
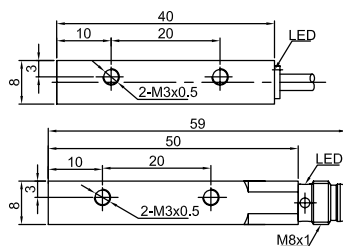
Item Code	LE81		LE82	
Mounting	● Flushed	● Flushed	● Flushed	● Flushed
Sensing distance	1.5mm	1.5mm	1.5mm	1.5mm



Output	NPN NO	LE81VF15DNO	LE81VF15DNO-E1	LE82VF15DNO	LE82VF15DNO-E1
	NPN NC	LE81VF15DNC	LE81VF15DNC-E1	LE82VF15DNC	LE82VF15DNC-E1
Output	PNP NO	LE81VF15DPO	LE81VF15DPO-E1	LE82VF15DPO	LE82VF15DPO-E1
	PNP NC	LE81VF15DPC	LE81VF15DPC-E1	LE82VF15DPC	LE82VF15DPC-E1

Technical Parameter				
Supply voltage	10...30 VDC	10...30 VDC	10...30 VDC	10...30 VDC
Switch point drift	< ±10% Sr	< ±10% Sr	< ±10% Sr	< ±10% Sr
Load current	<100mA	<100mA	<100mA	<100mA
Voltage drop	< 2.5V	< 2.5V	< 2.5V	< 2.5V
Consumption current	<10mA	<10mA	<10mA	<10mA
Hysteresis	1...20%	1...20%	1...20%	1...20%
Repeat accuracy	<3%	<3%	<3%	<3%
Frequency	2000Hz	2000Hz	2000Hz	2000Hz
Output indicator	Yellow LED	Yellow LED	Yellow LED	Yellow LED
Polarity protection	yes	yes	yes	yes
Surge protection	yes	yes	yes	yes
Short-circuit protection
Ambient temperature	-25...+70°C	-25...+70°C	-25...+70°C	-25...+70°C
Ambient moisture	35...95%	35...95%	35...95%	35...95%
Protection degree	IP67	IP67	IP67	IP67
Housing material	Aluminum alloy	Aluminum alloy	Aluminum alloy	Aluminum alloy
Connection	2m PVC Cable	M8 Connector	2m PVC Cable	M8 Connector
Certification	CE U _L	CE U _L	CE U _L	CE U _L

* Cable material and length can be customized



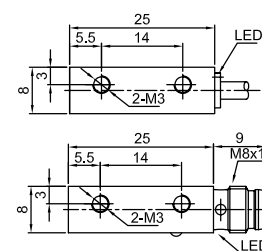
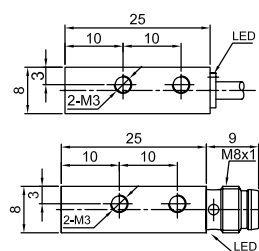
Item Code	LE83		LE84	
Mounting	● Flushed	● Flushed	● Flushed	● Flushed
Sensing distance	1.5mm	1.5mm	1.5mm	1.5mm



Output	NPN NO	LE83VF15DNO	LE83VF15DNO-E1	LE84VF15DNO	LE84VF15DNO-E1
	NPN NC	LE83VF15DNC	LE83VF15DNC-E1	LE84VF15DNC	LE84VF15DNC-E1
Output	PNP NO	LE83VF15DPO	LE83VF15DPO-E1	LE84VF15DPO	LE84VF15DPO-E1
	PNP NC	LE83VF15DPC	LE83VF15DPC-E1	LE84VF15DPC	LE84VF15DPC-E1

Technical Parameter				
Supply voltage	10...30 VDC	10...30 VDC	10...30 VDC	10...30 VDC
Switch point drift	< ±10% Sr	< ±10% Sr	< ±10% Sr	< ±10% Sr
Load current	<100mA	<100mA	<100mA	<100mA
Voltage drop	< 2.5V	< 2.5V	< 2.5V	< 2.5V
Consumption current	<10mA	<10mA	<10mA	<10mA
Hysteresis	1...20%	1...20%	1...20%	1...20%
Repeat accuracy	<3%	<3%	<3%	<3%
Frequency	2000Hz	2000Hz	2000Hz	2000Hz
Output indicator	Yellow LED	Yellow LED	Yellow LED	Yellow LED
Polarity protection	yes	yes	yes	yes
Surge protection	yes	yes	yes	yes
Short-circuit protection
Ambient temperature	-25...+70°C	-25...+70°C	-25...+70°C	-25...+70°C
Ambient moisture	35...95%	35...95%	35...95%	35...95%
Protection degree	IP67	IP67	IP67	IP67
Housing material	Aluminum alloy	Aluminum alloy	Aluminum alloy	Aluminum alloy
Connection	2m PVC Cable	M8 Connector	2m PVC Cable	M8 Connector
Certification	CE U _L	CE U _L	CE U _L	CE U _L

* Cable material and length can be customized



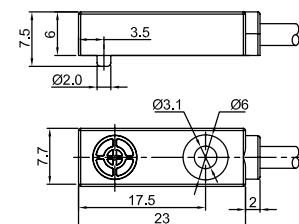
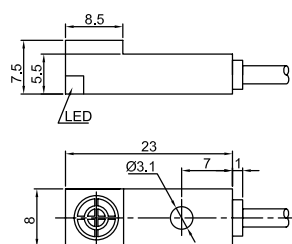
Item Code	LE08	LE08X
Mounting	● Non-flushed	● Non-flushed
Sensing distance	2.5mm	2.5mm



Output	NPN NO	LE08SN25DNO	LE08XSN25DNO
	NPN NC	LE08SN25DNC	LE08XSN25DNC
Output	PNP NO	LE08SN25DPO	LE08XSN25DPO
	PNP NC	LE08SN25DPC	LE08XSN25DPC

Technical Parameter			
Supply voltage		10...30 VDC	10...30 VDC
Switch point drift		< ±10% Sr	< ±10% Sr
Load current		<100mA	<100mA
Voltage drop		< 2.5V	< 2.5V
Consumption current		<10mA	<10mA
Hysteresis		1...20%	1...20%
Repeat accuracy		<3%	<3%
Frequency		1000Hz	1000Hz
Output indicator		Red LED	Red LED
Polarity protection		yes	yes
Surge protection		yes	yes
Short-circuit protection	
Ambient temperature		-25...+70°C	-25...+70°C
Ambient moisture		35...95%	35...95%
Protection degree		IP67	IP67
Housing material		PC	PC
Connection		M12 PVC Cable	2m PVC Cable
Certification		CE U _L	CE U _L

* Cable material and length can be customized



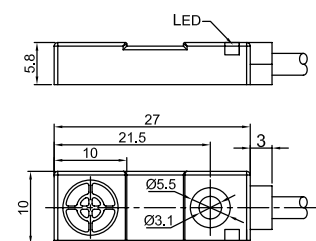
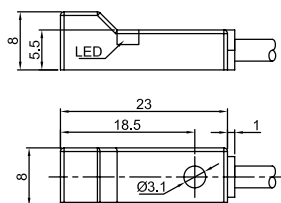
Item Code	LE09	LE11
Mounting	● Non-flushed	● Non-flushed
Sensing distance	2.5 mm	3 mm



Output	NPN NO	LE09SN25DNO	LE11SN03DNO
	NPN NC	LE09SN25DNC	LE11SN03DNC
Output	PNP NO	LE09SN25DPO	LE11SN03DPO
	PNP NC	LE09SN25DPC	LE11SN03DPC

Technical Parameter			
Supply voltage		10...30 VDC	10...30 VDC
Switch point drift		< ±10% Sr	< ±10% Sr
Load current		<100mA	<100mA
Voltage drop		< 2.5V	< 2.5V
Consumption current		<10mA	<10mA
Hysteresis		1...20%	1...20%
Repeat accuracy		<3%	<3%
Frequency		1000Hz	1000Hz
Output indicator		Red LED	Red LED
Polarity protection		yes	yes
Surge protection		yes	yes
Short-circuit protection	
Ambient temperature		-25...+70°C	-25...+70°C
Ambient moisture		35...95%	35...95%
Protection degree		IP67	IP67
Housing material		PC	PC
Connection		2m PVC Cable	2m PVC Cable
Certification		CE U _L	CE U _L

* Cable material and length can be customized



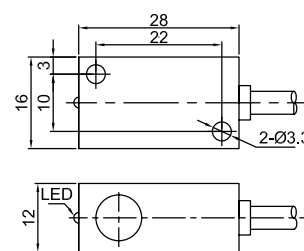
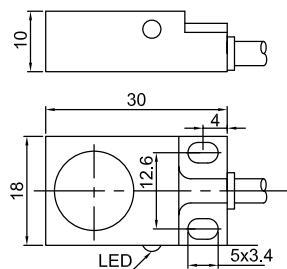
Item Code	LE10		LE16	
Mounting	● Flushed	◐ Non-flushed	● Flushed	◐ Non-flushed
Sensing distance	5mm	8mm	2mm	4mm



Output	NPN NO	LE10SF05DNO	LE10SN08DNO	LE16SF02DNO	LE16SN04DNO
	NPN NC	LE10SF05DNC	LE10SN08DNC	LE16SF02DNC	LE16SN04DNC
Output	PNP NO	LE10SF05DPO	LE10SN08DPO	LE16SF02DPO	LE16SN04DPO
	PNP NC	LE10SF05DPC	LE10SN08DPC	LE16SF02DPC	LE16SN04DPC

Technical Parameter				
Supply voltage	10...30 VDC	10...30 VDC	10...30 VDC	10...30 VDC
Switch point drift	< ±10% Sr	< ±10% Sr	< ±10% Sr	< ±10% Sr
Load current	<200mA	<200mA	<200mA	<200mA
Voltage drop	< 2.5V	< 2.5V	< 2.5V	< 2.5V
Consumption current	<10mA	<10mA	<10mA	<10mA
Hysteresis	1...20%	1...20%	1...20%	1...20%
Repeat accuracy	<3%	<3%	<3%	<3%
Frequency	1000Hz	800Hz	1000Hz	800Hz
Output indicator	Yellow LED	Yellow LED	Yellow LED	Yellow LED
Polarity protection	yes	yes	yes	yes
Surge protection	yes	yes	yes	yes
Short-circuit protection	yes	yes	yes	yes
Ambient temperature	-25...+70°C	-25...+70°C	-25...+70°C	-25...+70°C
Ambient moisture	35...95%	35...95%	35...95%	35...95%
Protection degree	IP67	IP67	IP67	IP67
Housing material	PBT	PBT	PBT	PBT
Connection	2m PVC Cable	2m PVC Cable	2m PVC Cable	2m PVC Cable
Certification	CE U _I	CE U _I	CE U _I	CE U _I

* Cable material and length can be customized



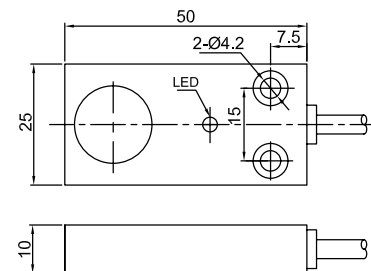
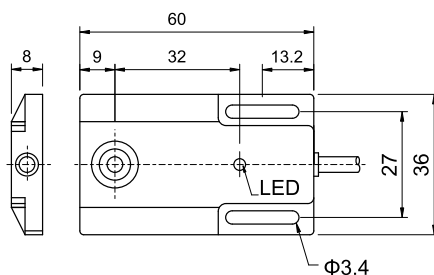
Item Code	LE36		LE50	
Mounting	● Flushed	◐ Non-flushed	● Flushed	◐ Non-flushed
Sensing distance	5mm	8mm	5mm	8mm



Output	NPN NO	LE36SF05DNO	LE36SN08DNO	LE50SF05DNO	LE50SN08DNO
	NPN NC	LE36SF05DNC	LE36SN08DNC	LE50SF05DNC	LE50SN08DNC
Output	PNP NO	LE36SF05DPO	LE36SN08DPO	LE50SF05DPO	LE50SN08DPO
	PNP NC	LE36SF05DPC	LE36SN08DPC	LE50SF05DPC	LE50SN08DPC

Technical Parameter				
Supply voltage	10...30 VDC	10...30 VDC	10...30 VDC	10...30 VDC
Switch point drift	< ±10% Sr	< ±10% Sr	< ±10% Sr	< ±10% Sr
Load current	<200mA	<200mA	<200mA	<200mA
Voltage drop	< 2.5V	< 2.5V	< 2.5V	< 2.5V
Consumption current	<10mA	<10mA	<10mA	<10mA
Hysteresis	1...20%	1...20%	1...20%	1...20%
Repeat accuracy	<3%	<3%	<3%	<3%
Frequency	700Hz	500Hz	700Hz	500Hz
Output indicator	Yellow LED	Yellow LED	Yellow LED	Yellow LED
Polarity protection	yes	yes	yes	yes
Surge protection	yes	yes	yes	yes
Short-circuit protection	yes	yes	yes	yes
Ambient temperature	-25...+70°C	-25...+70°C	-25...+70°C	-25...+70°C
Ambient moisture	35...95%	35...95%	35...95%	35...95%
Protection degree	IP67	IP67	IP67	IP67
Housing material	PBT	PBT	PBT	PBT
Connection	2m PVC Cable	2m PVC Cable	2m PVC Cable	2m PVC Cable
Certification	CE U _L	CE U _L	CE U _L	CE U _L

* Cable material and length can be customized



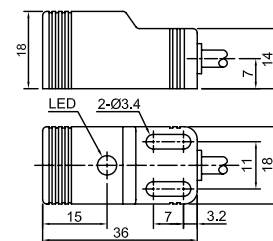
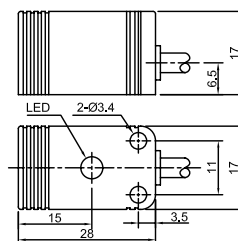
Item Code	LE17		LE18	
Mounting	● Flushed	◐ Non-flushed	● Flushed	◐ Non-flushed
Sensing distance	5mm	8mm	5mm	8mm



Output	NPN NO	LE17SF05DNO	LE17SN08DNO	LE18SF05DNO	LE18SN08DNO
	NPN NC	LE17SF05DNC	LE17SN08DNC	LE18SF05DNC	LE18SN08DNC
Output	PNP NO	LE17SF05DPO	LE17SN08DPO	LE18SF05DPO	LE18SN08DPO
	PNP NC	LE17SF05DPC	LE17SN08DPC	LE18SF05DPC	LE18SN08DPC

Technical Parameter				
Supply voltage	10...30 VDC	10...30 VDC	10...30 VDC	10...30 VDC
Switch point drift	< ±10% Sr	< ±10% Sr	< ±10% Sr	< ±10% Sr
Load current	<200mA	<200mA	<200mA	<200mA
Voltage drop	< 2.5V	< 2.5V	< 2.5V	< 2.5V
Consumption current	<10mA	<10mA	<10mA	<10mA
Hysteresis	1...20%	1...20%	1...20%	1...20%
Repeat accuracy	<3%	<3%	<3%	<3%
Frequency	700Hz	500Hz	700Hz	500Hz
Output indicator	Yellow LED	Yellow LED	Yellow LED	Yellow LED
Polarity protection	yes	yes	yes	yes
Surge protection	yes	yes	yes	yes
Short-circuit protection	yes	yes	yes	yes
Ambient temperature	-25...+70°C	-25...+70°C	-25...+70°C	-25...+70°C
Ambient moisture	35...95%	35...95%	35...95%	35...95%
Protection degree	IP67	IP67	IP67	IP67
Housing material	PBT	PBT	PBT	PBT
Connection	2m PVC Cable	2m PVC Cable	2m PVC Cable	2m PVC Cable
Certification	CE U _L	CE U _L	CE U _L	CE U _L

* Cable material and length can be customized



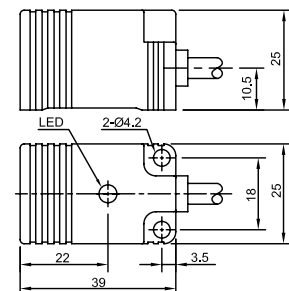
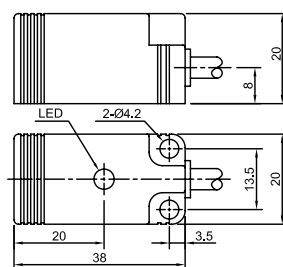
Item Code	LE20		LE25	
Mounting	● Flushed	◐ Non-flushed	● Flushed	◐ Non-flushed
Sensing distance	5mm	8mm	7mm	10mm



Output	NPN NO	LE20SF05DNO	LE20SN08DNO	LE25SF07DNO	LE25SN10DNO
	NPN NC	LE20SF05DNC	LE20SN08DNC	LE25SF07DNC	LE25SN10DNC
Output	PNP NO	LE20SF05DPO	LE20SN08DPO	LE25SF07DPO	LE25SN10DPO
	PNP NC	LE20SF05DPC	LE20SN08DPC	LE25SF07DPC	LE25SN10DPC

Technical Parameter				
Supply voltage	10...30 VDC	10...30 VDC	10...30 VDC	10...30 VDC
Switch point drift	< ±10% Sr	< ±10% Sr	< ±10% Sr	< ±10% Sr
Load current	<100mA	<100mA	<100mA	<100mA
Voltage drop	< 2.5V	< 2.5V	< 2.5V	< 2.5V
Consumption current	<10mA	<10mA	<10mA	<10mA
Hysteresis	1...20%	1...20%	1...20%	1...20%
Repeat accuracy	<3%	<3%	<3%	<3%
Frequency	700Hz	500Hz	700Hz	500Hz
Output indicator	Yellow LED	Yellow LED	Yellow LED	Yellow LED
Polarity protection	yes	yes	yes	yes
Surge protection	yes	yes	yes	yes
Short-circuit protection	yes	yes	yes	yes
Ambient temperature	-25...+70°C	-25...+70°C	-25...+70°C	-25...+70°C
Ambient moisture	35...95%	35...95%	35...95%	35...95%
Protection degree	IP67	IP67	IP67	IP67
Housing material	PBT	PBT	PBT	PBT
Connection	2m PVC Cable	2m PVC Cable	2m PVC Cable	2m PVC Cable
Certification	CE U _L	CE U _L	CE U _L	CE U _L

* Cable material and length can be customized



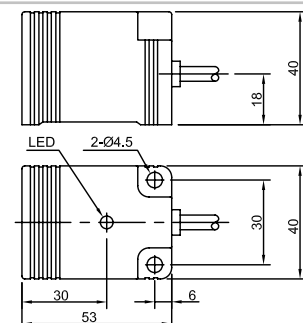
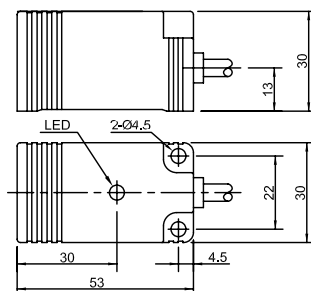
Item Code	LE30		LE40	
Mounting	● Flushed	◐ Non-flushed	● Flushed	◐ Non-flushed
Sensing distance	10mm	15mm	15mm	20mm



Output	NPN NO	LE30SF10DNO	LE30SN15DNO	LE40SF15DNO	LE40SN20DNO
	NPN NC	LE30SF10DNC	LE30SN15DNC	LE40SF15DNC	LE40SN20DNC
	NPN NO+NC	LE30SF10DNR	LE30SN15DNR	LE40SF15DNR	LE40SN20DNR
Output	PNP NO	LE30SF10DPO	LE30SN15DPO	LE40SF15DPO	LE40SN20DPO
	PNP NC	LE30SF10DPC	LE30SN15DPC	LE40SF15DPC	LE40SN20DPC
	PNP NO+NC	LE30SF10DPR	LE30SN15DPR	LE40SF15DPR	LE40SN20DPR

Technical Parameter				
Supply voltage	10...30 VDC	10...30 VDC	10...30 VDC	10...30 VDC
Switch point drift	< ±10% Sr	< ±10% Sr	< ±10% Sr	< ±10% Sr
Load current	<200mA	<200mA	<200mA	<200mA
Voltage drop	< 2.5V	< 2.5V	< 2.5V	< 2.5V
Consumption current	<10mA	<10mA	<10mA	<10mA
Hysteresis	1...20%	1...20%	1...20%	1...20%
Repeat accuracy	<3%	<3%	<3%	<3%
Frequency	500Hz	300Hz	400Hz	200Hz
Output indicator	Yellow LED	Yellow LED	Yellow LED	Yellow LED
Polarity protection	yes	yes	yes	yes
Surge protection	yes	yes	yes	yes
Short-circuit protection	yes	yes	yes	yes
Ambient temperature	-25...+70°C	-25...+70°C	-25...+70°C	-25...+70°C
Ambient moisture	35...95%	35...95%	35...95%	35...95%
Protection degree	IP67	IP67	IP67	IP67
Housing material	PBT	PBT	PBT	PBT
Connection	2m PVC Cable	2m PVC Cable	2m PVC Cable	2m PVC Cable
Certification	CE U _L	CE U _L	CE U _L	CE U _L

* Cable material and length can be customized



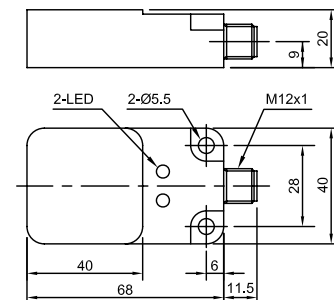
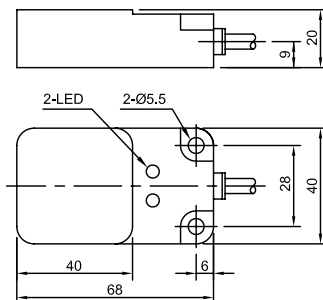
Item Code	LE68		LE68	
Mounting	● Flushed	◐ Non-flushed	● Flushed	◐ Non-flushed
Sensing distance	15mm	25mm	15mm	25mm



Output	NPN NO	LE68SF15DNO	LE68SN25DNO	LE68SF15DNO-E2	LE68SN25DNO-E2
	NPN NC	LE68SF15DNC	LE68SN25DNC	LE68SF15DNC-E2	LE68SN25DNC-E2
	NPN NO+NC	LE68SF15DNR	LE68SN25DNR	LE68SF15DNR-E2	LE68SN25DNR-E2
Output	PNP NO	LE68SF15DPO	LE68SN25DPO	LE68SF15DPO-E2	LE68SN25DPO-E2
	PNP NC	LE68SF15DPC	LE68SN25DPC	LE68SF15DPC-E2	LE68SN25DPC-E2
	PNP NO+NC	LE68SF15DPR	LE68SN25DPR	LE68SF15DPR-E2	LE68SN25DPR-E2

Technical Parameter				
Supply voltage	10...30 VDC	10...30 VDC	10...30 VDC	10...30 VDC
Switch point drift	< ±10% Sr	< ±10% Sr	< ±10% Sr	< ±10% Sr
Load current	<200mA	<200mA	<200mA	<200mA
Voltage drop	< 2.5V	< 2.5V	< 2.5V	< 2.5V
Consumption current	<10mA	<10mA	<10mA	<10mA
Hysteresis	1...20%	1...20%	1...20%	1...20%
Repeat accuracy	<3%	<3%	<3%	<3%
Frequency	500Hz	300Hz	500Hz	300Hz
Output indicator	Yellow LED	Yellow LED	Yellow LED	Yellow LED
Polarity protection	yes	yes	yes	yes
Surge protection	yes	yes	yes	yes
Short-circuit protection	yes	yes	yes	yes
Ambient temperature	-25...+70°C	-25...+70°C	-25...+70°C	-25...+70°C
Ambient moisture	35...95%	35...95%	35...95%	35...95%
Protection degree	IP67	IP67	IP67	IP67
Housing material	PBT	PBT	PBT	PBT
Connection	2m PVC Cable	2m PVC Cable	M12 Connector	M12 Connector
Certification	CE U _L	CE U _L	CE U _L	CE U _L

* Cable material and length can be customized



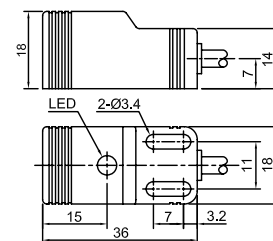
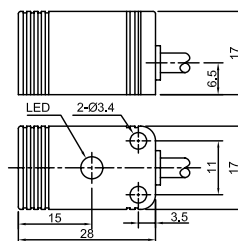
Item Code	LE17		LE18	
Mounting	● Flushed	◐ Non-flushed	● Flushed	◐ Non-flushed
Sensing distance	5mm	8mm	5mm	8mm



Output	DC 2 Wires NO	LE17SF05DLO	LE17SN08DLO	LE18SF05DLO	LE18SN08DLO
	DC 2 Wires NC	LE17SF05DLC	LE17SN08DLC	LE18SF05DLC	LE18SN08DLC

Technical Parameter				
Supply voltage	10...30 VDC	10...30 VDC	10...30 VDC	10...30 VDC
Switch point drift	< ±10% Sr	< ±10% Sr	< ±10% Sr	< ±10% Sr
Load current	<100mA	<100mA	<100mA	<100mA
Voltage drop	<8V	<8V	<8V	<8V
Leakage current	<1mA	<1mA	<1mA	<1mA
Hysteresis	1...20%	1...20%	1...20%	1...20%
Repeat accuracy	<3%	<3%	<3%	<3%
Frequency	500Hz	300Hz	500Hz	300Hz
Output indicator	Yellow LED	Yellow LED	Yellow LED	Yellow LED
Polarity protection	yes	yes	yes	yes
Surge protection	yes	yes	yes	yes
Short-circuit protection
Ambient temperature	-25...+70°C	-25...+70°C	-25...+70°C	-25...+70°C
Ambient moisture	35...95%	35...95%	35...95%	35...95%
Protection degree	IP67	IP67	IP67	IP67
Housing material	PBT	PBT	PBT	PBT
Connection	2m PVC Cable	2m PVC Cable	2m PVC Cable	2m PVC Cable
Certification	CE U _L	CE U _L	CE U _L	CE U _L

* Cable material and length can be customized



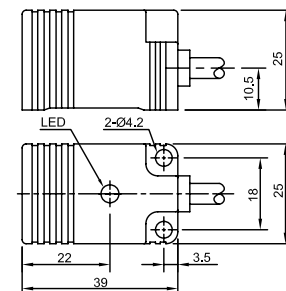
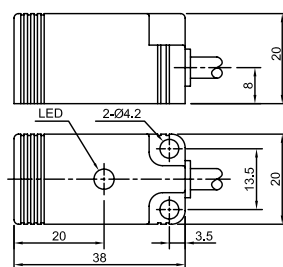
Item Code	LE20		LE25	
Mounting	● Flushed	◐ Non-flushed	● Flushed	◐ Non-flushed
Sensing distance	5mm	8mm	7mm	10mm



Output	DC 2 Wires NO	LE20SF05DLO	LE20SN08DLO	LE25SF07DLO	LE25SN10DLO
	DC 2 Wires NC	LE20SF05DLC	LE20SN08DLC	LE25SF07DLC	LE25SN10DLC

Technical Parameter				
Supply voltage	10...30 VDC	10...30 VDC	10...30 VDC	10...30 VDC
Switch point drift	<±10% Sr	<±10% Sr	<±10% Sr	<±10% Sr
Load current	<100mA	<100mA	<100mA	<100mA
Voltage drop	<8V	<8V	<8V	<8V
Leakage current	<1mA	<1mA	<1mA	<1mA
Hysteresis	1...20%	1...20%	1...20%	1...20%
Repeat accuracy	<3%	<3%	<3%	<3%
Frequency	500Hz	300Hz	500Hz	300Hz
Output indicator	Yellow LED	Yellow LED	Yellow LED	Yellow LED
Polarity protection	yes	yes	yes	yes
Surge protection	yes	yes	yes	yes
Short-circuit protection
Ambient temperature	-25...+70°C	-25...+70°C	-25...+70°C	-25...+70°C
Ambient moisture	35...95%	35...95%	35...95%	35...95%
Protection degree	IP67	IP67	IP67	IP67
Housing material	PBT	PBT	PBT	PBT
Connection	2m PVC Cable	2m PVC Cable	2m PVC Cable	2m PVC Cable
Certification	CE U _L	CE U _L	CE U _L	CE U _L

* Cable material and length can be customized



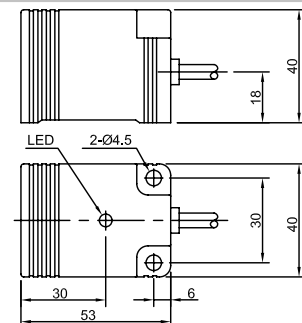
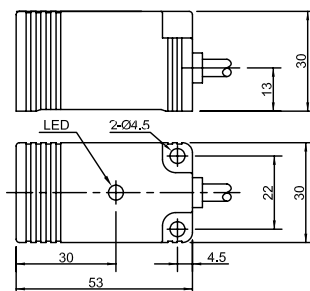
Item Code	LE30		LE40	
Mounting	● Flushed	◐ Non-flushed	● Flushed	◐ Non-flushed
Sensing distance	10mm	15mm	15mm	20mm



Output	DC 2 Wires NO	LE30SF10DLO	LE30SN15DLO	LE40SF15DLO	LE40SN20DLO
	DC 2 Wires NC	LE30SF10DLC	LE30SN15DLC	LE40SF15DLC	LE40SN20DLC

Technical Parameter				
Supply voltage	10...30 VDC	10...30 VDC	10...30 VDC	10...30 VDC
Switch point drift	< ±10% Sr	< ±10% Sr	< ±10% Sr	< ±10% Sr
Load current	<100mA	<100mA	<100mA	<100mA
Voltage drop	<6V	<6V	<6V	<6V
Leakage current	<1mA	<1mA	<1mA	<1mA
Hysteresis	1...20%	1...20%	1...20%	1...20%
Repeat accuracy	<3%	<3%	<3%	<3%
Frequency	500Hz	300Hz	500Hz	300Hz
Output indicator	Yellow LED	Yellow LED	Yellow LED	Yellow LED
Polarity protection	yes	yes	yes	yes
Surge protection	yes	yes	yes	yes
Short-circuit protection
Ambient temperature	-25...+70°C	-25...+70°C	-25...+70°C	-25...+70°C
Ambient moisture	35...95%	35...95%	35...95%	35...95%
Protection degree	IP67	IP67	IP67	IP67
Housing material	PBT	PBT	PBT	PBT
Connection	2m PVC Cable	2m PVC Cable	2m PVC Cable	2m PVC Cable
Certification	CE U _L	CE U _L	CE U _L	CE U _L

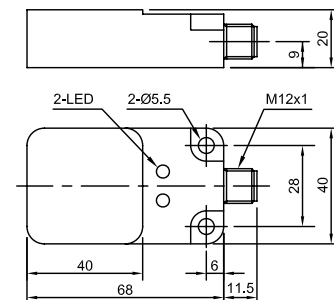
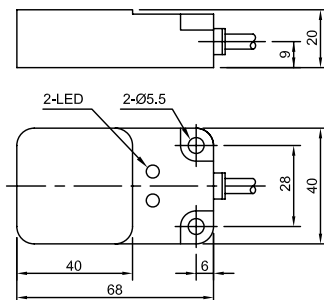
* Cable material and length can be customized



Item Code		LE68		LE68	
Mounting		● Flushed	◐ Non-flushed	● Flushed	◐ Non-flushed
Sensing distance		15mm	25mm	15mm	25mm
Output	DC 2 Wires NO	LE68SF15DLO	LE68SN25DLO	LE68SF15DLO-E2	LE68SN25DLO-E2
	DC 2 Wires NC	LE68SF15DLC	LE68SN25DLC	LE68SF15DLC-E2	LE68SN25DLC-E2

Technical Parameter					
Supply voltage		10...30 VDC	10...30 VDC	10...30 VDC	10...30 VDC
Switch point drift		< ±10% Sr	< ±10% Sr	< ±10% Sr	< ±10% Sr
Load current		<100mA	<100mA	<100mA	<100mA
Voltage drop		<6V	<6V	<6V	<6V
Leakage current		<1mA	<1mA	<1mA	<1mA
Hysteresis		1...20%	1...20%	1...20%	1...20%
Repeat accuracy		<3%	<3%	<3%	<3%
Frequency		500Hz	300Hz	500Hz	300Hz
Output indicator		Yellow LED	Yellow LED	Yellow LED	Yellow LED
Polarity protection		yes	yes	yes	yes
Surge protection		yes	yes	yes	yes
Short-circuit protection	
Ambient temperature		-25...+70°C	-25...+70°C	-25...+70°C	-25...+70°C
Ambient moisture		35...95%	35...95%	35...95%	35...95%
Protection degree		IP67	IP67	IP67	IP67
Housing material		PBT	PBT	PBT	PBT
Connection		2m PVC Cable	2m PVC Cable	M12 Connector	M12 Connector
Certification		CE U _L	CE U _L	CE U _L	CE U _L

* Cable material and length can be customized



Item Code	LE17		LE18	
Mounting	● Flushed	◐ Non-flushed	● Flushed	◐ Non-flushed
Sensing distance	5mm	8mm	5mm	8mm

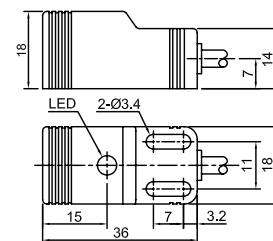
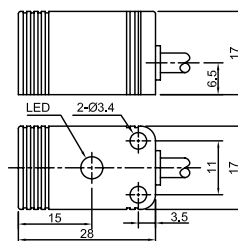


Output	AC 2 Wires NO	LE17SF05BTO	LE17SN08BTO	LE18SF05BTO	LE18SN08BTO
	AC 2 Wires NC	LE17SF05BTC	LE17SN08BTC	LE18SF05BTC	LE18SN08BTC

Technical Parameter

Supply voltage	90...250 VAC	90...250 VAC	90...250 VAC	90...250 VAC
Switch point drift	< ±10% Sr	< ±10% Sr	< ±10% Sr	< ±10% Sr
Load current	<200mA	<200mA	<200mA	<200mA
Voltage drop	<10V	<10V	<10V	<10V
Leakage current	<3mA	<3mA	<3mA	<3mA
Hysteresis	1...20%	1...20%	1...20%	1...20%
Repeat accuracy	<3%	<3%	<3%	<3%
Frequency	20Hz	20Hz	20Hz	20Hz
Output indicator	Yellow LED	Yellow LED	Yellow LED	Yellow LED
Polarity protection
Surge protection	yes	yes	yes	yes
Short-circuit protection
Ambient temperature	-25...+70°C	-25...+70°C	-25...+70°C	-25...+70°C
Ambient moisture	35...95%	35...95%	35...95%	35...95%
Protection degree	IP67	IP67	IP67	IP67
Housing material	PBT	PBT	PBT	PBT
Connection	2m PVC Cable	2m PVC Cable	2m PVC Cable	2m PVC Cable
Certification	CE U _L CCC	CE U _L CCC	CE U _L CCC	CE U _L CCC

* Cable material and length can be customized



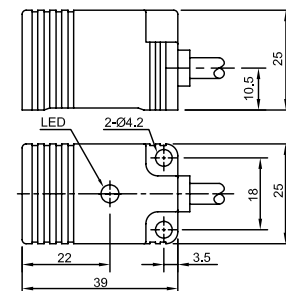
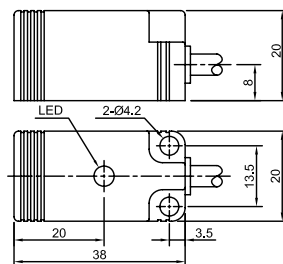
Item Code	LE20		LE25	
Mounting	● Flushed	◐ Non-flushed	● Flushed	◐ Non-flushed
Sensing distance	5mm	8mm	7mm	10mm



Output	AC 2 Wires NO	LE20SF05BTO	LE20SN08BTO	LE25SF07BTO	LE25SN10BTO
	AC 2 Wires NC	LE20SF05BTC	LE20SN08BTC	LE25SF07BTC	LE25SN10BTC

Technical Parameter				
Supply voltage	90...250 VAC	90...250 VAC	90...250 VAC	90...250 VAC
Switch point drift	<±10% Sr	<±10% Sr	<±10% Sr	<±10% Sr
Load current	<200mA	<200mA	<200mA	<200mA
Voltage drop	<10V	<10V	<10V	<10V
Leakage current	<3mA	<3mA	<3mA	<3mA
Hysteresis	1...20%	1...20%	1...20%	1...20%
Repeat accuracy	<3%	<3%	<3%	<3%
Frequency	20Hz	20Hz	20Hz	20Hz
Output indicator	Yellow LED	Yellow LED	Yellow LED	Yellow LED
Polarity protection
Surge protection	yes	yes	yes	yes
Short-circuit protection
Ambient temperature	-25...+70°C	-25...+70°C	-25...+70°C	-25...+70°C
Ambient moisture	35...95%	35...95%	35...95%	35...95%
Protection degree	IP67	IP67	IP67	IP67
Housing material	PBT	PBT	PBT	PBT
Connection	2m PVC Cable	2m PVC Cable	2m PVC Cable	2m PVC Cable
Certification	CE U _L CCC	CE U _L CCC	CE U _L CCC	CE U _L CCC

* Cable material and length can be customized



Item Code	LE30		LE40	
Mounting	● Flushed	◐ Non-flushed	● Flushed	◐ Non-flushed
Sensing distance	10mm	15mm	15mm	20mm

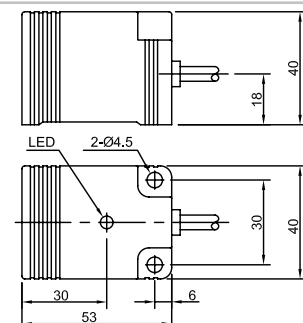
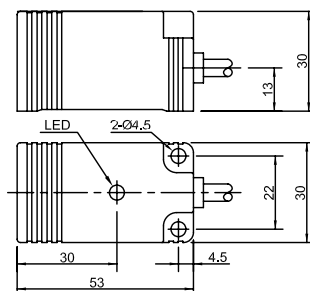


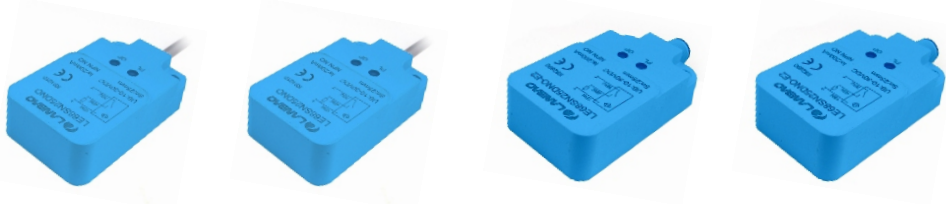
Output	AC 2 Wires NO	LE30SF10ATO	LE30SN15ATO	LE40SF15ATO	LE40SN20ATO
	AC 2 Wires NC	LE30SF10ATC	LE30SN15ATC	LE40SF15ATC	LE40SN20ATC

Technical Parameter

Supply voltage	20...250 VAC	20...250 VAC	20...250 VAC	20...250 VAC
Switch point drift	<±10% Sr	<±10% Sr	<±10% Sr	<±10% Sr
Load current	<300mA	<300mA	<300mA	<300mA
Voltage drop	<10V	<10V	<10V	<10V
Leakage current	<3mA	<3mA	<3mA	<3mA
Hysteresis	1...20%	1...20%	1...20%	1...20%
Repeat accuracy	<3%	<3%	<3%	<3%
Frequency	20Hz	20Hz	20Hz	20Hz
Output indicator	Yellow LED	Yellow LED	Yellow LED	Yellow LED
Polarity protection
Surge protection	yes	yes	yes	yes
Short-circuit protection
Ambient temperature	-25...+70°C	-25...+70°C	-25...+70°C	-25...+70°C
Ambient moisture	35...95%	35...95%	35...95%	35...95%
Protection degree	IP67	IP67	IP67	IP67
Housing material	PBT	PBT	PBT	PBT
Connection	2m PVC Cable	2m PVC Cable	2m PVC Cable	2m PVC Cable
Certification	CE U _L CCC	CE U _L CCC	CE U _L CCC	CE U _L CCC

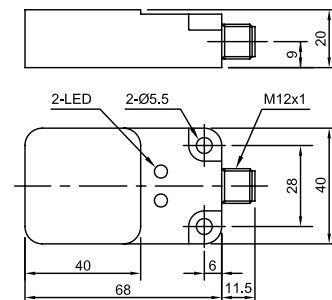
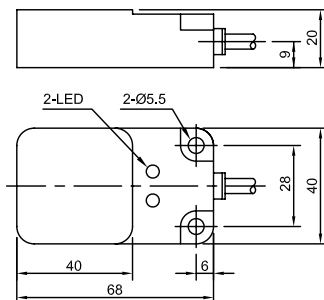
* Cable material and length can be customized



Item Code		LE68		LE68	
Mounting		● Flushed	◐ Non-flushed	● Flushed	◐ Non-flushed
Sensing distance		15mm	25mm	15mm	25mm
					
Output	AC 2 Wires NO	LE68SF15ATO	LE68SN25ATO	LE68SF15ATO-E2	LE68SN25ATO-E2
	AC 2 Wires NC	LE68SF15ATC	LE68SN25ATC	LE68SF15ATC-E2	LE68SN25ATC-E2

Technical Parameter					
Supply voltage		20...250 VAC	20...250 VAC	20...250 VAC	20...250 VAC
Switch point drift		< ±10% Sr	< ±10% Sr	< ±10% Sr	< ±10% Sr
Load current		< 300mA	< 300mA	< 300mA	< 300mA
Voltage drop		< 10V	< 10V	< 10V	< 10V
Leakage current		< 3mA	< 3mA	< 3mA	< 3mA
Hysteresis		1...20%	1...20%	1...20%	1...20%
Repeat accuracy		< 3%	< 3%	< 3%	< 3%
Frequency		20Hz	20Hz	20Hz	20Hz
Output indicator		Yellow LED	Yellow LED	Yellow LED	Yellow LED
Polarity protection	
Surge protection		yes	yes	yes	yes
Short-circuit protection	
Ambient temperature		-25...+70°C	-25...+70°C	-25...+70°C	-25...+70°C
Ambient moisture		35...95%	35...95%	35...95%	35...95%
Protection degree		IP67	IP67	IP67	IP67
Housing material		PBT	PBT	PBT	PBT
Connection		2m PVC Cable	2m PVC Cable	M12 Connector	M12 Connector
Certification		CE U _I CCC	CE U _I CCC	CE U _I CCC	CE U _I CCC

* Cable material and length can be customized

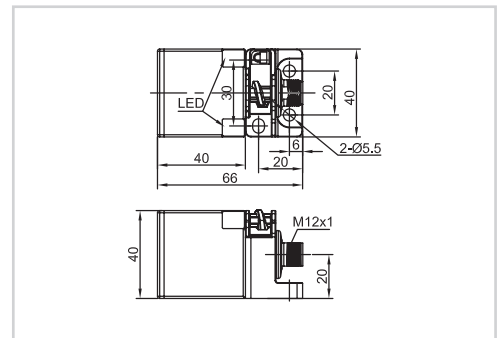
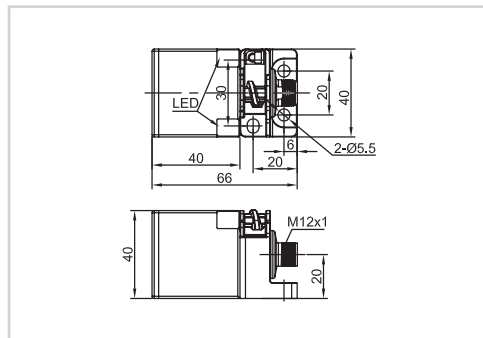



Item Code	LE40SZ		LE40SZ	
Mounting	● Flushed	◐ Non-flushed	● Flushed	◐ Non-flushed
Sensing distance	15mm	20mm	15mm	20mm



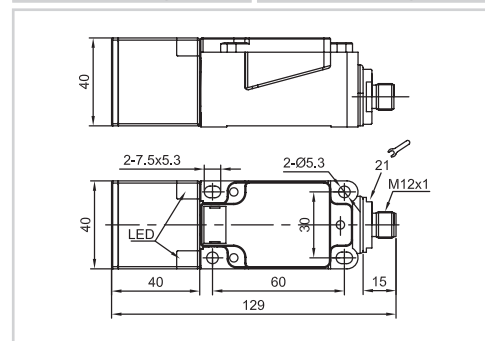
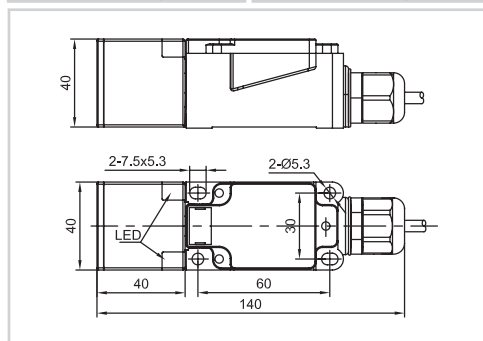
Output	NPN NO	LE40SZSF15DNO-E2	LE40SZSN20DNO-E2	LE40SZSF15ENO-E2	LE40SZSN20ENO-E2
	NPN NC	LE40SZSF15DNC-E2	LE40SZSN20DNC-E2	LE40SZSF15ENC-E2	LE40SZSN20ENC-E2
	NPN NO+NC	LE40SZSF15DNR-E2	LE40SZSN20DNR-E2	LE40SZSF15ENR-E2	LE40SZSN20ENR-E2
Output	PNP NO	LE40SZSF15DPO-E2	LE40SZSN20DPO-E2	LE40SZSF15EPO-E2	LE40SZSN20EPO-E2
	PNP NC	LE40SZSF15DPC-E2	LE40SZSN20DPC-E2	LE40SZSF15EPC-E2	LE40SZSN20EPC-E2
	PNP NO+NC	LE40SZSF15DPR-E2	LE40SZSN20DPR-E2	LE40SZSF15EPR-E2	LE40SZSN20EPR-E2

Technical Parameter				
Supply voltage	10...30 VDC	10...30 VDC	10...60 VDC	10...60 VDC
Temperature drift	< ±10%	< ±10%	< ±10%	< ±10%
Load current	<200mA	<200mA	<200mA	<200mA
Voltage drop	< 2.5V	< 2.5V	< 2.5V	< 2.5V
Consumption current	<10mA	<10mA	<10mA	<10mA
Hysteresis	1...20%	1...20%	1...20%	1...20%
Repeat accuracy	<3%	<3%	<3%	<3%
Frequency	500Hz	300Hz	500Hz	300Hz
Output indicator	Yellow LED	Yellow LED	Yellow LED	Yellow LED
Polarity protection	yes	yes	yes	yes
Surge protection	yes	yes	yes	yes
Short-circuit protection	yes	yes	yes	yes
Ambient temperature	-25...+70°C	-25...+70°C	-25...+70°C	-25...+70°C
Ambient moisture	35...95%	35...95%	35...95%	35...95%
Protection degree	IP67	IP67	IP67	IP67
Housing material	PBT	PBT	PBT	PBT
Connection	M12 Connector	M12 Connector	M12 Connector	M12 Connector
Certification	CE U _L	CE U _L	CE U _L	CE U _L



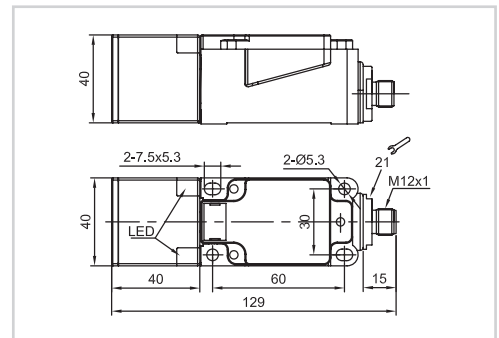
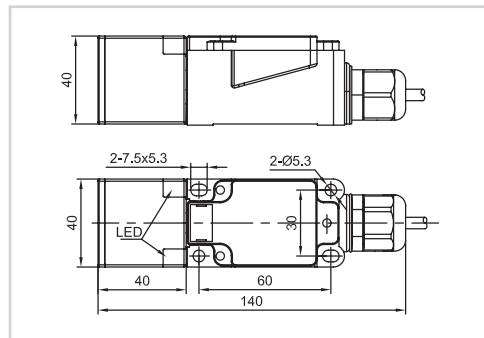
Item Code		LE40XZ		LE40XZ	
Mounting		● Flushed	◐ Non-flushed	● Flushed	◐ Non-flushed
Sensing distance		15mm	20mm	15mm	20mm
					
Output	NPN NO	LE40XZSF15DNO-D	LE40XZSN20DNO-D	LE40XZSF15DNO-E2	LE40XZSN20DNO-E2
	NPN NC	LE40XZSF15DNC-D	LE40XZSN20DNC-D	LE40XZSF15DNC-E2	LE40XZSN20DNC-E2
	NPN NO+NC	LE40XZSF15DNR-D	LE40XZSN20DNR-D	LE40XZSF15DNR-E2	LE40XZSN20DNR-E2
Output	PNP NO	LE40XZSF15DPO-D	LE40XZSN20DPO-D	LE40XZSF15DPO-E2	LE40XZSN20DPO-E2
	PNP NC	LE40XZSF15DPC-D	LE40XZSN20DPC-D	LE40XZSF15DPC-E2	LE40XZSN20DPC-E2
	PNP NO+NC	LE40XZSF15DPR-D	LE40XZSN20DPR-D	LE40XZSF15DPR-E2	LE40XZSN20DPR-E2

Technical Parameter				
Supply voltage	10...30 VDC	10...30 VDC	10...30 VDC	10...30 VDC
Temperature drift	< ±10%	< ±10%	< ±10%	< ±10%
Load current	<200mA	<200mA	<200mA	<200mA
Voltage drop	< 2.5V	< 2.5V	< 2.5V	< 2.5V
Consumption current	<10mA	<10mA	<10mA	<10mA
Hysteresis	1...20%	1...20%	1...20%	1...20%
Repeat accuracy	<3%	<3%	<3%	<3%
Frequency	500Hz	300Hz	500Hz	300Hz
Output indicator	Yellow LED	Yellow LED	Yellow LED	Yellow LED
Polarity protection	yes	yes	yes	yes
Surge protection	yes	yes	yes	yes
Short-circuit protection	yes	yes	yes	yes
Ambient temperature	-25...+70°C	-25...+70°C	-25...+70°C	-25...+70°C
Ambient moisture	35...95%	35...95%	35...95%	35...95%
Protection degree	IP67	IP67	IP67	IP67
Housing material	PBT	PBT	PBT	PBT
Connection	Terminal connect	Terminal connect	M12 Connector	M12 Connector
Certification	CE U _L	CE U _L	CE U _L	CE U _L



Item Code		LE40XZ		LE40XZ	
Mounting		● Flushed	◐ Non-flushed	● Flushed	◐ Non-flushed
Sensing distance		15mm	20mm	15mm	20mm
					
Output	NPN NO	LE40XZSF15ENO-D	LE40XZSN20ENO-D	LE40XZSF15ENO-E2	LE40XZSN20ENO-E2
	NPN NC	LE40XZSF15ENC-D	LE40XZSN20ENC-D	LE40XZSF15ENC-E2	LE40XZSN20ENC-E2
	NPN NO+NC	LE40XZSF15ENR-D	LE40XZSN20ENR-D	LE40XZSF15ENR-E2	LE40XZSN20ENR-E2
Output	PNP NO	LE40XZSF15EPO-D	LE40XZSN20EPO-D	LE40XZSF15EPO-E2	LE40XZSN20EPO-E2
	PNP NC	LE40XZSF15EPC-D	LE40XZSN20EPC-D	LE40XZSF15EPC-E2	LE40XZSN20EPC-E2
	PNP NO+NC	LE40XZSF15EPR-D	LE40XZSN20EPR-D	LE40XZSF15EPR-E2	LE40XZSN20EPR-E2

Technical Parameter				
Supply voltage	10...60 VDC	10...60 VDC	10...60 VDC	10...60 VDC
Temperature drift	< ±10%	< ±10%	< ±10%	< ±10%
Load current	<200mA	<200mA	<200mA	<200mA
Voltage drop	< 2.5V	< 2.5V	< 2.5V	< 2.5V
Consumption current	<10mA	<10mA	<10mA	<10mA
Hysteresis	1...20%	1...20%	1...20%	1...20%
Repeat accuracy	<3%	<3%	<3%	<3%
Frequency	500Hz	300Hz	500Hz	300Hz
Output indicator	Yellow LED	Yellow LED	Yellow LED	Yellow LED
Polarity protection	yes	yes	yes	yes
Surge protection	yes	yes	yes	yes
Short-circuit protection	yes	yes	yes	yes
Ambient temperature	-25...+70°C	-25...+70°C	-25...+70°C	-25...+70°C
Ambient moisture	35...95%	35...95%	35...95%	35...95%
Protection degree	IP67	IP67	IP67	IP67
Housing material	PBT	PBT	PBT	PBT
Connection	Terminal connect	Terminal connect	M12 Connector	M12 Connector
Certification	CE U _L	CE U _L	CE U _L	CE U _L

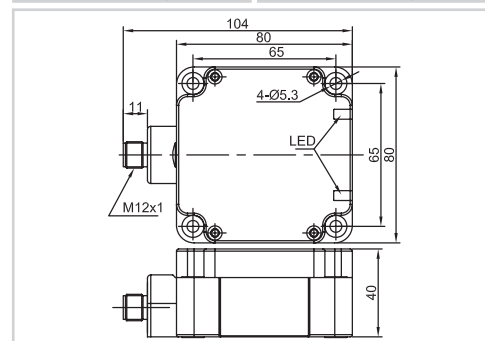
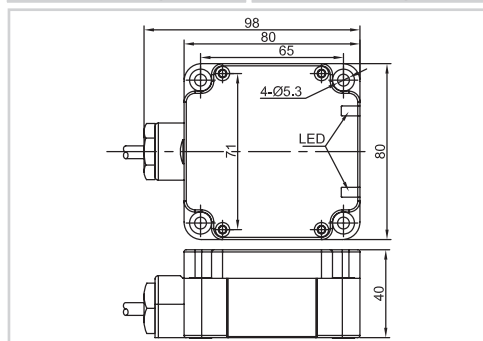


Item Code	LE80XZ		LE80XZ	
Mounting	● Flushed	◐ Non-flushed	● Flushed	◐ Non-flushed
Sensing distance	40mm	50mm	40mm	50mm



Output	NPN NO	LE80XZSF40DNO-D	LE80XZSN50DNO-D	LE80XZSF40DNO-E2	LE80XZSN50DNO-E2
	NPN NC	LE80XZSF40DNC-D	LE80XZSN50DNC-D	LE80XZSF40DNC-E2	LE80XZSN50DNC-E2
	NPN NO+NC	LE80XZSF40DNR-D	LE80XZSN50DNR-D	LE80XZSF40DNR-E2	LE80XZSN50DNR-E2
Output	PNP NO	LE80XZSF40DPO-D	LE80XZSN50DPO-D	LE80XZSF40DPO-E2	LE80XZSN50DPO-E2
	PNP NC	LE80XZSF40DPC-D	LE80XZSN50DPC-D	LE80XZSF40DPC-E2	LE80XZSN50DPC-E2
	PNP NO+NC	LE80XZSF40DPR-D	LE80XZSN50DPR-D	LE80XZSF40DPR-E2	LE80XZSN50DPR-E2

Technical Parameter				
Supply voltage	10...30 VDC	10...30 VDC	10...30 VDC	10...30 VDC
Temperature drift	< ±10%	< ±10%	< ±10%	< ±10%
Load current	<200mA	<200mA	<200mA	<200mA
Voltage drop	< 2.5V	< 2.5V	< 2.5V	< 2.5V
Consumption current	<10mA	<10mA	<10mA	<10mA
Hysteresis	1...20%	1...20%	1...20%	1...20%
Repeat accuracy	<3%	<3%	<3%	<3%
Frequency	100Hz	50Hz	100Hz	50Hz
Output indicator	Yellow LED	Yellow LED	Yellow LED	Yellow LED
Polarity protection	yes	yes	yes	yes
Surge protection	yes	yes	yes	yes
Short-circuit protection	yes	yes	yes	yes
Ambient temperature	-25...+70°C	-25...+70°C	-25...+70°C	-25...+70°C
Ambient moisture	35...95%	35...95%	35...95%	35...95%
Protection degree	IP67	IP67	IP67	IP67
Housing material	PBT	PBT	PBT	PBT
Connection	Terminal connect	Terminal connect	M12 Connector	M12 Connector
Certification	CE U _L	CE U _L	CE U _L	CE U _L

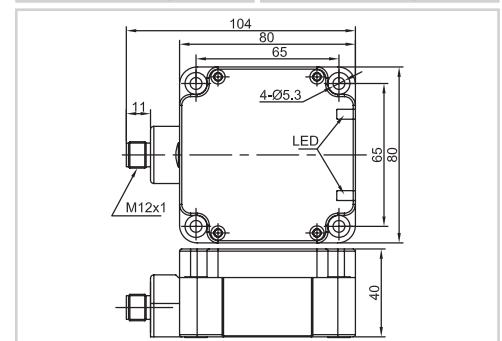
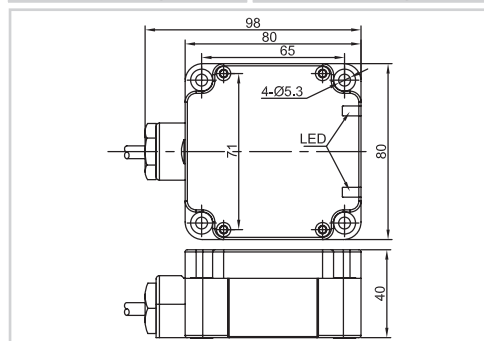


Item Code	LE80XZ		LE80XZ	
Mounting	● Flushed	◐ Non-flushed	● Flushed	◐ Non-flushed
Sensing distance	40mm	50mm	40mm	50mm



Output	NPN NO	LE80XZSF40ENO-D	LE80XZSN50ENO-D	LE80XZSF40ENO-E2	LE80XZSN50ENO-E2
	NPN NC	LE80XZSF40ENC-D	LE80XZSN50ENC-D	LE80XZSF40ENC-E2	LE80XZSN50ENC-E2
	NPN NO+NC	LE80XZSF40ENR-D	LE80XZSN50ENR-D	LE80XZSF40ENR-E2	LE80XZSN50ENR-E2
Output	PNP NO	LE80XZSF40EPO-D	LE80XZSN50EPO-D	LE80XZSF40EPO-E2	LE80XZSN50EPO-E2
	PNP NC	LE80XZSF40EPC-D	LE80XZSN50EPC-D	LE80XZSF40EPC-E2	LE80XZSN50EPC-E2
	PNP NO+NC	LE80XZSF40EPR-D	LE80XZSN50EPR-D	LE80XZSF40EPR-E2	LE80XZSN50EPR-E2

Technical Parameter				
Supply voltage	10...60 VDC	10...60 VDC	10...60 VDC	10...60 VDC
Temperature drift	< ±10%	< ±10%	< ±10%	< ±10%
Load current	<200mA	<200mA	<200mA	<200mA
Voltage drop	< 2.5V	< 2.5V	< 2.5V	< 2.5V
Consumption current	<10mA	<10mA	<10mA	<10mA
Hysteresis	1...20%	1...20%	1...20%	1...20%
Repeat accuracy	<3%	<3%	<3%	<3%
Frequency	100Hz	50Hz	100Hz	50Hz
Output indicator	Yellow LED	Yellow LED	Yellow LED	Yellow LED
Polarity protection	yes	yes	yes	yes
Surge protection	yes	yes	yes	yes
Short-circuit protection	yes	yes	yes	yes
Ambient temperature	-25...+70°C	-25...+70°C	-25...+70°C	-25...+70°C
Ambient moisture	35...95%	35...95%	35...95%	35...95%
Protection degree	IP67	IP67	IP67	IP67
Housing material	PBT	PBT	PBT	PBT
Connection	Terminal connect	Terminal connect	M12 Connector	M12 Connector
Certification	CE U _L	CE U _L	CE U _L	CE U _L



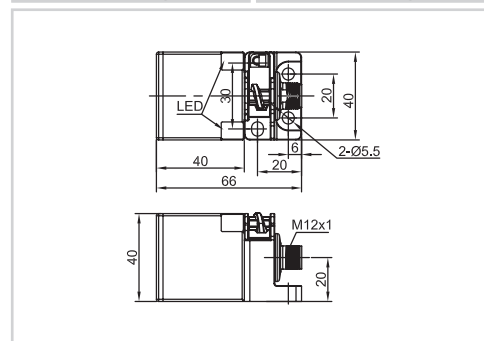
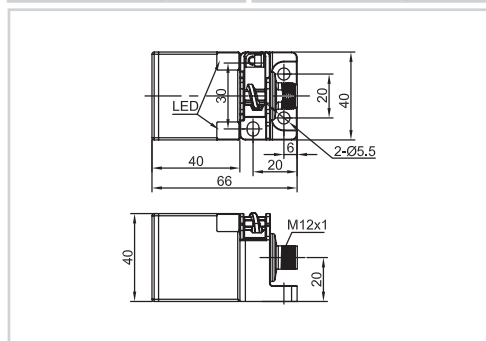
Item Code	LE40SZ		LE40SZ	
Mounting	● Flushed	◐ Non-flushed	● Flushed	◐ Non-flushed
Sensing distance	15mm	20mm	15mm	20mm







Output	DC 2 Wires NO	LE40SZSF15DLO-E2	LE40SZSN20DLO-E2	LE40SZSF15ELO-E2	LE40SZSN20ELO-E2
	DC 2 Wires NC	LE40SZSF15DLC-E2	LE40SZSN20DLC-E2	LE40SZSF15ELC-E2	LE40SZSN20ELC-E2

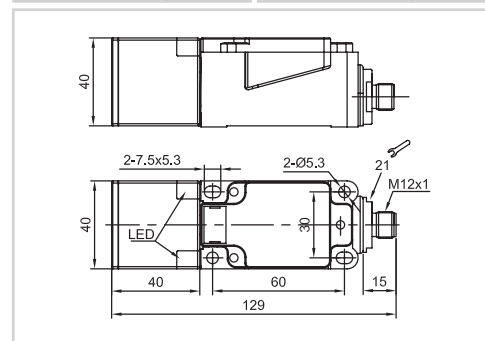
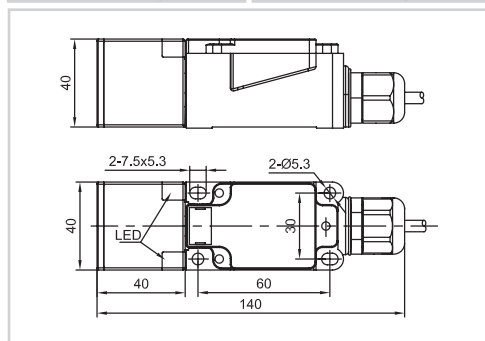
Technical Parameter



Supply voltage	10...30 VDC	10...30 VDC	10...60 VDC	10...60 VDC
Temperature drift	< ±10%	< ±10%	< ±10%	< ±10%
Load current	<100mA	<100mA	<100mA	<100mA
Voltage drop	< 6V	< 6V	< 6V	< 6V
Leakage current	<1mA	<1mA	<1mA	<1mA
Hysteresis	1...20%	1...20%	1...20%	1...20%
Repeat accuracy	<3%	<3%	<3%	<3%
Frequency	500Hz	300Hz	500Hz	300Hz
Output indicator	Yellow LED	Yellow LED	Yellow LED	Yellow LED
Polarity protection	yes	yes	yes	yes
Surge protection	yes	yes	yes	yes
Short-circuit protection
Ambient temperature	-25...+70°C	-25...+70°C	-25...+70°C	-25...+70°C
Ambient moisture	35...95%	35...95%	35...95%	35...95%
Protection degree	IP67	IP67	IP67	IP67
Housing material	PBT	PBT	PBT	PBT
Connection	M12 Connector	M12 Connector	M12 Connector	M12 Connector
Certification	CE U _L	CE U _L	CE U _L	CE U _L



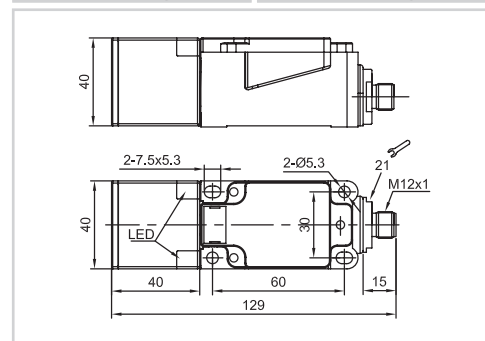
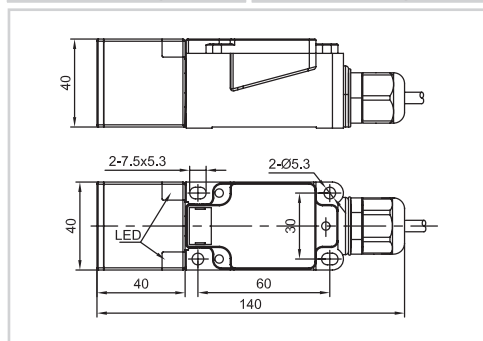
Item Code		LE40XZ		LE40XZ	
Mounting		● Flushed	◐ Non-flushed	● Flushed	◐ Non-flushed
Sensing distance		15mm	20mm	15mm	20mm
					
Output	DC 2 Wires NO	LE40XZSF15DLO-D	LE40XZSN20DLO-D	LE40XZSF15DLO-E2	LE40XZSN20DLO-E2
	DC 2 Wires NC	LE40XZSF15DLC-D	LE40XZSN20DLC-D	LE40XZSF15DLC-E2	LE40XZSN20DLC-E2

Technical Parameter				
Supply voltage	10...30 VDC	10...30 VDC	10...30 VDC	10...30 VDC
Temperature drift	< ±10%	< ±10%	< ±10%	< ±10%
Load current	<100mA	<100mA	<100mA	<100mA
Voltage drop	< 6V	< 6V	< 6V	< 6V
Leakage current	<1mA	<1mA	<1mA	<1mA
Hysteresis	1...20%	1...20%	1...20%	1...20%
Repeat accuracy	<3%	<3%	<3%	<3%
Frequency	500Hz	300Hz	500Hz	300Hz
Output indicator	Yellow LED	Yellow LED	Yellow LED	Yellow LED
Polarity protection	yes	yes	yes	yes
Surge protection	yes	yes	yes	yes
Short-circuit protection
Ambient temperature	-25...+70°C	-25...+70°C	-25...+70°C	-25...+70°C
Ambient moisture	35...95%	35...95%	35...95%	35...95%
Protection degree	IP67	IP67	IP67	IP67
Housing material	PBT	PBT	PBT	PBT
Connection	Terminal connect	Terminal connect	M12 Connector	M12 Connector
Certification	CE U _L	CE U _L	CE U _L	CE U _L



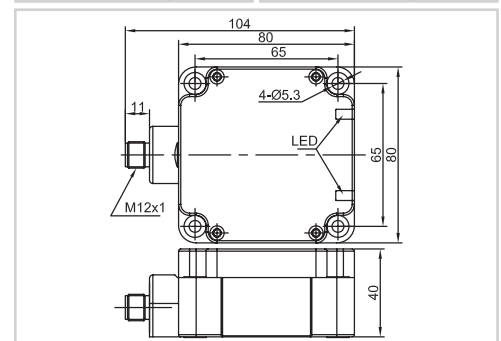
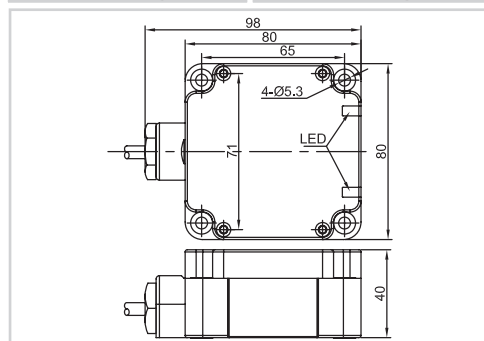
Item Code		LE40XZ		LE40XZ	
Mounting		● Flushed	◐ Non-flushed	● Flushed	◐ Non-flushed
Sensing distance		15mm	20mm	15mm	20mm
					
Output	DC 2 Wires NO	LE40XZSF15ELO-D	LE40XZSN20ELO-D	LE40XZSF15ELO-E2	LE40XZSN20ELO-E2
	DC 2 Wires NC	LE40XZSF15ELC-D	LE40XZSN20ELC-D	LE40XZSF15ELC-E2	LE40XZSN20ELC-E2



Technical Parameter					
Supply voltage		10...60 VDC	10...60 VDC	10...60 VDC	10...60 VDC
Temperature drift		< ±10%	< ±10%	< ±10%	< ±10%
Load current		<100mA	<100mA	<100mA	<100mA
Voltage drop		< 6V	< 6V	< 6V	< 6V
Leakage current		<1mA	<1mA	<1mA	<1mA
Hysteresis		1...20%	1...20%	1...20%	1...20%
Repeat accuracy		<3%	<3%	<3%	<3%
Frequency		500Hz	300Hz	500Hz	300Hz
Output indicator		Yellow LED	Yellow LED	Yellow LED	Yellow LED
Polarity protection		yes	yes	yes	yes
Surge protection		yes	yes	yes	yes
Short-circuit protection	
Ambient temperature		-25...+70°C	-25...+70°C	-25...+70°C	-25...+70°C
Ambient moisture		35...95%	35...95%	35...95%	35...95%
Protection degree		IP67	IP67	IP67	IP67
Housing material		PBT	PBT	PBT	PBT
Connection		Terminal connect	Terminal connect	M12 Connector	M12 Connector
Certification		CE U _L	CE U _L	CE U _L	CE U _L



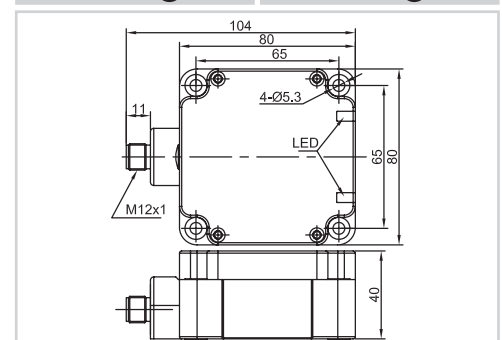
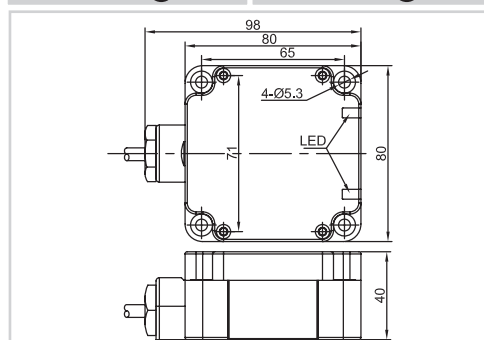
Item Code		LE80XZ		LE80XZ	
Mounting		● Flushed	◐ Non-flushed	● Flushed	◐ Non-flushed
Sensing distance		40mm	50mm	40mm	50mm
					
Output	DC 2 Wires NO	LE80XZSF40DLO-D	LE80XZSN50DLO-D	LE80XZSF40DLO-E2	LE80XZSN50DLO-E2
	DC 2 Wires NC	LE80XZSF40DLC-D	LE80XZSN50DLC-D	LE80XZSF40DLC-E2	LE80XZSN50DLC-E2

Technical Parameter					
Supply voltage		10...30 VDC	10...30 VDC	10...30 VDC	10...30 VDC
Temperature drift		< ±10%	< ±10%	< ±10%	< ±10%
Load current		<100mA	<100mA	<100mA	<100mA
Voltage drop		< 6V	< 6V	< 6V	< 6V
Leakage current		<1mA	<1mA	<1mA	<1mA
Hysteresis		1...20%	1...20%	1...20%	1...20%
Repeat accuracy		<3%	<3%	<3%	<3%
Frequency		80Hz	40Hz	80Hz	40Hz
Output indicator		Yellow LED	Yellow LED	Yellow LED	Yellow LED
Polarity protection		yes	yes	yes	yes
Surge protection		yes	yes	yes	yes
Short-circuit protection	
Ambient temperature		-25...+70°C	-25...+70°C	-25...+70°C	-25...+70°C
Ambient moisture		35...95%	35...95%	35...95%	35...95%
Protection degree		IP67	IP67	IP67	IP67
Housing material		PBT	PBT	PBT	PBT
Connection		Terminal connect	Terminal connect	M12 Connector	M12 Connector
Certification		CE U _L	CE U _L	CE U _L	CE U _L



Item Code		LE80XZ		LE80XZ	
Mounting		● Flushed	◐ Non-flushed	● Flushed	◐ Non-flushed
Sensing distance		40mm	50mm	40mm	50mm
					
Output	DC 2 Wires NO	LE80XZSF40ELO-D	LE80XZSN50ELO-D	LE80XZSF40ELO-E2	LE80XZSN50ELO-E2
	DC 2 Wires NC	LE80XZSF40ELC-D	LE80XZSN50ELC-D	LE80XZSF40ELC-E2	LE80XZSN50ELC-E2

Technical Parameter					
Supply voltage		10...60 VDC	10...60 VDC	10...60 VDC	10...60 VDC
Temperature drift		< ±10%	< ±10%	< ±10%	< ±10%
Load current		<100mA	<100mA	<100mA	<100mA
Voltage drop		< 6V	< 6V	< 6V	< 6V
Leakage current		<1mA	<1mA	<1mA	<1mA
Hysteresis		1...20%	1...20%	1...20%	1...20%
Repeat accuracy		<3%	<3%	<3%	<3%
Frequency		80Hz	40Hz	80Hz	40Hz
Output indicator		Yellow LED	Yellow LED	Yellow LED	Yellow LED
Polarity protection		yes	yes	yes	yes
Surge protection		yes	yes	yes	yes
Short-circuit protection	
Ambient temperature		-25...+70°C	-25...+70°C	-25...+70°C	-25...+70°C
Ambient moisture		35...95%	35...95%	35...95%	35...95%
Protection degree		IP67	IP67	IP67	IP67
Housing material		PBT	PBT	PBT	PBT
Connection		Terminal connect	Terminal connect	M12 Connector	M12 Connector
Certification		CE U _L	CE U _L	CE U _L	CE U _L



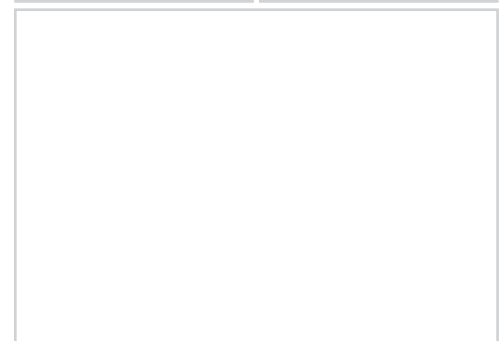
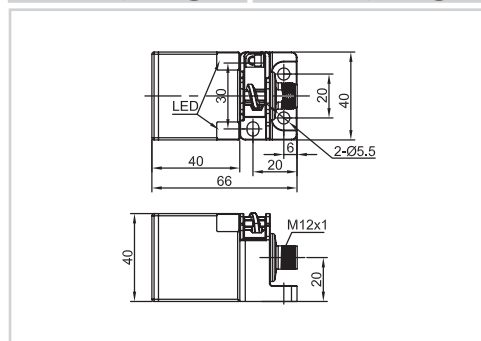
Item Code	LE40SZ			
Mounting	● Flushed	● Non-flushed		
Sensing distance	15mm	20mm		







Output	AC 2 Wires NO	LE40SZSF15ATO-E2	LE40SZSN20ATO-E2		
	AC 2 Wires NC	LE40SZSF15ATC-E2	LE40SZSN20ATC-E2		

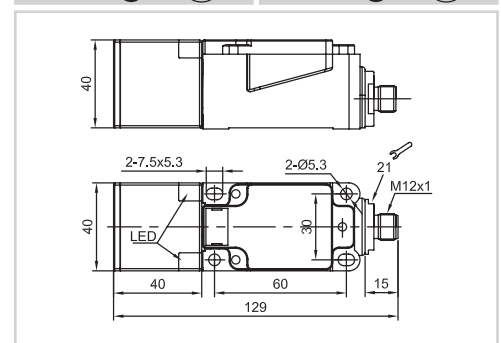
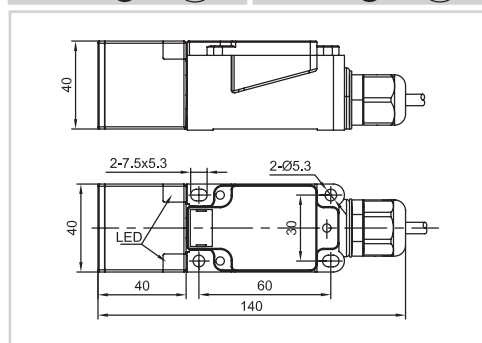
Technical Parameter


Supply voltage	20...250 VAC	20...250 VAC		
Temperature drift	< ±10%	< ±10%		
Load current	<300mA	<300mA		
Voltage drop	< 10V	< 10V		
Leakage current	<3mA	<3mA		
Hysteresis	1...20%	1...20%		
Repeat accuracy	<3%	<3%		
Frequency	20Hz	20Hz		
Output indicator	Yellow LED	Yellow LED		
Polarity protection		
Surge protection	yes	yes		
Short-circuit protection		
Ambient temperature	-25...+70°C	-25...+70°C		
Ambient moisture	35...95%	35...95%		
Protection degree	IP67	IP67		
Housing material	PBT	PBT		
Connection	M12 Connector	M12 Connector		
Certification	CE U _L CCC	CE U _L CCC		



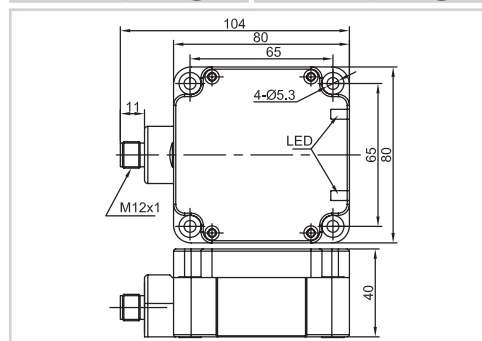
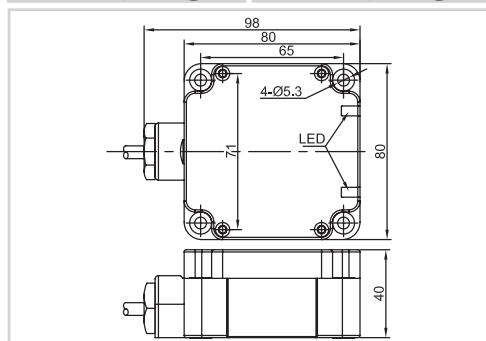
Item Code		LE40XZ		LE40XZ	
Mounting		● Flushed	◐ Non-flushed	● Flushed	◐ Non-flushed
Sensing distance		15mm	20mm	15mm	20mm
					
Output	AC 2 Wires NO	LE40XZSF15ATO-D	LE40XZSN20ATO-D	LE40XZSF15ATO-E2	LE40XZSN20ATO-E2
	AC 2 Wires NC	LE40XZSF15ATC-D	LE40XZSN20ATC-D	LE40XZSF15ATC-E2	LE40XZSN20ATC-E2

Technical Parameter					
Supply voltage		20...250 VAC	20...250 VAC	20...250 VAC	20...250 VAC
Temperature drift		< ±10%	< ±10%	< ±10%	< ±10%
Load current		<300mA	<300mA	<300mA	<300mA
Voltage drop		< 10V	< 10V	< 10V	< 10V
Leakage current		<3mA	<3mA	<3mA	<3mA
Hysteresis		1...20%	1...20%	1...20%	1...20%
Repeat accuracy		<3%	<3%	<3%	<3%
Frequency		20Hz	20Hz	20Hz	20Hz
Output indicator		Yellow LED	Yellow LED	Yellow LED	Yellow LED
Polarity protection	
Surge protection		yes	yes	yes	yes
Short-circuit protection	
Ambient temperature		-25...+70°C	-25...+70°C	-25...+70°C	-25...+70°C
Ambient moisture		35...95%	35...95%	35...95%	35...95%
Protection degree		IP67	IP67	IP67	IP67
Housing material		PBT	PBT	PBT	PBT
Connection		Terminal connect	Terminal connect	M12 Connector	M12 Connector
Certification		CE U _L CCC	CE U _L CCC	CE U _L CCC	CE U _L CCC



Item Code		LE80XZ		LE80XZ	
Mounting		● Flushed	◐ Non-flushed	● Flushed	◐ Non-flushed
Sensing distance		40mm	50mm	40mm	50mm
					
Output	AC 2 Wires NO	LE80XZSF40ATO-D	LE80XZSN50ATO-D	LE80XZSF40ATO-E2	LE80XZSN50ATO-E2
	AC 2 Wires NC	LE80XZSF40ATC-D	LE80XZSN50ATC-D	LE80XZSF40ATC-E2	LE80XZSN50ATC-E2

Technical Parameter					
Supply voltage		20...250 VAC	20...250 VAC	20...250 VAC	20...250 VAC
Temperature drift		< ±10%	< ±10%	< ±10%	< ±10%
Load current		<300mA	<300mA	<300mA	<300mA
Voltage drop		<10V	<10V	<10V	<10V
Leakage current		<3mA	<3mA	<3mA	<3mA
Hysteresis		1...20%	1...20%	1...20%	1...20%
Repeat accuracy		<3%	<3%	<3%	<3%
Frequency		10Hz	10Hz	10Hz	10Hz
Output indicator		Yellow LED	Yellow LED	Yellow LED	Yellow LED
Polarity protection	
Surge protection		yes	yes	yes	yes
Short-circuit protection	
Ambient temperature		-25...+70°C	-25...+70°C	-25...+70°C	-25...+70°C
Ambient moisture		35...95%	35...95%	35...95%	35...95%
Protection degree		IP67	IP67	IP67	IP67
Housing material		PBT	PBT	PBT	PBT
Connection		Terminal connect	Terminal connect	M12 Connector	M12 Connector
Certification		CE U _L CCC	CE U _L CCC	CE U _L CCC	CE U _L CCC



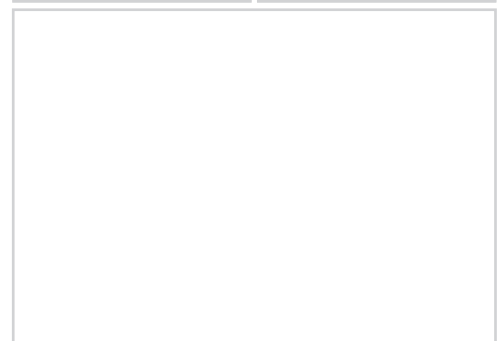
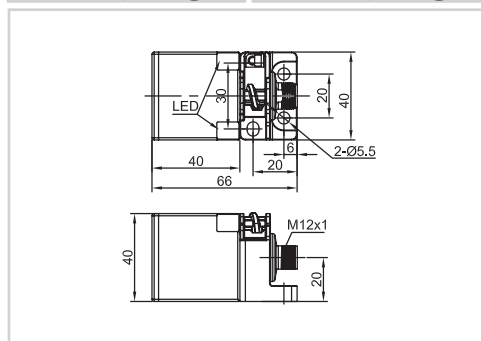
Item Code	LE40SZ	
Mounting	● Flushed	◐ Non-flushed
Sensing distance	15mm	20mm





Output	DC/AC 2 Wires NO	LE40SZSF15SBO-E2	LE40SZSN20SBO-E2
	DC/AC 2 Wires NC	LE40SZSF15SBC-E2	LE40SZSN20SBC-E2
	DC/AC 2 Wires NO/NC	LE40SZSF15SBB-E2	LE40SZSN20SBB-E2

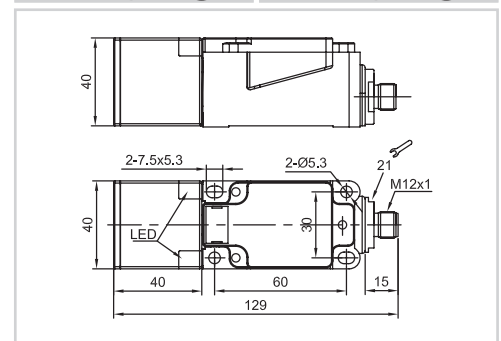
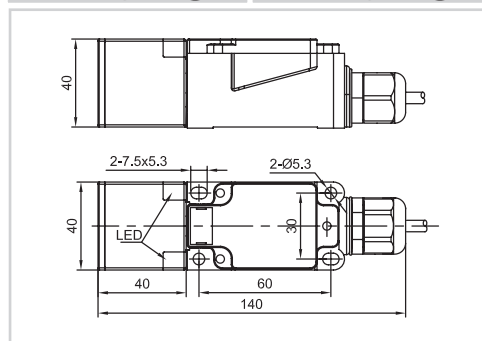
Technical Parameter

Supply voltage	20-250VAC/DC	
Temperature drift	< ±10%	
Load current	AC: <300mA, DC: <100mA	
Voltage drop	AC:<10V, DC:<8V	
Leakage current	AC: <3mA, DC: <1mA	
Hysteresis	1...20%	
Repeat accuracy	<3%	
Frequency	AC: 20Hz, DC: 100Hz	
Output indicator	Yellow LED	Yellow LED
Polarity protection
Surge protection	yes	yes
Short-circuit protection
Ambient temperature	-25...+70°C	-25...+70°C
Ambient moisture	35...95%	35...95%
Protection degree	IP67	IP67
Housing material	PBT	PBT
Connection	M12 Connector	M12 Connector
Certification	CE U _I CCC	CE U _I CCC





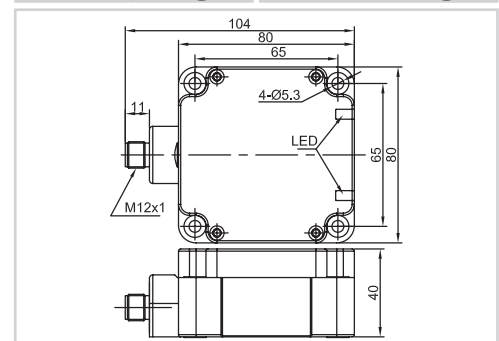
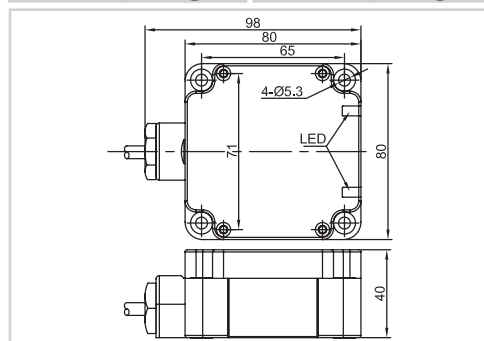
Item Code		LE40XZ		LE40XZ	
Mounting		● Flushed	◐ Non-flushed	● Flushed	◐ Non-flushed
Sensing distance		15mm	20mm	15mm	20mm
					
Output	DC/AC 2 Wires NO	LE40XZSF15SBO-D	LE40XZSN20SBO-D	LE40XZSF15SBO-E2	LE40XZSN20SBO-E2
	DC/AC 2 Wires NC	LE40XZSF15SBC-D	LE40XZSN20SBC-D	LE40XZSF15SBC-E2	LE40XZSN20SBC-E2
	DC/AC 2 Wires NO/NC	LE40XZSF15SBB-D	LE40XZSN20SBB-D	LE40XZSF15SBB-E2	LE40XZSN20SBB-E2

Technical Parameter					
Supply voltage	20-250VAC/DC		20-250VAC/DC		
Temperature drift	< ±10%		< ±10%		
Load current	AC: <300mA, DC: <100mA		AC: <300mA, DC: <100mA		
Voltage drop	AC:<10V, DC:<8V		AC:<10V, DC:<8V		
Leakage current	AC: <3mA, DC: <1mA		AC: <3mA, DC: <1mA		
Hysteresis	1...20%		1...20%		
Repeat accuracy	<3%		<3%		
Frequency	AC: 20Hz, DC: 100Hz		AC: 20Hz, DC: 100Hz		
Output indicator	Yellow LED	Yellow LED	Yellow LED	Yellow LED	
Polarity protection	
Surge protection	yes	yes	yes	yes	
Short-circuit protection	
Ambient temperature	-25...+70°C		-25...+70°C		
Ambient moisture	35...95%		35...95%		
Protection degree	IP67		IP67		
Housing material	PBT		PBT		
Connection	Terminal connect	Terminal connect	M12 Connector	M12 Connector	
Certification					



Item Code		LE80XZ		LE80XZ	
Mounting		● Flushed	◐ Non-flushed	● Flushed	◐ Non-flushed
Sensing distance		40mm	50mm	40mm	50mm
					
Output	DC/AC 2 Wires NO	LE80XZSF40SBO-D	LE80XZSN50SBO-D	LE80XZSF40SBO-E2	LE80XZSN50SBO-E2
	DC/AC 2 Wires NC	LE80XZSF40SBC-D	LE80XZSN50SBC-D	LE80XZSF40SBC-E2	LE80XZSN50SBC-E2
	DC/AC 2 Wires NO/NC	LE80XZSF40SBB-D	LE80XZSN50SBB-D	LE80XZSF40SBB-E2	LE80XZSN50SBB-E2

Technical Parameter					
Supply voltage	20-250VAC/DC		20-250VAC/DC		
Temperature drift	< ±10%		< ±10%		
Load current	AC: <300mA, DC: <100mA		AC: <300mA, DC: <100mA		
Voltage drop	AC:<10V, DC:<8V		AC:<10V, DC:<8V		
Leakage current	AC: <3mA, DC: <1mA		AC: <3mA, DC: <1mA		
Hysteresis	1...20%		1...20%		
Repeat accuracy	<3%		<3%		
Frequency	AC: 10Hz, DC: 40Hz		AC: 10Hz, DC: 40Hz		
Output indicator	Yellow LED	Yellow LED	Yellow LED	Yellow LED	
Polarity protection	
Surge protection	yes	yes	yes	yes	
Short-circuit protection	
Ambient temperature	-25...+70°C		-25...+70°C		
Ambient moisture	35...95%		35...95%		
Protection degree	IP67		IP67		
Housing material	PBT		PBT		
Connection	Terminal connect	Terminal connect	M12 Connector	M12 Connector	
Certification					

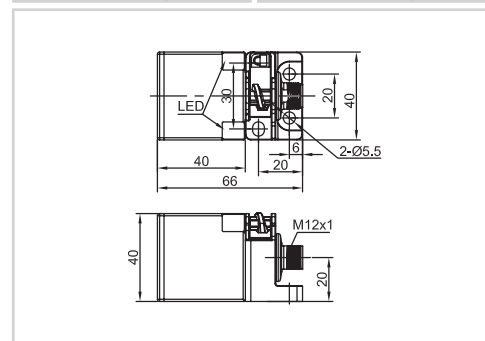
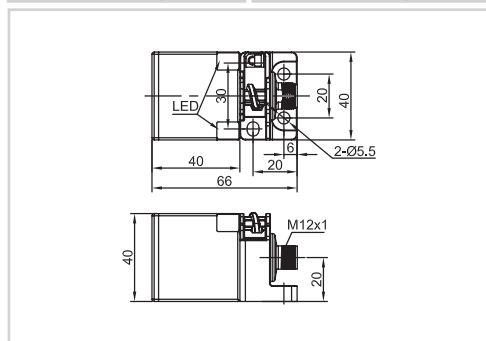



Item Code	LE40SZ		LE40SZ	
Mounting	● Flushed	◐ Non-flushed	● Flushed	◐ Non-flushed
Sensing distance	25mm	40mm	25mm	40mm



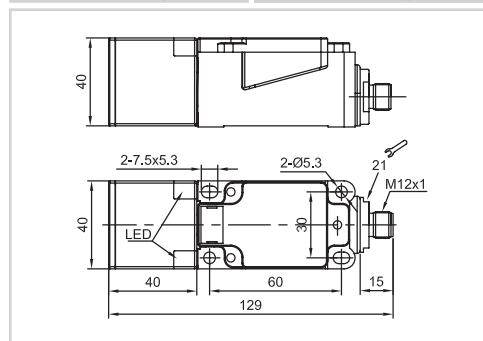
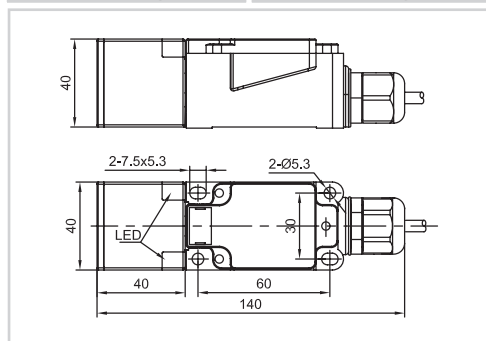
Output	DC 2 Wires NO	LE40SZSF25DLOY-E2	LE40SZSN40DLOY-E2	LE40SZSF25ELOY-E2	LE40SZSN40ELOY-E2
	DC 2 Wires NC	LE40SZSF25DLCY-E2	LE40SZSN40DLCY-E2	LE40SZSF25ELCY-E2	LE40SZSN40ELCY-E2

Technical Parameter				
Supply voltage	10...30 VDC	10...30 VDC	10...60 VDC	10...60 VDC
Temperature drift	< ±10%	< ±10%	< ±10%	< ±10%
Load current	<100mA	<100mA	<100mA	<100mA
Voltage drop	<6V	<6V	<6V	<6V
Consumption current	<1mA	<1mA	<1mA	<1mA
Hysteresis	1...20%	1...20%	1...20%	1...20%
Repeat accuracy	<3%	<3%	<3%	<3%
Frequency	200Hz	100Hz	200Hz	100Hz
Output indicator	Yellow LED	Yellow LED	Yellow LED	Yellow LED
Polarity protection	yes	yes	yes	yes
Surge protection	yes	yes	yes	yes
Short-circuit protection	yes	yes	yes	yes
Ambient temperature	-25...+70°C	-25...+70°C	-25...+70°C	-25...+70°C
Ambient moisture	35...95%	35...95%	35...95%	35...95%
Protection degree	IP67	IP67	IP67	IP67
Housing material	PBT	PBT	PBT	PBT
Connection	M12 Connector	M12 Connector	M12 Connector	M12 Connector
Certification	CE U _L	CE U _L	CE U _L	CE U _L



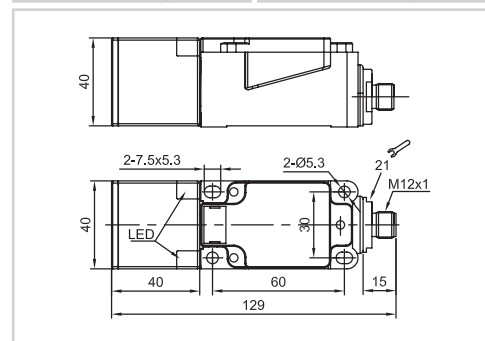
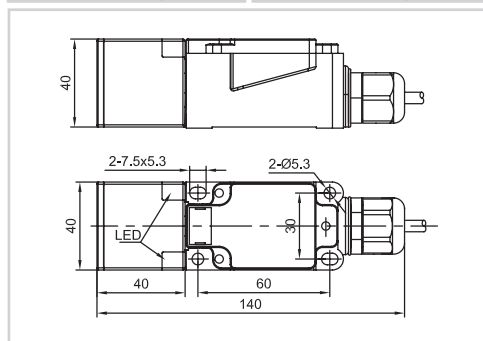
Item Code		LE40XZ		LE40XZ	
Mounting		● Flushed	◐ Non-flushed	● Flushed	◐ Non-flushed
Sensing distance		25mm	40mm	25mm	40mm
					
Output	DC 2 Wires NO	LE40XZSF25DLOY-D	LE40XZSN40DLOY-D	LE40XZSF25DLOY-E2	LE40XZSN40DLOY-E2
	DC 2 Wires NC	LE40XZSF25DLCY-D	LE40XZSN40DLCY-D	LE40XZSF25DLCY-E2	LE40XZSN40DLCY-E2


Technical Parameter				
Supply voltage	10...30 VDC	10...30 VDC	10...30 VDC	10...30 VDC
Temperature drift	< ±10%	< ±10%	< ±10%	< ±10%
Load current	<100mA	<100mA	<100mA	<100mA
Voltage drop	<6V	<6V	<6V	<6V
Leakage current	<1mA	<1mA	<1mA	<1mA
Hysteresis	1...20%	1...20%	1...20%	1...20%
Repeat accuracy	<3%	<3%	<3%	<3%
Frequency	200Hz	100Hz	200Hz	100Hz
Output indicator	Yellow LED	Yellow LED	Yellow LED	Yellow LED
Polarity protection	yes	yes	yes	yes
Surge protection	yes	yes	yes	yes
Short-circuit protection	yes	yes	yes	yes
Ambient temperature	-25...+70°C	-25...+70°C	-25...+70°C	-25...+70°C
Ambient moisture	35...95%	35...95%	35...95%	35...95%
Protection degree	IP67	IP67	IP67	IP67
Housing material	PBT	PBT	PBT	PBT
Connection	Terminal connect	Terminal connect	M12 Connector	M12 Connector
Certification	CE U _L	CE U _L	CE U _L	CE U _L



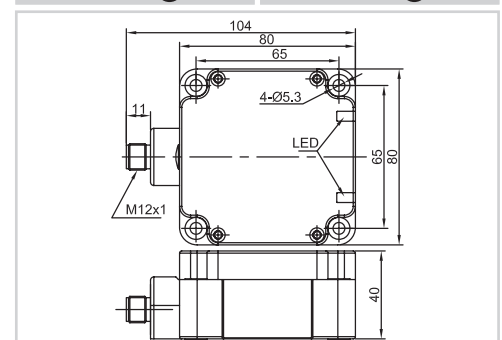
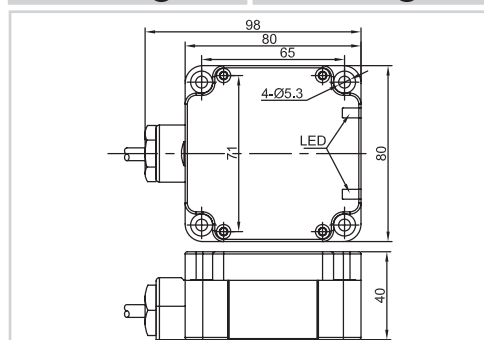
Item Code		LE40XZ		LE40XZ	
Mounting		● Flushed	◐ Non-flushed	● Flushed	◐ Non-flushed
Sensing distance		25mm	40mm	25mm	40mm
					
Output	DC 2 Wires NO	LE40XZSF25ELOY-D	LE40XZSN40ELOY-D	LE40XZSF25ELOY-E2	LE40XZSN40ELOY-E2
	DC 2 Wires NC	LE40XZSF25ELCY-D	LE40XZSN40ELCY-D	LE40XZSF25ELCY-E2	LE40XZSN40ELCY-E2



Technical Parameter				
Supply voltage	10...60 VDC	10...60 VDC	10...60 VDC	10...60 VDC
Temperature drift	< ±10%	< ±10%	< ±10%	< ±10%
Load current	<100mA	<100mA	<100mA	<100mA
Voltage drop	<6V	<6V	<6V	<6V
Leakage current	<1mA	<1mA	<1mA	<1mA
Hysteresis	1...20%	1...20%	1...20%	1...20%
Repeat accuracy	<3%	<3%	<3%	<3%
Frequency	200Hz	100Hz	200Hz	100Hz
Output indicator	Yellow LED	Yellow LED	Yellow LED	Yellow LED
Polarity protection	yes	yes	yes	yes
Surge protection	yes	yes	yes	yes
Short-circuit protection	yes	yes	yes	yes
Ambient temperature	-25...+70°C	-25...+70°C	-25...+70°C	-25...+70°C
Ambient moisture	35...95%	35...95%	35...95%	35...95%
Protection degree	IP67	IP67	IP67	IP67
Housing material	PBT	PBT	PBT	PBT
Connection	Terminal connect	Terminal connect	M12 Connector	M12 Connector
Certification	CE U _L	CE U _L	CE U _L	CE U _L



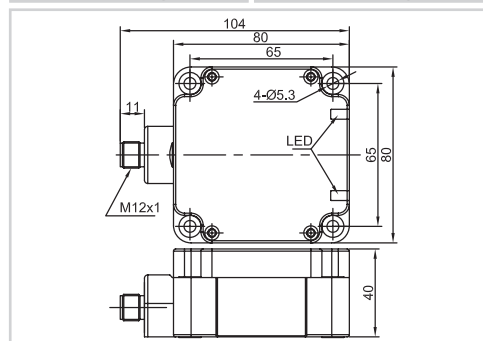
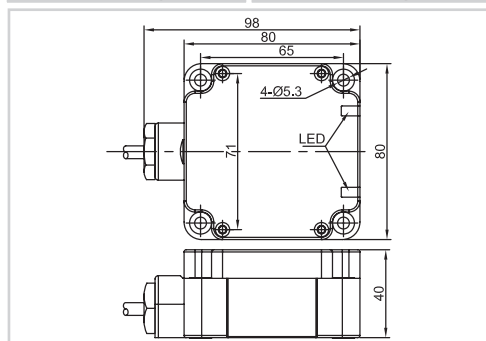
Item Code		LE80XZ		LE80XZ	
Mounting		● Flushed	◐ Non-flushed	● Flushed	◐ Non-flushed
Sensing distance		50mm	70mm	50mm	70mm
					
Output	DC 2 Wires NO	LE80XZSF50DLOY-D	LE80XZSN70DLOY-D	LE80XZSF50DLOY-E2	LE80XZSN70DLOY-E2
	DC 2 Wires NC	LE80XZSF50DLCY-D	LE80XZSN70DLCY-D	LE80XZSF50DLCY-E2	LE80XZSN70DLCY-E2

Technical Parameter					
Supply voltage		10...30 VDC	10...30 VDC	10...30 VDC	10...30 VDC
Temperature drift		< ±10%	< ±10%	< ±10%	< ±10%
Load current		<100mA	<100mA	<100mA	<100mA
Voltage drop		<6V	<6V	<6V	<6V
Leakage current		<1mA	<1mA	<1mA	<1mA
Hysteresis		1...20%	1...20%	1...20%	1...20%
Repeat accuracy		<3%	<3%	<3%	<3%
Frequency		50Hz	30Hz	50Hz	30Hz
Output indicator		Yellow LED	Yellow LED	Yellow LED	Yellow LED
Polarity protection		yes	yes	yes	yes
Surge protection		yes	yes	yes	yes
Short-circuit protection		yes	yes	yes	yes
Ambient temperature		-25...+70°C	-25...+70°C	-25...+70°C	-25...+70°C
Ambient moisture		35...95%	35...95%	35...95%	35...95%
Protection degree		IP67	IP67	IP67	IP67
Housing material		PBT	PBT	PBT	PBT
Connection		Terminal connect	Terminal connect	M12 Connector	M12 Connector
Certification		CE U _L	CE U _L	CE U _L	CE U _L



Item Code		LE80XZ		LE80XZ	
Mounting		● Flushed	◐ Non-flushed	● Flushed	◐ Non-flushed
Sensing distance		50mm	70mm	50mm	70mm
					
Output	DC 2 Wires NO	LE80XZSF50ELOY-D	LE80XZSN70ELOY-D	LE80XZSF50ELOY-E2	LE80XZSN70ELOY-E2
	DC 2 Wires NC	LE80XZSF50ELCY-D	LE80XZSN70ELCY-D	LE80XZSF50ELCY-E2	LE80XZSN70ELCY-E2

Technical Parameter					
Supply voltage		10...60 VDC	10...60 VDC	10...60 VDC	10...60 VDC
Temperature drift		< ±10%	< ±10%	< ±10%	< ±10%
Load current		<100mA	<100mA	<100mA	<100mA
Voltage drop		<6V	<6V	<6V	<6V
Leakage current		<1mA	<1mA	<1mA	<1mA
Hysteresis		1...20%	1...20%	1...20%	1...20%
Repeat accuracy		<3%	<3%	<3%	<3%
Frequency		50Hz	30Hz	50Hz	30Hz
Output indicator		Yellow LED	Yellow LED	Yellow LED	Yellow LED
Polarity protection		yes	yes	yes	yes
Surge protection		yes	yes	yes	yes
Short-circuit protection		yes	yes	yes	yes
Ambient temperature		-25...+70°C	-25...+70°C	-25...+70°C	-25...+70°C
Ambient moisture		35...95%	35...95%	35...95%	35...95%
Protection degree		IP67	IP67	IP67	IP67
Housing material		PBT	PBT	PBT	PBT
Connection		Terminal connect	Terminal connect	M12 Connector	M12 Connector
Certification		CE U _L	CE U _L	CE U _L	CE U _L



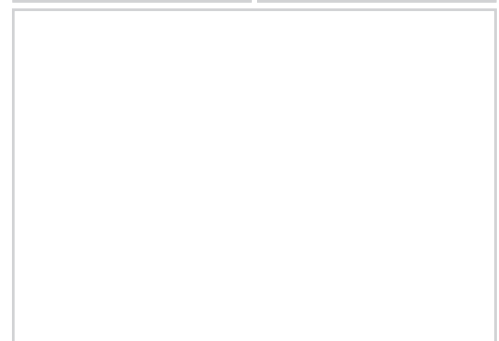
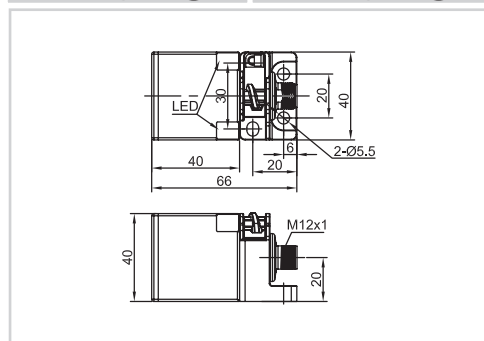
Item Code	LE40SZ	
Mounting	● Flushed	● Non-flushed
Sensing distance	25mm	40mm





Output	AC 2 Wires NO	LE40SZSF25ATOY-E2	LE40SZSN40ATOY-E2
	AC 2 Wires NC	LE40SZSF25ATCY-E2	LE40SZSN40ATCY-E2

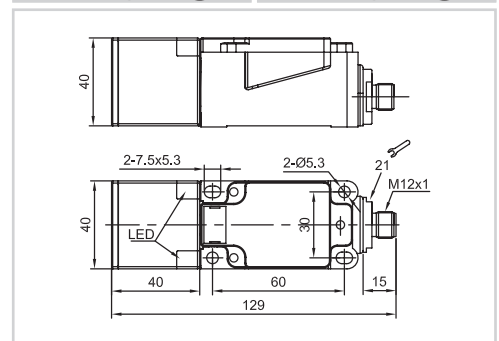
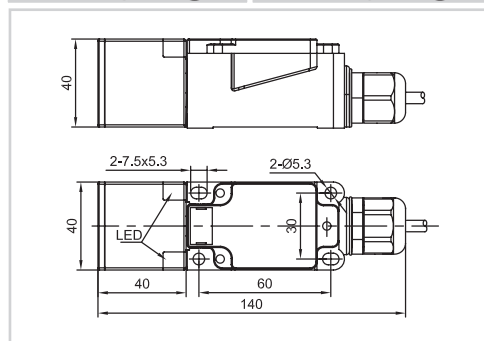
Technical Parameter


Supply voltage	20...250 VAC	20...250 VAC
Temperature drift	< ± 10%	< ± 10%
Load current	< 300mA	< 300mA
Voltage drop	< 10V	< 10V
Leakage current	< 3mA	< 3mA
Hysteresis	1...20%	1...20%
Repeat accuracy	< 3%	< 3%
Frequency	20Hz	20Hz
Output indicator	Yellow LED	Yellow LED
Polarity protection
Surge protection	yes	yes
Short-circuit protection
Ambient temperature	-25...+70°C	-25...+70°C
Ambient moisture	35...95%	35...95%
Protection degree	IP67	IP67
Housing material	PBT	PBT
Connection	M12 Connector	M12 Connector
Certification	CE U _L CCC	CE U _L CCC



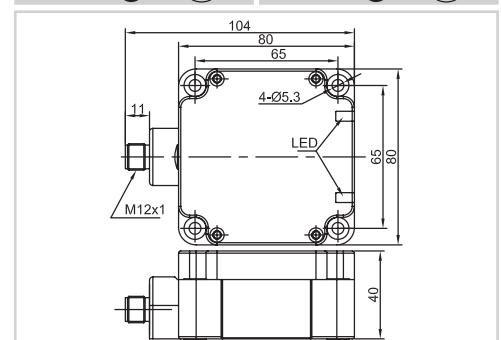
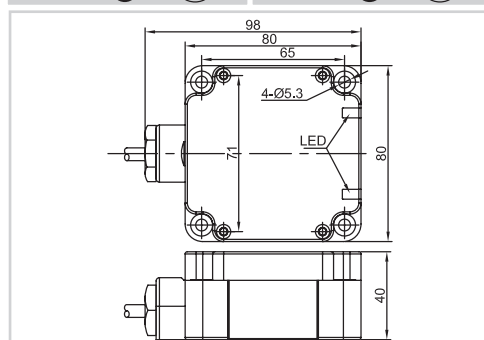
Item Code		LE40XZ		LE40XZ	
Mounting		● Flushed	◐ Non-flushed	● Flushed	◐ Non-flushed
Sensing distance		25mm	40mm	25mm	40mm
					
Output	AC 2 Wires NO	LE40XZSF25ATOY-D	LE40XZSN40ATOY-D	LE40XZSF25ATOY-E2	LE40XZSN40ATOY-E2
	AC 2 Wires NC	LE40XZSF25ATCY-D	LE40XZSN40ATCY-D	LE40XZSF25ATCY-E2	LE40XZSN40ATCY-E2

Technical Parameter					
Supply voltage		20...250 VAC	20...250 VAC	20...250 VAC	20...250 VAC
Temperature drift		< ±10%	< ±10%	< ±10%	< ±10%
Load current		<300mA	<300mA	<300mA	<300mA
Voltage drop		<10V	<10V	<10V	<10V
Leakage current		<3mA	<3mA	<3mA	<3mA
Hysteresis		1...20%	1...20%	1...20%	1...20%
Repeat accuracy		<3%	<3%	<3%	<3%
Frequency		20Hz	20Hz	20Hz	20Hz
Output indicator		Yellow LED	Yellow LED	Yellow LED	Yellow LED
Polarity protection	
Surge protection		yes	yes	yes	yes
Short-circuit protection	
Ambient temperature		-25...+70°C	-25...+70°C	-25...+70°C	-25...+70°C
Ambient moisture		35...95%	35...95%	35...95%	35...95%
Protection degree		IP67	IP67	IP67	IP67
Housing material		PBT	PBT	PBT	PBT
Connection		Terminal connect	Terminal connect	M12 Connector	M12 Connector
Certification		CE U _L CCC	CE U _L CCC	CE U _L CCC	CE U _L CCC



Item Code		LE80XZ		LE80XZ	
Mounting		● Flushed	◐ Non-flushed	● Flushed	◐ Non-flushed
Sensing distance		50mm	70mm	50mm	70mm
					
Output	AC 2 Wires NO	LE80XZSF50ATOY-D	LE80XZSN70ATOY-D	LE80XZSF50ATOY-E2	LE80XZSN70ATOY-E2
	AC 2 Wires NC	LE80XZSF50ATCY-D	LE80XZSN70ATCY-D	LE80XZSF50ATCY-E2	LE80XZSN70ATCY-E2

Technical Parameter					
Supply voltage		20...250 VAC	20...250 VAC	20...250 VAC	20...250 VAC
Temperature drift		< ±10%	< ±10%	< ±10%	< ±10%
Load current		<300mA	<300mA	<300mA	<300mA
Voltage drop		<10V	<10V	<10V	<10V
Leakage current		<3mA	<3mA	<3mA	<3mA
Hysteresis		1...20%	1...20%	1...20%	1...20%
Repeat accuracy		<3%	<3%	<3%	<3%
Frequency		20Hz	20Hz	20Hz	20Hz
Output indicator		Yellow LED	Yellow LED	Yellow LED	Yellow LED
Polarity protection	
Surge protection		yes	yes	yes	yes
Short-circuit protection	
Ambient temperature		-25...+70°C	-25...+70°C	-25...+70°C	-25...+70°C
Ambient moisture		35...95%	35...95%	35...95%	35...95%
Protection degree		IP67	IP67	IP67	IP67
Housing material		PBT	PBT	PBT	PBT
Connection		Terminal connect	Terminal connect	M12 Connector	M12 Connector
Certification		CE U _L CCC	CE U _L CCC	CE U _L CCC	CE U _L CCC



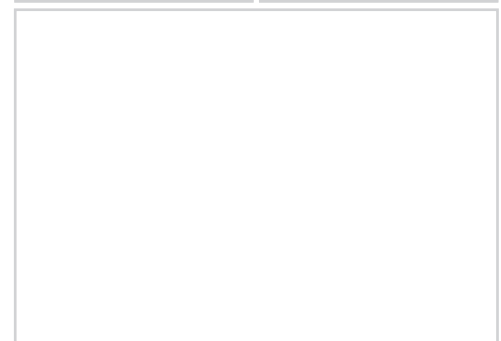
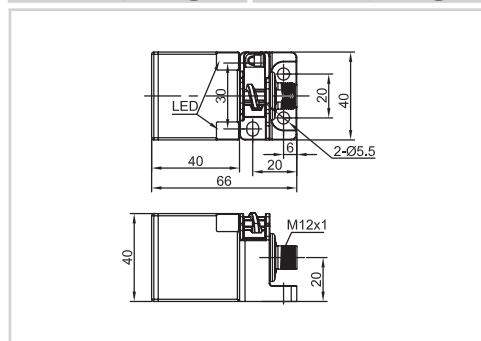
Item Code	LE40SZ	
Mounting	● Flushed	◐ Non-flushed
Sensing distance	25mm	40mm







Output	DC/AC 2 Wires NO	LE40SZSF25SBOY-E2	LE40SZSN40SBOY-E2
	DC/AC 2 Wires NC	LE40SZSF25SBCY-E2	LE40SZSN40SBCY-E2
	DC/AC 2 Wires NO/NC	LE40SZSF25SBBY-E2	LE40SZSN40SBBY-E2

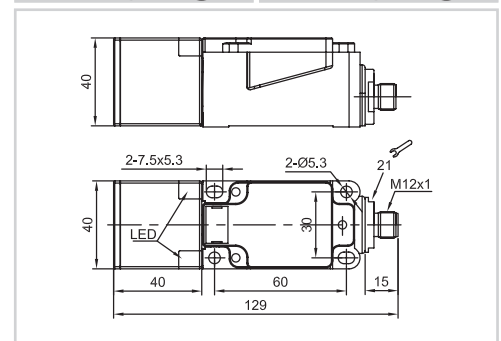
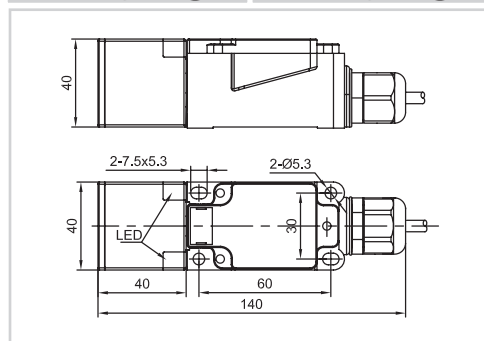
Technical Parameter


Supply voltage	20-250VAC/DC	
Temperature drift	< ±10%	
Load current	AC: <300mA, DC: <100mA	
Voltage drop	AC:<10V, DC:<8V	
Leakage current	AC: <3mA, DC: <1mA	
Hysteresis	1...20%	
Repeat accuracy	<3%	
Frequency	AC: 20Hz, DC: 300Hz	
Output indicator	Yellow LED	Yellow LED
Polarity protection
Surge protection	yes	yes
Short-circuit protection
Ambient temperature	-25...+70°C	-25...+70°C
Ambient moisture	35...95%	35...95%
Protection degree	IP67	IP67
Housing material	PBT	PBT
Connection	M12 Connector	M12 Connector
Certification	CE U _L CCC	CE U _L CCC





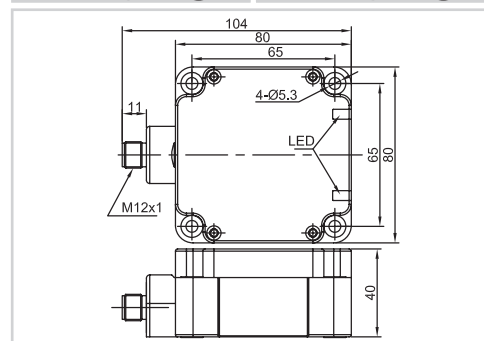
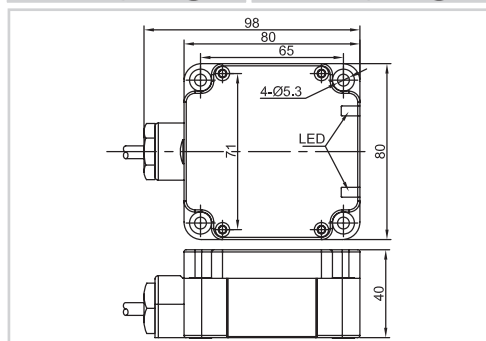
Item Code		LE40XZ		LE40XZ	
Mounting		● Flushed	◐ Non-flushed	● Flushed	◐ Non-flushed
Sensing distance		25mm	40mm	25mm	40mm
					
Output	DC/AC 2 Wires NO	LE40XZSF25SBOY-D	LE40XZSN40SBOY-D	LE40XZSF25SBOY-E2	LE40XZSN40SBOY-E2
	DC/AC 2 Wires NC	LE40XZSF25SBCY-D	LE40XZSN40SBCY-D	LE40XZSF25SBCY-E2	LE40XZSN40SBCY-E2
	DC/AC 2 Wires NO/NC	LE40XZSF25SBBY-D	LE40XZSN40SBBY-D	LE40XZSF25SBBY-E2	LE40XZSN40SBBY-E2

Technical Parameter					
Supply voltage	20-250VAC/DC		20-250VAC/DC		
Temperature drift	< ±10%		< ±10%		
Load current	AC: <300mA, DC: <100mA		AC: <300mA, DC: <100mA		
Voltage drop	AC:<10V, DC:<8V		AC:<10V, DC:<8V		
Leakage current	AC: <3mA, DC: <1mA		AC: <3mA, DC: <1mA		
Hysteresis	1...20%		1...20%		
Repeat accuracy	<3%		<3%		
Frequency	AC: 20Hz, DC: 100Hz		AC: 20Hz, DC: 100Hz		
Output indicator	Yellow LED	Yellow LED	Yellow LED	Yellow LED	
Polarity protection	
Surge protection	yes	yes	yes	yes	
Short-circuit protection	
Ambient temperature	-25...+70°C		-25...+70°C		
Ambient moisture	35...95%		35...95%		
Protection degree	IP67		IP67		
Housing material	PBT		PBT		
Connection	Terminal connect	Terminal connect	M12 Connector	M12 Connector	
Certification					



Item Code		LE80XZ		LE80XZ	
Mounting		● Flushed	◐ Non-flushed	● Flushed	◐ Non-flushed
Sensing distance		50mm	70mm	50mm	70mm
					
Output	DC/AC 2 Wires NO	LE80XZSF50SBOY-D	LE80XZSN70SBOY-D	LE80XZSF50SBOY-E2	LE80XZSN70SBOY-E2
	DC/AC 2 Wires NC	LE80XZSF50SBCY-D	LE80XZSN70SBCY-D	LE80XZSF50SBCY-E2	LE80XZSN70SBCY-E2
	DC/AC 2 Wires NO/NC	LE80XZSF50SBBY-D	LE80XZSN70SBBY-D	LE80XZSF50SBBY-E2	LE80XZSN70SBBY-E2

Technical Parameter					
Supply voltage	20-250VAC/DC		20-250VAC/DC		
Temperature drift	< ±10%		< ±10%		
Load current	AC: <300mA, DC: <100mA		AC: <300mA, DC: <100mA		
Voltage drop	AC:<10V, DC:<8V		AC:<10V, DC:<8V		
Leakage current	AC: <3mA, DC: <1mA		AC: <3mA, DC: <1mA		
Hysteresis	1...20%		1...20%		
Repeat accuracy	<3%		<3%		
Frequency	AC: 20Hz, DC: 30Hz		AC: 20Hz, DC: 30Hz		
Output indicator	Yellow LED	Yellow LED	Yellow LED	Yellow LED	
Polarity protection	
Surge protection	yes	yes	yes	yes	
Short-circuit protection	
Ambient temperature	-25...+70°C		-25...+70°C		
Ambient moisture	35...95%		35...95%		
Protection degree	IP67		IP67		
Housing material	PBT		PBT		
Connection	Terminal connect	Terminal connect	M12 Connector	M12 Connector	
Certification					



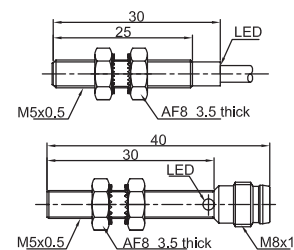
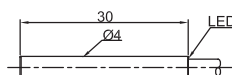
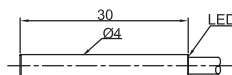
Item Code	LR04Q		LR05	
Mounting	● Flushed	● Flushed	● Flushed	● Flushed
Sensing distance	1.5mm	1.5mm	1.5mm	1.5mm



Output	NPN NO	LR04QAF15DNOY	LR04QAF15DNOY-E1	LR05AF15DNOY	LR05AF15DNOY-E1
	NPN NC	LR04QAF15DNKY	LR04QAF15DNKY-E1	LR05AF15DNKY	LR05AF15DNKY-E1
	NPN NO+NC				
Output	PNP NO	LR04QAF15DPOY	LR04QAF15DPOY-E1	LR05AF15DPOY	LR05AF15DPOY-E1
	PNP NC	LR04QAF15DPCY	LR04QAF15DPCY-E1	LR05AF15DPCY	LR05AF15DPCY-E1
	PNP NO+NC				

Technical Parameter					
Supply voltage	10...30 VDC	10...30 VDC	10...30 VDC	10...30 VDC	10...30 VDC
Temperature drift	< ±10%	< ±10%	< ±10%	< ±10%	< ±10%
Load current	<100mA	<100mA	<100mA	<100mA	<100mA
Voltage drop	<2.5V	<2.5V	<2.5V	<2.5V	<2.5V
Consumption current	<10mA	<10mA	<10mA	<10mA	<10mA
Hysteresis	1...20%	1...20%	1...20%	1...20%	1...20%
Repeat accuracy	<3%	<3%	<3%	<3%	<3%
Frequency	2000Hz	2000Hz	2000Hz	2000Hz	2000Hz
Output indicator	Red LED	Red LED	Red LED	Red LED	Red LED
Polarity protection	yes	yes	yes	yes	yes
Surge protection	yes	yes	yes	yes	yes
Short-circuit protection
Ambient temperature	-25...+70°C	-25...+70°C	-25...+70°C	-25...+70°C	-25...+70°C
Ambient moisture	35...95%	35...95%	35...95%	35...95%	35...95%
Protection degree	IP67	IP67	IP67	IP67	IP67
Housing material	Stainless steel	Stainless steel	Stainless steel	Stainless steel	Stainless steel
Connection	2m PUR Cable	M8 Connector	2m PUR Cable	M8 Connector	M8 Connector
Certification	CE U _L	CE U _L	CE U _L	CE U _L	CE U _L

* Cable material and length can be customized



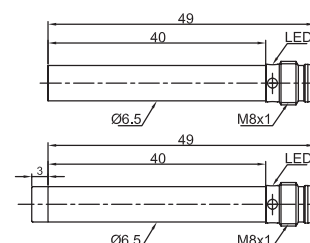
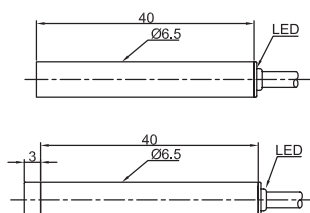
Item Code	LR6.5Q		LR6.5Q	
Mounting	● Flushed	◐ Non-flushed	● Flushed	◐ Non-flushed
Sensing distance	2mm	4mm	2mm	4mm



Output	NPN NO	LR6.5QBF02DNOY	LR6.5QBN04DNOY	LR6.5QBF02DNOY-E1	LR6.5QBN04DNOY-E1
	NPN NC	LR6.5QBF02DNKY	LR6.5QBN04DNKY	LR6.5QBF02DNKY-E1	LR6.5QBN04DNKY-E1
	NPN NO+NC				
Output	PNP NO	LR6.5QBF02DPOY	LR6.5QBN04DPOY	LR6.5QBF02DPOY-E1	LR6.5QBN04DPOY-E1
	PNP NC	LR6.5QBF02DPKY	LR6.5QBN04DPKY	LR6.5QBF02DPKY-E1	LR6.5QBN04DPKY-E1
	PNP NO+NC				

Technical Parameter				
Supply voltage	10...30 VDC	10...30 VDC	10...30 VDC	10...30 VDC
Temperature drift	< ±10%	< ±10%	< ±10%	< ±10%
Load current	<150mA	<150mA	<150mA	<150mA
Voltage drop	<2.5V	<2.5V	<2.5V	<2.5V
Consumption current	<10mA	<10mA	<10mA	<10mA
Hysteresis	1...20%	1...20%	1...20%	1...20%
Repeat accuracy	<3%	<3%	<3%	<3%
Frequency	1500Hz	1000Hz	1500Hz	1000Hz
Output indicator	Yellow LED	Yellow LED	Yellow LED	Yellow LED
Polarity protection	yes	yes	yes	yes
Surge protection	yes	yes	yes	yes
Short-circuit protection	yes	yes	yes	yes
Ambient temperature	-25...+70°C	-25...+70°C	-25...+70°C	-25...+70°C
Ambient moisture	35...95%	35...95%	35...95%	35...95%
Protection degree	IP67	IP67	IP67	IP67
Housing material	Stainless steel	Stainless steel	Stainless steel	Stainless steel
Connection	2m PVC Cable	2m PVC Cable	M8 Connector	M8 Connector
Certification	CE U _L	CE U _L	CE U _L	CE U _L

* Cable material and length can be customized



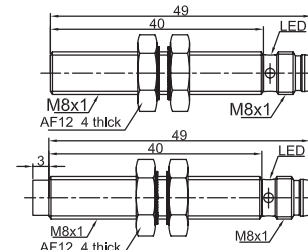
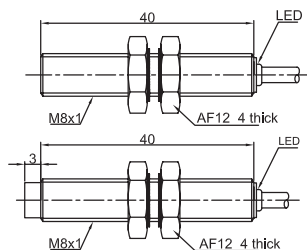
Item Code	LR08		LR08	
Mounting	● Flushed	◐ Non-flushed	● Flushed	◐ Non-flushed
Sensing distance	2mm	4mm	2mm	4mm



Output	NPN NO	LR08BF02DNOY	LR08BN04DNOY	LR08BF02DNOY-E1	LR08BN04DNOY-E1
	NPN NC	LR08BF02DNCY	LR08BN04DNCY	LR08BF02DNCY-E1	LR08BN04DNCY-E1
	NPN NO+NC				
Output	PNP NO	LR08BF02DPOY	LR08BN04DPOY	LR08BF02DPOY-E1	LR08BN04DPOY-E1
	PNP NC	LR08BF02DPCY	LR08BN04DPCY	LR08BF02DPCY-E1	LR08BN04DPCY-E1
	PNP NO+NC				

Technical Parameter				
Supply voltage	10...30 VDC	10...30 VDC	10...30 VDC	10...30 VDC
Temperature drift	< ±10%	< ±10%	< ±10%	< ±10%
Load current	<150mA	<150mA	<150mA	<150mA
Voltage drop	<2.5V	<2.5V	<2.5V	<2.5V
Consumption current	<10mA	<10mA	<10mA	<10mA
Hysteresis	1...20%	1...20%	1...20%	1...20%
Repeat accuracy	<3%	<3%	<3%	<3%
Frequency	1500Hz	1000Hz	1500Hz	1000Hz
Output indicator	Yellow LED	Yellow LED	Yellow LED	Yellow LED
Polarity protection	yes	yes	yes	yes
Surge protection	yes	yes	yes	yes
Short-circuit protection	yes	yes	yes	yes
Ambient temperature	-25...+70°C	-25...+70°C	-25...+70°C	-25...+70°C
Ambient moisture	35...95%	35...95%	35...95%	35...95%
Protection degree	IP67	IP67	IP67	IP67
Housing material	Stainless steel	Stainless steel	Stainless steel	Stainless steel
Connection	2m PVC Cable	2m PVC Cable	M8 Connector	M8 Connector
Certification	CE U _L	CE U _L	CE U _L	CE U _L

* Cable material and length can be customized



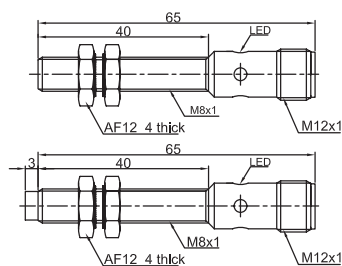
Item Code	LR08	
Mounting	● Flushed	⦿ Non-flushed
Sensing distance	2mm	4mm



Output	NPN NO	LR08BF02DNOY-E2	LR08BN04DNOY-E2
	NPN NC	LR08BF02DNCY-E2	LR08BN04DNCY-E2
	NPN NO+NC		
Output	PNP NO	LR08BF02DPOY-E2	LR08BN04DPOY-E2
	PNP NC	LR08BF02DPCY-E2	LR08BN04DPCY-E2
	PNP NO+NC		

Technical Parameter			
Supply voltage	10...30 VDC	10...30 VDC	
Temperature drift	< ± 10%	< ± 10%	
Load current	< 150mA	< 150mA	
Voltage drop	< 2.5V	< 2.5V	
Consumption current	< 10mA	< 10mA	
Hysteresis	1...20%	1...20%	
Repeat accuracy	< 3%	< 3%	
Frequency	1500Hz	1000Hz	
Output indicator	Yellow LED	Yellow LED	
Polarity protection	yes	yes	
Surge protection	yes	yes	
Short-circuit protection	yes	yes	
Ambient temperature	-25...+70°C	-25...+70°C	
Ambient moisture	35...95%	35...95%	
Protection degree	IP67	IP67	
Housing material	Nickel-copper Alloy	Nickel-copper Alloy	
Connection	M12 Connector	M12 Connector	
Certification	CE U _L	CE U _L	

* Cable material and length can be customized



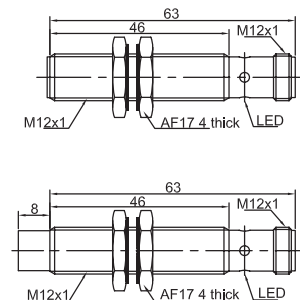
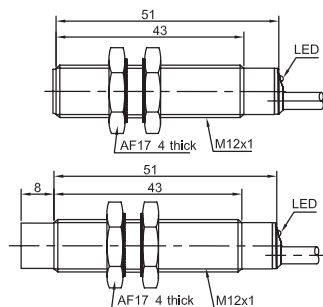
Item Code	LR12X		LR12X	
Mounting	● Flushed	◐ Non-flushed	● Flushed	◐ Non-flushed
Sensing distance	4mm	8mm	4mm	8mm



Output	NPN NO	LR12XBF04DNOY	LR12XBN08DNOY	LR12XBF04DNOY-E2	LR12XBN08DNOY-E2
	NPN NC	LR12XBF04DNCY	LR12XBN08DNCY	LR12XBF04DNCY-E2	LR12XBN08DNCY-E2
	NPN NO+NC	LR12XBF04DNRY	LR12XBN08DNRY	LR12XBF04DNRY-E2	LR12XBN08DNRY-E2
Output	PNP NO	LR12XBF04DPOY	LR12XBN08DPOY	LR12XBF04DPOY-E2	LR12XBN08DPOY-E2
	PNP NC	LR12XBF04DPCY	LR12XBN08DPCY	LR12XBF04DPCY-E2	LR12XBN08DPCY-E2
	PNP NO+NC	LR12XBF04DPRY	LR12XBN08DPRY	LR12XBF04DPRY-E2	LR12XBN08DPRY-E2

Technical Parameter				
Supply voltage	10...30 VDC	10...30 VDC	10...30 VDC	10...30 VDC
Temperature drift	< ±10%	< ±10%	< ±10%	< ±10%
Load current	<200mA	<200mA	<200mA	<200mA
Voltage drop	<2.5V	<2.5V	<2.5V	<2.5V
Consumption current	<10mA	<10mA	<10mA	<10mA
Hysteresis	1...20%	1...20%	1...20%	1...20%
Repeat accuracy	<3%	<3%	<3%	<3%
Frequency	800Hz	500Hz	800Hz	500Hz
Output indicator	Yellow LED	Yellow LED	Yellow LED	Yellow LED
Polarity protection	yes	yes	yes	yes
Surge protection	yes	yes	yes	yes
Short-circuit protection	yes	yes	yes	yes
Ambient temperature	-25...+70°C	-25...+70°C	-25...+70°C	-25...+70°C
Ambient moisture	35...95%	35...95%	35...95%	35...95%
Protection degree	IP67	IP67	IP67	IP67
Housing material	Nickel-copper Alloy	Nickel-copper Alloy	Nickel-copper Alloy	Nickel-copper Alloy
Connection	2m PVC Cable	2m PVC Cable	M12 Connector	M12 Connector
Certification	CE U _L	CE U _L	CE U _L	CE U _L

* Cable material and length can be customized



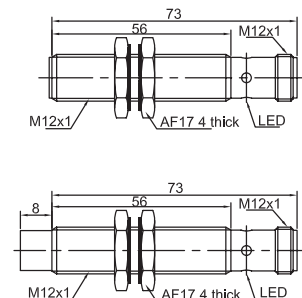
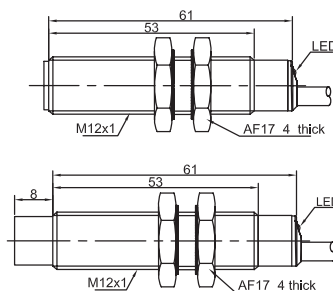
Item Code	LR12X		LR12X	
Mounting	● Flushed	◐ Non-flushed	● Flushed	◐ Non-flushed
Sensing distance	8mm	12mm	8mm	12mm



Output	NPN NO	LR12XCF08DNOY	LR12XCN12DNOY	LR12XCF08DNOY-E2	LR12XCN12DNOY-E2
	NPN NC	LR12XCF08DNCY	LR12XCN12DNCY	LR12XCF08DNCY-E2	LR12XCN12DNCY-E2
	NPN NO+NC	LR12XCF08DNRY	LR12XCN12DNRY	LR12XCF08DNRY-E2	LR12XCN12DNRY-E2
Output	PNP NO	LR12XCF08DPOY	LR12XCN12DPOY	LR12XCF08DPOY-E2	LR12XCN12DPOY-E2
	PNP NC	LR12XCF08DPCY	LR12XCN12DPCY	LR12XCF08DPCY-E2	LR12XCN12DPCY-E2
	PNP NO+NC	LR12XCF08DPRY	LR12XCN12DPRY	LR12XCF08DPRY-E2	LR12XCN12DPRY-E2

Technical Parameter				
Supply voltage	10...30 VDC	10...30 VDC	10...30 VDC	10...30 VDC
Temperature drift	< ± 10%	< ± 10%	< ± 10%	< ± 10%
Load current	< 200mA	< 200mA	< 200mA	< 200mA
Voltage drop	< 2.5V	< 2.5V	< 2.5V	< 2.5V
Consumption current	< 10mA	< 10mA	< 10mA	< 10mA
Hysteresis	1...20%	1...20%	1...20%	1...20%
Repeat accuracy	< 3%	< 3%	< 3%	< 3%
Frequency	500Hz	300Hz	500Hz	300Hz
Output indicator	Yellow LED	Yellow LED	Yellow LED	Yellow LED
Polarity protection	yes	yes	yes	yes
Surge protection	yes	yes	yes	yes
Short-circuit protection	yes	yes	yes	yes
Ambient temperature	-25...+70°C	-25...+70°C	-25...+70°C	-25...+70°C
Ambient moisture	35...95%	35...95%	35...95%	35...95%
Protection degree	IP67	IP67	IP67	IP67
Housing material	Nickel-copper Alloy	Nickel-copper Alloy	Nickel-copper Alloy	Nickel-copper Alloy
Connection	2m PVC Cable	2m PVC Cable	M12 Connector	M12 Connector
Certification	CE U _L	CE U _L	CE U _L	CE U _L

* Cable material and length can be customized



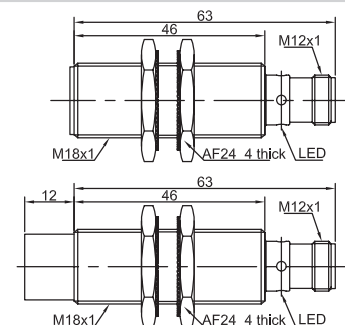
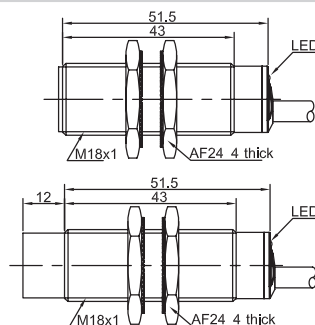
Item Code	LR18X		LR18X	
Mounting	● Flushed	◐ Non-flushed	● Flushed	◐ Non-flushed
Sensing distance	8mm	12mm	8mm	12mm



Output	NPN NO	LR18XF08DNOY	LR18XBN12DNOY	LR18XF08DNOY-E2	LR18XBN12DNOY-E2
	NPN NC	LR18XF08DNCY	LR18XBN12DNCY	LR18XF08DNCY-E2	LR18XBN12DNCY-E2
	NPN NO+NC	LR18XF08DNRY	LR18XBN12DNRY	LR18XF08DNRY-E2	LR18XBN12DNRY-E2
Output	PNP NO	LR18XF08DPOY	LR18XBN12DPOY	LR18XF08DPOY-E2	LR18XBN12DPOY-E2
	PNP NC	LR18XF08DPCY	LR18XBN12DPCY	LR18XF08DPCY-E2	LR18XBN12DPCY-E2
	PNP NO+NC	LR18XF08DPRY	LR18XBN12DPRY	LR18XF08DPRY-E2	LR18XBN12DPRY-E2

Technical Parameter				
Supply voltage	10...30 VDC	10...30 VDC	10...30 VDC	10...30 VDC
Temperature drift	< ±10%	< ±10%	< ±10%	< ±10%
Load current	<200mA	<200mA	<200mA	<200mA
Voltage drop	<2.5V	<2.5V	<2.5V	<2.5V
Consumption current	<10mA	<10mA	<10mA	<10mA
Hysteresis	1...20%	1...20%	1...20%	1...20%
Repeat accuracy	<3%	<3%	<3%	<3%
Frequency	400Hz	200Hz	400Hz	200Hz
Output indicator	Yellow LED	Yellow LED	Yellow LED	Yellow LED
Polarity protection	yes	yes	yes	yes
Surge protection	yes	yes	yes	yes
Short-circuit protection	yes	yes	yes	yes
Ambient temperature	-25...+70°C	-25...+70°C	-25...+70°C	-25...+70°C
Ambient moisture	35...95%	35...95%	35...95%	35...95%
Protection degree	IP67	IP67	IP67	IP67
Housing material	Nickel-copper Alloy	Nickel-copper Alloy	Nickel-copper Alloy	Nickel-copper Alloy
Connection	2m PVC Cable	2m PVC Cable	M12 Connector	M12 Connector
Certification	CE U _L	CE U _L	CE U _L	CE U _L

* Cable material and length can be customized



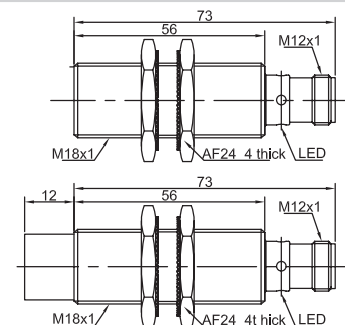
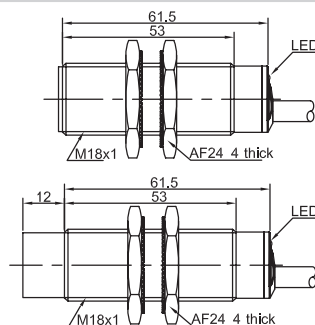
Item Code	LR18X		LR18X	
Mounting	● Flushed	◐ Non-flushed	● Flushed	◐ Non-flushed
Sensing distance	12mm	20mm	12mm	20mm



Output	NPN NO	LR18XCF12DNOY	LR18XCN20DNOY	LR18XCF12DNOY-E2	LR18XCN20DNOY-E2
	NPN NC	LR18XCF12DNCY	LR18XCN20DNCY	LR18XCF12DNCY-E2	LR18XCN20DNCY-E2
	NPN NO+NC	LR18XCF12DNRY	LR18XCN20DNRY	LR18XCF12DNRY-E2	LR18XCN20DNRY-E2
Output	PNP NO	LR18XCF12DPOY	LR18XCN20DPOY	LR18XCF12DPOY-E2	LR18XCN20DPOY-E2
	PNP NC	LR18XCF12DPCY	LR18XCN20DPCY	LR18XCF12DPCY-E2	LR18XCN20DPCY-E2
	PNP NO+NC	LR18XCF12DPRY	LR18XCN20DPRY	LR18XCF12DPRY-E2	LR18XCN20DPRY-E2

Technical Parameter				
Supply voltage	10...30 VDC	10...30 VDC	10...30 VDC	10...30 VDC
Temperature drift	< ±10%	< ±10%	< ±10%	< ±10%
Load current	<200mA	<200mA	<200mA	<200mA
Voltage drop	<2.5V	<2.5V	<2.5V	<2.5V
Consumption current	<10mA	<10mA	<10mA	<10mA
Hysteresis	1...20%	1...20%	1...20%	1...20%
Repeat accuracy	<3%	<3%	<3%	<3%
Frequency	300Hz	150Hz	300Hz	150Hz
Output indicator	Yellow LED	Yellow LED	Yellow LED	Yellow LED
Polarity protection	yes	yes	yes	yes
Surge protection	yes	yes	yes	yes
Short-circuit protection	yes	yes	yes	yes
Ambient temperature	-25...+70°C	-25...+70°C	-25...+70°C	-25...+70°C
Ambient moisture	35...95%	35...95%	35...95%	35...95%
Protection degree	IP67	IP67	IP67	IP67
Housing material	Nickel-copper Alloy	Nickel-copper Alloy	Nickel-copper Alloy	Nickel-copper Alloy
Connection	2m PVC Cable	2m PVC Cable	M12 Connector	M12 Connector
Certification	CE U _L	CE U _L	CE U _L	CE U _L

* Cable material and length can be customized



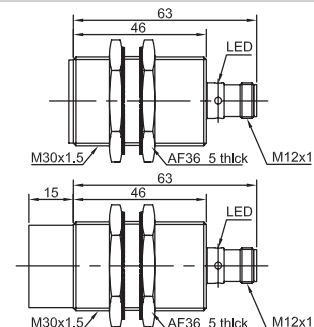
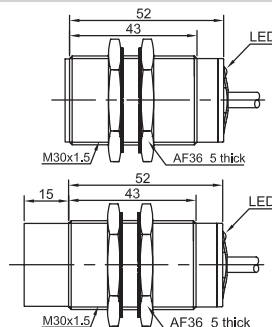
Item Code	LR30X		LR30X	
Mounting	● Flushed	◐ Non-flushed	● Flushed	◐ Non-flushed
Sensing distance	15mm	22mm	15mm	22mm



Output	NPN NO	LR30XBF15DNOY	LR30XBN22DNOY	LR30XBF15DNOY-E2	LR30XBN22DNOY-E2
	NPN NC	LR30XBF15DNCY	LR30XBN22DNCY	LR30XBF15DNCY-E2	LR30XBN22DNCY-E2
	NPN NO+NC	LR30XBF15DNRY	LR30XBN22DNRY	LR30XBF15DNRY-E2	LR30XBN22DNRY-E2
Output	PNP NO	LR30XBF15DPOY	LR30XBN22DPOY	LR30XBF15DPOY-E2	LR30XBN22DPOY-E2
	PNP NC	LR30XBF15DPCY	LR30XBN22DPCY	LR30XBF15DPCY-E2	LR30XBN22DPCY-E2
	PNP NO+NC	LR30XBF15DPRY	LR30XBN22DPRY	LR30XBF15DPRY-E2	LR30XBN22DPRY-E2

Technical Parameter				
Supply voltage	10...30 VDC	10...30 VDC	10...30 VDC	10...30 VDC
Temperature drift	< ±10%	< ±10%	< ±10%	< ±10%
Load current	<200mA	<200mA	<200mA	<200mA
Voltage drop	<2.5V	<2.5V	<2.5V	<2.5V
Consumption current	<10mA	<10mA	<10mA	<10mA
Hysteresis	1...20%	1...20%	1...20%	1...20%
Repeat accuracy	<3%	<3%	<3%	<3%
Frequency	300Hz	150Hz	300Hz	150Hz
Output indicator	Yellow LED	Yellow LED	Yellow LED	Yellow LED
Polarity protection	yes	yes	yes	yes
Surge protection	yes	yes	yes	yes
Short-circuit protection	yes	yes	yes	yes
Ambient temperature	-25...+70°C	-25...+70°C	-25...+70°C	-25...+70°C
Ambient moisture	35...95%	35...95%	35...95%	35...95%
Protection degree	IP67	IP67	IP67	IP67
Housing material	Nickel-copper Alloy	Nickel-copper Alloy	Nickel-copper Alloy	Nickel-copper Alloy
Connection	2m PVC Cable	2m PVC Cable	M12 Connector	M12 Connector
Certification	CE U _L	CE U _L	CE U _L	CE U _L

* Cable material and length can be customized



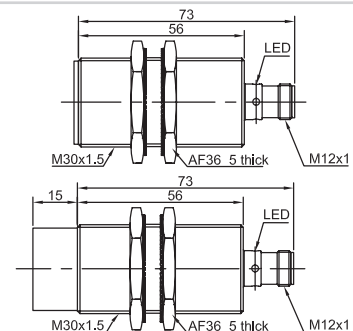
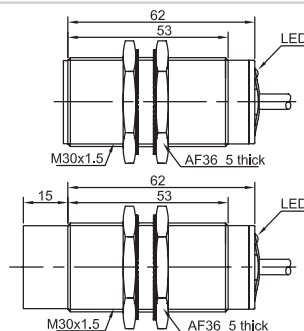
Item Code	LR30X		LR30X	
Mounting	● Flushed	◐ Non-flushed	● Flushed	◐ Non-flushed
Sensing distance	22mm	30mm	22mm	30mm



Output	NPN NO	LR30XCF22DNOY	LR30XCN30DNOY	LR30XCF22DNOY-E2	LR30XCN30DNOY-E2
	NPN NC	LR30XCF22DNCY	LR30XCN30DNCY	LR30XCF22DNCY-E2	LR30XCN30DNCY-E2
	NPN NO+NC	LR30XCF22DNRY	LR30XCN30DNRY	LR30XCF22DNRY-E2	LR30XCN30DNRY-E2
Output	PNP NO	LR30XCF22DPOY	LR30XCN30DPOY	LR30XCF22DPOY-E2	LR30XCN30DPOY-E2
	PNP NC	LR30XCF22DPCY	LR30XCN30DPCY	LR30XCF22DPCY-E2	LR30XCN30DPCY-E2
	PNP NO+NC	LR30XCF22DPRY	LR30XCN30DPRY	LR30XCF22DPRY-E2	LR30XCN30DPRY-E2

Technical Parameter				
Supply voltage	10...30 VDC	10...30 VDC	10...30 VDC	10...30 VDC
Temperature drift	< ±10%	< ±10%	< ±10%	< ±10%
Load current	<200mA	<200mA	<200mA	<200mA
Voltage drop	<2.5V	<2.5V	<2.5V	<2.5V
Consumption current	<10mA	<10mA	<10mA	<10mA
Hysteresis	1...20%	1...20%	1...20%	1...20%
Repeat accuracy	<3%	<3%	<3%	<3%
Frequency	100Hz	50Hz	100Hz	50Hz
Output indicator	Yellow LED	Yellow LED	Yellow LED	Yellow LED
Polarity protection	yes	yes	yes	yes
Surge protection	yes	yes	yes	yes
Short-circuit protection	yes	yes	yes	yes
Ambient temperature	-25...+70°C	-25...+70°C	-25...+70°C	-25...+70°C
Ambient moisture	35...95%	35...95%	35...95%	35...95%
Protection degree	IP67	IP67	IP67	IP67
Housing material	Nickel-copper Alloy	Nickel-copper Alloy	Nickel-copper Alloy	Nickel-copper Alloy
Connection	2m PVC Cable	2m PVC Cable	M12 Connector	M12 Connector
Certification	CE U _L	CE U _L	CE U _L	CE U _L

* Cable material and length can be customized



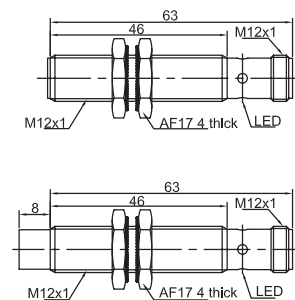
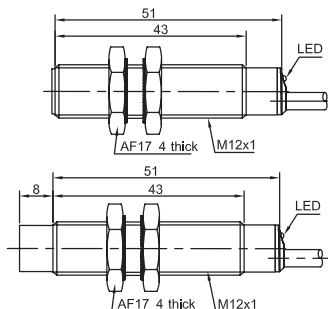
Item Code	LR12X		LR12X	
Mounting	● Flushed	◐ Non-flushed	● Flushed	◐ Non-flushed
Sensing distance	4mm	8mm	4mm	8mm



Output	DC 2 Wires NO	LR12XBF04DLOY	LR12XBN08DLOY	LR12XBF04DLOY-E2	LR12XBN08DLOY-E2
	DC 2 Wires NC		LR12XBF04DLCY	LR12XBN08DLCY	LR12XBF04DLCY-E2

Technical Parameter				
Supply voltage	10...30 VDC	10...30 VDC	10...30 VDC	10...30 VDC
Temperature drift	< ±10%	< ±10%	< ±10%	< ±10%
Load current	<100mA	<100mA	<100mA	<100mA
Voltage drop	<6V	<6V	<6V	<6V
Leakage current	<1mA	<1mA	<1mA	<1mA
Hysteresis	1...20%	1...20%	1...20%	1...20%
Repeat accuracy	<3%	<3%	<3%	<3%
Frequency	800Hz	500Hz	800Hz	500Hz
Output indicator	Yellow LED	Yellow LED	Yellow LED	Yellow LED
Polarity protection	yes	yes	yes	yes
Surge protection	yes	yes	yes	yes
Short-circuit protection
Ambient temperature	-25...+70°C	-25...+70°C	-25...+70°C	-25...+70°C
Ambient moisture	35...95%	35...95%	35...95%	35...95%
Protection degree	IP67	IP67	IP67	IP67
Housing material	Nickel-copper Alloy	Nickel-copper Alloy	Nickel-copper Alloy	Nickel-copper Alloy
Connection	2m PVC Cable	2m PVC Cable	M12 Connector	M12 Connector
Certification	CE U _L	CE U _L	CE U _L	CE U _L

* Cable material and length can be customized



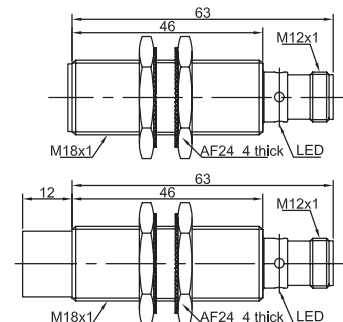
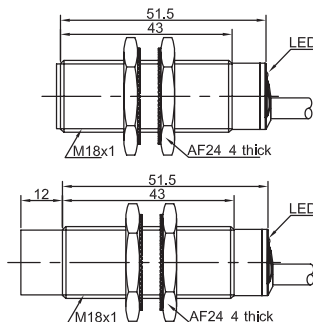
Item Code	LR18X		LR18X	
Mounting	● Flushed	◐ Non-flushed	● Flushed	◐ Non-flushed
Sensing distance	8mm	12mm	8mm	12mm



Output	DC 2 Wires NO	LR18XBF08DLOY	LR18XBN12DLOY	LR18XBF08DLOY-E2	LR18XBN12DLOY-E2
	DC 2 Wires NC		LR18XBF08DLCY	LR18XBN12DLCY	LR18XBF08DLCY-E2

Technical Parameter				
Supply voltage	10...30 VDC	10...30 VDC	10...30 VDC	10...30 VDC
Temperature drift	< ±10%	< ±10%	< ±10%	< ±10%
Load current	<100mA	<100mA	<100mA	<100mA
Voltage drop	<6V	<6V	<6V	<6V
Leakage current	<1mA	<1mA	<1mA	<1mA
Hysteresis	1...20%	1...20%	1...20%	1...20%
Repeat accuracy	<3%	<3%	<3%	<3%
Frequency	400Hz	200Hz	400Hz	200Hz
Output indicator	Yellow LED	Yellow LED	Yellow LED	Yellow LED
Polarity protection	yes	yes	yes	yes
Surge protection	yes	yes	yes	yes
Short-circuit protection
Ambient temperature	-25...+70°C	-25...+70°C	-25...+70°C	-25...+70°C
Ambient moisture	35...95%	35...95%	35...95%	35...95%
Protection degree	IP67	IP67	IP67	IP67
Housing material	Nickel-copper Alloy	Nickel-copper Alloy	Nickel-copper Alloy	Nickel-copper Alloy
Connection	2m PVC Cable	2m PVC Cable	M12 Connector	M12 Connector
Certification	CE U _L	CE U _L	CE U _L	CE U _L

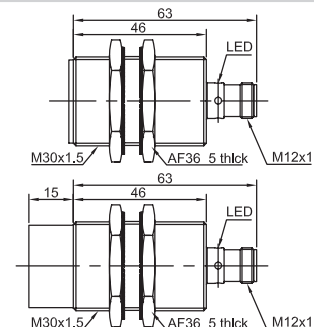
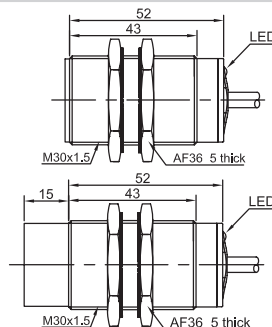
* Cable material and length can be customized



Item Code		LR30X		LR30X	
Mounting		● Flushed	◐ Non-flushed	● Flushed	◐ Non-flushed
Sensing distance		15mm	22mm	15mm	22mm
					
Output	DC 2 Wires NO	LR30XBF15DLOY	LR30XBN22DLOY	LR30XBF15DLOY-E2	LR30XBN22DLOY-E2
	DC 2 Wires NC	LR30XBF15DLCY	LR30XBN22DLCY	LR30XBF15DLCY-E2	LR30XBN22DLCY-E2

Technical Parameter					
Supply voltage		10...30 VDC	10...30 VDC	10...30 VDC	10...30 VDC
Temperature drift		< ±10%	< ±10%	< ±10%	< ±10%
Load current		<100mA	<100mA	<100mA	<100mA
Voltage drop		<6V	<6V	<6V	<6V
Leakage current		<1mA	<1mA	<1mA	<1mA
Hysteresis		1...20%	1...20%	1...20%	1...20%
Repeat accuracy		<3%	<3%	<3%	<3%
Frequency		300Hz	150Hz	300Hz	150Hz
Output indicator		Yellow LED	Yellow LED	Yellow LED	Yellow LED
Polarity protection		yes	yes	yes	yes
Surge protection		yes	yes	yes	yes
Short-circuit protection	
Ambient temperature		-25...+70°C	-25...+70°C	-25...+70°C	-25...+70°C
Ambient moisture		35...95%	35...95%	35...95%	35...95%
Protection degree		IP67	IP67	IP67	IP67
Housing material		Nickel-copper Alloy	Nickel-copper Alloy	Nickel-copper Alloy	Nickel-copper Alloy
Connection		2m PVC Cable	2m PVC Cable	M12 Connector	M12 Connector
Certification		CE U _L	CE U _L	CE U _L	CE U _L

* Cable material and length can be customized



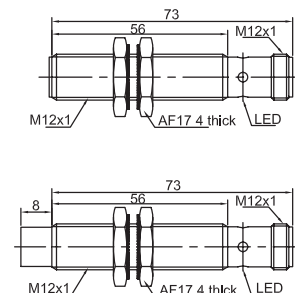
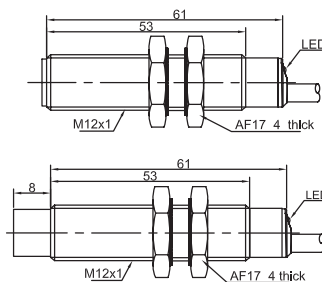
Item Code	LR12X		LR12X	
Mounting	● Flushed	◐ Non-flushed	● Flushed	◐ Non-flushed
Sensing distance	4mm	8mm	4mm	8mm



Output	AC 2 Wires NO	LR12XCF04ATOY	LR12XCN08ATOY	LR12XCF04ATOY-E2	LR12XCN08ATOY-E2
	AC 2 Wires NC		LR12XCF04ATCY	LR12XCN08ATCY	LR12XCF04ATCY-E2

Technical Parameter				
Supply voltage	20...250 VAC	20...250 VAC	20...250 VAC	20...250 VAC
Temperature drift	< ± 10%	< ± 10%	< ± 10%	< ± 10%
Load current	< 200mA	< 200mA	< 200mA	< 200mA
Voltage drop	< 10V	< 10V	< 10V	< 10V
Leakage current	< 3mA	< 3mA	< 3mA	< 3mA
Hysteresis	1...20%	1...20%	1...20%	1...20%
Repeat accuracy	< 3%	< 3%	< 3%	< 3%
Frequency	20Hz	20Hz	20Hz	20Hz
Output indicator	Yellow LED	Yellow LED	Yellow LED	Yellow LED
Polarity protection
Surge protection	yes	yes	yes	yes
Short-circuit protection
Ambient temperature	-25...+70°C	-25...+70°C	-25...+70°C	-25...+70°C
Ambient moisture	35...95%	35...95%	35...95%	35...95%
Protection degree	IP67	IP67	IP67	IP67
Housing material	Nickel-copper Alloy	Nickel-copper Alloy	Nickel-copper Alloy	Nickel-copper Alloy
Connection	2m PVC Cable	2m PVC Cable	M12 Connector	M12 Connector
Certification	CE U _L CCC	CE U _L CCC	CE U _L CCC	CE U _L CCC

* Cable material and length can be customized



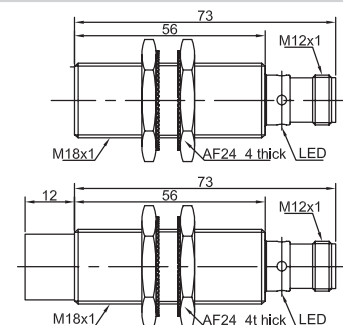
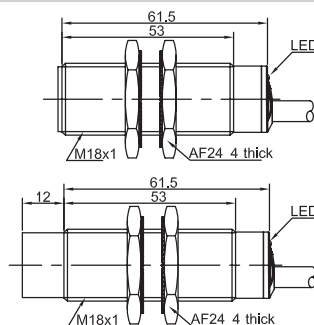
Item Code	LR18X		LR18X	
Mounting	● Flushed	◐ Non-flushed	● Flushed	◐ Non-flushed
Sensing distance	8mm	12mm	8mm	12mm



Output	AC 2 Wires NO	LR18XCF08ATOY	LR18XCN12ATOY	LR18XCF08ATOY-E2	LR18XCN12ATOY-E2
	AC 2 Wires NC	LR18XCF08ATCY	LR18XCN12ATCY	LR18XCF08ATCY-E2	LR18XCN12ATCY-E2

Technical Parameter					
Supply voltage	20...250 VAC	20...250 VAC	20...250 VAC	20...250 VAC	20...250 VAC
Temperature drift	< ±10%	< ±10%	< ±10%	< ±10%	< ±10%
Load current	<300mA	<300mA	<300mA	<300mA	<300mA
Voltage drop	<10V	<10V	<10V	<10V	<10V
Leakage current	<3mA	<3mA	<3mA	<3mA	<3mA
Hysteresis	1...20%	1...20%	1...20%	1...20%	1...20%
Repeat accuracy	<3%	<3%	<3%	<3%	<3%
Frequency	20Hz	20Hz	20Hz	20Hz	20Hz
Output indicator	Yellow LED	Yellow LED	Yellow LED	Yellow LED	Yellow LED
Polarity protection
Surge protection	yes	yes	yes	yes	yes
Short-circuit protection
Ambient temperature	-25...+70°C	-25...+70°C	-25...+70°C	-25...+70°C	-25...+70°C
Ambient moisture	35...95%	35...95%	35...95%	35...95%	35...95%
Protection degree	IP67	IP67	IP67	IP67	IP67
Housing material	Nickel-copper Alloy	Nickel-copper Alloy	Nickel-copper Alloy	Nickel-copper Alloy	Nickel-copper Alloy
Connection	2m PVC Cable	2m PVC Cable	M12 Connector	M12 Connector	M12 Connector
Certification	CE U _L CCC	CE U _L CCC	CE U _L CCC	CE U _L CCC	CE U _L CCC

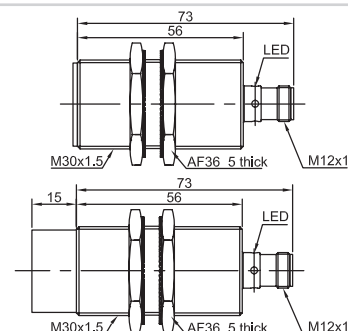
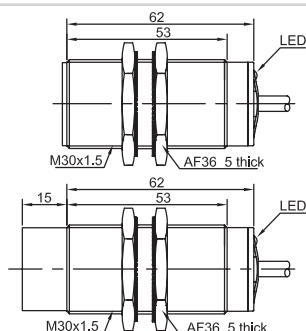
* Cable material and length can be customized



Item Code		LR30X		LR30X	
Mounting		● Flushed	◐ Non-flushed	● Flushed	◐ Non-flushed
Sensing distance		15mm	22mm	15mm	22mm
					
Output	AC 2 Wires NO	LR30XCF15ATOY	LR30XCN22ATOY	LR30XCF15ATOY-E2	LR30XCN22ATOY-E2
	AC 2 Wires NC	LR30XCF15ATCY	LR30XCN22ATCY	LR30XCF15ATCY-E2	LR30XCN22ATCY-E2

Technical Parameter					
Supply voltage		20...250 VAC	20...250 VAC	20...250 VAC	20...250 VAC
Temperature drift		< ±10%	< ±10%	< ±10%	< ±10%
Load current		<300mA	<300mA	<300mA	<300mA
Voltage drop		<10V	<10V	<10V	<10V
Leakage current		<3mA	<3mA	<3mA	<3mA
Hysteresis		1...20%	1...20%	1...20%	1...20%
Repeat accuracy		<3%	<3%	<3%	<3%
Frequency		20Hz	20Hz	20Hz	20Hz
Output indicator		Yellow LED	Yellow LED	Yellow LED	Yellow LED
Polarity protection	
Surge protection		yes	yes	yes	yes
Short-circuit protection	
Ambient temperature		-25...+70°C	-25...+70°C	-25...+70°C	-25...+70°C
Ambient moisture		35...95%	35...95%	35...95%	35...95%
Protection degree		IP67	IP67	IP67	IP67
Housing material		Nickel-copper Alloy	Nickel-copper Alloy	Nickel-copper Alloy	Nickel-copper Alloy
Connection		2m PVC Cable	2m PVC Cable	M12 Connector	M12 Connector
Certification		CE U _L CCC	CE U _L CCC	CE U _L CCC	CE U _L CCC

* Cable material and length can be customized



Item Code	LR18X		LR18X	
Mounting	● Flushed	◐ Non-flushed	● Flushed	◐ Non-flushed
Sensing distance	8mm	12mm	8mm	12mm

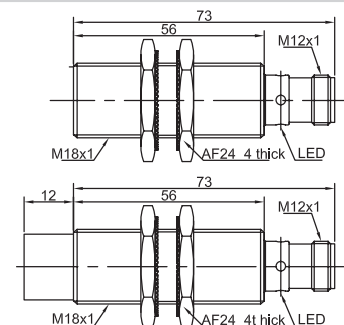
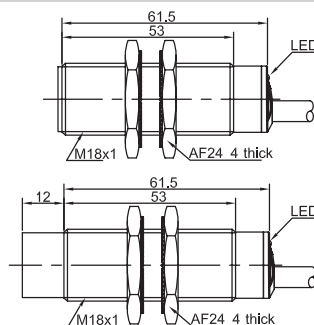


Output	DC/AC 2 Wires NO	LR18XCF08SBOY	LR18XCN12SBOY	LR18XCF08SBOY-E2	LR18XCN12SBOY-E2
	DC/AC 2 Wires NC	LR18XCF08SBCY	LR18XCN12SBCY	LR18XCF08SBCY-E2	LR18XCN12SBCY-E2



Technical Parameter

Supply voltage	20-250VAC/DC		20-250VAC/DC	
Temperature drift	< ±10%		< ±10%	
Load current	AC: <300mA, DC: <100mA		AC: <300mA, DC: <100mA	
Voltage drop	AC:<10V, DC:<8V		AC:<10V, DC:<8V	
Leakage current	AC: <3mA, DC: <1mA		AC: <3mA, DC: <1mA	
Hysteresis	1...20%		1...20%	
Repeat accuracy	<3%		<3%	
Frequency	AC: 20Hz, DC: 400Hz		AC: 20Hz, DC: 400Hz	
Output indicator	Yellow LED	Yellow LED	Yellow LED	Yellow LED
Polarity protection
Surge protection	yes	yes	yes	yes
Short-circuit protection
Ambient temperature	-25...+70°C		-25...+70°C	
Ambient moisture	35...95%		35...95%	
Protection degree	IP67		IP67	
Housing material	Nickel-copper Alloy	Nickel-copper Alloy	Nickel-copper Alloy	Nickel-copper Alloy
Connection	2m PVC Cable	2m PVC Cable	M12 Connector	M12 Connector
Certification	CE U _L CCC		CE U _L CCC	

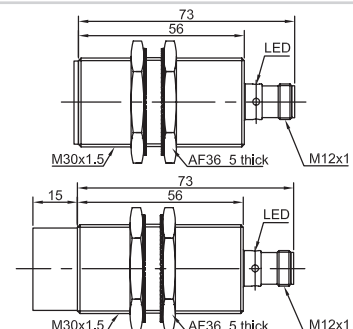
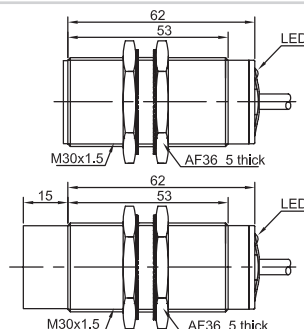
* Cable material and length can be customized



Item Code		LR30X		LR30X	
Mounting		● Flushed	⦿ Non-flushed	● Flushed	⦿ Non-flushed
Sensing distance		15mm	22mm	15mm	22mm
					
Output	DC/AC 2 Wires NO	LR30XCF15SBOY	LR30XCN22SBOY	LR30XCF15SBOY-E2	LR30XCN22SBOY-E2
	DC/AC 2 Wires NC	LR30XCF15SBCY	LR30XCN22SBCY	LR30XCF15SBCY-E2	LR30XCN22SBCY-E2

Technical Parameter					
Supply voltage	20-250VAC/DC		20-250VAC/DC		
Temperature drift	< ±10%		< ±10%		
Load current	AC: <300mA, DC: <100mA		AC: <300mA, DC: <100mA		
Voltage drop	AC:<10V, DC:<8V		AC:<10V, DC:<8V		
Leakage current	AC: <3mA, DC: <1mA		AC: <3mA, DC: <1mA		
Hysteresis	1...20%		1...20%		
Repeat accuracy	<3%		<3%		
Frequency	AC: 20Hz, DC: 300Hz		AC: 20Hz, DC: 300Hz		
Output indicator	Yellow LED	Yellow LED	Yellow LED	Yellow LED	
Polarity protection	
Surge protection	yes	yes	yes	yes	
Short-circuit protection	
Ambient temperature	-25...+70°C		-25...+70°C		
Ambient moisture	35...95%		35...95%		
Protection degree	IP67		IP67		
Housing material	Nickel-copper Alloy	Nickel-copper Alloy	Nickel-copper Alloy	Nickel-copper Alloy	
Connection	2m PVC Cable		M12 Connector		
Certification					

* Cable material and length can be customized

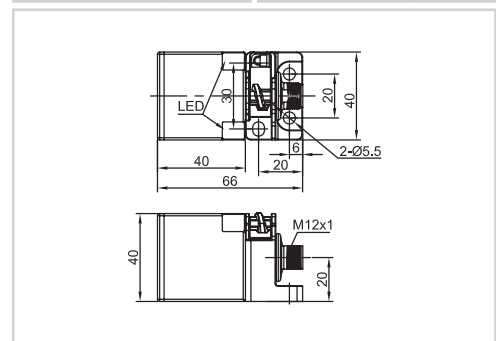
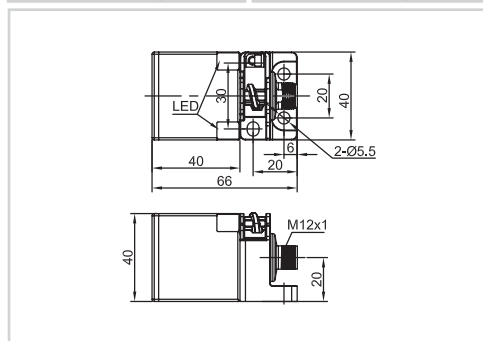


Item Code	LE40SZ		LR40SZ	
Mounting	● Flushed	◐ Non-flushed	● Flushed	◐ Non-flushed
Sensing distance	25mm	40mm	25mm	40mm



Output	NPN NO	LE40SZSF25DNOY-E2	LE40SZSN40DNOY-E2	LE40SZSF25ENYOY-E2	LE40SZSN40ENYOY-E2
	NPN NC	LE40SZSF25DNCY-E2	LE40SZSN40DNCY-E2	LE40SZSF25ENCY-E2	LE40SZSN40ENCY-E2
	NPN NO+NC	LE40SZSF25DNRY-E2	LE40SZSN40DNRY-E2	LE40SZSF25ENRY-E2	LE40SZSN40ENRY-E2
Output	PNP NO	LE40SZSF25DPOY-E2	LE40SZSN40DPOY-E2	LE40SZSF25EPOY-E2	LE40SZSN40EPOY-E2
	PNP NC	LE40SZSF25DPCY-E2	LE40SZSN40DPCY-E2	LE40SZSF25EPCY-E2	LE40SZSN40EPCY-E2
	PNP NO+NC	LE40SZSF25DPRY-E2	LE40SZSN40DPRY-E2	LE40SZSF25EPRY-E2	LE40SZSN40EPRY-E2

Technical Parameter				
Supply voltage	10...30 VDC	10...30 VDC	10...60 VDC	10...60 VDC
Temperature drift	< ±10%	< ±10%	< ±10%	< ±10%
Load current	<200mA	<200mA	<200mA	<200mA
Voltage drop	<2.5V	<2.5V	<2.5V	<2.5V
Consumption current	<10mA	<10mA	<10mA	<10mA
Hysteresis	1...20%	1...20%	1...20%	1...20%
Repeat accuracy	<3%	<3%	<3%	<3%
Frequency	200Hz	100Hz	200Hz	100Hz
Output indicator	Yellow LED	Yellow LED	Yellow LED	Yellow LED
Polarity protection	yes	yes	yes	yes
Surge protection	yes	yes	yes	yes
Short-circuit protection	yes	yes	yes	yes
Ambient temperature	-25...+70°C	-25...+70°C	-25...+70°C	-25...+70°C
Ambient moisture	35...95%	35...95%	35...95%	35...95%
Protection degree	IP67	IP67	IP67	IP67
Housing material	PBT	PBT	PBT	PBT
Connection	M12 Connector	M12 Connector	M12 Connector	M12 Connector
Certification	CE U _L	CE U _L	CE U _L	CE U _L

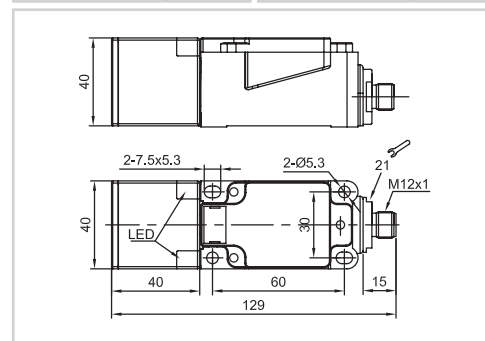
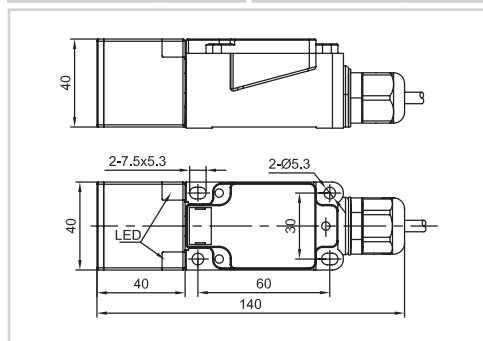


Item Code	LE40XZ		LR40XZ	
Mounting	● Flushed	◐ Non-flushed	● Flushed	◐ Non-flushed
Sensing distance	25mm	40mm	25mm	40mm



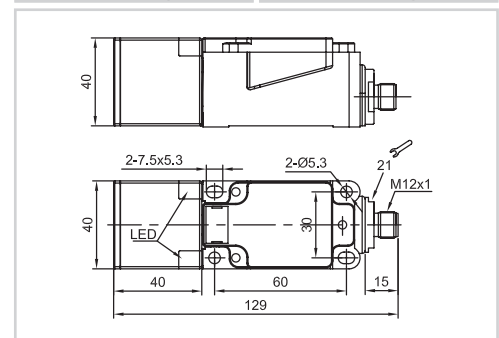
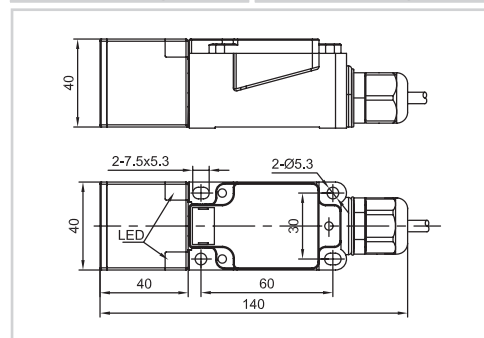
Output	NPN NO	LE40XZSF25DNOY-D	LE40XZSN40DNOY-D	LE40XZSF25DNOY-E2	LE40XZSN40DNOY-E2
	NPN NC	LE40XZSF25DNCY-D	LE40XZSN40DNCY-D	LE40XZSF25DNCY-E2	LE40XZSN40DNCY-E2
	NPN NO+NC	LE40XZSF25DNRY-D	LE40XZSN40DNRY-D	LE40XZSF25DNRY-E2	LE40XZSN40DNRY-E2
Output	PNP NO	LE40XZSF25DPOY-D	LE40XZSN40DPOY-D	LE40XZSF25DPOY-E2	LE40XZSN40DPOY-E2
	PNP NC	LE40XZSF25DPCY-D	LE40XZSN40DPCY-D	LE40XZSF25DPCY-E2	LE40XZSN40DPCY-E2
	PNP NO+NC	LE40XZSF25DPRY-D	LE40XZSN40DPRY-D	LE40XZSF25DPRY-E2	LE40XZSN40DPRY-E2

Technical Parameter				
Supply voltage	10...30 VDC	10...30 VDC	10...30 VDC	10...30 VDC
Temperature drift	< ±10%	< ±10%	< ±10%	< ±10%
Load current	<200mA	<200mA	<200mA	<200mA
Voltage drop	<2.5V	<2.5V	<2.5V	<2.5V
Consumption current	<10mA	<10mA	<10mA	<10mA
Hysteresis	1...20%	1...20%	1...20%	1...20%
Repeat accuracy	<3%	<3%	<3%	<3%
Frequency	200Hz	100Hz	200Hz	100Hz
Output indicator	Yellow LED	Yellow LED	Yellow LED	Yellow LED
Polarity protection	yes	yes	yes	yes
Surge protection	yes	yes	yes	yes
Short-circuit protection	yes	yes	yes	yes
Ambient temperature	-25...+70°C	-25...+70°C	-25...+70°C	-25...+70°C
Ambient moisture	35...95%	35...95%	35...95%	35...95%
Protection degree	IP67	IP67	IP67	IP67
Housing material	PBT	PBT	PBT	PBT
Connection	Terminal connect	Terminal connect	M12 Connector	M12 Connector
Certification	CE U _L	CE U _L	CE U _L	CE U _L



Item Code		LE40XZ		LR40XZ	
Mounting		● Flushed	◐ Non-flushed	● Flushed	◐ Non-flushed
Sensing distance		25mm	40mm	25mm	40mm
					
Output	NPN NO	LE40XZSF25ENYOY-D	LE40XZSN40ENYOY-D	LE40XZSF25ENYOY-E2	LE40XZSN40ENYOY-E2
	NPN NC	LE40XZSF25ENCY-D	LE40XZSN40ENCY-D	LE40XZSF25ENCY-E2	LE40XZSN40ENCY-E2
	NPN NO+NC	LE40XZSF25ENRY-D	LE40XZSN40ENRY-D	LE40XZSF25ENRY-E2	LE40XZSN40ENRY-E2
Output	PNP NO	LE40XZSF25EPOY-D	LE40XZSN40EPOY-D	LE40XZSF25EPOY-E2	LE40XZSN40EPOY-E2
	PNP NC	LE40XZSF25EPCY-D	LE40XZSN40EPCY-D	LE40XZSF25EPCY-E2	LE40XZSN40EPCY-E2
	PNP NO+NC	LE40XZSF25EPRY-D	LE40XZSN40EPRY-D	LE40XZSF25EPRY-E2	LE40XZSN40EPRY-E2

Technical Parameter				
Supply voltage	10...60 VDC	10...60 VDC	10...60 VDC	10...60 VDC
Temperature drift	< ±10%	< ±10%	< ±10%	< ±10%
Load current	<200mA	<200mA	<200mA	<200mA
Voltage drop	<2.5V	<2.5V	<2.5V	<2.5V
Consumption current	<10mA	<10mA	<10mA	<10mA
Hysteresis	1...20%	1...20%	1...20%	1...20%
Repeat accuracy	<3%	<3%	<3%	<3%
Frequency	200Hz	100Hz	200Hz	100Hz
Output indicator	Yellow LED	Yellow LED	Yellow LED	Yellow LED
Polarity protection	yes	yes	yes	yes
Surge protection	yes	yes	yes	yes
Short-circuit protection	yes	yes	yes	yes
Ambient temperature	-25...+70°C	-25...+70°C	-25...+70°C	-25...+70°C
Ambient moisture	35...95%	35...95%	35...95%	35...95%
Protection degree	IP67	IP67	IP67	IP67
Housing material	PBT	PBT	PBT	PBT
Connection	Terminal connect	Terminal connect	M12 Connector	M12 Connector
Certification	CE U _L	CE U _L	CE U _L	CE U _L

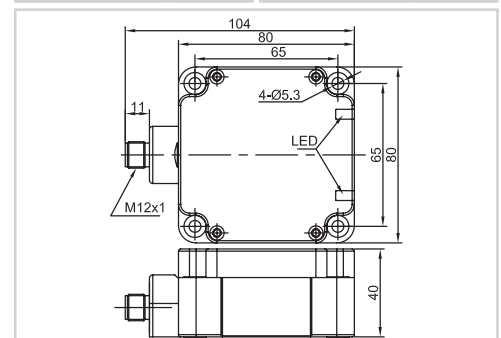
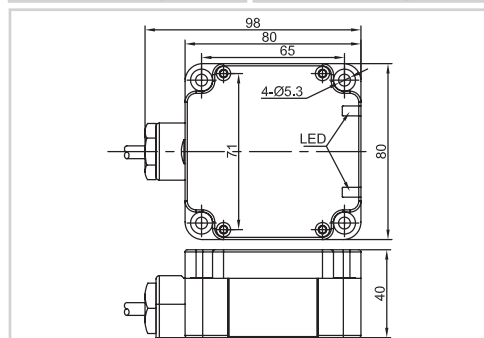


Item Code	LE80XZ		LR80XZ	
Mounting	● Flushed	◐ Non-flushed	● Flushed	◐ Non-flushed
Sensing distance	50mm	70mm	50mm	70mm



Output	NPN NO	LE80XZSF50DNOY-D	LE80XZSN70DNOY-D	LE80XZSF50DNOY-E2	LE80XZSN70DNOY-E2
	NPN NC	LE80XZSF50DNCY-D	LE80XZSN70DNCY-D	LE80XZSF50DNCY-E2	LE80XZSN70DNCY-E2
	NPN NO+NC	LE80XZSF50DNRY-D	LE80XZSN70DNRY-D	LE80XZSF50DNRY-E2	LE80XZSN70DNRY-E2
Output	PNP NO	LE80XZSF50DPOY-D	LE80XZSN70DPOY-D	LE80XZSF50DPOY-E2	LE80XZSN70DPOY-E2
	PNP NC	LE80XZSF50DPCY-D	LE80XZSN70DPCY-D	LE80XZSF50DPCY-E2	LE80XZSN70DPCY-E2
	PNP NO+NC	LE80XZSF50DPRY-D	LE80XZSN70DPRY-D	LE80XZSF50DPRY-E2	LE80XZSN70DPRY-E2

Technical Parameter				
Supply voltage	10...30 VDC	10...30 VDC	10...30 VDC	10...30 VDC
Temperature drift	< ±10%	< ±10%	< ±10%	< ±10%
Load current	<200mA	<200mA	<200mA	<200mA
Voltage drop	<2.5V	<2.5V	<2.5V	<2.5V
Consumption current	<10mA	<10mA	<10mA	<10mA
Hysteresis	1...20%	1...20%	1...20%	1...20%
Repeat accuracy	<3%	<3%	<3%	<3%
Frequency	50Hz	30Hz	50Hz	30Hz
Output indicator	Yellow LED	Yellow LED	Yellow LED	Yellow LED
Polarity protection	yes	yes	yes	yes
Surge protection	yes	yes	yes	yes
Short-circuit protection	yes	yes	yes	yes
Ambient temperature	-25...+70°C	-25...+70°C	-25...+70°C	-25...+70°C
Ambient moisture	35...95%	35...95%	35...95%	35...95%
Protection degree	IP67	IP67	IP67	IP67
Housing material	PBT	PBT	PBT	PBT
Connection	Terminal connect	Terminal connect	M12 Connector	M12 Connector
Certification	CE U _L	CE U _L	CE U _L	CE U _L

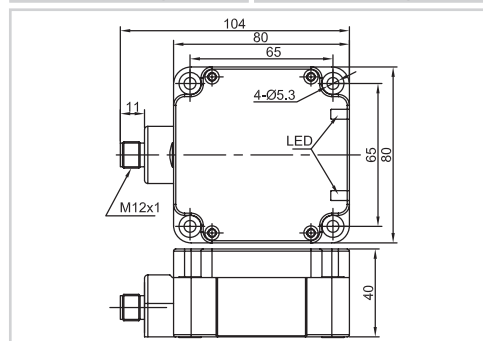
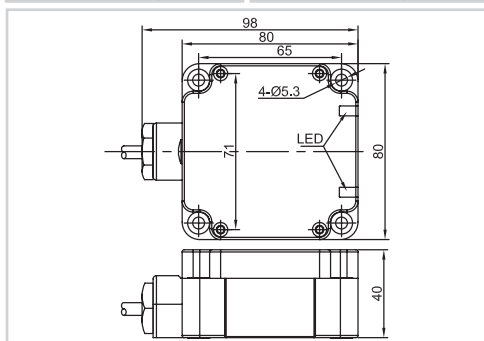


Item Code	LE80XZ		LR80XZ	
Mounting	● Flushed	◐ Non-flushed	● Flushed	◐ Non-flushed
Sensing distance	50mm	70mm	50mm	70mm



Output	NPN NO	LE80XZSF50ENYOY-D	LE80XZSN70ENYOY-D	LE80XZSF50ENYOY-E2	LE80XZSN70ENYOY-E2
	NPN NC	LE80XZSF50ENCY-D	LE80XZSN70ENCY-D	LE80XZSF50ENCY-E2	LE80XZSN70ENCY-E2
	NPN NO+NC	LE80XZSF50ENRY-D	LE80XZSN70ENRY-D	LE80XZSF50ENRY-E2	LE80XZSN70ENRY-E2
Output	PNP NO	LE80XZSF50EPOY-D	LE80XZSN70EPOY-D	LE80XZSF50EPOY-E2	LE80XZSN70EPOY-E2
	PNP NC	LE80XZSF50EPCY-D	LE80XZSN70EPCY-D	LE80XZSF50EPCY-E2	LE80XZSN70EPCY-E2
	PNP NO+NC	LE80XZSF50EPRY-D	LE80XZSN70EPRY-D	LE80XZSF50EPRY-E2	LE80XZSN70EPRY-E2

Technical Parameter				
Supply voltage	10...60 VDC	10...60 VDC	10...60 VDC	10...60 VDC
Temperature drift	< ±10%	< ±10%	< ±10%	< ±10%
Load current	<200mA	<200mA	<200mA	<200mA
Voltage drop	<2.5V	<2.5V	<2.5V	<2.5V
Consumption current	<10mA	<10mA	<10mA	<10mA
Hysteresis	1...20%	1...20%	1...20%	1...20%
Repeat accuracy	<3%	<3%	<3%	<3%
Frequency	50Hz	30Hz	50Hz	30Hz
Output indicator	Yellow LED	Yellow LED	Yellow LED	Yellow LED
Polarity protection	yes	yes	yes	yes
Surge protection	yes	yes	yes	yes
Short-circuit protection	yes	yes	yes	yes
Ambient temperature	-25...+70°C	-25...+70°C	-25...+70°C	-25...+70°C
Ambient moisture	35...95%	35...95%	35...95%	35...95%
Protection degree	IP67	IP67	IP67	IP67
Housing material	PBT	PBT	PBT	PBT
Connection	Terminal connect	Terminal connect	M12 Connector	M12 Connector
Certification	CE U _L	CE U _L	CE U _L	CE U _L



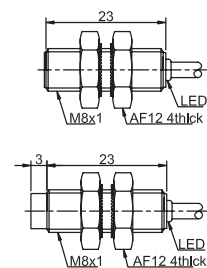
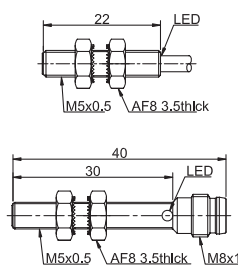
Item Code	LR05		LR08	
Mounting	● Flushed	◐ Non-flushed	● Flushed	◐ Non-flushed
Sensing distance	0.8mm	0.8mm	1.5mm	2mm



Output	NAMUR	LR05AF08FLCN	LR05AF08FLCN-E1	LR08AF15FLCN	LR08AN02FLCN

Technical Parameter					
Supply voltage		8.2 VDC	8.2 VDC	8.2 VDC	8.2 VDC
Temperature drift		< ±10%	< ±10%	< ±10%	< ±10%
Output current	Attenuation	≥2.2mA	≥2.2mA	≥2.2mA	≥2.2mA
	Non-attenuation	≤1mA	≤1mA	≤1mA	≤1mA
Load impedance		≥1KΩ	≥1KΩ	≥1KΩ	≥1KΩ
Hysteresis		1...20%	1...20%	1...20%	1...20%
Repeat accuracy		<3%	<3%	<3%	<3%
Frequency		3000Hz	3000Hz	2500Hz	2000Hz
Output indicator	
Polarity protection	
Surge protection	
Short-circuit protection	
Ambient temperature		-25...+70°C	-25...+70°C	-25...+70°C	-25...+70°C
Ambient moisture		35...95%	35...95%	35...95%	35...95%
Protection degree		IP67	IP67	IP67	IP67
Housing material		Stainless steel	Stainless steel	Stainless steel	Stainless steel
Connection		2m PVC Cable	M8 Connector	2m PVC Connector	2m PVC Connector
Certification		CE U _L	CE U _L	CE U _L	CE U _L

* Cable material and length can be customized



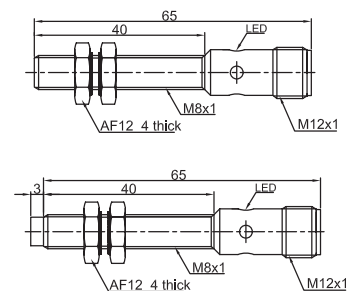
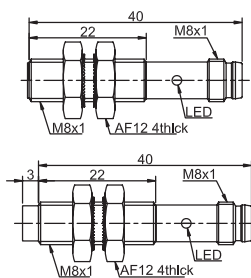
Item Code	LR08		LR08	
Mounting	● Flushed	◐ Non-flushed	● Flushed	◐ Non-flushed
Sensing distance	1.5mm	2mm	1.5mm	2mm



Output	NAMUR	LR08AF15FLCN-E1	LR08AN02FLCN-E1	LR08AF15FLCN-E2	LR08AN02FLCN-E2

Technical Parameter					
Supply voltage		8.2 VDC	8.2 VDC	8.2 VDC	8.2 VDC
Temperature drift		< ±10%	< ±10%	< ±10%	< ±10%
Output current	Attenuation	≥2.2mA	≥2.2mA	≥2.2mA	≥2.2mA
	Non-attenuation	≤1mA	≤1mA	≤1mA	≤1mA
Load impedance		≥1KΩ	≥1KΩ	≥1KΩ	≥1KΩ
Hysteresis		1...20%	1...20%	1...20%	1...20%
Repeat accuracy		<3%	<3%	<3%	<3%
Frequency		1000Hz	800Hz	1000Hz	800Hz
Output indicator	
Polarity protection	
Surge protection	
Short-circuit protection	
Ambient temperature		-25...+70°C	-25...+70°C	-25...+70°C	-25...+70°C
Ambient moisture		35...95%	35...95%	35...95%	35...95%
Protection degree		IP67	IP67	IP67	IP67
Housing material		Stainless steel	Stainless steel	Stainless steel	Stainless steel
Connection		M8 Connector	M8 Connector	M12 Connector	M12 Connector
Certification		CE U _L	CE U _L	CE U _L	CE U _L

* Cable material and length can be customized



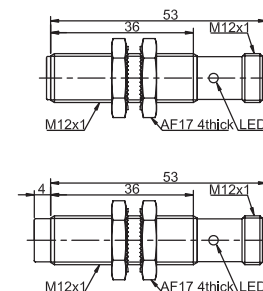
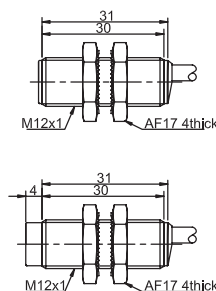
Item Code	LR12		LR12	
Mounting	● Flushed	◐ Non-flushed	● Flushed	◐ Non-flushed
Sensing distance	4mm	8mm	4mm	8mm



Output	NAMUR	LR12AF02FLCN	LR12AN04FLCN	LR12AF02FLCN-E2	LR12AN04FLCN-E2

Technical Parameter					
Supply voltage		8.2 VDC	8.2 VDC	8.2 VDC	8.2 VDC
Temperature drift		< ±10%	< ±10%	< ±10%	< ±10%
Output current	Attenuation	≥2.2mA	≥2.2mA	≥2.2mA	≥2.2mA
	Non-attenuation	≤1mA	≤1mA	≤1mA	≤1mA
Load impedance		≥1KΩ	≥1KΩ	≥1KΩ	≥1KΩ
Hysteresis		1...20%	1...20%	1...20%	1...20%
Repeat accuracy		<3%	<3%	<3%	<3%
Frequency		2000Hz	1500Hz	2000Hz	1500Hz
Output indicator	
Polarity protection	
Surge protection	
Short-circuit protection	
Ambient temperature		-25...+70°C	-25...+70°C	-25...+70°C	-25...+70°C
Ambient moisture		35...95%	35...95%	35...95%	35...95%
Protection degree		IP67	IP67	IP67	IP67
Housing material		Nickel-copper Alloy	Nickel-copper Alloy	Nickel-copper Alloy	Nickel-copper Alloy
Connection		2m PVC Cable	M8 Connector	M12 Connector	M12 Connector
Certification		CE U _L	CE U _L	CE U _L	CE U _L

* Cable material and length can be customized



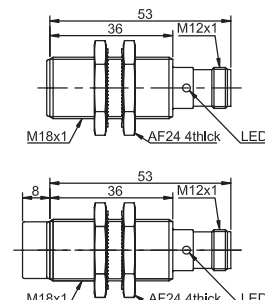
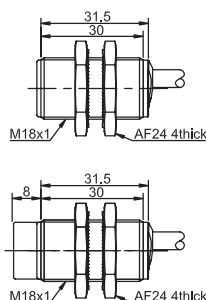
Item Code	LR18		LR18	
Mounting	● Flushed	◐ Non-flushed	● Flushed	◐ Non-flushed
Sensing distance	5mm	8mm	5mm	8mm



Output	NAMUR	LR18AF05FLCN	LR18AN08FLCN	LR18AF05FLCN-E2	LR18AN08FLCN-E2

Technical Parameter					
Supply voltage		8.2 VDC	8.2 VDC	8.2 VDC	8.2 VDC
Temperature drift		< ±10%	< ±10%	< ±10%	< ±10%
Output current	Attenuation	≥2.2mA	≥2.2mA	≥2.2mA	≥2.2mA
	Non-attenuation	≤1mA	≤1mA	≤1mA	≤1mA
Load impedance		≥1KΩ	≥1KΩ	≥1KΩ	≥1KΩ
Hysteresis		1...20%	1...20%	1...20%	1...20%
Repeat accuracy		<3%	<3%	<3%	<3%
Frequency		1500Hz	1000Hz	1500Hz	1000Hz
Output indicator	
Polarity protection	
Surge protection	
Short-circuit protection	
Ambient temperature		-25...+70°C	-25...+70°C	-25...+70°C	-25...+70°C
Ambient moisture		35...95%	35...95%	35...95%	35...95%
Protection degree		IP67	IP67	IP67	IP67
Housing material		Nickel-copper Alloy	Nickel-copper Alloy	Nickel-copper Alloy	Nickel-copper Alloy
Connection		2m PVC Cable	2m PVC Cable	M12 Connector	M12 Connector
Certification		CE U _L	CE U _L	CE U _L	CE U _L

* Cable material and length can be customized



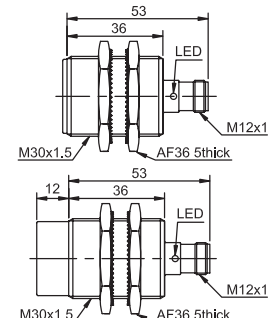
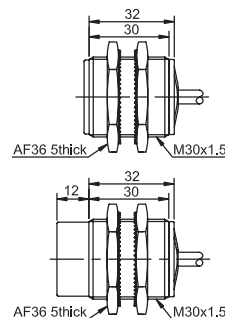
Item Code	LR30		LR30	
Mounting	● Flushed	◐ Non-flushed	● Flushed	◐ Non-flushed
Sensing distance	10mm	15mm	10mm	15mm



Output	NAMUR	LR30AF10FLCN	LR30AN15FLCN	LR30AF10FLCN-E2	LR30AN15FLCN-E2

Technical Parameter					
Supply voltage		8.2 VDC	8.2 VDC	8.2 VDC	8.2 VDC
Temperature drift		< ±10%	< ±10%	< ±10%	< ±10%
Output current	Attenuation	≥2.2mA	≥2.2mA	≥2.2mA	≥2.2mA
	Non-attenuation	≤1mA	≤1mA	≤1mA	≤1mA
Load impedance		≥1KΩ	≥1KΩ	≥1KΩ	≥1KΩ
Hysteresis		1...20%	1...20%	1...20%	1...20%
Repeat accuracy		<3%	<3%	<3%	<3%
Frequency		1000Hz	800Hz	1000Hz	800Hz
Output indicator	
Polarity protection	
Surge protection	
Short-circuit protection	
Ambient temperature		-25...+70°C	-25...+70°C	-25...+70°C	-25...+70°C
Ambient moisture		35...95%	35...95%	35...95%	35...95%
Protection degree		IP67	IP67	IP67	IP67
Housing material		Nickel-copper Alloy	Nickel-copper Alloy	Nickel-copper Alloy	Nickel-copper Alloy
Connection		2m PVC Cable	2m PVC Cable	M12 Connector	M12 Connector
Certification		CE U _L	CE U _L	CE U _L	CE U _L

* Cable material and length can be customized

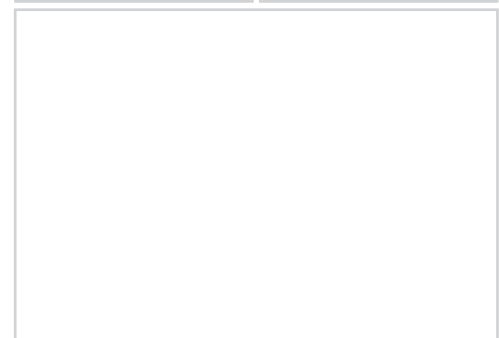
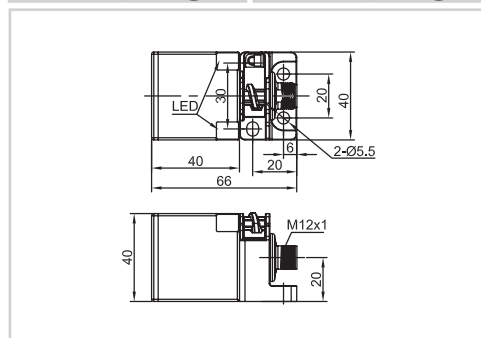






Item Code	LE40SZ			
Mounting	● Flushed	● Non-flushed		
Sensing distance	15mm	20mm		



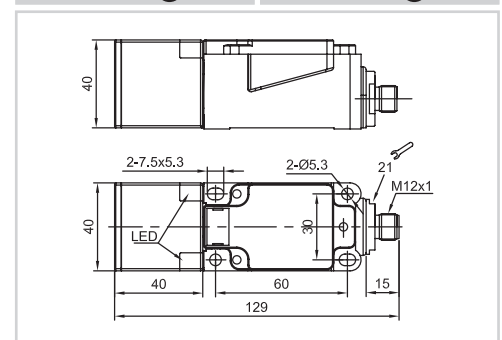
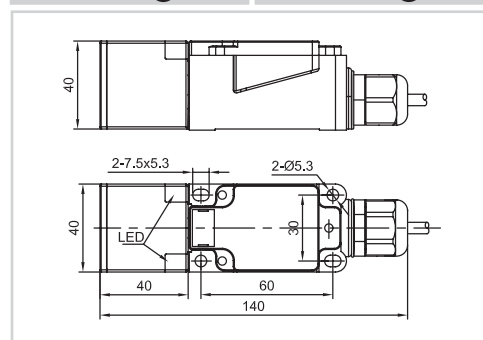
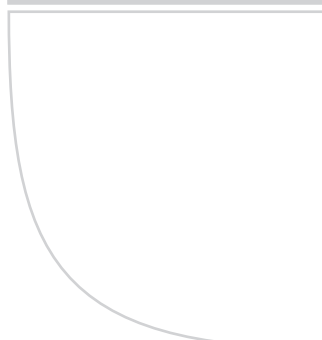
Output	NAMUR	LE40SZSF15FLCN-E2	LE40SZSN20FLCN-E2		


Technical Parameter					
Supply voltage		8.2 VDC	8.2 VDC		
Temperature drift		< ±10%	< ±10%		
Output current	Attenuation	≥2.2mA	≥2.2mA		
	Non-attenuation	≤1mA	≤1mA		
Load impedance		≥1KΩ	≥1KΩ		
Hysteresis		1...20%	1...20%		
Repeat accuracy		<3%	<3%		
Frequency		400Hz	250Hz		
Output indicator			
Polarity protection			
Surge protection			
Short-circuit protection			
Ambient temperature		-25...+70°C	-25...+70°C		
Ambient moisture		35...95%	35...95%		
Protection degree		IP67	IP67		
Housing material		PBT	PBT		
Connection		M12 Connector	M12 Connector		
Certification		CE U _L CCC	CE U _L CCC		



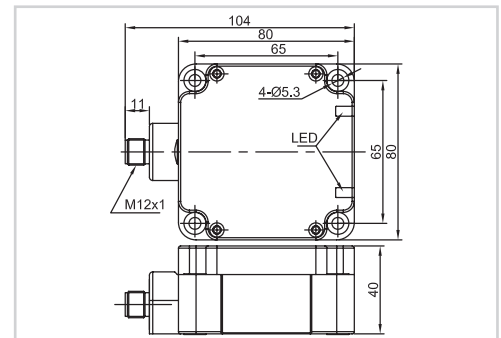
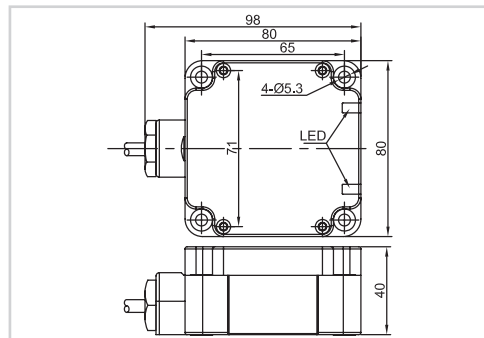
Item Code		LE40XZ		LE40XZ	
Mounting		● Flushed	◐ Non-flushed	● Flushed	◐ Non-flushed
Sensing distance		15mm	20mm	15mm	20mm
					
Output	NAMUR	LE40XZSF15FLCN-D	LE40XZSN20FLCN-D	LE40XZSF15FLCN-E2	LE40XZSN20FLCN-E2

Technical Parameter					
Supply voltage		8.2 VDC	8.2 VDC	8.2 VDC	8.2 VDC
Temperature drift		< ±10%	< ±10%	< ±10%	< ±10%
Output current	Attenuation	≥2.2mA	≥2.2mA	≥2.2mA	≥2.2mA
	Non-attenuation	≤1mA	≤1mA	≤1mA	≤1mA
Load impedance		≥1KΩ	≥1KΩ	≥1KΩ	≥1KΩ
Hysteresis		1...20%	1...20%	1...20%	1...20%
Repeat accuracy		<3%	<3%	<3%	<3%
Frequency		400Hz	250Hz	400Hz	250Hz
Output indicator	
Polarity protection	
Surge protection	
Short-circuit protection	
Ambient temperature		-25...+70°C	-25...+70°C	-25...+70°C	-25...+70°C
Ambient moisture		35...95%	35...95%	35...95%	35...95%
Protection degree		IP67	IP67	IP67	IP67
Housing material		PBT	PBT	PBT	PBT
Connection		Terminal connect	Terminal connect	M12 Connector	M12 Connector
Certification		CE U _L	CE U _L	CE U _L	CE U _L



Item Code		LE80XZ		LE80XZ	
Mounting		● Flushed	◐ Non-flushed	● Flushed	◐ Non-flushed
Sensing distance		40mm	50mm	40mm	50mm
					
Output	NAMUR	LE80XZSF40FLCN-D	LE80XZSN50FLCN-D	LE80XZSF40FLCN-E2	LE80XZSN50FLCN-E2

Technical Parameter					
Supply voltage		8.2 VDC	8.2 VDC	8.2 VDC	8.2 VDC
Temperature drift		< ±10%	< ±10%	< ±10%	< ±10%
Output current	Attenuation	≥2.2mA	≥2.2mA	≥2.2mA	≥2.2mA
	Non-attenuation	≤1mA	≤1mA	≤1mA	≤1mA
Load impedance		≥1KΩ	≥1KΩ	≥1KΩ	≥1KΩ
Hysteresis		1...20%	1...20%	1...20%	1...20%
Repeat accuracy		<3%	<3%	<3%	<3%
Frequency		100Hz	100Hz	100Hz	100Hz
Output indicator	
Polarity protection	
Surge protection	
Short-circuit protection	
Ambient temperature		-25...+70°C	-25...+70°C	-25...+70°C	-25...+70°C
Ambient moisture		35...95%	35...95%	35...95%	35...95%
Protection degree		IP67	IP67	IP67	IP67
Housing material		PBT	PBT	PBT	PBT
Connection		Terminal connect	Terminal connect	M12 Connector	M12 Connector
Certification		CE U _L	CE U _L	CE U _L	CE U _L



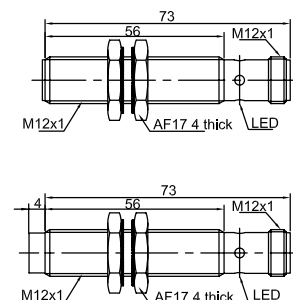
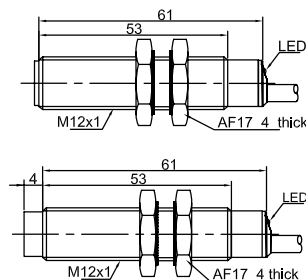
Item Code	LR12X		LR12X	
Mounting	● Flushed	◐ Non-flushed	● Flushed	◐ Non-flushed
Sensing distance	0.4... 2 mm	0.8... 4 mm	0.4... 2 mm	0.8... 4 mm



Output	0-10V	LR12XCF02LUM	LR12XCN04LUM	LR12XCF02LUM-E2	LR12XCN04LUM-E2
	0-20mA	LR12XCF02LIM	LR12XCN04LIM	LR12XCF02LIM-E2	LR12XCN04LIM-E2
4-20mA	LR12XCF02LI4M	LR12XCN04LI4M	LR12XCF02LI4M-E2	LR12XCN04LI4M-E2	
0-10V+0-20mA	LR12XCF02LIUM	LR12XCN04LIUM	LR12XCF02LIUM-E2	LR12XCN04LIUM-E2	

Technical Parameter				
Supply voltage	15...30 VDC	15...30 VDC	15...30 VDC	15...30 VDC
Switch point drift	< ±10% Sr	< ±10% Sr	< ±10% Sr	< ±10% Sr
Load current	Voltage output $R_L \geq 4.7k\Omega$, Current output $R_L \leq 470\Omega$		Voltage output $R_L \geq 4.7k\Omega$, Current output $R_L \leq 470\Omega$	
Voltage drop				
Consumption current	<20mA	<20mA	<20mA	<20mA
Hysteresis	< ±5%	< ±5%	< ±5%	< ±5%
Repeat accuracy	< ±3%	< ±3%	< ±3%	< ±3%
Frequency	200Hz	100Hz	200Hz	100Hz
Supply indicator	Yellow LED	Yellow LED	Yellow LED	Yellow LED
Polarity protection	yes	yes	yes	yes
Surge protection	yes	yes	yes	yes
Short-circuit protection
Ambient temperature	-25...+70°C	-25...+70°C	-25...+70°C	-25...+70°C
Ambient moisture	35...95%	35...95%	35...95%	35...95%
Protection degree	IP67	IP67	IP67	IP67
Housing material	Nickel-copper Alloy	Nickel-copper Alloy	Nickel-copper Alloy	Nickel-copper Alloy
Connection	2m PVC Cable	2m PVC Cable	M12 Connector	M12 Connector
Certification	CE U _L	CE U _L	CE U _L	CE U _L

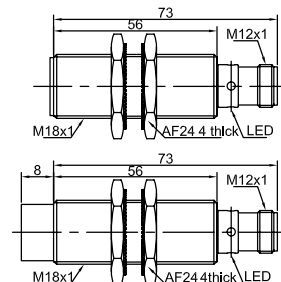
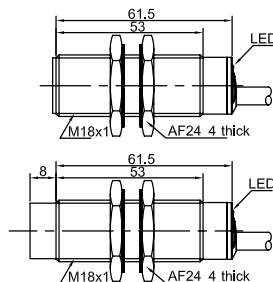
* Cable material and length can be customized




Item Code		LR18X		LR18X	
Mounting		● Flushed	◐ Non-flushed	● Flushed	◐ Non-flushed
Sensing distance		1... 5 mm	1.6... 8 mm	1... 5 mm	1.6... 8 mm
					
Output	0-10V	LR18XCF05LUM	LR18XCN08LUM	LR18XCF05LUM-E2	LR18XCN08LUM-E2
	0-20mA	LR18XCF05LIM	LR18XCN08LIM	LR18XCF05LIM-E2	LR18XCN08LIM-E2
	4-20mA	LR18XCF05LI4M	LR18XCN08LI4M	LR18XCF05LI4M-E2	LR18XCN08LI4M-E2
	0-10V+0-20mA	LR18XCF05LIUM	LR18XCN08LIUM	LR18XCF05LIUM-E2	LR18XCN08LIUM-E2

Technical Parameter					
Supply voltage		15...30 VDC	15...30 VDC	15...30 VDC	15...30 VDC
Switch point drift		< ±10% Sr	< ±10% Sr	< ±10% Sr	< ±10% Sr
Load current		Voltage output $R_L \geq 4.7K\Omega$, Current output $R_L \leq 470\Omega$		Voltage output $R_L \geq 4.7K\Omega$, Current output $R_L \leq 470\Omega$	
Voltage drop					
Consumption current		<20mA	<20mA	<20mA	<20mA
Hysteresis		< ±5%	< ±5%	< ±5%	< ±5%
Repeat accuracy		< ±3%	< ±3%	< ±3%	< ±3%
Frequency		200Hz	100Hz	200Hz	100Hz
Supply indicator		Yellow LED	Yellow LED	Yellow LED	Yellow LED
Polarity protection		yes	yes	yes	yes
Surge protection		yes	yes	yes	yes
Short-circuit protection	
Ambient temperature		-25...+70°C	-25...+70°C	-25...+70°C	-25...+70°C
Ambient moisture		35...95%	35...95%	35...95%	35...95%
Protection degree		IP67	IP67	IP67	IP67
Housing material		Nickel-copper Alloy	Nickel-copper Alloy	Nickel-copper Alloy	Nickel-copper Alloy
Connection		2m PVC Cable	2m PVC Cable	M12 Connector	M12 Connector
Certification		CE U _L	CE U _L	CE U _L	CE U _L

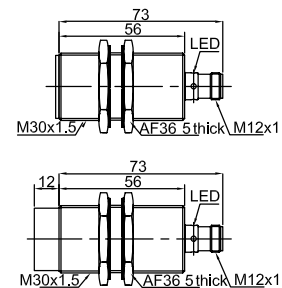
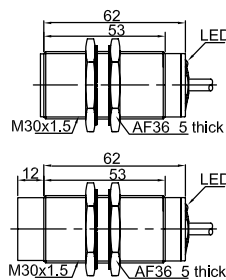
* Cable material and length can be customized



Item Code		LR30X		LR30X	
Mounting		● Flushed	⦿ Non-flushed	● Flushed	⦿ Non-flushed
Sensing distance		2... 10 mm	3... 15 mm	2... 10 mm	3... 15 mm
					
Output	0-10V	LR30XCF10LUM	LR30XCN15LUM	LR30XCF10LUM-E2	LR30XCN15LUM-E2
	0-20mA	LR30XCF10LIM	LR30XCN15LIM	LR30XCF10LIM-E2	LR30XCN15LIM-E2
	4-20mA	LR30XCF10LI4M	LR30XCN15LI4M	LR30XCF10LI4M-E2	LR30XCN15LI4M-E2
	0-10V+0-20mA	LR30XCF10LIUM	LR30XCN15LIUM	LR30XCF10LIUM-E2	LR30XCN15LIUM-E2

Technical Parameter					
Supply voltage		15...30 VDC	15...30 VDC	15...30 VDC	15...30 VDC
Switch point drift		< ±10% Sr	< ±10% Sr	< ±10% Sr	< ±10% Sr
Load current		Voltage output $R_L \geq 4.7K\Omega$, Current output $R_L \leq 470\Omega$		Voltage output $R_L \geq 4.7K\Omega$, Current output $R_L \leq 470\Omega$	
Voltage drop					
Consumption current		<20mA	<20mA	<20mA	<20mA
Hysteresis		< ±5%	< ±5%	< ±5%	< ±5%
Repeat accuracy		< ±3%	< ±3%	< ±3%	< ±3%
Frequency		200Hz	100Hz	200Hz	100Hz
Supply indicator		Yellow LED	Yellow LED	Yellow LED	Yellow LED
Polarity protection		yes	yes	yes	yes
Surge protection		yes	yes	yes	yes
Short-circuit protection	
Ambient temperature		-25...+70°C	-25...+70°C	-25...+70°C	-25...+70°C
Ambient moisture		35...95%	35...95%	35...95%	35...95%
Protection degree		IP67	IP67	IP67	IP67
Housing material		Nickel-copper Alloy	Nickel-copper Alloy	Nickel-copper Alloy	Nickel-copper Alloy
Connection		2m PVC Cable	2m PVC Cable	M12 Connector	M12 Connector
Certification		CE U _L	CE U _L	CE U _L	CE U _L

* Cable material and length can be customized



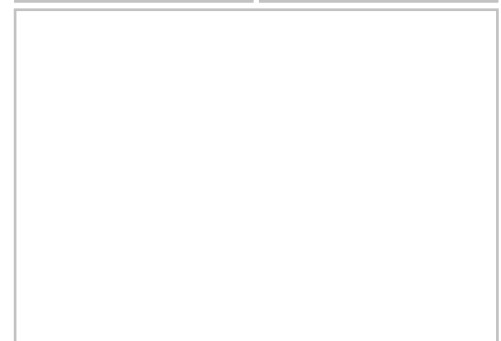
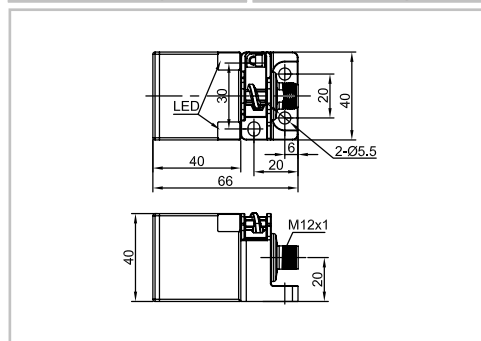
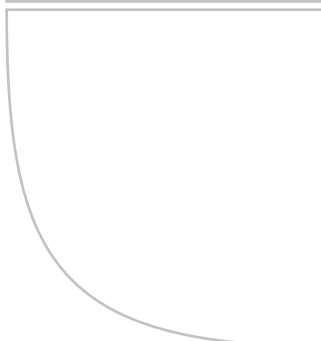
Item Code	LE40SZ	
Mounting	● Flushed	● Non-flushed
Sensing distance	2... 10 mm	3... 15 mm







Output	0-10V	LE40SZSF10LUM-E2	LE40SZSN15LUM-E2
	0-20mA	LE40SZSF10LIM-E2	LE40SZSN15LIM-E2
	4-20mA	LE40SZSF10LI4M-E2	LE40SZSN15LI4M-E2
	0-10V+0-20mA	LE40SZSF10LIUM-E2	LE40SZSN15LIUM-E2

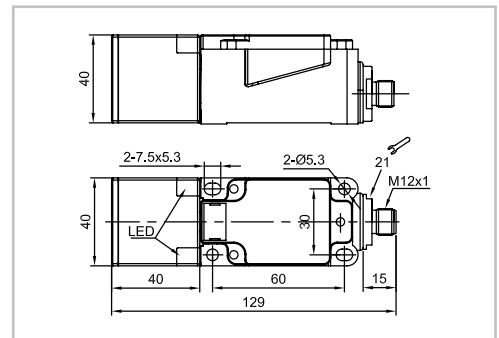
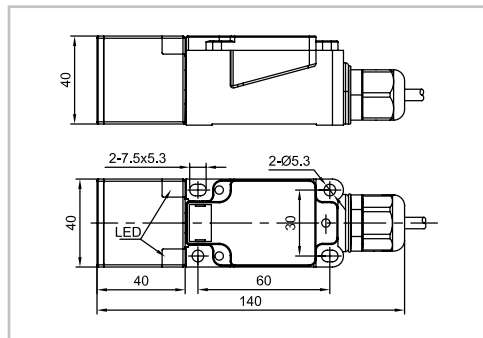
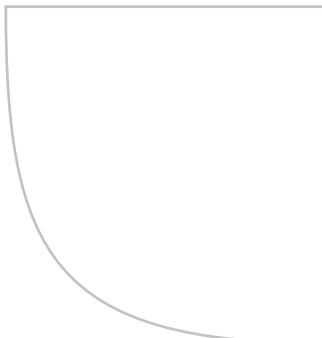
Technical Parameter

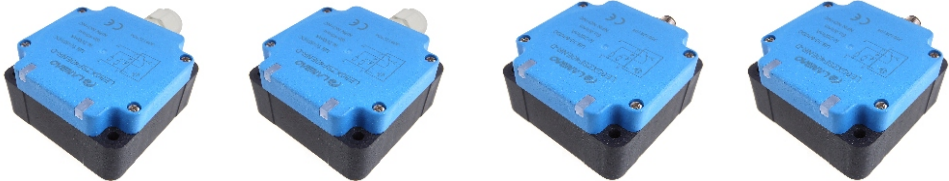
Supply voltage	15...30 VDC	15...30 VDC
Switch point drift	< ±10% Sr	< ±10% Sr
Load current	Voltage output $R_L \geq 4.7K\Omega$, Current output $R_L \leq 470\Omega$	
Voltage drop		
Consumption current	<20mA	<20mA
Hysteresis	< ±5%	< ±5%
Repeat accuracy	< ±3%	< ±3%
Frequency	100Hz	50Hz
Supply indicator	Yellow LED	Yellow LED
Polarity protection	yes	yes
Surge protection	yes	yes
Short-circuit protection
Ambient temperature	-25...+70°C	-25...+70°C
Ambient moisture	35...95%	35...95%
Protection degree	IP67	IP67
Housing material	PBT	PBT
Connection	M12 Connector	M12 Connector
Certification	CE U _L	CE U _L



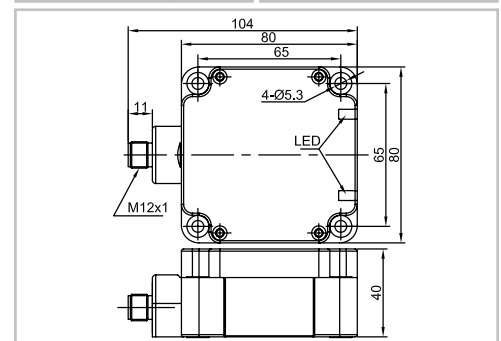
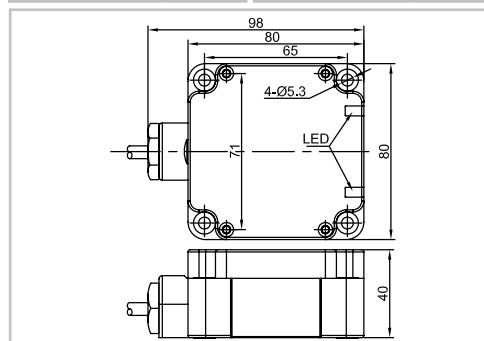
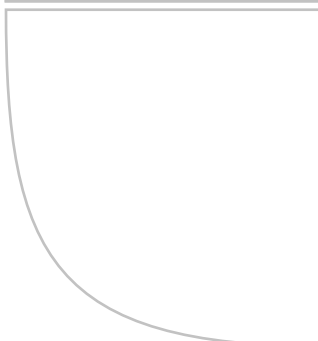
Item Code		LE40XZ		LE40XZ	
Mounting		● Flushed	◐ Non-flushed	● Flushed	◐ Non-flushed
Sensing distance		2... 10 mm	3... 15 mm	2... 10 mm	3... 15 mm
					
Output	0-10V	LE40XZSF10LUM-D	LE40XZSN15LUM-D	LE40XZSF10LUM-E2	LE40XZSN15LUM-E2
	0-20mA	LE40XZSF10LIM-D	LE40XZSN15LIM-D	LE40XZSF10LIM-E2	LE40XZSN15LIM-E2
	4-20mA	LE40XZSF10LI4M-D	LE40XZSN15LI4M-D	LE40XZSF10LI4M-E2	LE40XZSN15LI4M-E2
	0-10V+0-20mA	LE40XZSF10LIUM-D	LE40XZSN15LIUM-D	LE40XZSF10LIUM-E2	LE40XZSN15LIUM-E2

Technical Parameter				
Supply voltage	15...30 VDC	15...30 VDC	15...30 VDC	15...30 VDC
Switch point drift	< ±10% Sr	< ±10% Sr	< ±10% Sr	< ±10% Sr
Load current	Voltage output $R_L \geq 4.7K\Omega$, Current output $R_L \leq 470\Omega$		Voltage output $R_L \geq 4.7K\Omega$, Current output $R_L \leq 470\Omega$	
Voltage drop				
Consumption current	<20mA	<20mA	<20mA	<20mA
Hysteresis	< ±5%	< ±5%	< ±5%	< ±5%
Repeat accuracy	< ±3%	< ±3%	< ±3%	< ±3%
Frequency	100Hz	50Hz	100Hz	50Hz
Supply indicator	Yellow LED	Yellow LED	Yellow LED	Yellow LED
Polarity protection	yes	yes	yes	yes
Surge protection	yes	yes	yes	yes
Short-circuit protection
Ambient temperature	-25...+70°C	-25...+70°C	-25...+70°C	-25...+70°C
Ambient moisture	35...95%	35...95%	35...95%	35...95%
Protection degree	IP67	IP67	IP67	IP67
Housing material	PBT	PBT	PBT	PBT
Connection	Terminal connect	Terminal connect	M12 Connector	M12 Connector
Certification	CE U _L	CE U _L	CE U _L	CE U _L



Item Code	LE80XZ		LE80XZ		
Mounting	● Flushed	◐ Non-flushed	● Flushed	◐ Non-flushed	
Sensing distance	8... 40 mm	10... 50 mm	8... 40 mm	10... 50 mm	
					
Output	0-10V	LE80XZSF40LUM-D	LE80XZSN50LUM-D	LE80XZSF40LUM-E2	LE80XZSN50LUM-E2
	0-20mA	LE80XZSF40LIM-D	LE80XZSN50LIM-D	LE80XZSF40LIM-E2	LE80XZSN50LIM-E2
	4-20mA	LE80XZSF40LI4M-D	LE80XZSN50LI4M-D	LE80XZSF40LI4M-E2	LE80XZSN50LI4M-E2
	0-10V+0-20mA	LE80XZSF40LIUM-D	LE80XZSN50LIUM-D	LE80XZSF40LIUM-E2	LE80XZSN50LIUM-E2

Technical Parameter				
Supply voltage	15...30 VDC	15...30 VDC	15...30 VDC	15...30 VDC
Switch point drift	< ±10% Sr	< ±10% Sr	< ±10% Sr	< ±10% Sr
Load current	Voltage output $R_L \geq 4.7K\Omega$, Current output $R_L \leq 470\Omega$		Voltage output $R_L \geq 4.7K\Omega$, Current output $R_L \leq 470\Omega$	
Voltage drop				
Consumption current	<20mA	<20mA	<20mA	<20mA
Hysteresis	< ±5%	< ±5%	< ±5%	< ±5%
Repeat accuracy	< ±3%	< ±3%	< ±3%	< ±3%
Frequency	80Hz	40Hz	80Hz	40Hz
Supply indicator	Yellow LED	Yellow LED	Yellow LED	Yellow LED
Polarity protection	yes	yes	yes	yes
Surge protection	yes	yes	yes	yes
Short-circuit protection
Ambient temperature	-25...+70°C	-25...+70°C	-25...+70°C	-25...+70°C
Ambient moisture	35...95%	35...95%	35...95%	35...95%
Protection degree	IP67	IP67	IP67	IP67
Housing material	PBT	PBT	PBT	PBT
Connection	Terminal connect	Terminal connect	M12 Connector	M12 Connector
Certification	CE U _L	CE U _L	CE U _L	CE U _L



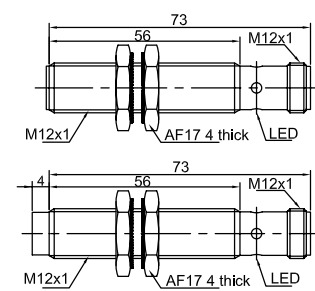
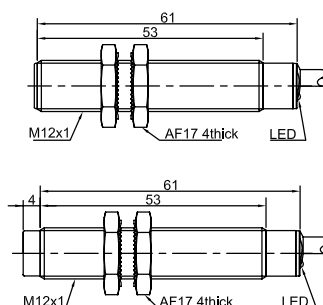
Item Code	LR12X		LR12X	
Mounting	● Flushed	◐ Non-flushed	● Flushed	◐ Non-flushed
Sensing distance	2mm	4mm	2mm	4mm



Output	NPN NO	LR12XCF02DNOG	LR12XCN04DNOG	LR12XCF02DNOG-E2	LR12XCN04DNOG-E2
	NPN NC	LR12XCF02DNCG	LR12XCN04DNCG	LR12XCF02DNCG-E2	LR12XCN04DNCG-E2
Output	PNP NO	LR12XCF02DPOG	LR12XCN04DPOG	LR12XCF02DPOG-E2	LR12XCN04DPOG-E2
	PNP NC	LR12XCF02DPCG	LR12XCN04DPCG	LR12XCF02DPCG-E2	LR12XCN04DPCG-E2

Technical Parameter				
Supply voltage	10...30 VDC	10...30 VDC	10...30 VDC	10...30 VDC
Switch point drift	< ±10% Sr	< ±10% Sr	< ±10% Sr	< ±10% Sr
Load current	<200mA	<200mA	<200mA	<200mA
Voltage drop	<2.5V	<2.5V	<2.5V	<2.5V
Consumption current	<10mA	<10mA	<10mA	<10mA
Hysteresis	1...20%	1...20%	1...20%	1...20%
Repeat accuracy	<3%	<3%	<3%	<3%
Frequency	4000Hz	3000Hz	4000Hz	3000Hz
Output indicator	Yellow LED	Yellow LED	Yellow LED	Yellow LED
Polarity protection	yes	yes	yes	yes
Surge protection	yes	yes	yes	yes
Short-circuit protection	yes	yes	yes	yes
Ambient temperature	-25...+70°C	-25...+70°C	-25...+70°C	-25...+70°C
Ambient moisture	35...95%	35...95%	35...95%	35...95%
Protection degree	IP67	IP67	IP67	IP67
Housing material	Nickel-copper Alloy	Nickel-copper Alloy	Nickel-copper Alloy	Nickel-copper Alloy
Connection	2m PVC Cable	2m PVC Cable	M12 Connector	M12 Connector
Certification	CE U _L	CE U _L	CE U _L	CE U _L

* Cable material and length can be customized



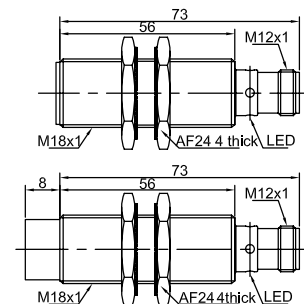
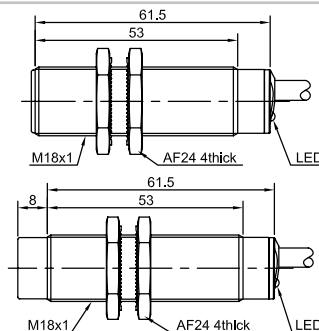
Item Code	LR18X		LR18X	
Mounting	● Flushed	◐ Non-flushed	● Flushed	◐ Non-flushed
Sensing distance	5mm	8mm	5mm	8mm



Output	NPN NO	LR18XCF05DNOG	LR18XCN08DNOG	LR18XCF05DNOG-E2	LR18XCN08DNOG-E2
	NPN NC	LR18XCF05DNCG	LR18XCN08DNCG	LR18XCF05DNCG-E2	LR18XCN08DNCG-E2
Output	PNP NO	LR18XCF05DPOG	LR18XCN08DPOG	LR18XCF05DPOG-E2	LR18XCN08DPOG-E2
	PNP NC	LR18XCF05DPCG	LR18XCN08DPCG	LR18XCF05DPCG-E2	LR18XCN08DPCG-E2

Technical Parameter				
Supply voltage	10...30 VDC	10...30 VDC	10...30 VDC	10...30 VDC
Switch point drift	< ±10% Sr	< ±10% Sr	< ±10% Sr	< ±10% Sr
Load current	<200mA	<200mA	<200mA	<200mA
Voltage drop	<2.5V	<2.5V	<2.5V	<2.5V
Consumption current	<10mA	<10mA	<10mA	<10mA
Hysteresis	1...20%	1...20%	1...20%	1...20%
Repeat accuracy	<3%	<3%	<3%	<3%
Frequency	2000Hz	1500Hz	2000Hz	1500Hz
Output indicator	Yellow LED	Yellow LED	Yellow LED	Yellow LED
Polarity protection	yes	yes	yes	yes
Surge protection	yes	yes	yes	yes
Short-circuit protection	yes	yes	yes	yes
Ambient temperature	-25...+70°C	-25...+70°C	-25...+70°C	-25...+70°C
Ambient moisture	35...95%	35...95%	35...95%	35...95%
Protection degree	IP67	IP67	IP67	IP67
Housing material	Nickel-copper Alloy	Nickel-copper Alloy	Nickel-copper Alloy	Nickel-copper Alloy
Connection	2m PVC Cable	2m PVC Cable	M12 Connector	M12 Connector
Certification	CE U _L	CE U _L	CE U _L	CE U _L

* Cable material and length can be customized

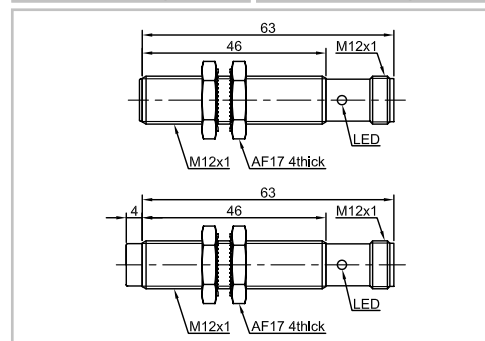
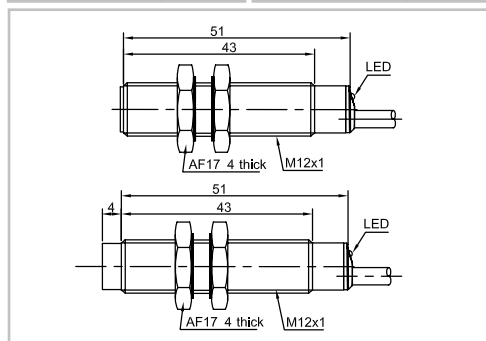
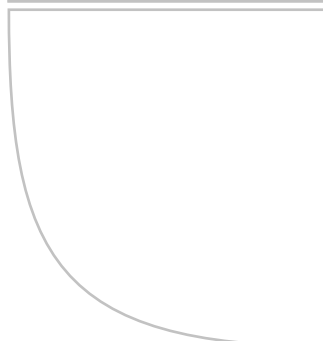


外形编号	LR12X		LR12X	
安装方式	● 埋入	○ 非埋	● 埋入	○ 非埋
检测距离	2mm	4mm	2mm	4mm



输出方式	NPN NO	LR12XBF02DNEW1	LR12XBN04DNEW1	LR12XBF02DNEW1-E2	LR12XBN04DNEW1-E2
	NPN NC	LR12XBF02DNCW1	LR12XBN04DNCW1	LR12XBF02DNCW1-E2	LR12XBN04DNCW1-E2
输出方式	PNP NO	LR12XBF02DPOW1	LR12XBN04DPOW1	LR12XBF02DPOW1-E2	LR12XBN04DPOW1-E2
	PNP NC	LR12XBF02DPCW1	LR12XBN04DPCW1	LR12XBF02DPCW1-E2	LR12XBN04DPCW1-E2

技术参数					
电源电压	10...30 VDC	10...30 VDC	10...30 VDC	10...30 VDC	10...30 VDC
开关点偏移	< ±10% Sr	< ±10% Sr	< ±10% Sr	< ±10% Sr	< ±10% Sr
负载电流	<200mA	<200mA	<200mA	<200mA	<200mA
压降	<2.5V	<2.5V	<2.5V	<2.5V	<2.5V
消耗电流	<15mA	<15mA	<15mA	<15mA	<15mA
回差范围	1...20%	1...20%	1...20%	1...20%	1...20%
重复精度	<3%	<3%	<3%	<3%	<3%
开关频率	1500Hz	1000Hz	1500Hz	1000Hz	1000Hz
输出指示	黄色 LED	黄色 LED	黄色 LED	黄色 LED	黄色 LED
极性保护	yes	yes	yes	yes	yes
浪涌保护	yes	yes	yes	yes	yes
短路保护	yes	yes	yes	yes	yes
环境温度	-40...+70°C	-40...+70°C	-40...+70°C	-40...+70°C	-40...+70°C
环境湿度	35...95%	35...95%	35...95%	35...95%	35...95%
防护等级	IP67	IP67	IP67	IP67	IP67
外壳材料	镍铜合金	镍铜合金	镍铜合金	镍铜合金	镍铜合金
连接方式	2m PUR 电缆	2m PUR 电缆	M12 连接器	M12 连接器	M12 连接器
产品认证	CE U _L	CE U _L	CE U _L	CE U _L	CE U _L



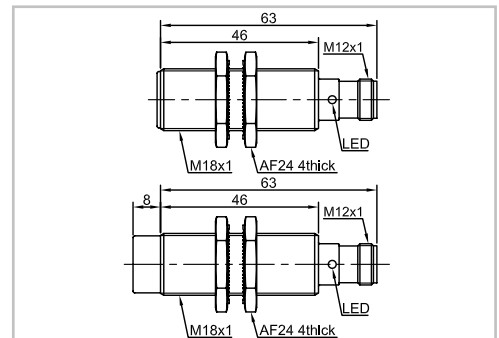
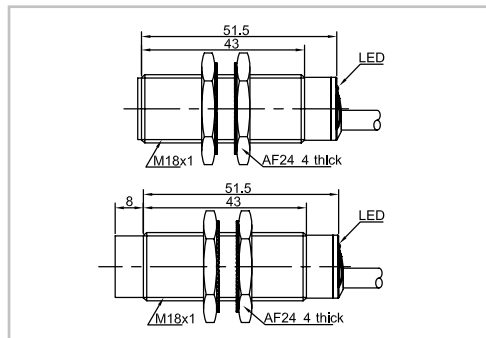
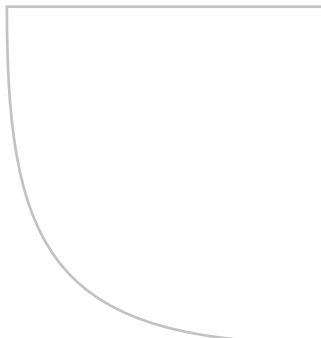
外形编号	LR18X		LR18X	
安装方式	● 埋入	○ 非埋	● 埋入	○ 非埋
检测距离	5mm	8mm	5mm	8mm



输出方式	NPN NO	LR18XBFO5DNO1	LR18XBN08DNO1	LR18XBFO5DNO1-E2	LR18XBN08DNO1-E2
	NPN NC	LR18XBFO5DNCW1	LR18XBN08DNCW1	LR18XBFO5DNCW1-E2	LR18XBN08DNCW1-E2
输出方式	PNP NO	LR18XBFO5DPO1	LR18XBN08DPO1	LR18XBFO5DPO1-E2	LR18XBN08DPO1-E2
	PNP NC	LR18XBFO5DPCW1	LR18XBN08DPCW1	LR18XBFO5DPCW1-E2	LR18XBN08DPCW1-E2

技术参数

电源电压	10...30 VDC	10...30 VDC	10...30 VDC	10...30 VDC
开关点偏移	< ±10% Sr	< ±10% Sr	< ±10% Sr	< ±10% Sr
负载电流	<200mA	<200mA	<200mA	<200mA
压降	<2.5V	<2.5V	<2.5V	<2.5V
消耗电流	<15mA	<15mA	<15mA	<15mA
回差范围	1...20%	1...20%	1...20%	1...20%
重复精度	<3%	<3%	<3%	<3%
开关频率	1000Hz	800Hz	1000Hz	800Hz
输出指示	黄色 LED	黄色 LED	黄色 LED	黄色 LED
极性保护	yes	yes	yes	yes
浪涌保护	yes	yes	yes	yes
短路保护	yes	yes	yes	yes
环境温度	-40...+70°C	-40...+70°C	-40...+70°C	-40...+70°C
环境湿度	35...95%	35...95%	35...95%	35...95%
防护等级	IP67	IP67	IP67	IP67
外壳材料	镍铜合金	镍铜合金	镍铜合金	镍铜合金
连接方式	2m PUR 电缆	2m PUR 电缆	M12 连接器	M12 连接器
产品认证	CE U _L	CE U _L	CE U _L	CE U _L

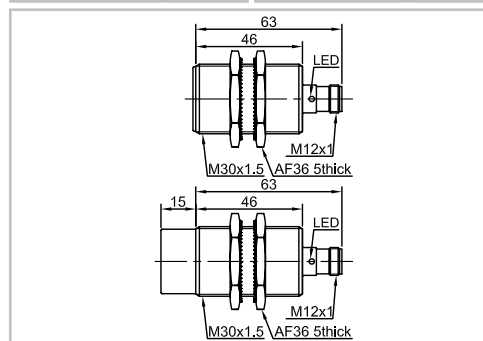
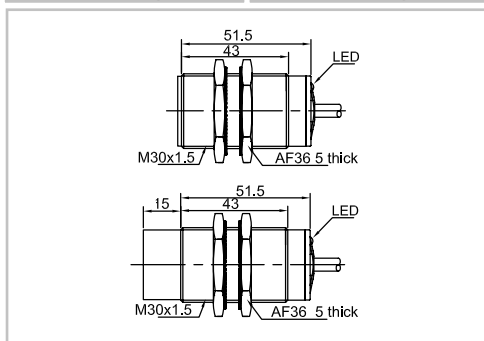


外形编号	LR30X		LR30X	
安装方式	● 埋入	○ 非埋	● 埋入	○ 非埋
检测距离	10mm	15mm	10mm	15mm



输出方式	NPN NO	LR30XBF10DNOW1	LR30XBN15DNOW1	LR30XBF10DNOW1-E2	LR30XBN15DNOW1-E2
	NPN NC	LR30XBF10DNCW1	LR30XBN15DNCW1	LR30XBF10DNCW1-E2	LR30XBN15DNCW1-E2
输出方式	PNP NO	LR30XBF10DPOW1	LR30XBN15DPOW1	LR30XBF10DPOW1-E2	LR30XBN15DPOW1-E2
	PNP NC	LR30XBF10DPCW1	LR30XBN15DPCW1	LR30XBF10DPCW1-E2	LR30XBN15DPCW1-E2

技术参数					
电源电压	10...30 VDC	10...30 VDC	10...30 VDC	10...30 VDC	10...30 VDC
开关点偏移	< ±10% Sr	< ±10% Sr	< ±10% Sr	< ±10% Sr	< ±10% Sr
负载电流	<200mA	<200mA	<200mA	<200mA	<200mA
压降	<2.5V	<2.5V	<2.5V	<2.5V	<2.5V
消耗电流	<15mA	<15mA	<15mA	<15mA	<15mA
回差范围	1...20%	1...20%	1...20%	1...20%	1...20%
重复精度	<3%	<3%	<3%	<3%	<3%
开关频率	500Hz	300Hz	500Hz	300Hz	300Hz
输出指示	黄色 LED	黄色 LED	黄色 LED	黄色 LED	黄色 LED
极性保护	yes	yes	yes	yes	yes
浪涌保护	yes	yes	yes	yes	yes
短路保护	yes	yes	yes	yes	yes
环境温度	-40...+70°C	-40...+70°C	-40...+70°C	-40...+70°C	-40...+70°C
环境湿度	35...95%	35...95%	35...95%	35...95%	35...95%
防护等级	IP67	IP67	IP67	IP67	IP67
外壳材料	镍铜合金	镍铜合金	镍铜合金	镍铜合金	镍铜合金
连接方式	2m PUR 电缆	2m PUR 电缆	M12 连接器	M12 连接器	M12 连接器
产品认证	CE U _L	CE U _L	CE U _L	CE U _L	CE U _L

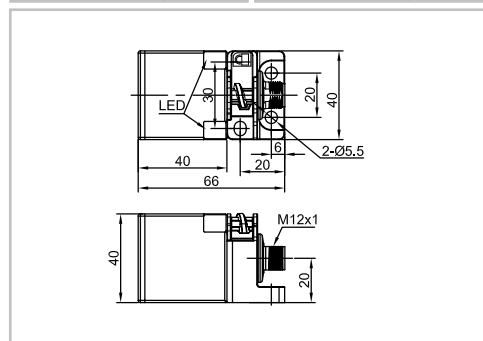
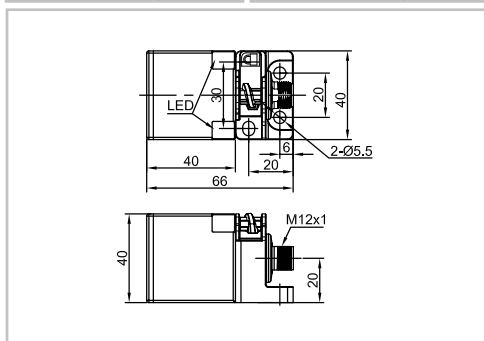
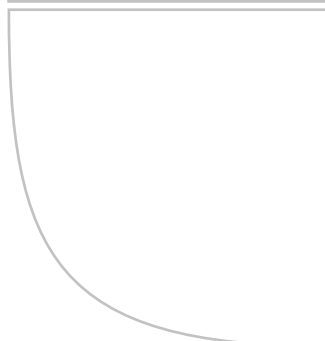



外形编号	LE40SZ		LE40SZ	
安装方式	● 埋入	○ 非埋	● 埋入	○ 非埋
检测距离	15mm	20mm	15mm	20mm



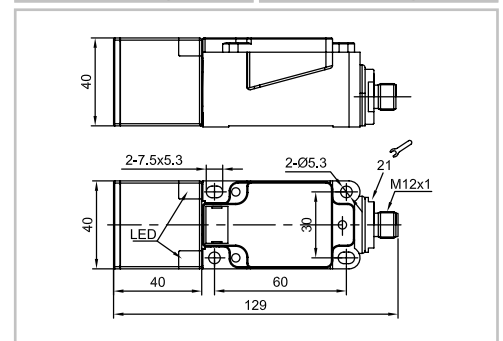
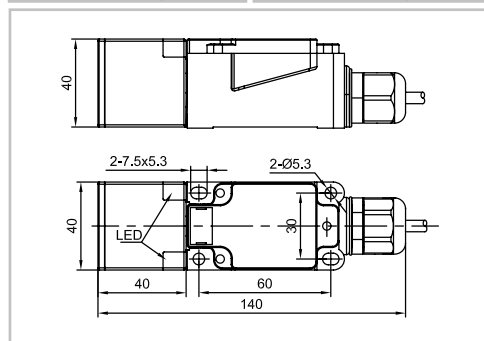
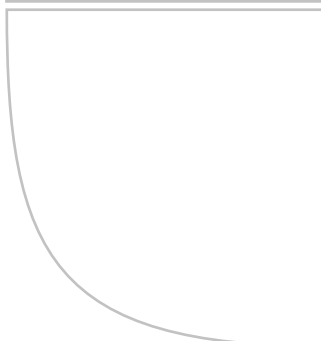
输出方式	NPN NO	LE40SZSF15DNOW1-E2	LE40SZSN20DNOW1-E2	LE40SZSF15ENOW1-E2	LE40SZSN20ENOW1-E2
	NPN NC	LE40SZSF15DNCW1-E2	LE40SZSN20DNCW1-E2	LE40SZSF15ENCW1-E2	LE40SZSN20ENCW1-E2
	NPN NO+NC	LE40SZSF15DNRW1-E2	LE40SZSN20DNRW1-E2	LE40SZSF15ENRW1-E2	LE40SZSN20ENRW1-E2
输出方式	PNP NO	LE40SZSF15DPOW1-E2	LE40SZSN20DPOW1-E2	LE40SZSF15EPOW1-E2	LE40SZSN20EPOW1-E2
	PNP NC	LE40SZSF15DPCW1-E2	LE40SZSN20DPCW1-E2	LE40SZSF15EPCW1-E2	LE40SZSN20EPCW1-E2
	PNP NO+NC	LE40SZSF15DPRW1-E2	LE40SZSN20DPRW1-E2	LE40SZSF15EPRW1-E2	LE40SZSN20EPRW1-E2

技术参数					
电源电压	10...30 VDC	10...30 VDC	10...60 VDC	10...60 VDC	
开关点偏移	< ±10% Sr	< ±10% Sr	< ±10% Sr	< ±10% Sr	
负载电流	< 200mA	< 200mA	< 200mA	< 200mA	
压降	< 2.5V	< 2.5V	< 2.5V	< 2.5V	
消耗电流	< 15mA	< 15mA	< 15mA	< 15mA	
回差范围	1...20%	1...20%	1...20%	1...20%	
重复精度	< 3%	< 3%	< 3%	< 3%	
开关频率	300Hz	200Hz	300Hz	200Hz	
输出指示	黄色 LED	黄色 LED	黄色 LED	黄色 LED	
极性保护	yes	yes	yes	yes	
浪涌保护	yes	yes	yes	yes	
短路保护	yes	yes	yes	yes	
环境温度	-40...+70°C	-40...+70°C	-40...+70°C	-40...+70°C	
环境湿度	35...95%	35...95%	35...95%	35...95%	
防护等级	IP67	IP67	IP67	IP67	
外壳材料	PBT	PBT	PBT	PBT	
连接方式	M12 连接器	M12 连接器	M12 连接器	M12 连接器	
产品认证	CE U _L	CE U _L	CE U _L	CE U _L	



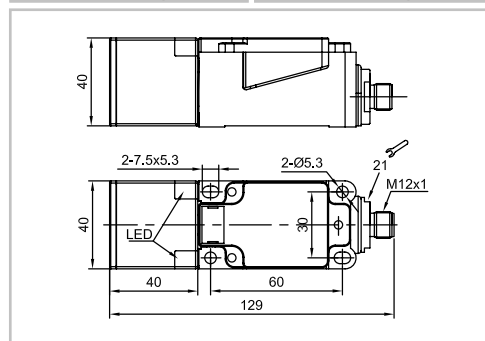
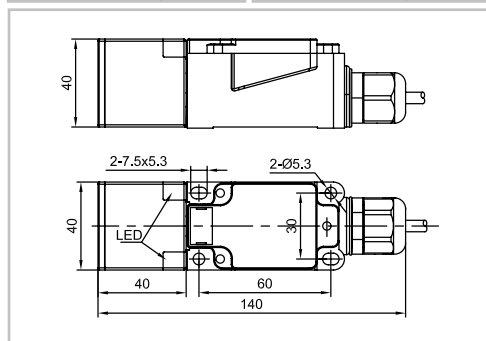
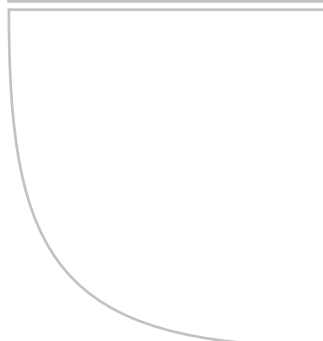
外形编号		LE40XZ		LE40XZ	
安装方式		● 埋入	⦿ 非埋	● 埋入	⦿ 非埋
检测距离		15mm	20mm	15mm	20mm
					
输出方式	NPN NO	LE40XZSF15DNOW1-D	LE40XZSN20DNOW1-D	LE40XZSF15DNOW1-E2	LE40XZSN20DNOW1-E2
	NPN NC	LE40XZSF15DNCW1-D	LE40XZSN20DNCW1-D	LE40XZSF15DNCW1-E2	LE40XZSN20DNCW1-E2
	NPN NO+NC	LE40XZSF15DNRW1-D	LE40XZSN20DNRW1-D	LE40XZSF15DNRW1-E2	LE40XZSN20DNRW1-E2
输出方式	PNP NO	LE40XZSF15DPOW1-D	LE40XZSN20DPOW1-D	LE40XZSF15DPOW1-E2	LE40XZSN20DPOW1-E2
	PNP NC	LE40XZSF15DPCW1-D	LE40XZSN20DPCW1-D	LE40XZSF15DPCW1-E2	LE40XZSN20DPCW1-E2
	PNP NO+NC	LE40XZSF15DPRW1-D	LE40XZSN20DPRW1-D	LE40XZSF15DPRW1-E2	LE40XZSN20DPRW1-E2

技术参数					
电源电压		10...30 VDC	10...30 VDC	10...30 VDC	10...30 VDC
开关点偏移		< ±10% Sr	< ±10% Sr	< ±10% Sr	< ±10% Sr
负载电流		< 200mA	< 200mA	< 200mA	< 200mA
压降		< 2.5V	< 2.5V	< 2.5V	< 2.5V
消耗电流		< 15mA	< 15mA	< 15mA	< 15mA
回差范围		1...20%	1...20%	1...20%	1...20%
重复精度		< 3%	< 3%	< 3%	< 3%
开关频率		300Hz	200Hz	300Hz	200Hz
输出指示		黄色 LED	黄色 LED	黄色 LED	黄色 LED
极性保护		yes	yes	yes	yes
浪涌保护		yes	yes	yes	yes
短路保护		yes	yes	yes	yes
环境温度		-40...+70°C	-40...+70°C	-40...+70°C	-40...+70°C
环境湿度		35...95%	35...95%	35...95%	35...95%
防护等级		IP67	IP67	IP67	IP67
外壳材料		PBT	PBT	PBT	PBT
连接方式		端子连接	端子连接	M12 连接器	M12 连接器
产品认证		CE U _L	CE U _L	CE U _L	CE U _L

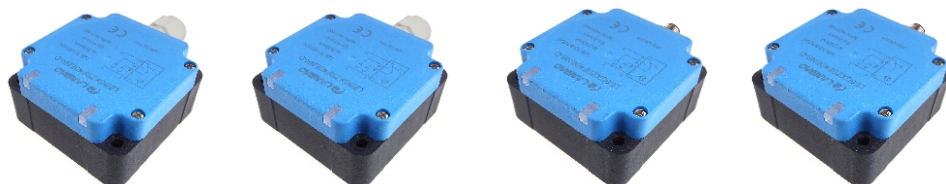


外形编号		LE40XZ		LE40XZ	
安装方式		● 埋入	○ 非埋	● 埋入	○ 非埋
检测距离		15mm	20mm	15mm	20mm
输出方式	NPN NO	LE40XZSF15ENOW1-D	LE40XZSN20ENOW1-D	LE40XZSF15ENOW1-E2	LE40XZSN20ENOW1-E2
	NPN NC	LE40XZSF15ENCW1-D	LE40XZSN20ENCW1-D	LE40XZSF15ENCW1-E2	LE40XZSN20ENCW1-E2
	NPN NO+NC	LE40XZSF15ENRW1-D	LE40XZSN20ENRW1-D	LE40XZSF15ENRW1-E2	LE40XZSN20ENRW1-E2
输出方式	PNP NO	LE40XZSF15EPOW1-D	LE40XZSN20EPOW1-D	LE40XZSF15EPOW1-E2	LE40XZSN20EPOW1-E2
	PNP NC	LE40XZSF15EPCW1-D	LE40XZSN20EPCW1-D	LE40XZSF15EPCW1-E2	LE40XZSN20EPCW1-E2
	PNP NO+NC	LE40XZSF15EPRW1-D	LE40XZSN20EPRW1-D	LE40XZSF15EPRW1-E2	LE40XZSN20EPRW1-E2

技术参数					
电源电压		10...60 VDC	10...60 VDC	10...60 VDC	10...60 VDC
开关点偏移		< ±10% Sr	< ±10% Sr	< ±10% Sr	< ±10% Sr
负载电流		< 200mA	< 200mA	< 200mA	< 200mA
压降		< 2.5V	< 2.5V	< 2.5V	< 2.5V
消耗电流		< 15mA	< 15mA	< 15mA	< 15mA
回差范围		1...20%	1...20%	1...20%	1...20%
重复精度		< 3%	< 3%	< 3%	< 3%
开关频率		300Hz	200Hz	300Hz	200Hz
输出指示		黄色 LED	黄色 LED	黄色 LED	黄色 LED
极性保护		yes	yes	yes	yes
浪涌保护		yes	yes	yes	yes
短路保护		yes	yes	yes	yes
环境温度		-40...+70°C	-40...+70°C	-40...+70°C	-40...+70°C
环境湿度		35...95%	35...95%	35...95%	35...95%
防护等级		IP67	IP67	IP67	IP67
外壳材料		PBT	PBT	PBT	PBT
连接方式		端子连接	端子连接	M12 连接器	M12 连接器
产品认证		CE U _L	CE U _L	CE U _L	CE U _L

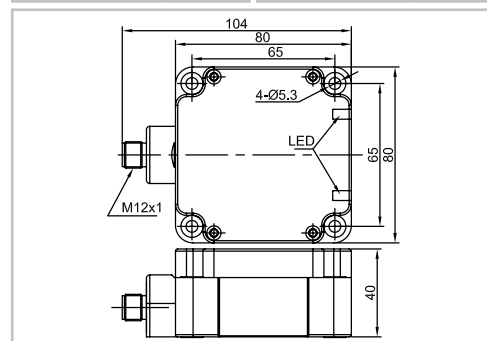
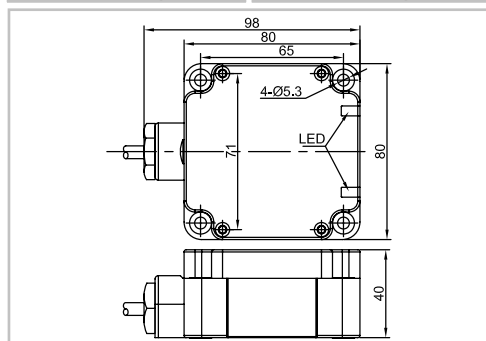
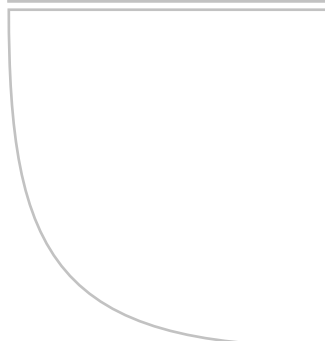


外形编号	LE80XZ		LE80XZ	
安装方式	● 埋入	⦿ 非埋	● 埋入	⦿ 非埋
检测距离	40mm	50mm	40mm	50mm

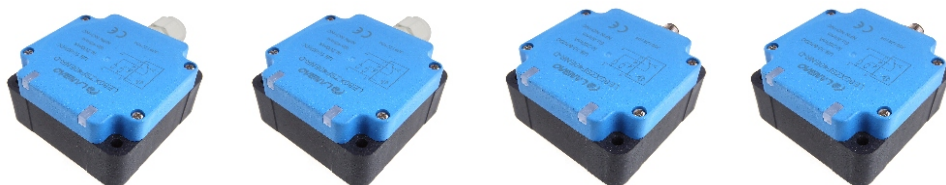


输出方式	NPN NO	LE80XZSF40DNOW1-D	LE80XZSN50DNOW1-D	LE80XZSF40DNOW1-E2	LE80XZSN50DNOW1-E2
	NPN NC	LE80XZSF40DNCW1-D	LE80XZSN50DNCW1-D	LE80XZSF40DNCW1-E2	LE80XZSN50DNCW1-E2
	NPN NO+NC	LE80XZSF40DNRW1-D	LE80XZSN50DNRW1-D	LE80XZSF40DNRW1-E2	LE80XZSN50DNRW1-E2
输出方式	PNP NO	LE80XZSF40DPOW1-D	LE80XZSN50DPOW1-D	LE80XZSF40DPOW1-E2	LE80XZSN50DPOW1-E2
	PNP NC	LE80XZSF40DPCW1-D	LE80XZSN50DPCW1-D	LE80XZSF40DPCW1-E2	LE80XZSN50DPCW1-E2
	PNP NO+NC	LE80XZSF40DPRW1-D	LE80XZSN50DPRW1-D	LE80XZSF40DPRW1-E2	LE80XZSN50DPRW1-E2

技术参数					
电源电压	10...30 VDC	10...30 VDC	10...30 VDC	10...30 VDC	10...30 VDC
开关点偏移	< ±10% Sr	< ±10% Sr	< ±10% Sr	< ±10% Sr	< ±10% Sr
负载电流	<200mA	<200mA	<200mA	<200mA	<200mA
压降	<2.5V	<2.5V	<2.5V	<2.5V	<2.5V
消耗电流	<15mA	<15mA	<15mA	<15mA	<15mA
回差范围	1...20%	1...20%	1...20%	1...20%	1...20%
重复精度	<3%	<3%	<3%	<3%	<3%
开关频率	100Hz	50Hz	100Hz	50Hz	50Hz
输出指示	黄色 LED	黄色 LED	黄色 LED	黄色 LED	黄色 LED
极性保护	yes	yes	yes	yes	yes
浪涌保护	yes	yes	yes	yes	yes
短路保护	yes	yes	yes	yes	yes
环境温度	-40...+70°C	-40...+70°C	-40...+70°C	-40...+70°C	-40...+70°C
环境湿度	35...95%	35...95%	35...95%	35...95%	35...95%
防护等级	IP67	IP67	IP67	IP67	IP67
外壳材料	PBT	PBT	PBT	PBT	PBT
连接方式	端子连接	端子连接	M12 连接器	M12 连接器	M12 连接器
产品认证	CE U _L	CE U _L	CE U _L	CE U _L	CE U _L

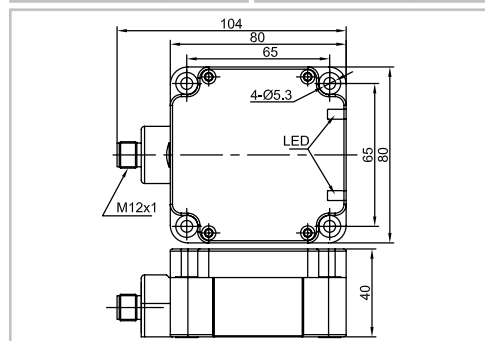
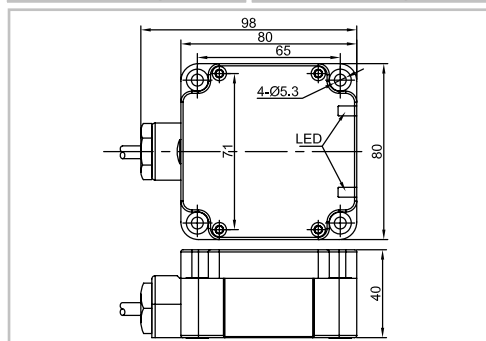
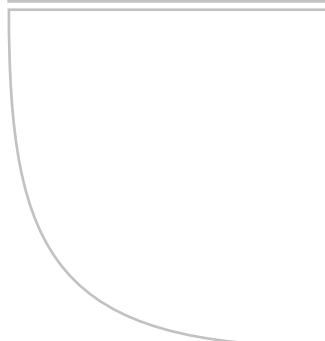


外形编号	LE80XZ		LE80XZ	
安装方式	● 埋入	⦿ 非埋	● 埋入	⦿ 非埋
检测距离	40mm	50mm	40mm	50mm



输出方式	NPN NO	LE80XZSF40ENOW1-D	LE80XZSN50ENOW1-D	LE80XZSF40ENOW1-E2	LE80XZSN50ENOW1-E2
	NPN NC	LE80XZSF40ENCW1-D	LE80XZSN50ENCW1-D	LE80XZSF40ENCW1-E2	LE80XZSN50ENCW1-E2
	NPN NO+NC	LE80XZSF40ENRW1-D	LE80XZSN50ENRW1-D	LE80XZSF40ENRW1-E2	LE80XZSN50ENRW1-E2
输出方式	PNP NO	LE80XZSF40EPOW1-D	LE80XZSN50EPOW1-D	LE80XZSF40EPOW1-E2	LE80XZSN50EPOW1-E2
	PNP NC	LE80XZSF40EPCW1-D	LE80XZSN50EPCW1-D	LE80XZSF40EPCW1-E2	LE80XZSN50EPCW1-E2
	PNP NO+NC	LE80XZSF40EPRW1-D	LE80XZSN50EPRW1-D	LE80XZSF40EPRW1-E2	LE80XZSN50EPRW1-E2

技术参数					
电源电压	10...60 VDC	10...60 VDC	10...60 VDC	10...60 VDC	10...60 VDC
开关点偏移	< ±10% Sr	< ±10% Sr	< ±10% Sr	< ±10% Sr	< ±10% Sr
负载电流	< 200mA	< 200mA	< 200mA	< 200mA	< 200mA
压降	< 2.5V	< 2.5V	< 2.5V	< 2.5V	< 2.5V
消耗电流	< 15mA	< 15mA	< 15mA	< 15mA	< 15mA
回差范围	1...20%	1...20%	1...20%	1...20%	1...20%
重复精度	< 3%	< 3%	< 3%	< 3%	< 3%
开关频率	100Hz	50Hz	100Hz	50Hz	50Hz
输出指示	黄色 LED	黄色 LED	黄色 LED	黄色 LED	黄色 LED
极性保护	yes	yes	yes	yes	yes
浪涌保护	yes	yes	yes	yes	yes
短路保护	yes	yes	yes	yes	yes
环境温度	-40...+70°C	-40...+70°C	-40...+70°C	-40...+70°C	-40...+70°C
环境湿度	35...95%	35...95%	35...95%	35...95%	35...95%
防护等级	IP67	IP67	IP67	IP67	IP67
外壳材料	PBT	PBT	PBT	PBT	PBT
连接方式	端子连接	端子连接	M12 连接器	M12 连接器	M12 连接器
产品认证	CE U _L	CE U _L	CE U _L	CE U _L	CE U _L

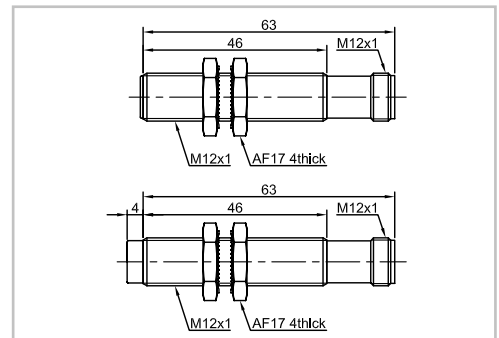
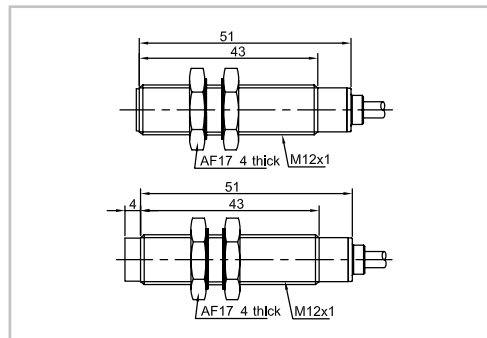
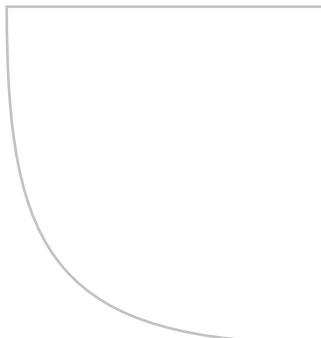


外形编号	LR12X		LR12X	
安装方式	● 埋入	○ 非埋	● 埋入	○ 非埋
检测距离	2mm	4mm	2mm	4mm



输出方式	NPN NO	LR12XBFO2DNOW	LR12XBN04DNOW	LR12XBFO2DNOW-E2	LR12XBN04DNOW-E2
	NPN NC	LR12XBFO2DNCW	LR12XBN04DNCW	LR12XBFO2DNCW-E2	LR12XBN04DNCW-E2
输出方式	PNP NO	LR12XBFO2DPOW	LR12XBN04DPOW	LR12XBFO2DPOW-E2	LR12XBN04DPOW-E2
	PNP NC	LR12XBFO2DPCW	LR12XBN04DPCW	LR12XBFO2DPCW-E2	LR12XBN04DPCW-E2

技术参数					
电源电压	10...30 VDC	10...30 VDC	10...30 VDC	10...30 VDC	10...30 VDC
开关点偏移	< ±10% Sr	< ±10% Sr	< ±10% Sr	< ±10% Sr	< ±10% Sr
负载电流	<100mA	<100mA	<100mA	<100mA	<100mA
压降	<2.5V	<2.5V	<2.5V	<2.5V	<2.5V
消耗电流	<15mA	<15mA	<15mA	<15mA	<15mA
回差范围	1...20%	1...20%	1...20%	1...20%	1...20%
重复精度	<5%	<5%	<5%	<5%	<5%
开关频率	1500Hz	1000Hz	1500Hz	1000Hz	1000Hz
输出指示
极性保护	yes	yes	yes	yes	yes
浪涌保护	yes	yes	yes	yes	yes
短路保护
环境温度	-25...+120°C	-25...+120°C	-25...+120°C	-25...+120°C	-25...+120°C
环境湿度	35...95%	35...95%	35...95%	35...95%	35...95%
防护等级	IP67	IP67	IP67	IP67	IP67
外壳材料	镍铜合金	镍铜合金	镍铜合金	镍铜合金	镍铜合金
连接方式	2m 硅胶电缆	2m 硅胶电缆	M12 连接器	M12 连接器	M12 连接器
产品认证	CE U _L	CE U _L	CE U _L	CE U _L	CE U _L

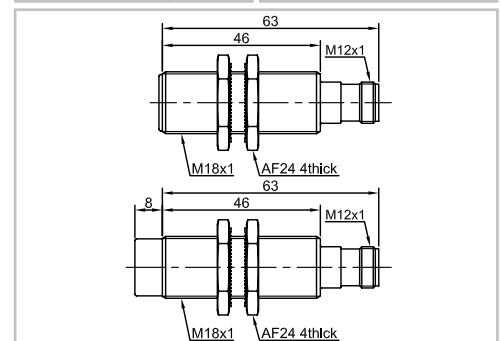
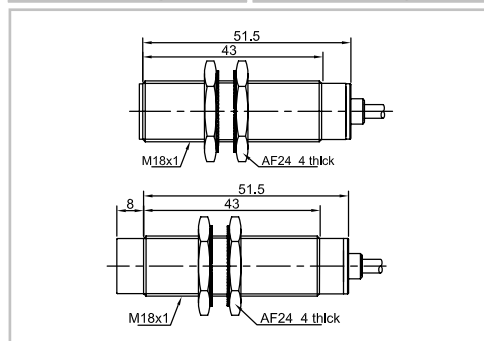
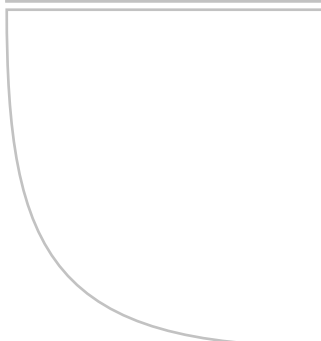


外形编号	LR18X		LR18X	
安装方式	● 埋入	○ 非埋	● 埋入	○ 非埋
检测距离	5mm	8mm	5mm	8mm



输出方式	NPN NO	LR18XBFO5DNOW	LR18XBN08DNOW	LR18XBFO5DNOW-E2	LR18XBN08DNOW-E2
	NPN NC	LR18XBFO5DNCW	LR18XBN08DNCW	LR18XBFO5DNCW-E2	LR18XBN08DNCW-E2
输出方式	PNP NO	LR18XBFO5DPOW	LR18XBN08DPOW	LR18XBFO5DPOW-E2	LR18XBN08DPOW-E2
	PNP NC	LR18XBFO5DPCW	LR18XBN08DPCW	LR18XBFO5DPCW-E2	LR18XBN08DPCW-E2

技术参数					
电源电压	10...30 VDC	10...30 VDC	10...30 VDC	10...30 VDC	10...30 VDC
开关点偏移	< ±10% Sr	< ±10% Sr	< ±10% Sr	< ±10% Sr	< ±10% Sr
负载电流	<100mA	<100mA	<100mA	<100mA	<100mA
压降	<2.5V	<2.5V	<2.5V	<2.5V	<2.5V
消耗电流	<15mA	<15mA	<15mA	<15mA	<15mA
回差范围	1...20%	1...20%	1...20%	1...20%	1...20%
重复精度	<5%	<5%	<5%	<5%	<5%
开关频率	1000Hz	800Hz	1000Hz	800Hz	800Hz
输出指示
极性保护	yes	yes	yes	yes	yes
浪涌保护	yes	yes	yes	yes	yes
短路保护
环境温度	-25...+120°C	-25...+120°C	-25...+120°C	-25...+120°C	-25...+120°C
环境湿度	35...95%	35...95%	35...95%	35...95%	35...95%
防护等级	IP67	IP67	IP67	IP67	IP67
外壳材料	镍铜合金	镍铜合金	镍铜合金	镍铜合金	镍铜合金
连接方式	2m 硅胶电缆	2m 硅胶电缆	M12 连接器	M12 连接器	M12 连接器
产品认证	CE U _L	CE U _L	CE U _L	CE U _L	CE U _L



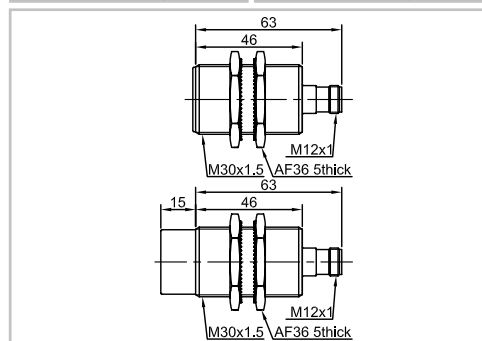
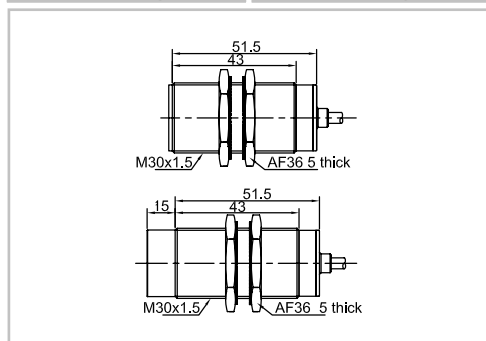
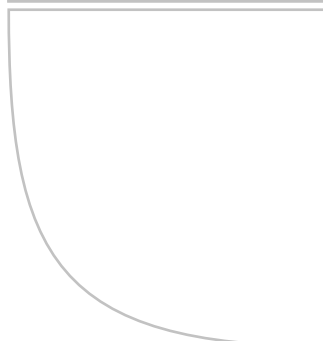
外形编号	LR30X		LR30X	
安装方式	● 埋入	○ 非埋	● 埋入	○ 非埋
检测距离	10mm	15mm	10mm	15mm



输出方式	NPN NO	LR30XBF10DNO	LR30XBN15DNO	LR30XBF10DNO-E2	LR30XBN15DNO-E2
	NPN NC	LR30XBF10DNCW	LR30XBN15DNCW	LR30XBF10DNCW-E2	LR30XBN15DNCW-E2
输出方式	PNP NO	LR30XBF10DPO	LR30XBN15DPO	LR30XBF10DPO-E2	LR30XBN15DPO-E2
	PNP NC	LR30XBF10DPCW	LR30XBN15DPCW	LR30XBF10DPCW-E2	LR30XBN15DPCW-E2

技术参数

电源电压	10...30 VDC	10...30 VDC	10...30 VDC	10...30 VDC
开关点偏移	< ±10% Sr	< ±10% Sr	< ±10% Sr	< ±10% Sr
负载电流	<100mA	<100mA	<100mA	<100mA
压降	<2.5V	<2.5V	<2.5V	<2.5V
消耗电流	<15mA	<15mA	<15mA	<15mA
回差范围	1...20%	1...20%	1...20%	1...20%
重复精度	<5%	<5%	<5%	<5%
开关频率	500Hz	300Hz	500Hz	300Hz
输出指示
极性保护	yes	yes	yes	yes
浪涌保护	yes	yes	yes	yes
短路保护
环境温度	-25...+120°C	-25...+120°C	-25...+120°C	-25...+120°C
环境湿度	35...95%	35...95%	35...95%	35...95%
防护等级	IP67	IP67	IP67	IP67
外壳材料	镍铜合金	镍铜合金	镍铜合金	镍铜合金
连接方式	2m 硅胶电缆	2m 硅胶电缆	M12 连接器	M12 连接器
产品认证	CE U _L	CE U _L	CE U _L	CE U _L

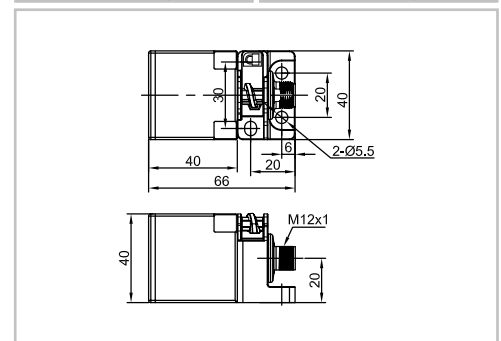
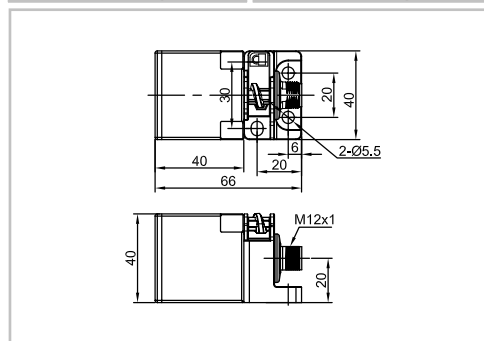
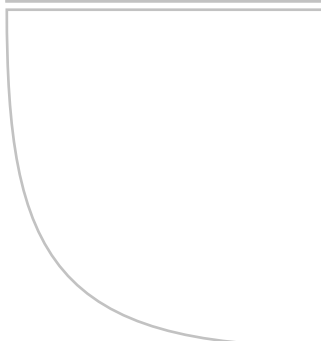






外形编号	LE40SZ		LE40SZ	
安装方式	● 埋入	○ 非埋	● 埋入	○ 非埋
检测距离	15mm	20mm	15mm	20mm



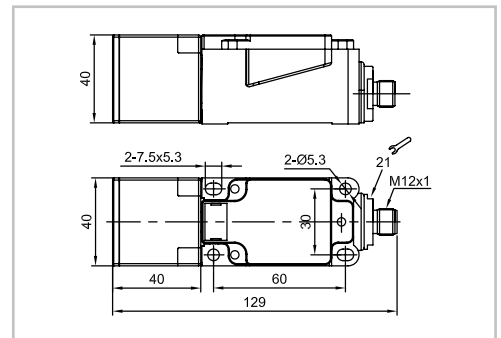
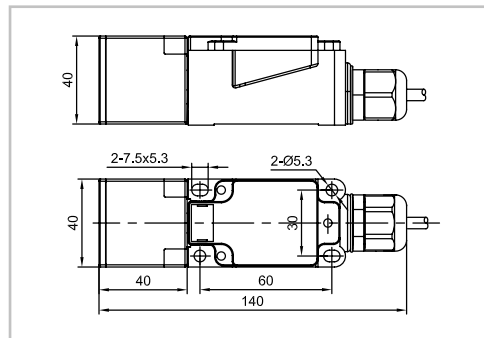
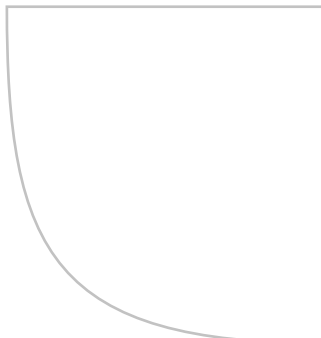
输出方式	NPN NO	LE40SZSF15DNOW2-E2	LE40SZSN20DNOW2-E2	LE40SZSF15ENOW2-E2	LE40SZSN20ENOW2-E2
	NPN NC	LE40SZSF15DNCW2-E2	LE40SZSN20DNCW2-E2	LE40SZSF15ENCW2-E2	LE40SZSN20ENCW2-E2
	NPN NO+NC	LE40SZSF15DNRW2-E2	LE40SZSN20DNRW2-E2	LE40SZSF15ENRW2-E2	LE40SZSN20ENRW2-E2
输出方式	PNP NO	LE40SZSF15DPOW2-E2	LE40SZSN20DPOW2-E2	LE40SZSF15EPOW2-E2	LE40SZSN20EPOW2-E2
	PNP NC	LE40SZSF15DPCW2-E2	LE40SZSN20DPCW2-E2	LE40SZSF15EPCW2-E2	LE40SZSN20EPCW2-E2
	PNP NO+NC	LE40SZSF15DPRW2-E2	LE40SZSN20DPRW2-E2	LE40SZSF15EPRW2-E2	LE40SZSN20EPRW2-E2

技术参数					
电源电压	10...30 VDC	10...30 VDC	10...60 VDC	10...60 VDC	
开关点偏移	< ±10% Sr	< ±10% Sr	< ±10% Sr	< ±10% Sr	
负载电流	<150mA	<150mA	<150mA	<150mA	
压降	<2.5V	<2.5V	<2.5V	<2.5V	
消耗电流	<15mA	<15mA	<15mA	<15mA	
回差范围	1...20%	1...20%	1...20%	1...20%	
重复精度	<5%	<5%	<5%	<5%	
开关频率	300Hz	200Hz	300Hz	200Hz	
输出指示	
极性保护	yes	yes	yes	yes	
浪涌保护	yes	yes	yes	yes	
短路保护	
环境温度	-25...+100°C	-25...+100°C	-25...+100°C	-25...+100°C	
环境湿度	35...95%	35...95%	35...95%	35...95%	
防护等级	IP67	IP67	IP67	IP67	
外壳材料	PBT	PBT	PBT	PBT	
连接方式	M12 连接器	M12 连接器	M12 连接器	M12 连接器	
产品认证	CE U _L	CE U _L	CE U _L	CE U _L	



外形编号		LE40XZ		LE40XZ	
安装方式		● 埋入	○ 非埋	● 埋入	○ 非埋
检测距离		15mm	20mm	15mm	20mm
					
输出方式	NPN NO	LE40XZSF15DNOW2-D	LE40XZSN20DNOW2-D	LE40XZSF15DNOW2-E2	LE40XZSN20DNOW2-E2
	NPN NC	LE40XZSF15DNCW2-D	LE40XZSN20DNCW2-D	LE40XZSF15DNCW2-E2	LE40XZSN20DNCW2-E2
	NPN NO+NC	LE40XZSF15DNRW2-D	LE40XZSN20DNRW2-D	LE40XZSF15DNW2R-E2	LE40XZSN20DNRW2-E2
输出方式	PNP NO	LE40XZSF15DPOW2-D	LE40XZSN20DPOW2-D	LE40XZSF15DPOW2-E2	LE40XZSN20DPOW2-E2
	PNP NC	LE40XZSF15DPCW2-D	LE40XZSN20DPCW2-D	LE40XZSF15DPCW2-E2	LE40XZSN20DPCW2-E2
	PNP NO+NC	LE40XZSF15DPRW2-D	LE40XZSN20DPRW2-D	LE40XZSF15DPRW2-E2	LE40XZSN20DPRW2-E2

技术参数					
电源电压	10...30 VDC	10...30 VDC	10...30 VDC	10...30 VDC	10...30 VDC
开关点偏移	< ±10% Sr	< ±10% Sr	< ±10% Sr	< ±10% Sr	< ±10% Sr
负载电流	<150mA	<150mA	<150mA	<150mA	<150mA
压降	<2.5V	<2.5V	<2.5V	<2.5V	<2.5V
消耗电流	<15mA	<15mA	<15mA	<15mA	<15mA
回差范围	1...20%	1...20%	1...20%	1...20%	1...20%
重复精度	<5%	<5%	<5%	<5%	<5%
开关频率	300Hz	200Hz	300Hz	200Hz	200Hz
输出指示
极性保护	yes	yes	yes	yes	yes
浪涌保护	yes	yes	yes	yes	yes
短路保护
环境温度	-25...+100°C	-25...+100°C	-25...+100°C	-25...+100°C	-25...+100°C
环境湿度	35...95%	35...95%	35...95%	35...95%	35...95%
防护等级	IP67	IP67	IP67	IP67	IP67
外壳材料	PBT	PBT	PBT	PBT	PBT
连接方式	端子连接	端子连接	M12 连接器	M12 连接器	M12 连接器
产品认证	CE U _L	CE U _L	CE U _L	CE U _L	CE U _L

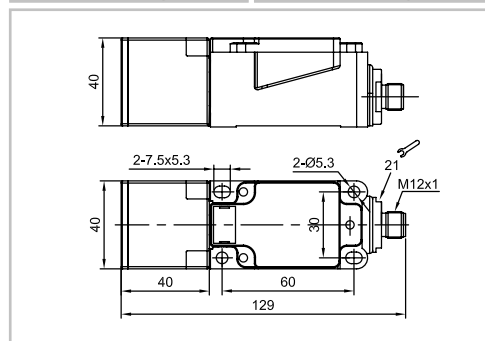
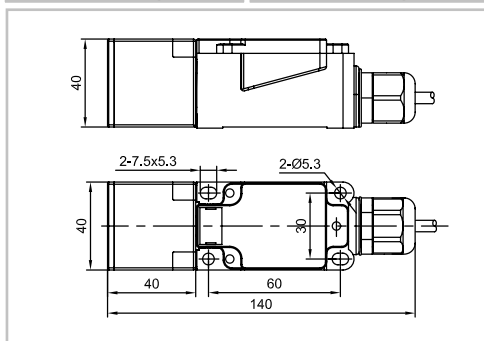
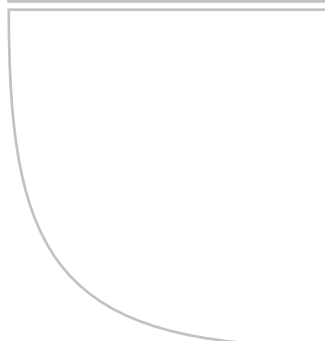


外形编号	LE40XZ		LE40XZ	
安装方式	● 埋入	⦿ 非埋	● 埋入	⦿ 非埋
检测距离	15mm	20mm	15mm	20mm



输出方式	NPN NO	LE40XZSF15ENOW2-D	LE40XZSN20ENOW2-D	LE40XZSF15ENOW2-E2	LE40XZSN20ENOW2-E2
	NPN NC	LE40XZSF15ENCW2-D	LE40XZSN20ENCW2-D	LE40XZSF15ENCW2-E2	LE40XZSN20ENCW2-E2
	NPN NO+NC	LE40XZSF15ENRW2-D	LE40XZSN20ENRW2-D	LE40XZSF15ENRW2-E2	LE40XZSN20ENRW2-E2
输出方式	PNP NO	LE40XZSF15EPOW2-D	LE40XZSN20EPOW2-D	LE40XZSF15EPOW2-E2	LE40XZSN20EPOW2-E2
	PNP NC	LE40XZSF15EPCW2-D	LE40XZSN20EPCW2-D	LE40XZSF15EPCW2-E2	LE40XZSN20EPCW2-E2
	PNP NO+NC	LE40XZSF15EPRW2-D	LE40XZSN20EPRW2-D	LE40XZSF15EPRW2-E2	LE40XZSN20EPRW2-E2

技术参数					
电源电压	10...60 VDC	10...60 VDC	10...60 VDC	10...60 VDC	10...60 VDC
开关点偏移	< ±10% Sr	< ±10% Sr	< ±10% Sr	< ±10% Sr	< ±10% Sr
负载电流	<150mA	<150mA	<150mA	<150mA	<150mA
压降	<2.5V	<2.5V	<2.5V	<2.5V	<2.5V
消耗电流	<15mA	<15mA	<15mA	<15mA	<15mA
回差范围	1...20%	1...20%	1...20%	1...20%	1...20%
重复精度	<5%	<5%	<5%	<5%	<5%
开关频率	300Hz	200Hz	300Hz	200Hz	200Hz
输出指示
极性保护	yes	yes	yes	yes	yes
浪涌保护	yes	yes	yes	yes	yes
短路保护
环境温度	-25...+100°C	-25...+100°C	-25...+100°C	-25...+100°C	-25...+100°C
环境湿度	35...95%	35...95%	35...95%	35...95%	35...95%
防护等级	IP67	IP67	IP67	IP67	IP67
外壳材料	PBT	PBT	PBT	PBT	PBT
连接方式	端子连接	端子连接	M12 连接器	M12 连接器	M12 连接器
产品认证	CE U _L	CE U _L	CE U _L	CE U _L	CE U _L

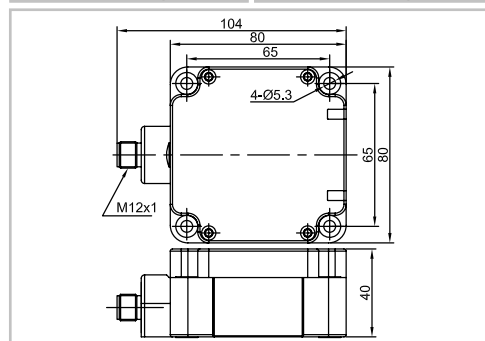
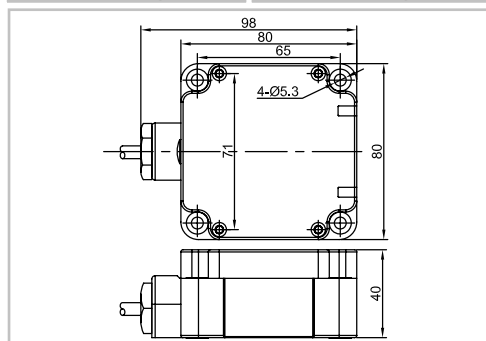
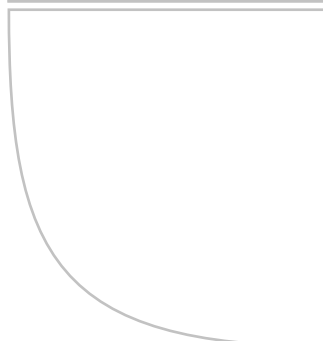


外形编号	LE80XZ		LE80XZ	
安装方式	● 埋入	○ 非埋	● 埋入	○ 非埋
检测距离	40mm	50mm	40mm	50mm



输出方式	NPN NO	LE80XZSF40DNEW2-D	LE80XZSN50DNEW2-D	LE80XZSF40DNEW2-E2	LE80XZSN50DNEW2-E2
	NPN NC	LE80XZSF40DNCW2-D	LE80XZSN50DNCW2-D	LE80XZSF40DNCW2-E2	LE80XZSN50DNCW2-E2
	NPN NO+NC	LE80XZSF40DNRW2-D	LE80XZSN50DNRW2-D	LE80XZSF40DNRW2-E2	LE80XZSN50DNRW2-E2
输出方式	PNP NO	LE80XZSF40DPOW2-D	LE80XZSN50DPOW2-D	LE80XZSF40DPOW2-E2	LE80XZSN50DPOW2-E2
	PNP NC	LE80XZSF40DPCW2-D	LE80XZSN50DPCW2-D	LE80XZSF40DPCW2-E2	LE80XZSN50DPCW2-E2
	PNP NO+NC	LE80XZSF40DPRW2-D	LE80XZSN50DPRW2-D	LE80XZSF40DPRW2-E2	LE80XZSN50DPRW2-E2

技术参数					
电源电压	10...30 VDC	10...30 VDC	10...30 VDC	10...30 VDC	10...30 VDC
开关点偏移	< ±10% Sr	< ±10% Sr	< ±10% Sr	< ±10% Sr	< ±10% Sr
负载电流	<150mA	<150mA	<150mA	<150mA	<150mA
压降	<2.5V	<2.5V	<2.5V	<2.5V	<2.5V
消耗电流	<15mA	<15mA	<15mA	<15mA	<15mA
回差范围	1...20%	1...20%	1...20%	1...20%	1...20%
重复精度	<5%	<5%	<5%	<5%	<5%
开关频率	100Hz	50Hz	100Hz	50Hz	50Hz
输出指示
极性保护	yes	yes	yes	yes	yes
浪涌保护	yes	yes	yes	yes	yes
短路保护
环境温度	-25...+100°C	-25...+100°C	-25...+100°C	-25...+100°C	-25...+100°C
环境湿度	35...95%	35...95%	35...95%	35...95%	35...95%
防护等级	IP67	IP67	IP67	IP67	IP67
外壳材料	PBT	PBT	PBT	PBT	PBT
连接方式	端子连接	端子连接	M12 连接器	M12 连接器	M12 连接器
产品认证	CE U _L	CE U _L	CE U _L	CE U _L	CE U _L

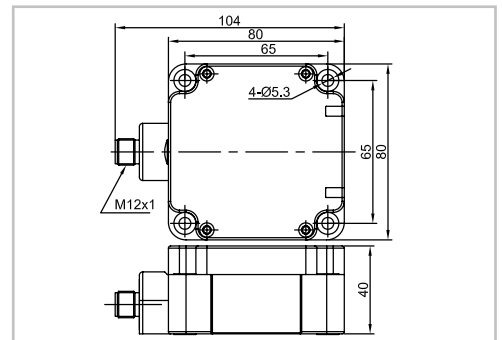
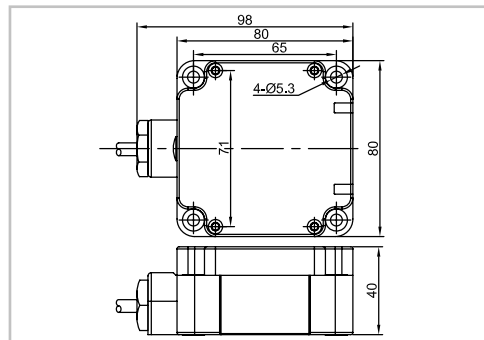
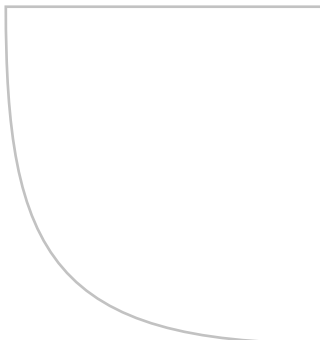


外形编号	LE80XZ		LE80XZ	
安装方式	● 埋入	⦿ 非埋	● 埋入	⦿ 非埋
检测距离	40mm	50mm	40mm	50mm



输出方式	NPN NO	LE80XZSF40ENOW2-D	LE80XZSN50ENOW2-D	LE80XZSF40ENOW2-E2	LE80XZSN50ENOW2-E2
	NPN NC	LE80XZSF40ENCW2-D	LE80XZSN50ENCW2-D	LE80XZSF40ENCW2-E2	LE80XZSN50ENCW2-E2
	NPN NO+NC	LE80XZSF40ENRW2-D	LE80XZSN50ENRW2-D	LE80XZSF40ENRW2-E2	LE80XZSN50ENRW2-E2
输出方式	PNP NO	LE80XZSF40EPOW2-D	LE80XZSN50EPOW2-D	LE80XZSF40EPOW2-E2	LE80XZSN50EPOW2-E2
	PNP NC	LE80XZSF40EPCW2-D	LE80XZSN50EPCW2-D	LE80XZSF40EPCW2-E2	LE80XZSN50EPCW2-E2
	PNP NO+NC	LE80XZSF40EPRW2-D	LE80XZSN50EPRW2-D	LE80XZSF40EPRW2-E2	LE80XZSN50EPRW2-E2

技术参数					
电源电压	10...60 VDC	10...60 VDC	10...60 VDC	10...60 VDC	10...60 VDC
开关点偏移	< ±10% Sr	< ±10% Sr	< ±10% Sr	< ±10% Sr	< ±10% Sr
负载电流	<150mA	<150mA	<150mA	<150mA	<150mA
压降	<2.5V	<2.5V	<2.5V	<2.5V	<2.5V
消耗电流	<15mA	<15mA	<15mA	<15mA	<15mA
回差范围	1...20%	1...20%	1...20%	1...20%	1...20%
重复精度	<5%	<5%	<5%	<5%	<5%
开关频率	100Hz	50Hz	100Hz	50Hz	50Hz
输出指示
极性保护	yes	yes	yes	yes	yes
浪涌保护	yes	yes	yes	yes	yes
短路保护
环境温度	-25...+100°C	-25...+100°C	-25...+100°C	-25...+100°C	-25...+100°C
环境湿度	35...95%	35...95%	35...95%	35...95%	35...95%
防护等级	IP67	IP67	IP67	IP67	IP67
外壳材料	PBT	PBT	PBT	PBT	PBT
连接方式	端子连接	端子连接	M12 连接器	M12 连接器	M12 连接器
产品认证	CE U _L	CE U _L	CE U _L	CE U _L	CE U _L



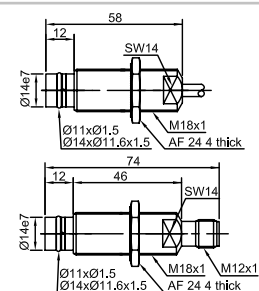
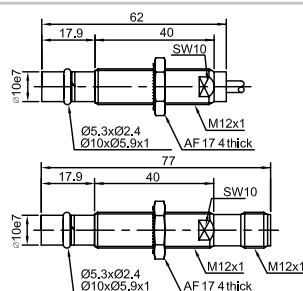
Item Code	LR12X		LR18X	
Mounting	● Flushed	● Flushed	● Flushed	● Flushed
Sensing distance	1.5mm	1.5mm	2mm	2mm



Output	NPN NO	LR12XBF15DNOB	LR12XBF15DNOB-E2	LR18XBF02DNOB	LR18XBF02DNOB-E2
	NPN NC	LR12XBF15DNCB	LR12XBF15DNCB-E2	LR18XBF02DNCB	LR18XBF02DNCB-E2
Output	PNP NO	LR12XBF15DPOB	LR12XBF15DPOB-E2	LR18XBF02DPOB	LR18XBF02DPOB-E2
	PNP NC	LR12XBF15DPCB	LR12XBF15DPCB-E2	LR18XBF02DPCB	LR18XBF02DPCB-E2

Technical Parameter				
Supply voltage	10...30 VDC	10...30 VDC	10...30 VDC	10...30 VDC
Switch point drift	<±15% Sr	<±15% Sr	<±15% Sr	<±15% Sr
Load current	<100mA	<100mA	<100mA	<100mA
Voltage drop	<2.5V	<2.5V	<2.5V	<2.5V
Consumption current	<15mA	<15mA	<15mA	<15mA
Hysteresis	1...20%	1...20%	1...20%	1...20%
Repeat accuracy	<5%	<5%	<5%	<5%
Frequency	600Hz	600Hz	200Hz	200Hz
Output indicator
Polarity protection	yes	yes	yes	yes
Surge protection	yes	yes	yes	yes
Short-circuit protection	yes	yes	yes	yes
Withstand	500bar	500bar	500bar	500bar
Ambient temperature	-25...+80°C	-25...+80°C	-25...+80°C	-25...+80°C
Ambient moisture	35...95%	35...95%	35...95%	35...95%
Protection degree	IP68	IP68	IP68	IP68
Housing material	Stainless steel	Stainless steel	Stainless steel	Stainless steel
Connection	2m PUR Cable	M12 Connector	2m PUR Cable	M12 Connector
Certification	CE U	CE U	CE U	CE U

* Cable material and length can be customized



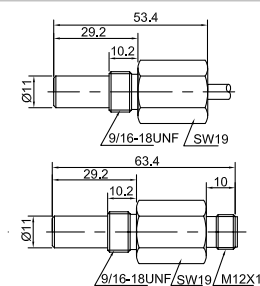
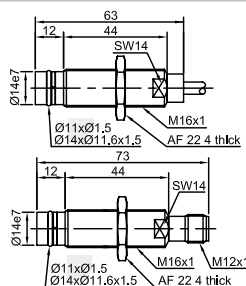
Item Code	LR16X		LR14X	
Mounting	● Flushed	● Flushed	● Flushed	● Flushed
Sensing distance	2mm	2mm	1.5mm	1.5mm



Output	NPN NO	LR16XBF02DNOB	LR16XBF02DNOB-E2	LR14XBF15DNOB	LR14XBF15DNOB-E2
	NPN NC	LR16XBF02DNCB	LR16XBF02DNCB-E2	LR14XBF15DNCB	LR14XBF15DNCB-E2
Output	PNP NO	LR16XBF02DPOB	LR16XBF02DPOB-E2	LR14XBF15DPOB	LR14XBF15DPOB-E2
	PNP NC	LR16XBF02DPCB	LR16XBF02DPCB-E2	LR14XBF15DPCB	LR14XBF15DPCB-E2

Technical Parameter				
Supply voltage	10...30 VDC	10...30 VDC	10...30 VDC	10...30 VDC
Switch point drift	< ±15% Sr	< ±15% Sr	< ±15% Sr	< ±15% Sr
Load current	<100mA	<100mA	<100mA	<100mA
Voltage drop	<2.5V	<2.5V	<2.5V	<2.5V
Consumption current	<15mA	<15mA	<15mA	<15mA
Hysteresis	1...20%	1...20%	1...20%	1...20%
Repeat accuracy	<5%	<5%	<5%	<5%
Frequency	600Hz	600Hz	600Hz	600Hz
Output indicator
Polarity protection	yes	yes	yes	yes
Surge protection	yes	yes	yes	yes
Short-circuit protection	yes	yes	yes	yes
Withstand	500bar	500bar	500bar	500bar
Ambient temperature	-25...+80°C	-25...+80°C	-25...+80°C	-25...+80°C
Ambient moisture	35...95%	35...95%	35...95%	35...95%
Protection degree	IP68	IP68	IP68	IP68
Housing material	Stainless steel	Stainless steel	Stainless steel	Stainless steel
Connection	2m PUR Cable	M12 Connector	2m PUR Cable	M12 Connector
Certification	CE U _L	CE U _L	CE U _L	CE U _L

* Cable material and length can be customized



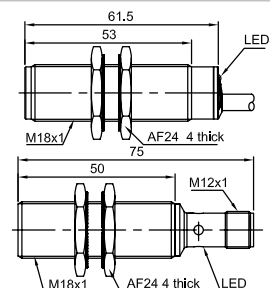
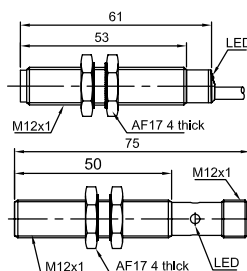
Item Code	LR12X		LR18X	
Mounting	● Flushed	● Flushed	● Flushed	● Flushed
Sensing distance	2mm	2mm	5mm	5mm



Output	NPN NO	LR12XCF02DNOQ	LR12XCF02DNOQ-E2	LR18XCF05DNOQ	LR18XCF05DNOQ-E2
	NPN NC	LR12XCF02DNCQ	LR12XCF02DNCQ-E2	LR18XCF05DNCQ	LR18XCF05DNCQ-E2
Output	PNP NO	LR12XCF02DPOQ	LR12XCF02DPOQ-E2	LR18XCF05DPOQ	LR18XCF05DPOQ-E2
	PNP NC	LR12XCF02DPCQ	LR12XCF02DPCQ-E2	LR18XCF05DPCQ	LR18XCF05DPCQ-E2

Technical Parameter				
Supply voltage	10...30 VDC	10...30 VDC	10...30 VDC	10...30 VDC
Switch point drift	< ±10% Sr	< ±10% Sr	< ±10% Sr	< ±10% Sr
Load current	<200mA	<200mA	<200mA	<200mA
Voltage drop	<2.5V	<2.5V	<2.5V	<2.5V
Consumption current	<15mA	<15mA	<15mA	<15mA
Hysteresis	1...20%	1...20%	1...20%	1...20%
Repeat accuracy	<3%	<3%	<3%	<3%
Frequency	300Hz	300Hz	200Hz	200Hz
Output indicator	Yellow LED	Yellow LED	Yellow LED	Yellow LED
Polarity protection	yes	yes	yes	yes
Surge protection	yes	yes	yes	yes
Short-circuit protection	yes	yes	yes	yes
Withstand	80bar	80bar	60bar	60bar
Ambient temperature	-25...+70°C	-25...+70°C	-25...+70°C	-25...+70°C
Ambient moisture	35...95%	35...95%	35...95%	35...95%
Protection degree	IP67	IP67	IP67	IP67
Housing material	Stainless steel	Stainless steel	Stainless steel	Stainless steel
Connection	2m PVC Cable	M12 Connector	2m PVC Cable	M12 Connector
Certification	CE U _L	CE U _L	CE U _L	CE U _L

* Cable material and length can be customized



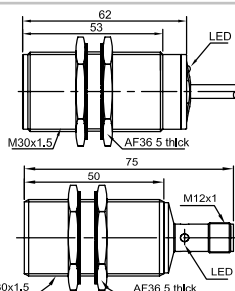
Item Code	LR30X	
Mounting	● Flushed	● Flushed
Sensing distance	10mm	10mm



Output	NPN NO	LR30XCF10DNOQ	LR30XCF10DNOQ-E2
	NPN NC	LR30XCF10DNCQ	LR30XCF10DNCQ-E2
Output	PNP NO	LR30XCF10DPOQ	LR30XCF10DPOQ-E2
	PNP NC	LR30XCF10DPCQ	LR30XCF10DPCQ-E2

Technical Parameter	
Supply voltage	10...30 VDC
Switch point drift	< ±10% Sr
Load current	<200mA
Voltage drop	<2.5V
Consumption current	<15mA
Hysteresis	1...20%
Repeat accuracy	<3%
Frequency	100Hz
Output indicator	Yellow LED
Polarity protection	yes
Surge protection	yes
Short-circuit protection	yes
Withstand	40bar
Ambient temperature	-25...+70°C
Ambient moisture	35...95%
Protection degree	IP67
Housing material	Stainless steel
Connection	2m PVC Cable / M12 Connector
Certification	CE U _i

* Cable material and length can be customized



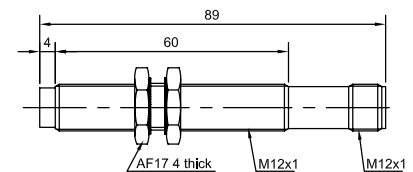
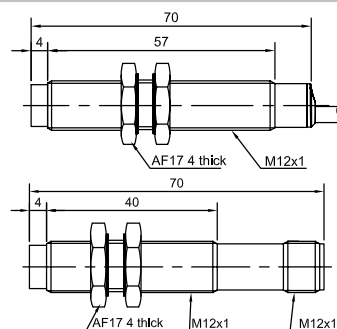
Item Code	LR12X		LR12X	
Mounting	● Non-flushed	● Non-flushed	● Non-flushed	
Sensing distance	3.7mm	3.7mm	3.7mm	



Output	PNP NO	LR12XCN37HPOZ	LR12XBN37HPOZ-E2	LR12XDN37HPOZ-E2
	PNP NC	LR12XCN37HPCZ	LR12XBN37HPCZ-E2	LR12XDN37HPCZ-E2

Technical Parameter				
Supply voltage	20...30 VDC	20...30 VDC	20...30 VDC	
Switch point drift	< ±10% Sr	< ±10% Sr	< ±10% Sr	
Load current	<130mA	<130mA	<130mA	
Voltage drop	<5V	<5V	<5V	
Consumption current	<25mA	<25mA	<25mA	
Hysteresis	1...20%	1...20%	1...20%	
Repeat accuracy	<5%	<5%	<5%	
Frequency	300Hz	300Hz	300Hz	
Output indicator	
Polarity protection	yes	yes	yes	
Surge protection	yes	yes	yes	
Short-circuit protection	yes	yes	yes	
Ambient temperature	-25...+70°C	-25...+70°C	-25...+70°C	
Ambient moisture	35...95%	35...95%	35...95%	
Protection degree	IP67	IP67	IP67	
Housing material	Nickel-copper Alloy	Nickel-copper Alloy	Nickel-copper Alloy	
Connection	2m PVC Cable	M12 Connector	M12 Connector	
Certification	CE U _L	CE U _L	CE U _L	

* Cable material and length can be customized



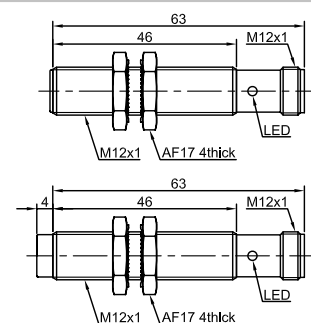
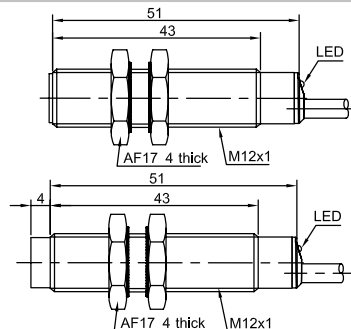
Item Code	LR12X		LR12X	
Mounting	● Flushed	◐ Non-flushed	● Flushed	◐ Non-flushed
Sensing distance	2mm	4mm	2mm	4mm



Output	NPN NO	LR12XBF02DNOA	LR12XBN04DNOA	LR12XBF02DNOA-E2	LR12XBN04DNOA-E2
	NPN NC	LR12XBF02DNCA	LR12XBN04DNCA	LR12XBF02DNCA-E2	LR12XBN04DNCA-E2
Output	PNP NO	LR12XBF02DPOA	LR12XBN04DPOA	LR12XBF02DPOA-E2	LR12XBN04DPOA-E2
	PNP NC	LR12XBF02DPCA	LR12XBN04DPCA	LR12XBF02DPCA-E2	LR12XBN04DPCA-E2

Technical Parameter				
Supply voltage	10...30 VDC	10...30 VDC	10...30 VDC	10...30 VDC
Switch point drift	<±10% Sr	<±10% Sr	<±10% Sr	<±10% Sr
Load current	<200mA	<200mA	<200mA	<200mA
Voltage drop	<2.5V	<2.5V	<2.5V	<2.5V
Consumption current	<15mA	<15mA	<15mA	<15mA
Hysteresis	1...20%	1...20%	1...20%	1...20%
Repeat accuracy	<3%	<3%	<3%	<3%
Frequency	3000Hz	2000Hz	3000Hz	2000Hz
Output indicator	Yellow LED	Yellow LED	Yellow LED	Yellow LED
Polarity protection	yes	yes	yes	yes
Surge protection	yes	yes	yes	yes
Short-circuit protection	yes	yes	yes	yes
Ambient temperature	-25...+70°C	-25...+70°C	-25...+70°C	-25...+70°C
Ambient moisture	35...95%	35...95%	35...95%	35...95%
Protection degree	IP67	IP67	IP67	IP67
Housing material	Brass+PTFE Coating	Brass+PTFE Coating	Brass+PTFE Coating	Brass+PTFE Coating
Connection	2m PVC Cable	2m PVC Cable	M12 Connector	M12 Connector
Certification	CE U _L	CE U _L	CE U _L	CE U _L

* Cable material and length can be customized



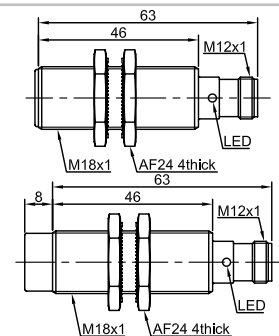
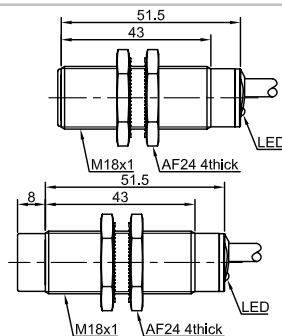
Item Code	LR18X		LR18X	
Mounting	● Flushed	◐ Non-flushed	● Flushed	◐ Non-flushed
Sensing distance	5mm	8mm	5mm	8mm



Output	NPN NO	LR18XBF05DNOA	LR18XBN08DNOA	LR18XBF05DNOA-E2	LR18XBN08DNOA-E2
	NPN NC	LR18XBF05DNCA	LR18XBN08DNCA	LR18XBF05DNCA-E2	LR18XBN08DNCA-E2
Output	PNP NO	LR18XBF05DPOA	LR18XBN08DPOA	LR18XBF05DPOA-E2	LR18XBN08DPOA-E2
	PNP NC	LR18XBF05DPCA	LR18XBN08DPCA	LR18XBF05DPCA-E2	LR18XBN08DPCA-E2

Technical Parameter				
Supply voltage	10...30 VDC	10...30 VDC	10...30 VDC	10...30 VDC
Switch point drift	<±10% Sr	<±10% Sr	<±10% Sr	<±10% Sr
Load current	<200mA	<200mA	<200mA	<200mA
Voltage drop	<2.5V	<2.5V	<2.5V	<2.5V
Consumption current	<15mA	<15mA	<15mA	<15mA
Hysteresis	1...20%	1...20%	1...20%	1...20%
Repeat accuracy	<3%	<3%	<3%	<3%
Frequency	1500Hz	1000Hz	1500Hz	1000Hz
Output indicator	Yellow LED	Yellow LED	Yellow LED	Yellow LED
Polarity protection	yes	yes	yes	yes
Surge protection	yes	yes	yes	yes
Short-circuit protection	yes	yes	yes	yes
Ambient temperature	-25...+70°C	-25...+70°C	-25...+70°C	-25...+70°C
Ambient moisture	35...95%	35...95%	35...95%	35...95%
Protection degree	IP67	IP67	IP67	IP67
Housing material	Brass+PTFE Coating	Brass+PTFE Coating	Brass+PTFE Coating	Brass+PTFE Coating
Connection	2m PVC Cable	2m PVC Cable	M12 Connector	M12 Connector
Certification	CE U _L	CE U _L	CE U _L	CE U _L

* Cable material and length can be customized



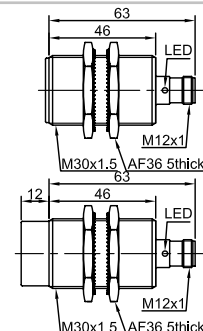
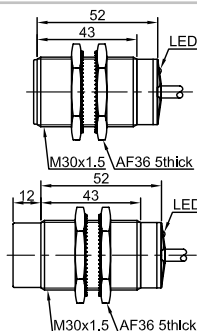
Item Code	LR30X		LR30X	
Mounting	● Flushed	◐ Non-flushed	● Flushed	◐ Non-flushed
Sensing distance	10mm	15mm	10mm	15mm



Output	NPN NO	LR30XBF10DNOA	LR30XBN15DNOA	LR30XBF10DNOA-E2	LR30XBN15DNOA-E2
	NPN NC	LR30XBF10DNCA	LR30XBN15DNCA	LR30XBF10DNCA-E2	LR30XBN15DNCA-E2
Output	PNP NO	LR30XBF10DPOA	LR30XBN15DPOA	LR30XBF10DPOA-E2	LR30XBN15DPOA-E2
	PNP NC	LR30XBF10DPCA	LR30XBN15DPCA	LR30XBF10DPCA-E2	LR30XBN15DPCA-E2

Technical Parameter				
Supply voltage	10...30 VDC	10...30 VDC	10...30 VDC	10...30 VDC
Switch point drift	< ±10% Sr	< ±10% Sr	< ±10% Sr	< ±10% Sr
Load current	<200mA	<200mA	<200mA	<200mA
Voltage drop	<2.5V	<2.5V	<2.5V	<2.5V
Consumption current	<15mA	<15mA	<15mA	<15mA
Hysteresis	1...20%	1...20%	1...20%	1...20%
Repeat accuracy	<3%	<3%	<3%	<3%
Frequency	800Hz	500Hz	800Hz	500Hz
Output indicator	Yellow LED	Yellow LED	Yellow LED	Yellow LED
Polarity protection	yes	yes	yes	yes
Surge protection	yes	yes	yes	yes
Short-circuit protection	yes	yes	yes	yes
Ambient temperature	-25...+70°C	-25...+70°C	-25...+70°C	-25...+70°C
Ambient moisture	35...95%	35...95%	35...95%	35...95%
Protection degree	IP67	IP67	IP67	IP67
Housing material	Brass+PTFE Coating	Brass+PTFE Coating	Brass+PTFE Coating	Brass+PTFE Coating
Connection	2m PVC Cable	2m PVC Cable	M12 Connector	M12 Connector
Certification	CE U _L	CE U _L	CE U _L	CE U _L

* Cable material and length can be customized

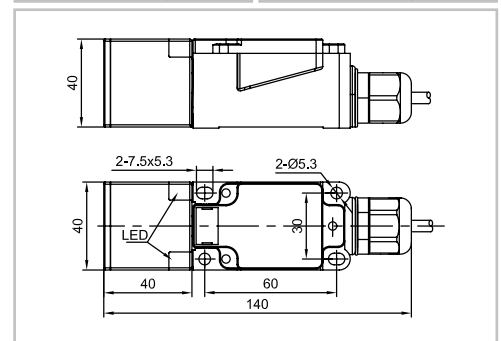
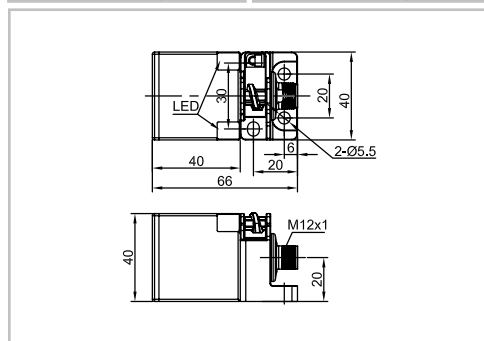


Item Code	LE40SZ		LE40XZ	
Mounting	● Flushed	◐ Non-flushed	● Flushed	◐ Non-flushed
Sensing distance	15mm	20mm	15mm	20mm



Output	NPN NO	LE40SZSF15DNOA-E2	LE40SZSN20DNOA-E2	LE40XZSF15DNOA-D	LE40XZSN20DNOA-D
	NPN NC	LE40SZSF15DNCA-E2	LE40SZSN20DNCA-E2	LE40XZSF15DNCA-D	LE40XZSN20DNCA-D
Output	PNP NO	LE40SZSF15DPOA-E2	LE40SZSN20DPOA-E2	LE40XZSF15DPOA-D	LE40XZSN20DPOA-D
	PNP NC	LE40SZSF15DPCA-E2	LE40SZSN20DPCA-E2	LE40XZSF15DPCA-D	LE40XZSN20DPCA-D

Technical Parameter				
Supply voltage	10...30 VDC	10...30 VDC	10...30 VDC	10...30 VDC
Switch point drift	< ±10% Sr	< ±10% Sr	< ±10% Sr	< ±10% Sr
Load current	<200mA	<200mA	<200mA	<200mA
Voltage drop	<2.5V	<2.5V	<2.5V	<2.5V
Consumption current	<15mA	<15mA	<15mA	<15mA
Hysteresis	1...15%	1...15%	1...15%	1...15%
Repeat accuracy	<3%	<3%	<3%	<3%
Frequency	300Hz	200Hz	300Hz	200Hz
Output indicator	Yellow LED	Yellow LED	Yellow LED	Yellow LED
Polarity protection	yes	yes	yes	yes
Surge protection	yes	yes	yes	yes
Short-circuit protection	yes	yes	yes	yes
Ambient temperature	-25...+70°C	-25...+70°C	-25...+70°C	-25...+70°C
Ambient moisture	35...95%	35...95%	35...95%	35...95%
Protection degree	IP67	IP67	IP67	IP67
Housing material	PBT+PTFE Coating	PBT+PTFE Coating	PBT+PTFE Coating	PBT+PTFE Coating
Connection	M12 Connector	M12 Connector	Terminal connect	Terminal connect
Certification	CE U _L	CE U _L	CE U _L	CE U _L



Inductive sensors / With integrated rotation speed monitor **LR18X/LR30X**

10-30VDC 3 Wires

Item Code	LR18X		LR30X	
Mounting	● Flushed	◐ Non-flushed	● Flushed	◐ Non-flushed
Sensing distance	5mm	8mm	10mm	15mm



Output	NPN NC	LR18XCF05DNCJ	LR18XCN08DNCJ	LR30XCF10DNCJ	LR30XCN15DNCJ
Output	PNP NC	LR18XCF05DPCJ	LR18XCN08DPCJ	LR30XCF10DPCJ	LR30XCN15DPCJ

Technical Parameter				
Supply voltage	10...30 VDC	10...30 VDC	10...30 VDC	10...30 VDC
Switch point drift	<±10% Sr	<±10% Sr	<±10% Sr	<±10% Sr
Load current	<200mA	<200mA	<200mA	<200mA
Voltage drop	<2.5V	<2.5V	<2.5V	<2.5V
Consumption current	<15mA	<15mA	<15mA	<15mA
Hysteresis	1...20%	1...20%	1...20%	1...20%
Repeat accuracy	<3%	<3%	<3%	<3%
Frequency
Output indicator	Yellow LED	Yellow LED	Yellow LED	Yellow LED
Polarity protection	yes	yes	yes	yes
Surge protection	yes	yes	yes	yes
Speed	3...3000 transgenic/minutes	3...3000 transgenic/minutes	3...3000 transgenic/minutes	3...3000 transgenic/minutes
Ambient temperature	-25...+70°C	-25...+70°C	-25...+70°C	-25...+70°C
Ambient moisture	35...95%	35...95%	35...95%	35...95%
Protection degree	IP67	IP67	IP67	IP67
Housing material	Nickel-copper Alloy	Nickel-copper Alloy	Nickel-copper Alloy	Nickel-copper Alloy
Connection	2m PVC Cable	2m PVC Cable	2m PVC Cable	2m PVC Cable
Certification	CE U _L	CE U _L	CE U _L	CE U _L

* Cable material and length can be customized

