



**HIRSCHMANN**

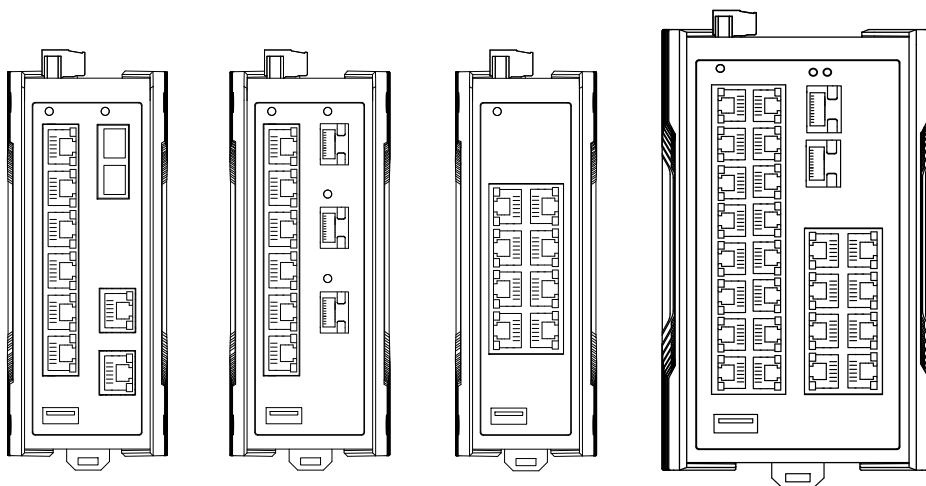
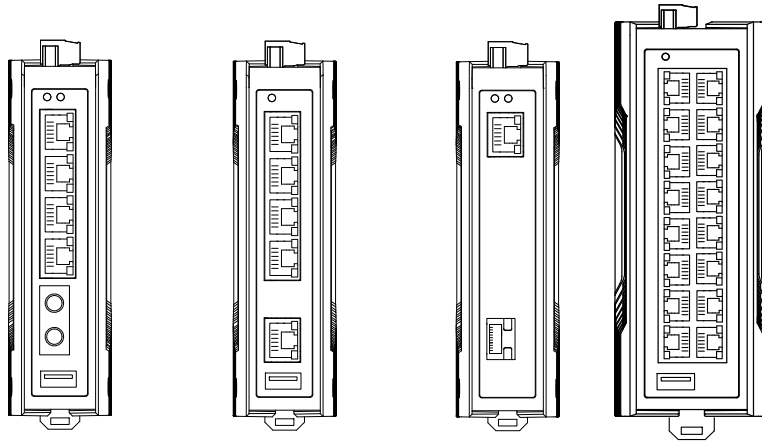
A **BELDEN** BRAND

# User Manual

## Installation

### Industrial Ethernet Rail Switch

### SPIDER Premium Line



The naming of copyrighted trademarks in this manual, even when not specially indicated, should not be taken to mean that these names may be considered as free in the sense of the trademark and tradename protection law and hence that they may be freely used by anyone.

© 2018 Hirschmann Automation and Control GmbH

Manuals and software are protected by copyright. All rights reserved. The copying, reproduction, translation, conversion into any electronic medium or machine scannable form is not permitted, either in whole or in part. An exception is the preparation of a backup copy of the software for your own use.

The performance features described here are binding only if they have been expressly agreed when the contract was made. This document was produced by Hirschmann Automation and Control GmbH according to the best of the company's knowledge. Hirschmann reserves the right to change the contents of this document without prior notice. Hirschmann can give no guarantee in respect of the correctness or accuracy of the information in this document.

Hirschmann can accept no responsibility for damages, resulting from the use of the network components or the associated operating software. In addition, we refer to the conditions of use specified in the license contract.

You can get the latest version of this manual on the Internet at the Hirschmann product site ([www.hirschmann.com](http://www.hirschmann.com)).

Hirschmann Automation and Control GmbH  
Stuttgarter Str. 45-51  
72654 Neckartenzlingen  
Germany

# Contents

<b>Safety instructions</b>	<b>5</b>
<b>About this Manual</b>	<b>13</b>
<b>Key</b>	<b>14</b>
<b>1 Description</b>	<b>15</b>
1.1 General device description	15
1.2 Device name and product code	16
1.3 Device view	18
1.3.1 Front view	18
1.4 Power supply	20
1.5 Ethernet ports	21
1.5.1 Pin assignments	22
1.6 Display elements	23
1.6.1 Device state	23
1.6.2 Port status	24
<b>2 Configuration interface</b>	<b>25</b>
2.1 USB interface	25
<b>3 Signal contact</b>	<b>26</b>
<b>4 Installation</b>	<b>27</b>
4.1 Checking the package contents	27
4.2 Mounting the device	28
4.2.1 Installing the device onto the DIN rail	28
4.2.2 Mounting on a flat surface	30
4.3 Grounding the device	31
4.4 Installing an SFP transceiver (optional)	31
4.5 Connecting the terminal block	32
4.6 Operating the device	33
4.6.1 Installing terminal blocks, switching on the supply voltage	33
4.6.2 Connecting data cables	33

<b>5</b>	<b>Configuration (optional)</b>	<b>34</b>
5.1	Configuration readout	39
<b>6</b>	<b>Monitoring the ambient air temperature</b>	<b>40</b>
<b>7</b>	<b>Maintenance and service</b>	<b>41</b>
<b>8</b>	<b>Disassembly</b>	<b>42</b>
8.1	Removing an SFP transceiver (optional)	42
8.2	Removing the device	43
<b>9</b>	<b>Technical data</b>	<b>45</b>
9.1	General technical data	45
9.2	Dimension drawings	47
9.3	Stability	49
9.4	Electromagnetic compatibility (EMC)	50
9.5	Network range	52
9.6	Power consumption/power output	55
<b>10</b>	<b>Scope of delivery, order numbers and accessories</b>	<b>56</b>
<b>11</b>	<b>Underlying technical standards</b>	<b>59</b>
<b>A</b>	<b>Open Source Software used in the product</b>	<b>60</b>
<b>B</b>	<b>Further support</b>	<b>68</b>

# Safety instructions

## ■ General safety instructions

You operate this device with electricity. Improper usage of the device entails the risk of physical injury or significant property damage. The proper and safe operation of this device depends on proper handling during transportation, proper storage and installation, and careful operation and maintenance procedures.

- Before connecting any cable, read this document, and the safety instructions and warnings.
- Operate the device with undamaged components exclusively.
- The device is free of any service components. In case of a damaged or malfunctioning device, turn off the supply voltage and return the device to Hirschmann for inspection.

## ■ Certified usage

Use the device solely for the application cases described in the Hirschmann product information, including this manual.

Operate the device solely according to the technical specifications.

See [“Technical data” on page 45](#).

## ■ Installation site requirements

- When you are selecting the installation location, make sure you observe the climatic threshold values specified in the technical data.
- Operate the device at the specified ambient temperature (temperature of the ambient air at a distance of 2 inches (5 cm) from the device) and at the specified relative humidity exclusively.
- Use the device in an environment with a maximum pollution degree that complies with the specifications in the technical data.
- Install the device in a fire enclosure according to EN 60950-1.

## ■ Qualification requirements for personnel

- Only allow qualified personnel to work on the device.

Qualified personnel have the following characteristics:

- ▶ Qualified personnel are properly trained. Training as well as practical knowledge and experience make up their qualifications. This is the prerequisite for grounding and labeling circuits, devices, and systems in accordance with current standards in safety technology.
- ▶ Qualified personnel are aware of the dangers that exist in their work.
- ▶ Qualified personnel are familiar with appropriate measures against these hazards in order to reduce the risk for themselves and others.
- ▶ Qualified personnel receive training on a regular basis.

## ■ Device casing

Only technicians authorized by the manufacturer are permitted to open the casing.

- Never insert pointed objects (narrow screwdrivers, wires, etc.) into the device or into the connection terminals for electric conductors. Do not touch the connection terminals.
- Keep the ventilation slits free to ensure good air circulation.  
[See “General technical data” on page 45.](#)
- Mount the device in the vertical position.
- At ambient air temperatures > 140 °F (+60 °C):  
The surfaces of the device housing may become hot. Avoid touching the device while it is operating.

## ■ Requirements for connecting electrical wires

Before connecting the electrical wires, **always** verify that the requirements listed are complied with.

### The following requirements apply without restrictions:

- ▶ The electrical wires are voltage-free.
- ▶ The cables used are permitted for the temperature range of the application case.
- ▶ Relevant for North America:  
Exclusively use 60/75 °C (140/167 °F) or 75 °C (167 °F) copper (Cu) wire.

*Table 1: Requirements for connecting electrical wires*

## ■ Requirements for connecting the signal contact

Before connecting the signal contact, **always** verify that the requirements listed are complied with.

### The following requirements apply without restrictions:

- ▶ The voltage connected complies with the requirements for a safety extra-low voltage (SELV) as per IEC/EN 60950-1.
- ▶ The connected voltage is limited by a current limitation device or a fuse.  
Observe the electrical threshold values for the signal contact.  
[See “General technical data” on page 45.](#)

*Table 2: Requirements for connecting the signal contact*

## ■ Requirements for connecting the supply voltage

Before connecting the supply voltage, **always** verify that the requirements listed are complied with.

---

**Prerequisites:**

---

All of the following requirements are complied with:

---

- ▶ The supply voltage corresponds to the voltage specified on the type plate of the device.
  - ▶ The power supply conforms to overvoltage category I or II.
  - ▶ The power supply has an easily accessible disconnecting device (for example a switch or a plug). This disconnecting device is clearly identified. So in the case of an emergency, it is clear which disconnecting device belongs to which power supply cable.
  - ▶ The power supply cable is suitable for the voltage, the current and the physical load. Hirschmann recommends a wire diameter of 0.5 mm<sup>2</sup> to 0.75 mm<sup>2</sup> (AWG20 up to AWG18).
- 

The following requirements apply alternatively:

---

Relevant when the device is supplied via 1 voltage input:

---

Alternative 1 The power supply complies with the requirements for a limited power source (LPS) as per EN 60950-1.

---

Alternative 2 Relevant for North America:  
The power supply complies with the requirements according to NEC Class 2.

---

Alternative 3 **All** of the following requirements are complied with:

- ▶ The power supply complies with the requirements for a safety extra-low voltage (SELV) as per IEC/EN 60950-1.
- ▶ Supply with DC voltage:  
A fuse suitable for DC voltage is located in the plus conductor of the power supply.  
The minus conductor is on ground potential. Otherwise, a fuse is also located in the minus conductor.  
Regarding the properties of this fuse:  
[See "General technical data" on page 45.](#)
- ▶ Supply with AC voltage:  
A fuse is located in the outer conductor of the power supply.  
The neutral conductor is on ground potential at both voltage inputs.  
Otherwise, a fuse is also located in the neutral conductor.  
Regarding the properties of this fuse:  
[See "General technical data" on page 45.](#)


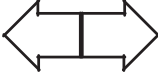

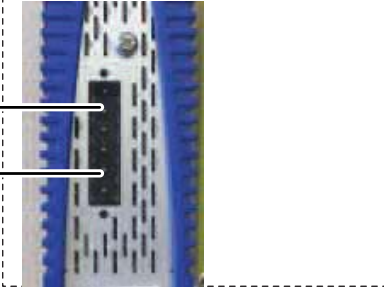

---

*Table 3: Requirements for connecting the supply voltage*

■ **National and international safety regulations**

Verify that the electrical installation meets locally or nationally applicable safety regulations.

■ **Relevant for use in explosion hazard areas (Hazardous Locations, Class I, Division 2)**

	<p>Ordinary Location, Non-Hazardous Area, Non-Explosive Atmosphere</p>		<p>Explosive Atmosphere Class I Division 2, Groups A, B, C, D Hazardous Location</p>
<p><b>USB connection:</b> Equipment with non-incendive field wiring parameters. USB entity parameters:  <math>V_{OC} = 5.5V</math> <math>I_{SC} = 1.25A</math>  <math>C_a = 10\mu F</math> <math>L_a = 10\mu H</math></p>			
<p><b>Relay contacts:</b> Equipment with non-incendive field wiring parameters. The relay terminals are dependent upon the following entity parameters:  <math>V_{max} = 30V</math> <math>I_{max} = 90mA</math>  <math>C_i = 2nF</math> <math>L_i = 1\mu H</math></p>			
<p><b>For Use in Hazardous Locations Class I Division 2 Groups A, B, C, D:</b>          Only allowed for SPIDER III PL model No's. which are individually labelled "FOR USE IN HAZARDOUS LOCATIONS"</p> <p>Nonincendive field wiring circuits must be wired in accordance with the National Electrical Code (NEC), NFPA 70, article 501. CEC, Appendix J, Annex J 18</p> <p>The earth conductor must be at least the same wire size (mm<sup>2</sup> or AWG) as the supply conductors.</p> <p><b>WARNING – EXPLOSION HAZARD – SUBSTITUTION OF ANY COMPONENTS MAY IMPAIR SUITABILITY FOR HAZARDOUS LOCATIONS OR EXPLOSIVE ATMOSPHERES.</b></p> <p><b>WARNING – EXPLOSION HAZARD – DO NOT DISCONNECT EQUIPMENT UNLESS POWER HAS BEEN SWITCHED OFF OR THE AREA IS KNOWN TO BE NON-HAZARDOUS.</b></p>			
Control Drawing SPIDER III PL Series for Use in Hazardous Locations Class I Division 2, Groups A, B, C, D			 <p><b>HIRSCHMANN</b> A BELDEN BRAND</p>
Rev.: 1	Document No.: 000197116DNR	Page 1/2	



Capacitance and inductance of the field wiring from the nonincendive circuit to the associated apparatus shall be calculated and must be included in the system calculations as shown in Table 1. Cable capacitance,  $C_{\text{cable}}$ , plus nonincendive equipment capacitance,  $C_i$ , must be less than the marked capacitance,  $C_a$  (or  $C_o$ ), shown on any associated apparatus used.

The same applies for inductance ( $L_{\text{cable}}$ ,  $L_i$  and  $L_a$  or  $L_o$ , respectively).

Where the cable capacitance and inductance per foot are not known, the following values shall be used:

$$C_{\text{cable}} = 60 \text{ pF/ft.}, L_{\text{cable}} = 0.2 \text{ }\mu\text{H/ft.}$$

**Table1:**

Nonincendive Equipment		Associated Apparatus
$V_{\text{max}}$ (or $U_i$ )	$\geq$	$V_{\text{oc}}$ or $V_t$ (or $U_o$ )
$I_{\text{max}}$ (or $I_i$ )	$\geq$	$I_{\text{sc}}$ or $I_t$ (or $I_o$ )
$P_{\text{max}}$ (or $P_i$ )	$\geq$	$P_o$
$C_i + C_{\text{cable}}$	$\leq$	$C_a$ (or $C_o$ )
$L_i + L_{\text{cable}}$	$\leq$	$L_a$ (or $L_o$ )

Suitability for installation in particular applications is at the discretion of the Authority Having Jurisdiction (AHJ).



## ■ **ATEX directive 2014/34/EU – specific regulations for safe operation**

Relevant for SPIDER PL devices labeled with an ATEX certificate number when operating in explosive gas atmospheres according to ATEX Directive 2014/34/EU, the following applies:

- Make sure that the device has the following label:  
**DEKRA 16ATEX0108X**
- The modules shall be installed in a suitable enclosure in accordance with EN 60079-15 providing a degree of protection of at least IP54 according to EN 60529, taking into account the environmental conditions under which the equipment will be used.
- Provisions shall be made to prevent the rated voltage from being exceeded by transient disturbances of more than 119 V.
- Connectors shall be connected or disconnected exclusively in dead-voltage state.



The USB port shall remain disconnected.

## ■ **IECEx – Certification Scheme for Explosive Atmospheres**

For SPIDER PL devices labeled with an IECEx certificate number, the following applies:

- Make sure that the device has the following label:  
**IECEx DEK 16.0064X**
- The modules shall be installed in a suitable enclosure in accordance with EN 60079-15 providing a degree of protection of at least IP54 according to EN 60529, taking into account the environmental conditions under which the equipment will be used.
- Provisions shall be made to prevent the rated voltage from being exceeded by transient disturbances of more than 119 V.
- Connectors shall be connected or disconnected exclusively in dead-voltage state.



The USB port shall remain disconnected.

## ■ **CE marking**

The labeled devices comply with the regulations contained in the following European directive(s):

2011/65/EU (RoHS)

Directive of the European Parliament and of the Council on the restriction of the use of certain hazardous substances in electrical and electronic equipment.

2014/30/EU (EMC)

Directive of the European Parliament and the council for standardizing the regulations of member states with regard to electromagnetic compatibility.

In accordance with the above-named EU directive(s), the EU conformity declaration will be at the disposal of the relevant authorities at the following address:

Hirschmann Automation and Control GmbH  
Stuttgarter Str. 45-51  
72654 Neckartenzlingen  
Germany  
[www.hirschmann.com](http://www.hirschmann.com)

The device can be used in the industrial sector.

- ▶ Interference immunity: EN 61000-6-2
- ▶ Emitted interference: EN 55032

**Warning!** This is a class A device. This device can cause interference in living areas, and in this case the operator may be required to take appropriate measures.

**Note:** The assembly guidelines provided in these instructions must be strictly adhered to in order to observe the EMC threshold values.

## ■ **LED or laser components**

LED or LASER components according to IEC 60825-1 (2014):

CLASS 1 LASER PRODUCT

CLASS 1 LED PRODUCT

■ **FCC note:**

This device complies with part 15 of the FCC rules. Operation is subject to the following two conditions: (1) this device may not cause harmful interference; (2) this device must accept any interference received, including interference that may cause undesired operation.

Appropriate testing has established that this device fulfills the requirements of a class A digital device in line with part 15 of the FCC regulations.

These requirements are designed to provide sufficient protection against interference when the device is being used in a business environment.

The device creates and uses high frequencies and can also radiate these frequencies. If it is not installed and used in accordance with this operating manual, it can cause radio transmission interference. The use of this device in a residential area can also cause interference, and in this case the user is obliged to cover the costs of removing the interference.

■ **Recycling note**

After usage, this device must be disposed of properly as electronic waste, in accordance with the current disposal regulations of your county, state, and country.

# About this Manual

The "Installation" user manual contains a device description, safety instructions, a description of the display, and the other information that you need to install the device.

Documentation mentioned in the "Installation" user manual that is not supplied with your device in print can be found as PDF download on the Internet at the Hirschmann product pages ([www.hirschmann.com](http://www.hirschmann.com)).

# Key

The symbols used in this manual have the following meanings:

▶	Listing
□	Work step
■	Subheading

# 1 Description

## 1.1 General device description

The SPIDER PL devices are designed for the special requirements of industrial automation. They meet the relevant industry standards, provide very high operational reliability, even under extreme conditions, and also long-term reliability and flexibility.

The devices allow you to set up switched industrial Ethernet networks that conform to the IEEE 802.3 standard.

You have numerous options of combining the device characteristics. You can determine the possible combinations using the Configurator which is available in the Belden E-Catalog ([www.e-catalog.beldensolutions.com](http://www.e-catalog.beldensolutions.com)) on the web page of the device.

## 1.2 Device name and product code

The device name corresponds to the product code. The product code is made up of characteristics with defined positions. The characteristic values stand for specific product properties.

Item	Characteristic	Characteristic value	Description
1 ... 9	Product	SPIDER PL	SPIDER Premium Line
10	(hyphen)	–	
11	Data rate	2	10/100 Mbit/s
		3	10/100 Mbit/s and 10/100/1000 Mbit/s
		4	10/100/1000 Mbit/s
12	Power over Ethernet (PoE)	0	without PoE support
13	(hyphen)	–	
14 ... 17	Number Twisted pair ports	01T1	
		04T1	
		05T1	
		06T1	
		07T1	
		08T1	
		16T1	
18 ... 19	Optical fiber port 1	M2	DSC multimode socket for 100 Mbit/s F/O connections
		S2	DSC singlemode socket for 100 Mbit/s F/O connections
		M4	ST multimode socket for 100 Mbit/s F/O connections
		O6	SFP slot for 100/1000 Mbit/s F/O connections
		Z6	SFP slot for 100 Mbit/s F/O connections
		99	without
20 ... 21	Optical fiber port 2	M2	DSC multimode socket for 100 Mbit/s F/O connections
		S2	DSC singlemode socket for 100 Mbit/s F/O connections
		O6	SFP slot for 1000 Mbit/s connections
		Z6	SFP slot for 100 Mbit/s F/O connections
		99	without
22 ... 23	Optical fiber port 3	Z6	SFP slot for 100 Mbit/s F/O connections
		99	without

Table 4: Device name and product code



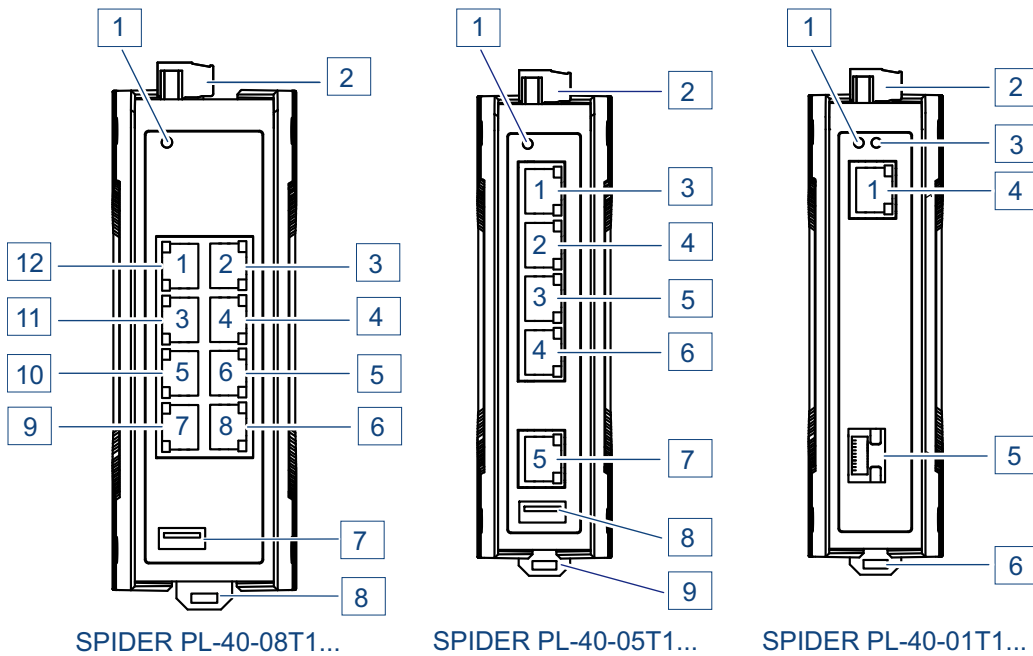
Item	Characteristic	Characteristic value	Description
24	Temperature range	T	Extended -40 °F ... +158 °F (-40 °C ... +70 °C) Derating <sup>a</sup>
		E	Extended with Conformal Coating -40 °F ... +158 °F (-40 °C ... +70 °C)
25	Certificates and declarations	Z9	CE, FCC, EN61131
		Y9	Z9 + UL 61010
		X9	Z9 + UL 61010 + ISA 12.12.01
		W9	Z9 + ATEX Zone 2
		R9	CE, FCC, EN 61131, EN 60950, E1
		TY	Z9 + UL 61010 + GL/DNV
		UY	CE, FCC, EN 61131, EN 60950, UL 61010, GL/DNV
		WV	WU + EN 50121-4 + E1
		WW	WU + IEC 61850, IEEE 1613 + EN 50121-4
27 ... 28	Customer-specific version	HH	Hirschmann standard
		HK	Voltage terminal with spring
		HU	Hub Mode N: N Port mirroring
29 ... 30	Configuration	HH	Hirschmann standard <a href="#">See "General technical data" on page 45.</a>
		HV	Extended voltage range <a href="#">See "General technical data" on page 45.</a>

*Table 4: Device name and product code*

- a. For the device variant SPIDER PL-20-06T1Z6Z6Z6..., the maximum permitted ambient air temperature has to be reduced to +140 °F (+60 °C).

## 1.3 Device view

### 1.3.1 Front view



Front view using example of the device variants SPIDER PL-40...

#### SPIDER PL 40-08T1...

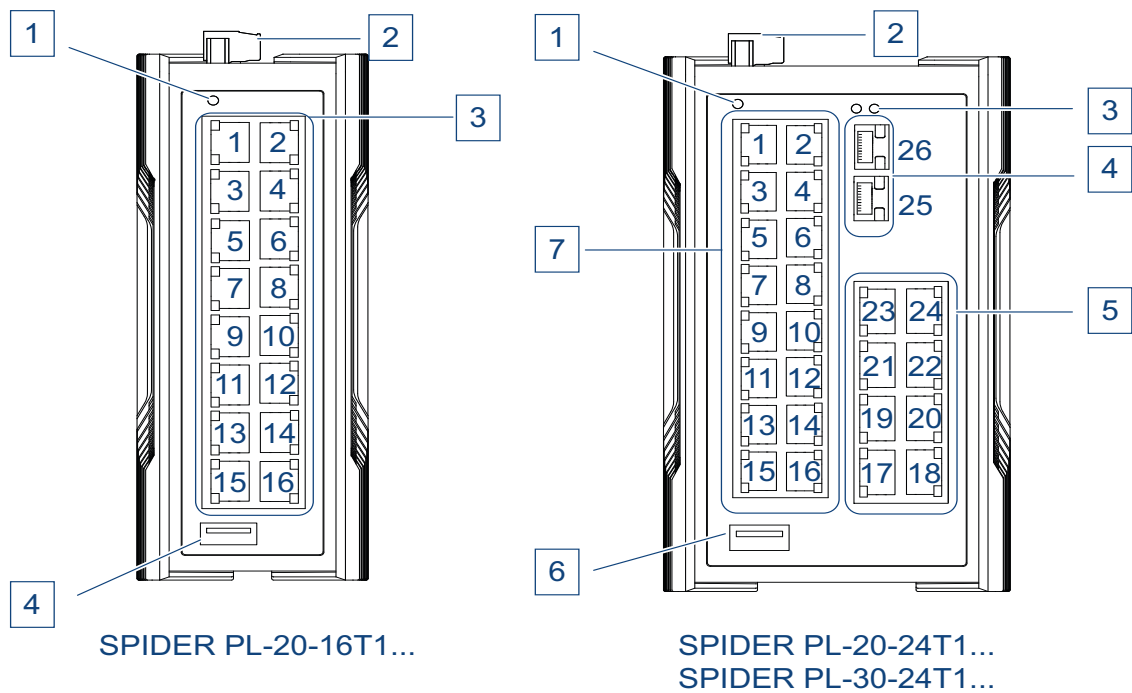
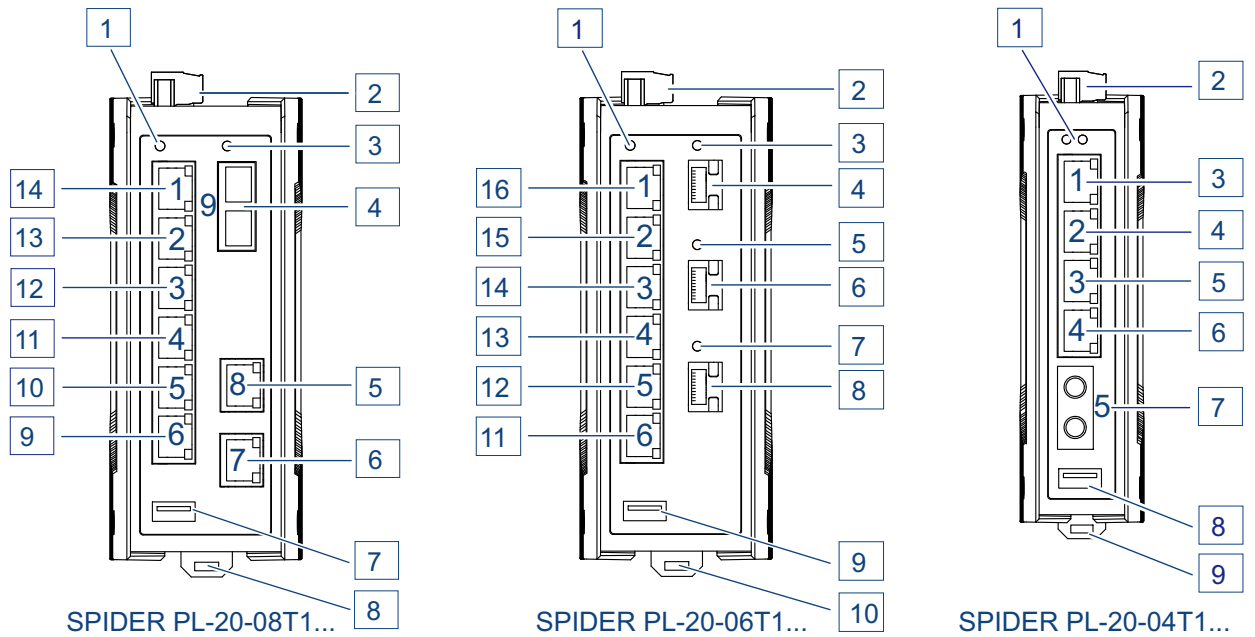
- |          |   |
|----------|---|
| 1        | LED display elements for device status                              |
| 2        | 6-pin, pluggable terminal block for power supply and signal contact |
| 3 ... 6  | 4 × RJ45 socket for 10/100/1000 Mbit/s twisted Pair connections     |
| 7        | USB interface   |
| 8        | Rail lock slide for DIN rail mounting                               |
| 9 ... 12 | 4 × RJ45 socket for 10/100/1000 Mbit/s twisted Pair connections     |

#### SPIDER PL-40-05T1...

- |         |   |
|---------|---|
| 1       | LED display elements for device status                              |
| 2       | 6-pin, pluggable terminal block for power supply and signal contact |
| 3 ... 7 | 5 × RJ45 socket for 10/100/1000 Mbit/s twisted Pair connections     |
| 8       | USB interface   |
| 9       | Rail lock slide for DIN rail mounting                               |

#### SPIDER PL-40-01T1...

- |   |   |
|---|---|
| 1 | LED display elements for device status                              |
| 2 | 6-pin, pluggable terminal block for power supply and signal contact |
| 3 | LED display elements for port status                                |
| 4 | RJ45 socket for 10/100/1000 Mbit/s twisted Pair connections         |
| 5 | SFP slot for 100/1000 Mbit/s F/O connections                        |
| 6 | Rail lock slide for DIN rail mounting                               |



Front view using example of the device variants SPIDER PL-20... and SPIDER PL-30...

**SPIDER PL-20-08T1...**

(depending on the device variant)

- |         |   |
|---------|---|
| 1       | LED display elements for device status  |
| 2       | 6-pin, pluggable terminal block for power supply and signal contact   |
| 3       | LED display elements for port status  |
| 4       | depending on device variant <ul style="list-style-type: none"> <li>▶ DSC multimode socket for 100 Mbit/s F/O connections</li> <li>▶ DSC singlemode socket for 100 Mbit/s F/O connections</li> </ul> |
| 5 ... 6 | 2 × RJ45 socket for 10/100 Mbit/s twisted pair connections  |
| 7       | USB interface   |
| 8       | Rail lock slide for DIN rail mounting   |

9 ... 14	6 × RJ45 socket for 10/100 Mbit/s twisted pair connections
<b>SPIDER PL-20-06T1...</b>	
1	LED display elements for device status
2	6-pin, pluggable terminal block for power supply and signal contact
3, 5, 7	LED display elements for port status
4, 6, 8	SFP slot for 100 Mbit/s F/O connections
9	USB interface
10	Rail lock slide for DIN rail mounting
11 ... 16	6 × RJ45 socket for 10/100 Mbit/s twisted pair connections
<b>SPIDER PL-20-04T1...</b>	
1	LED display elements for device status
2	6-pin, pluggable terminal block for power supply and signal contact
3 ... 6	4 × RJ45 socket for 10/100 Mbit/s twisted pair connections
7	depending on device variant <ul style="list-style-type: none"> <li>▶ ST multimode socket for 100 Mbit/s F/O connections</li> <li>▶ DSC multimode socket for 100 Mbit/s F/O connections</li> <li>▶ DSC singlemode socket for 100 Mbit/s F/O connections</li> </ul>
8	USB interface
9	Rail lock slide for DIN rail mounting
<b>SPIDER PL-20-16T1...</b>	
1	LED display elements for device status
2	6-pin, pluggable terminal block for power supply and signal contact
3	16 × RJ45 socket for 10/100 Mbit/s twisted pair connections
4	USB interface
<b>SPIDER PL-20-24T1...</b>	
<b>SPIDER PL-30-24T1...</b>	
1	LED display elements for device status
2	6-pin, pluggable terminal block for power supply and signal contact
3	LED display elements for port status
4	2 × <b>SPIDER PL-20-24T1...</b> SFP slot for 100 Mbit/s F/O connections <b>SPIDER PL-30-24T1...</b> SFP slot for 100/1000 Mbit/s fiber optic connections
5	8 × RJ45 socket for 10/100 Mbit/s twisted pair connections
6	USB interface
7	16 × RJ45 socket for 10/100 Mbit/s twisted pair connections

## 1.4 Power supply

You have the following options to supply your device with voltage:

### ■ Power supply via a 6-pin terminal block

A 6-pin terminal block is available for the power supply to the device.

You will find more information here:

See [“Installing terminal blocks, switching on the supply voltage” on page 33.](#)

## 1.5 Ethernet ports

You can connect end devices and other segments to the device ports using twisted pair cables or optical fibers (F/O).

You find information on pin assignments for making patch cables here: [“Pin assignments” on page 22](#)

### ■ 10/100/1000 Mbit/s twisted pair port

This port is an RJ45 socket.

The 10/100/1000 Mbit/s twisted pair port allows you to connect network components according to the IEEE 802.3 10BASE-T/100BASE-TX/1000BASE-T standard.

This port supports:

- ▶ Autonegotiation
- ▶ Autopolarity
- ▶ Autocrossing (if autonegotiation is activated)
- ▶ 1000 Mbit/s half duplex, 1000 Mbit/s full duplex
- ▶ 100 Mbit/s half-duplex mode, 100 Mbit/s full duplex mode
- ▶ 10 Mbit/s half-duplex mode, 10 Mbit/s full duplex mode

### ■ 10/100 Mbit/s twisted pair port

This port is an RJ45 socket.

The 10/100 Mbit/s twisted pair port allows you to connect network components according to the IEEE 802.3 10BASE-T/100BASE-TX standard.

This port supports:

- ▶ Autonegotiation
- ▶ Autopolarity
- ▶ Autocrossing (if autonegotiation is activated)
- ▶ 100 Mbit/s half-duplex mode, 100 Mbit/s full duplex mode
- ▶ 10 Mbit/s half-duplex mode, 10 Mbit/s full duplex mode

### ■ 100/1000 Mbit/s F/O port

This port is an SFP slot.

The 100/1000 Mbit/s F/O port allows you to connect network components according to the IEEE 802.3 100BASE-FX/1000BASE-SX/1000BASE-LX standard.

This port supports:

- ▶ 1000 Mbit/s full duplex when using a Gigabit Ethernet SFP transceiver
- ▶ 100 Mbit/s half duplex, 100 Mbit/s full duplex when using a Fast Ethernet SFP transceiver

### ■ 100 Mbit/s F/O port

The 100 Mbit/s F/O port allows you to connect network components according to the IEEE 802.3 100BASE-FX standard.

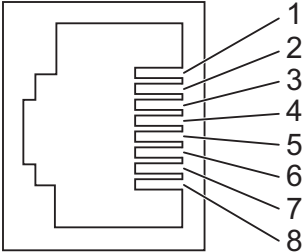
This port supports:

- ▶ 100 Mbit/s half-duplex mode, 100 Mbit/s full duplex mode

Delivery state:

- ▶ 100 Mbit/s, full duplex

### 1.5.1 Pin assignments

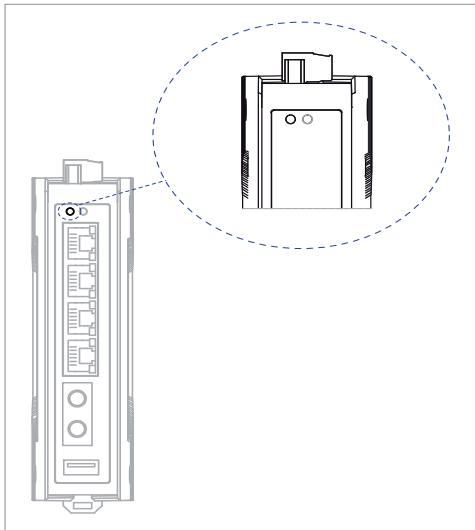
RJ45	Pin	10/100 Mbit/s	1000 Mbit/s
	<b>MDI mode</b>		
	1	TX+	BI_DA+
	2	TX-	BI_DA-
	3	RX+	BI_DB+
	4	—	BI_DC+
	5	—	BI_DC-
	6	RX-	BI_DB-
	7	—	BI_DD+
	8	—	BI_DD-
	<b>MDI-X mode</b>		
	1	RX+	BI_DB+
	2	RX-	BI_DB-
	3	TX+	BI_DA+
	4	—	BI_DD+
	5	—	BI_DD-
	6	TX-	BI_DA-
7	—	BI_DC+	
8	—	BI_DC-	

## 1.6 Display elements

After the supply voltage is switched on, the device performs a self-test. During this process, various LEDs light up.

### 1.6.1 Device state

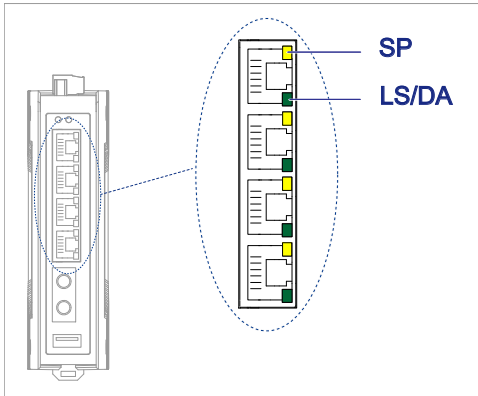
These LEDs provide information about conditions which affect the operation of the whole device.



LED	Display	Color	Activity	Meaning
Power	Supply voltage	—	none	Supply voltage is too low
		yellow	lights up	Device variants with redundant power supply: Supply voltage 1 <b>or</b> 2 is on
		green	lights up	Device variants with redundant power supply: Supply voltage 1 <b>and</b> 2 is on

## 1.6.2 Port status

These LEDs provide port-related information.



SP (data rate)	Color	Activity	Meaning
	—	none	Device detects an invalid or missing link
	yellow	flashes 1 time a period	10 Mbit/s connection
	yellow	flashes 2 times a period	100 Mbit/s connection
	yellow	flashes 3 times a period	1000 Mbit/s connection

L/D (link status/data)	Color	Activity	Meaning
	—	none	Device detects an invalid or missing link
	green	lights up	Device detects a valid link
	green	flashing	Device is transmitting and/or receiving data
	yellow/ green	flashing alternately	Updating configuration using the USB interface



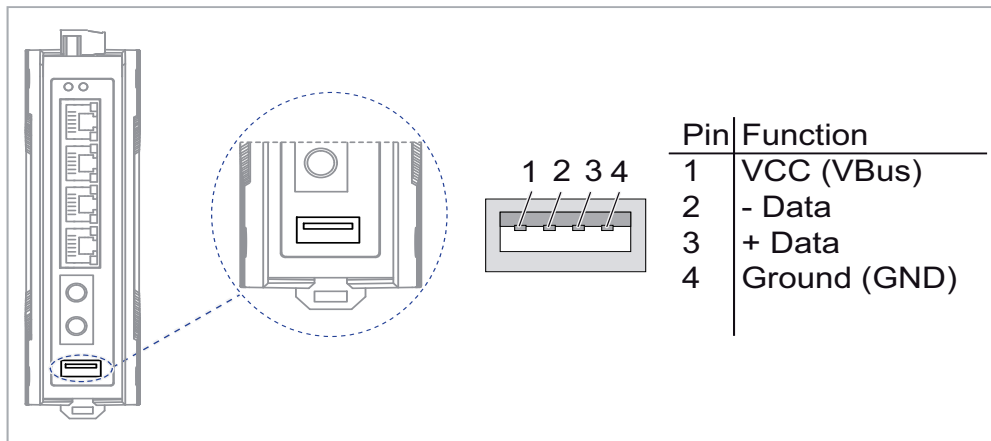
## 2 Configuration interface

### 2.1 USB interface

The USB interface allows you to connect a storage medium. This is for transferring configuration data.

The USB interface has the following properties:

- ▶ Connectors: type A
- ▶ Supports the USB master mode
- ▶ Supports USB 2.0
- ▶ Supplies current of max. 500 mA
- ▶ Voltage not potential-separated

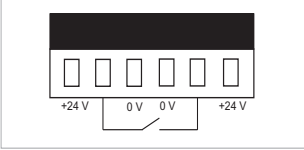


### 3 Signal contact

The potential-free signal contact (relay contact, closed circuit) reports through a break in contact:

- ▶ At least one power supply is inoperable.
- ▶ The device is not operational.
- ▶ Loss of connection to at least one port.

The link state can be masked for each port using the configuration. In the delivery state, link monitoring is inactive.

Figure	Pin	Function
	1	+ 24 V DC
	2	FAULT
	3	0 V
	4	0 V
	5	FAULT
	6	+ 24 V DC

## 4 Installation

The devices have been developed for practical application in a harsh industrial environment.

On delivery, the device is ready for operation.

Perform the following steps to install and configure the device:

- ▶ [Checking the package contents](#)
- ▶ [Mounting the device](#)
- ▶ [Installing an SFP transceiver \(optional\)](#)
- ▶ [Connecting the terminal block](#)
- ▶ [Operating the device](#)
- ▶ [Connecting data cables](#)
- ▶ [Configuration \(optional\)](#)

### 4.1 Checking the package contents

**Proceed as follows:**

- Check whether the package includes all items named in the section [“Scope of delivery” on page 56](#).
- Check the individual parts for transport damage.

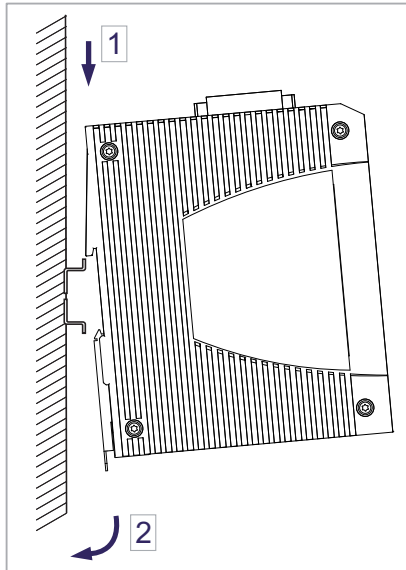
## 4.2 Mounting the device

You have the following options for mounting your device:

- ▶ [Installing the device onto the DIN rail](#)
- ▶ [Mounting on a flat surface](#)

### 4.2.1 Installing the device onto the DIN rail

The device is for mounting on a 35 mm DIN rail in accordance with DIN EN 60715.

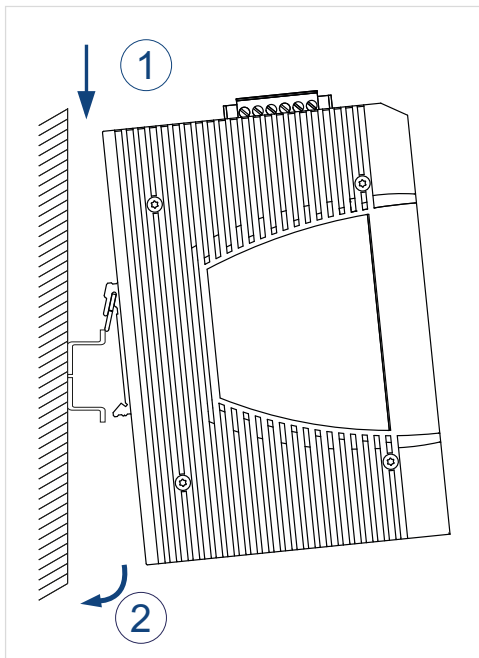


#### Proceed as follows:

- Slide the upper snap-in guide of the device into the DIN rail.
- Use a screwdriver to pull the rail lock slide downwards.
- Snap in the device by releasing the rail lock slide.

■ **Device variants SPIDER PL-20-16T1... , SPIDER PL-20-24T1... , SPIDER PL-30-24T1...**

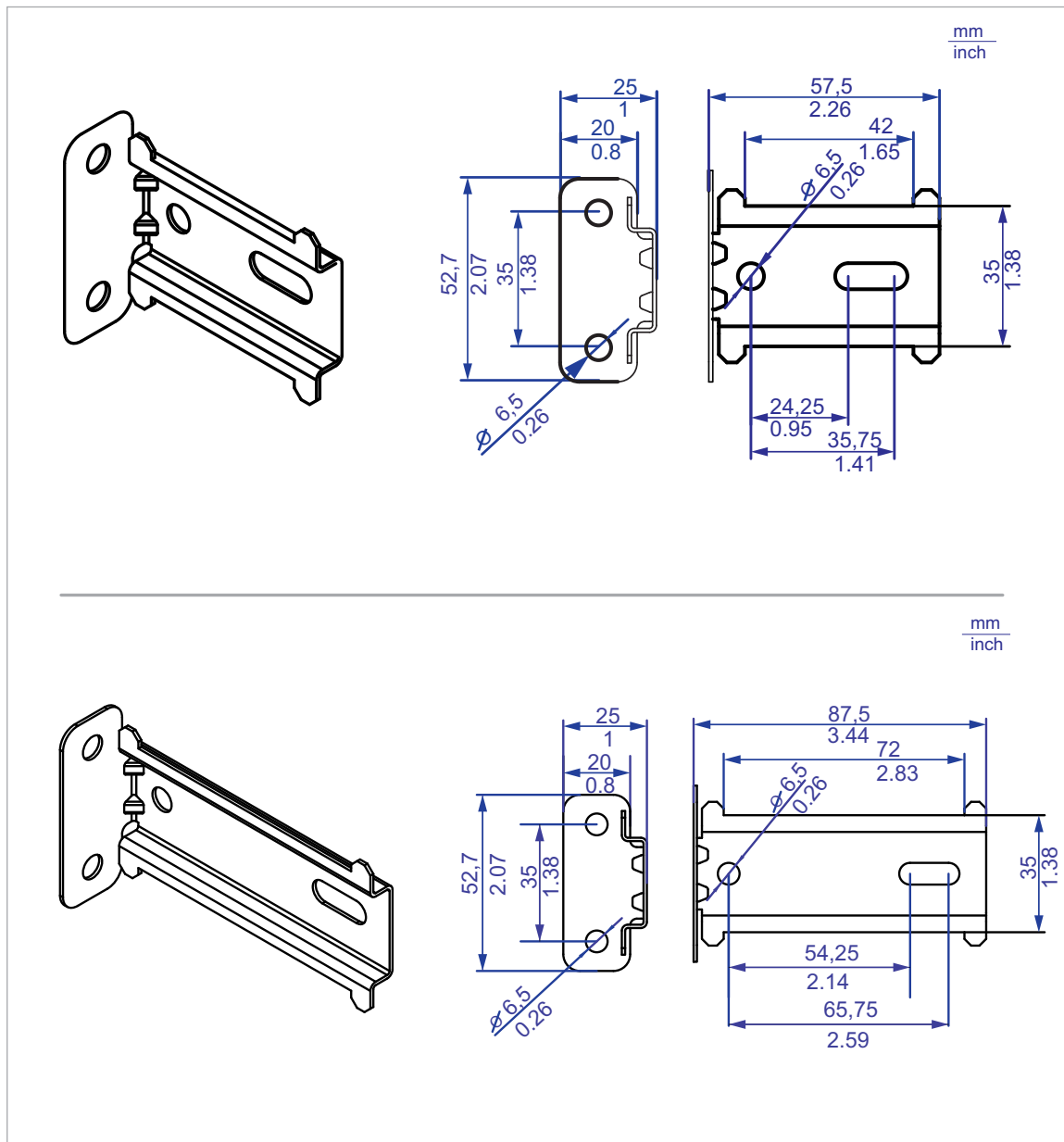
The device is for mounting on a 35 mm DIN rail in accordance with DIN EN 60715.



**Proceed as follows:**

- Slide the upper snap-in guide of the device into the DIN rail.
- Press the media module downwards onto the clip-in bar.
- Snap in the device.

## 4.2.2 Mounting on a flat surface



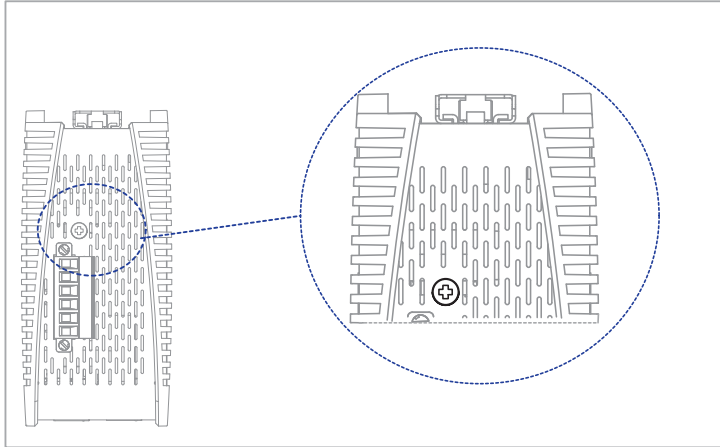
### Proceed as follows:

- Attach the wall mounting plate to a flat surface of the wall using screws. You will find the dimensions necessary for mounting the device in the illustration.
- Mount the device on the wall mounting plate. Insert the upper snap-in guide of the device into the rail and press it down against the rail until it snaps into place.
- ▶ Two models of wall mounting plates are available. See [“Accessories”](#) on page 57.

## 4.3 Grounding the device

### Prerequisite:

Use a wire diameter for the ground conductor that is no smaller than the diameter of the supply voltage connection, however of at least 0.5 mm<sup>2</sup> (AWG20).



### Proceed as follows:

- Ground the device via the ground screw.  
The grounding screw is located on the topside as shown in the illustration.

## 4.4 Installing an SFP transceiver (optional)

### Prerequisites:

Exclusively use Hirschmann SFP transceivers.

See [“Accessories” on page 57](#).

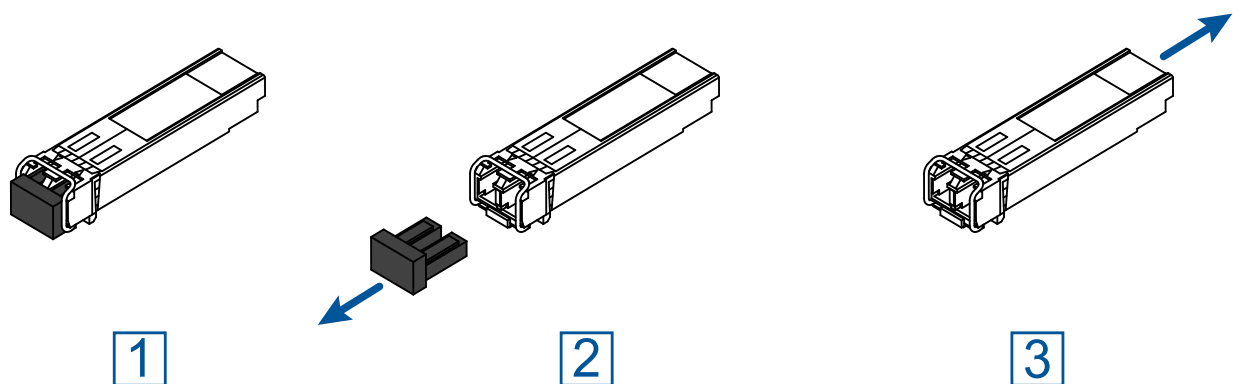


Figure 1: Installing SFP transceivers: Installation sequence

**Proceed as follows:**

- Take the SFP transceiver out of the transport packaging (1).
- Remove the protection cap from the SFP transceiver (2).
- Push the SFP transceiver with the lock closed into the slot until it latches in (3).

## 4.5 Connecting the terminal block

The supply voltage can be connected redundantly. Both inputs are uncoupled. There is no distributed load. With redundant supply, the power supply unit with the higher output voltage supplies the device on its own. The supply voltage is electrically isolated from the housing.

### **WARNING**

#### **ELECTRIC SHOCK**

Connect only a supply voltage that corresponds to the type plate of your device.

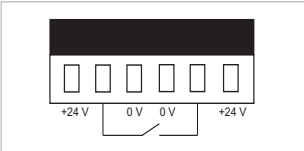
Never insert sharp objects (small screwdrivers, wires, etc.) into the connection terminals for electric conductors, and do not touch the terminals. Observe the maximum values for the contact load of the signal contact.

**Failure to follow this instruction can result in death, serious injury, or equipment damage.**

For the supply voltage to be connected, perform the following steps:

- Remove the terminal connector from the device.
- Connect the wires according to the pin assignment on the device with the clamps.

**Note:** With non-redundant supply voltage, the device reports inoperable supply voltage. You can help prevent this message by applying the supply voltage via both inputs, or by changing the configuration.

Figure	Pin	Function
	1	+ 24 V DC
	2	FAULT
	3	0 V
	4	0 V
	5	FAULT
	6	+ 24 V DC



## 4.6 Operating the device

Perform the following steps to start up the device:

- ▶ [Installing terminal blocks, switching on the supply voltage](#)
- ▶ [Connecting data cables](#)

### 4.6.1 Installing terminal blocks, switching on the supply voltage

- By connecting the supply voltage via the terminal block, you start the operation of the device.

### 4.6.2 Connecting data cables

Note the following general recommendations for data cable connections in environments with high electrical interference levels:

- Keep the length of the data cables as short as possible.
- Use optical data cables for the data transmission between the buildings.
- When using copper cables, provide a sufficient separation between the power supply cables and the data cables. Ideally, install the cables in separate cable channels.
- Verify that power supply cables and data cables do not run parallel over longer distances. If reducing the inductive coupling is necessary, verify that the power supply cables and data cables cross at a 90° angle.
- Use SF/UTP cables as per ISO/IEC 11801:2002.
- Connect the data cables according to your requirements.

## 5 Configuration (optional)

The device is immediately ready for operation with its default settings, from the factory.

The device allows you to change the settings according to your requirements using the USB interface.

You can find the configuration parameters described in a separate overview.

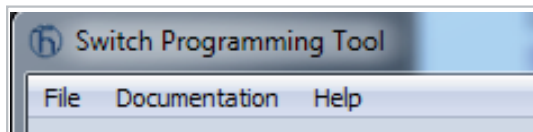
See [table 6 on page 38](#).

### Prerequisite:

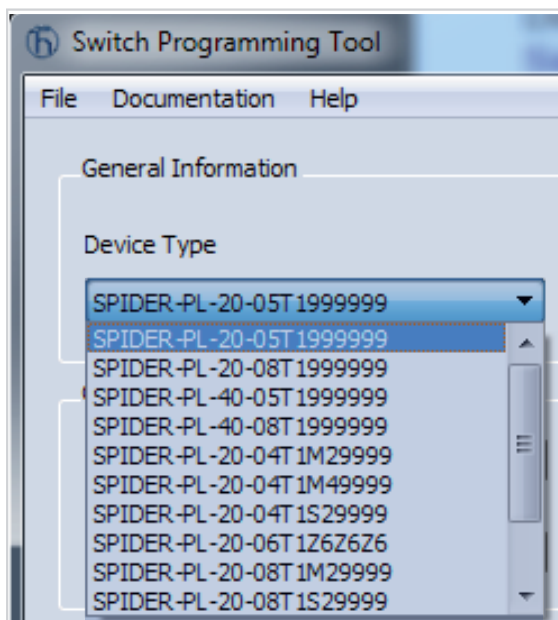
Install the **Switch Programming Tool** on your computer. You can download the software for free on the Internet from the Hirschmann product pages: <http://www.hirschmann.com/en/QR/Switch-Programing-Tool>

Proceed as follows:

- Connect a storage medium to your PC.
- Start the Switch Programming Tool.



- Select your device variant from the drop-down list "Device Type".



- Modify the parameters in the highlighted areas according to your requirements.

Switch Programming Tool

File Documentation Help

**General Information**

Device Type: SPIDER-PL-20-05T 1999999

Serial Number: 942141016

Contact: \_\_\_\_\_

Location: \_\_\_\_\_

**Global Parameters**

Power Supply 1 Alarm: Enable

Power Supply 2 Alarm: Enable

Aging Time (s): 300

QoS 802.1D/p Mapping: [Configure](#)

IP DSCP Mapping: [Configure](#)

**Port Parameters**

Port State: On

Link Alarm: Off

Speed: -

Auto Negotiation: On

Auto Crossing: On

Duplex Mode: FDX

MDI State: MDIX

Rate Limiter: Off

Broadcast Mode: Off

Broadcast Threshold (%): 100

Multicast Mode: Off

Multicast Threshold (%): 100

Jumbo Frames: Off

QoS Trust Mode: untrusted

Port Priority: 0

Energy Efficient Ethernet: Off



PoE State: -

PoE Priority: -

PoE Classes: -

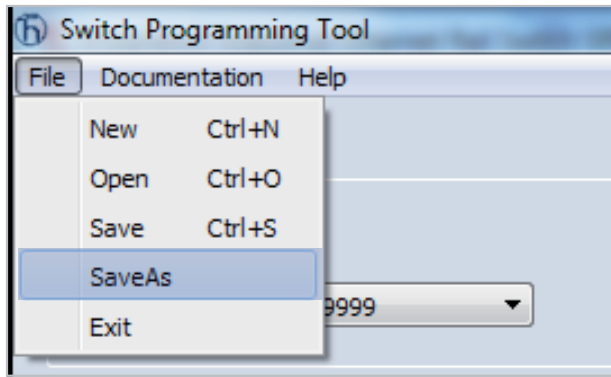
**Active/Configured Port Settings**

	Port State	Link Alarm	Speed	Auto Negotiation	Auto Crossing	Duplex Mode	MDI State	Rate Limiter	Broadcast Mode	Broadcast Threshold	Multicast Mode	Multicast Threshold	Jumbo Frames	QoS Trust Mode	Port Priority	Energy Efficient Ethernet	PoE State	PoE Priority	PoE Classes
Port 1	On	Off	-	On	On	FDX	MDIX	Off	Off	100	Off	100	Off	untrusted	0	Off	-	-	-
Port 2	On	Off	-	On	On	FDX	MDIX	Off	Off	100	Off	100	Off	untrusted	0	Off	-	-	-
Port 3	On	Off	-	On	On	FDX	MDIX	Off	Off	100	Off	100	Off	untrusted	0	Off	-	-	-
Port 4	On	Off	-	On	On	FDX	MDIX	Off	Off	100	Off	100	Off	untrusted	0	Off	-	-	-
Port 5	On	Off	-	On	On	FDX	MDIX	Off	Off	100	Off	100	Off	untrusted	0	Off	-	-	-

Select All TP Port  Deselect All TP Port

- 36  Save the configuration file to the storage medium.



- Disconnect the storage medium from your PC.
- ▶ Transfer the configuration data to your device by following these steps:
  - Verify that the device is switched off.
  - Connect the storage medium to the device.
  - Switch on the device.
  - ▶ The SPIDER device reads the csv file on the storage medium and adopts the settings. During this time, the LED “**LS/DA**” flashes alternately in **yellow/green**.

	Parameter	Values	Default values	Comment	
global	PSU alarm	PSU 1/2 enabled / disabled	PSU 1 / 2 enabled		
	Aging time	Aging time in s	300 s		
	QoS 802.1p mapping	VLAN Priority 0 ... 7 Traffic Class 0 ... 3	VLAN Priority	Traffic Class	
			0	1	
			1	0	
			2	0	
3			1		
4	2				
5	2				
6	3				
7	3				
	QoS DSCP mapping	DSCP value 0 ... 63 Traffic Class 0 ... 3	<a href="#">See "DSCP mapping table" on page 38.</a>		
per port	Flow control	enabled / disabled	disabled		
	Port admin state	enabled / disabled	enabled		
	Jumbo frames	enabled / disabled	disabled	Only on GE ports	
	Broadcast storm protection	enabled / disabled	disabled	Ingress filtering	
	Broadcast storm threshold	0% ... 100%	100%		
	Multicast storm protection	enabled / disabled	disabled	Ingress filtering	
	Multicast storm threshold	0% ... 100%	100%		
	QoS Trust Mode	untrusted, trustDot1p, trustIpdscp	trustDot1	This also includes VLAN 0 mode for Profinet applications.	
	Port based priority	0 .. 7	0		
Link alarm	enabled / disabled	disabled			

Table 5: Configuration parameters

	Parameter	Values	Default values	Comment
per TP port	Autonegotiation	enabled / disabled	enabled	
	Speed	100 Mbit/s, 10 Mbit/s	100 Mbit/s	Only if autonegotiation is disabled, no forced mode 1000 Mbit/s
	Duplex mode	FDX / HDX	FDX	Only if autonegotiation is disabled
	Autocrossing	enabled / disabled	enabled	Only if autonegotiation is disabled
	MDI state	MDI-X	MDI-X	Only if autonegotiation is disabled
	EEE	enabled / disabled	disabled	Only for GE ports
per Fiber port	Duplex mode	FDX / HDX	FDX	

*Table 5: Configuration parameters*

d2/d1	0	1	2	3	4	5	6
0:	1	0	0	1	2	3	3
1:	1	0	0	1	2	3	3
2:	1	0	0	2	2	3	3
3:	1	0	0	2	2	3	3
4:	1	0	1	2	2	3	
5:	1	0	1	2	2	3	
6:	1	0	1	2	2	3	
7:	1	0	1	2	2	3	
8:	0	0	1	2	3	3	
9:	0	0	1	2	3	3	

*Table 6: DSCP mapping table*

## 5.1 Configuration readout

You can read out the configuration using a storage medium.

Proceed as follows:

- Create a text file in the root directory of the storage medium.
  - Rename the text file to “**ShowRunningConfiguration.txt**”.
  - Connect the storage medium to the device.
  - Restart the device by disconnecting the power supply for a moment.
- 
- ▶ When the text file “**ShowRunningConfiguration.txt**” in the root directory of the device is found, the device creates a file with the current configuration.
  - ▶ You find this file in the root directory of the storage medium under the name “**RunningConfig.txt**”.

## **6 Monitoring the ambient air temperature**

Operate the device below the specified maximum ambient air temperature exclusively.

See [“General technical data” on page 45](#).

The ambient air temperature is the temperature of the air at a distance of 2 in (5 cm) from the device. It depends on the installation conditions of the device, for example the distance from other devices or other objects, and the output of neighboring devices.



## 7 Maintenance and service

- ▶ When designing this device, Hirschmann largely avoided using high-wear parts. The parts subject to wear and tear are dimensioned to last longer than the lifetime of the product when it is operated normally. Operate this device according to the specifications.
- ▶ Relays are subject to natural wear. This wear depends on the frequency of the switching operations. Check the resistance of the closed relay contacts and the switching function depending on the frequency of the switching operations.
- ▶ Depending on the degree of pollution in the operating environment, check at regular intervals that the ventilation slots in the device are not obstructed.

**Note:** You find information on settling complaints on the Internet at <http://www.beldensolutions.com/en/Service/Repairs/index.phtml>.

## 8 Disassembly

### 8.1 Removing an SFP transceiver (optional)

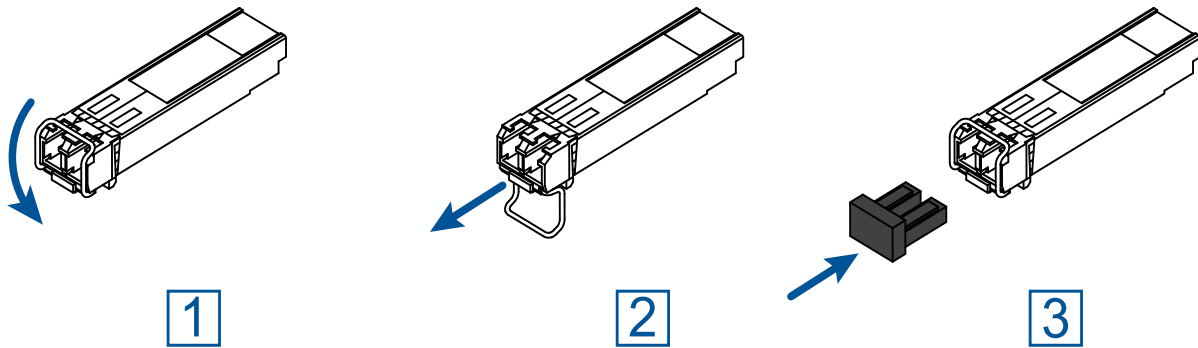


Figure 2: De-installing SFP transceivers: De-installation sequence

Proceed as follows:

- Open the locking mechanism of the SFP transceiver (1).
- Pull the SFP transceiver out of the slot via the open locking mechanism (2).
- Close the SFP transceiver with the protection cap (3).

## 8.2 Removing the device

### **WARNING**

#### **ELECTRIC SHOCK**

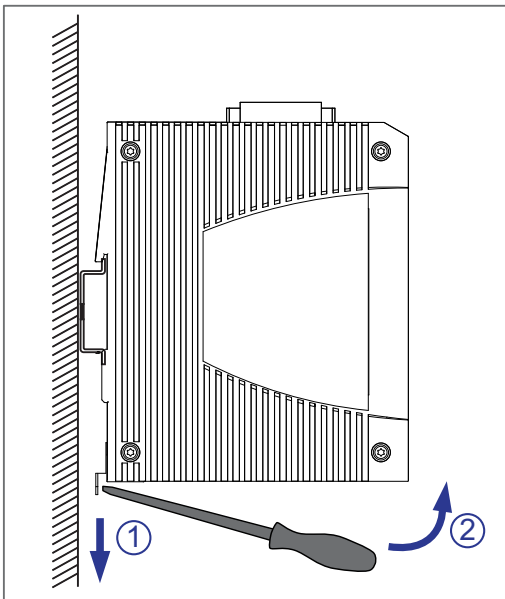
Disconnect the grounding only after disconnecting all other cables.  
**Failure to follow this instruction can result in death, serious injury, or equipment damage.**

To prepare the deinstallation, you proceed as follows:

- Disconnect the data cables.
- Disable the supply voltage.
- Disconnect the terminal blocks.
- Disconnect the grounding.

To remove the device from the DIN rail, you proceed as follows:

- Insert a screwdriver horizontally below the casing into the locking gate.
- Without tilting the screwdriver, pull the locking gate down and tilt the device upwards.



■ **Device variants SPIDER PL-20-16T1... , SPIDER PL-20-24T1... , SPIDER PL-30-24T1...**

**⚠ WARNING**

**ELECTRIC SHOCK**

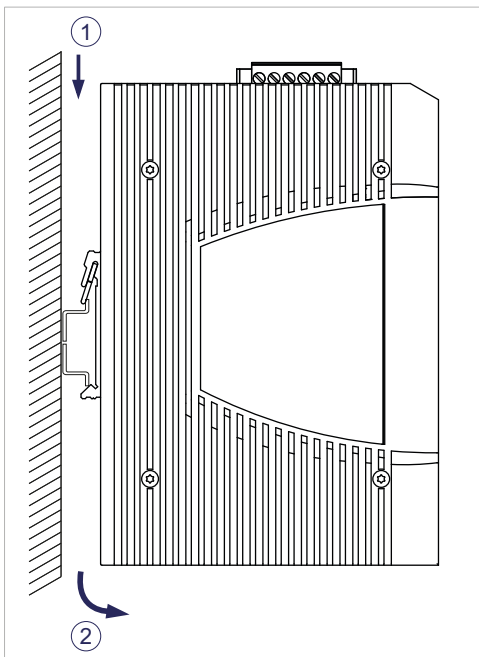
Disconnect the grounding only after disconnecting all other cables.  
**Failure to follow this instruction can result in death, serious injury, or equipment damage.**

To prepare the deinstallation, you proceed as follows:

- Disconnect the data cables.
- Disable the supply voltage.
- Disconnect the terminal blocks.
- Disconnect the grounding.

To remove the device from the DIN rail, you proceed as follows:

- Press the device downwards and pull it out from under the DIN rail.



# 9 Technical data

## 9.1 General technical data

Dimensions W × H × D	SPIDER-PL-20...	See "Dimension drawings" on page 47.
	SPIDER-PL-30...	
	SPIDER-PL-40...	
Weight	SPIDER-PL-20-05T1999999TY9HHHH	14.11 oz (400 g)
	SPIDER-PL-20-01T1M299999TY9HHHH	13.7 oz (390 g)
	SPIDER-PL-20-01T1S299999TY9HHHH	13.7 oz (390 g)
	SPIDER-PL-20-04T1M299999TY9HHHH	13.83 oz (430 g)
	SPIDER-PL-20-04T1M499999TY9HHHH	14.11 oz (400 g)
	SPIDER-PL-20-04T1S299999TY9HHHH	14.11 oz (400 g)
	SPIDER-PL-20-06T1Z6Z6Z6TY9HHHH	18.70 oz (530 g)
	SPIDER-PL-20-07T1S2S299TY9HHHH	17.99 oz (510 g)
	SPIDER-PL-20-07T1M2M299TY9HHHH	17.99 oz (510 g)
	SPIDER-PL-20-08T1M299999TY9HHHH	17.64 oz (500 g)
	SPIDER-PL-20-08T1S299999TY9HHHH	17.64 oz (500 g)
	SPIDER-PL-20-08T1999999TY9HHHH	13.83 oz (430 g)
	SPIDER-PL-20-16T1999999TZ9HHHV	34.7 oz (986 g)
	SPIDER-PL-20-24T1Z6Z699TZ9HHHV	40.2 oz (1140 g)
	SPIDER-PL-30-24T1O6O699TZ9HHHV	40.2 oz (1140 g)
	SPIDER-PL-40-01T1O699999TY9HHHH	14.11 oz (400 g)
	SPIDER-PL-40-04T1O699999TY9HHHH	14.6 oz (415 g)
	SPIDER-PL-40-05T1999999TY9HHHH	14.46 oz (410 g)
SPIDER-PL-40-08T1999999TY9HHHH	14.48 oz (450 g)	
Power supply	Configuration: Hirschmann standard (characteristic value HH)	
	Rated voltage	12 V DC ... 24 V DC
	Voltage range incl. maximum tolerances	9.6 V DC ... 32 V DC
	Configuration: Extended voltage range (characteristic value HV)	
	Rated voltage	12 V DC ... 48 V DC
	Voltage range incl. maximum tolerances	9.6 V DC ... 60 V DC
	Rated voltage range	18 V AC ... 30 V AC
	Connection type	6-pin terminal block for the supply voltage
		Tightening torque 4.5 lb-in (0.51 Nm)
		Power loss buffer > 10 ms
	Back-up fuse ≤ 4 A, slow blow	
Signal contact "FAULT"	Switching current	max. 1 A, SELV
	Switching voltage	max. 60 V DC or max. 30 V AC, SELV

Climatic conditions during operation	Ambient air temperature <sup>a</sup>	-40 °F ... +158 °F (-40 °C ... +70 °C) Derating <sup>b</sup>
	Humidity	10 % ... 95 %
	Air pressure	min. 700 hPa (+9842 ft; +3000 m)
Climatic conditions during storage	Ambient air temperature <sup>a</sup>	-40 °F ... +185 °F (-40 °C ... +85 °C)
	Humidity	10 % ... 95 % (non-condensing)
	Air pressure	min. 700 hPa (+9842 ft; +3000 m)
Pollution degree		2
Protection classes	Laser protection	Class 1 in compliance with IEC 60825-1
	Degree of protection	IP40

- a. Temperature of the ambient air at a distance of 2 in (5 cm) from the device
- b. For the device variant SPIDER PL-20-06T1Z6Z6Z6..., the maximum permitted ambient air temperature has to be reduced to +140 °F (+60 °C).

## 9.2 Dimension drawings

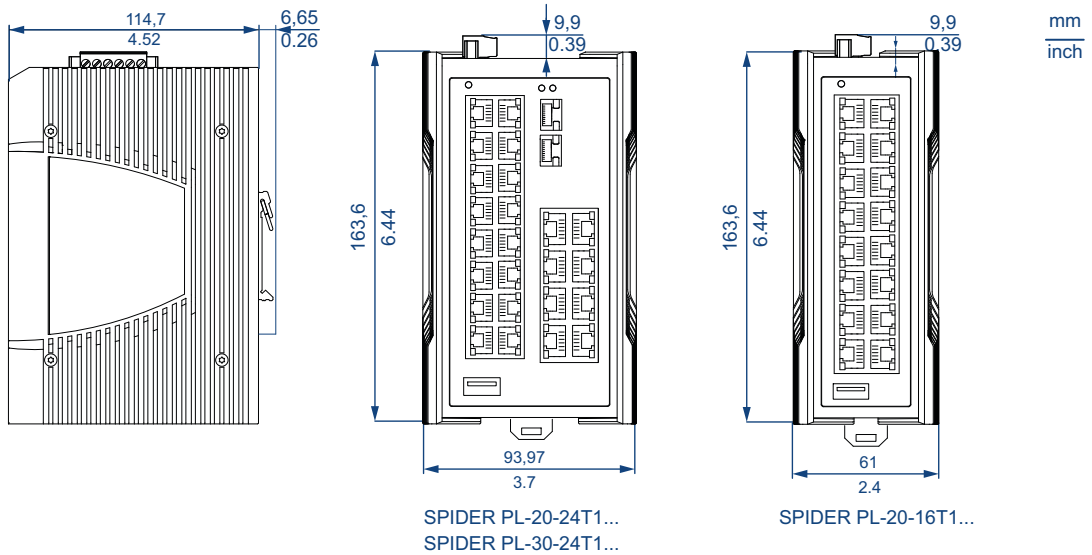
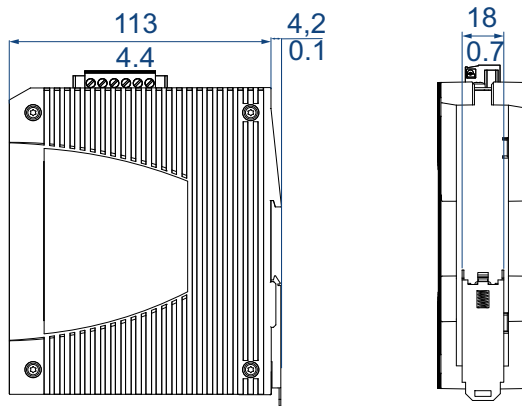
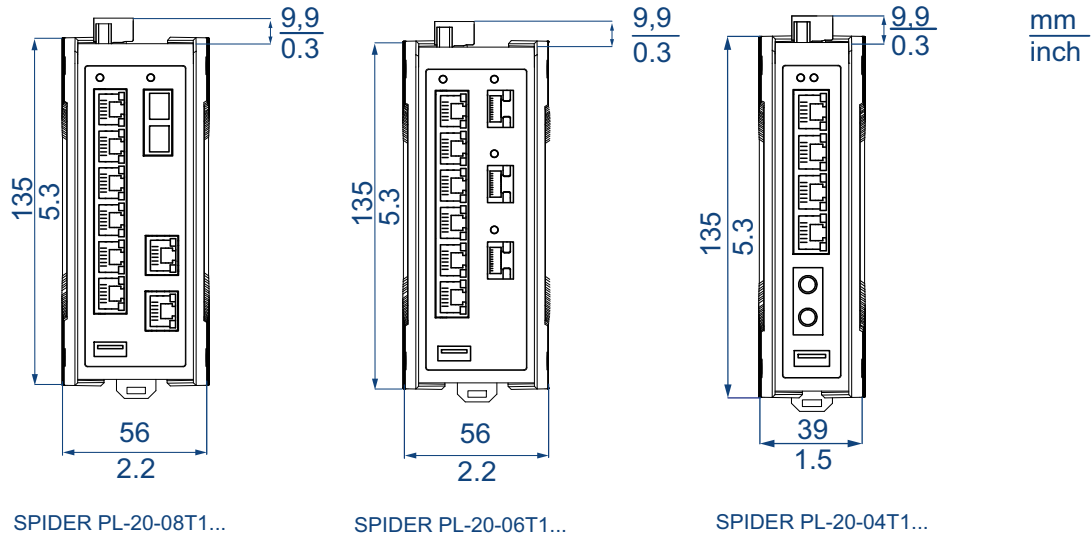


Figure 3: Dimensions of device variants SPIDER PL-20... and SPIDER PL-30...

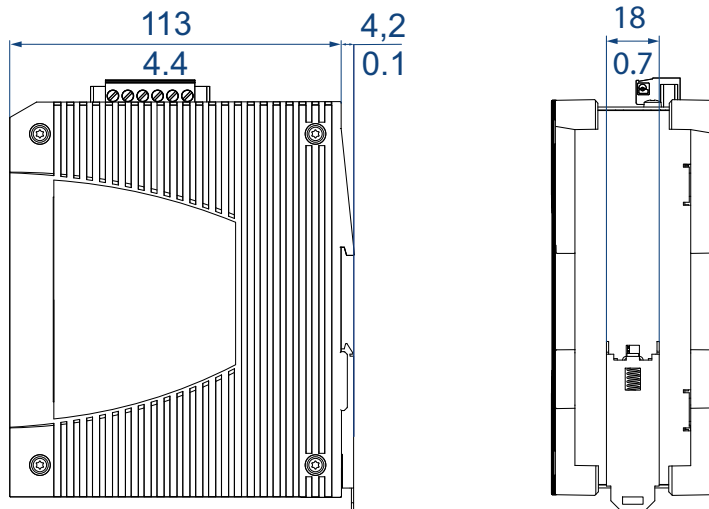
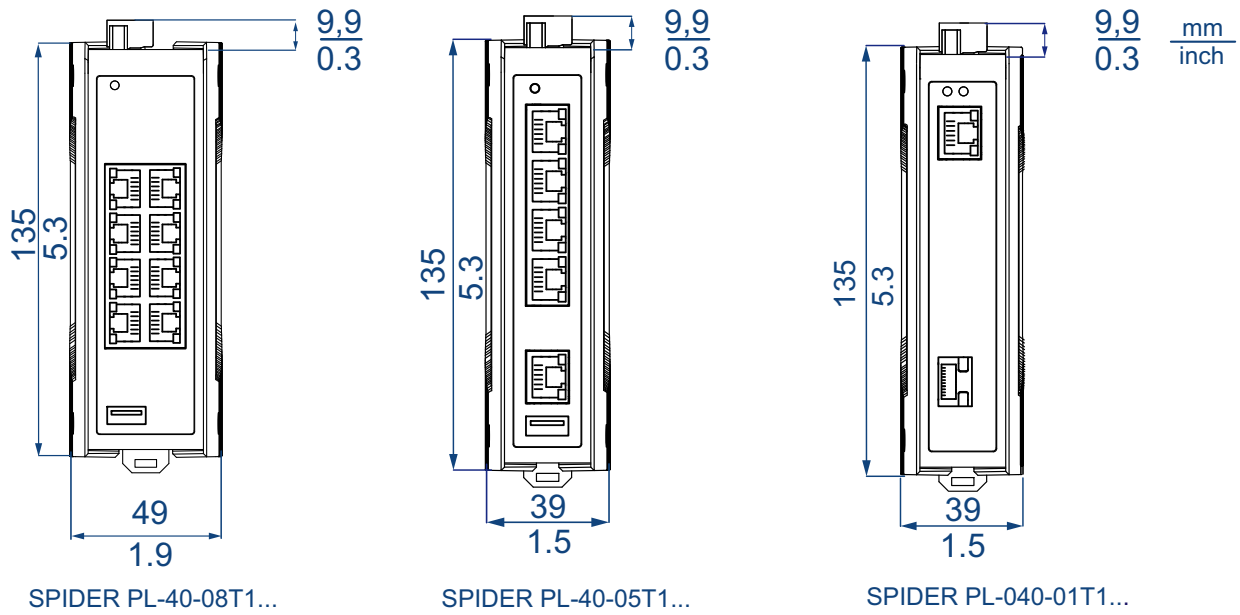


Figure 4: Dimensions of device variants SPIDER-PL-40...



## 9.3 Stability

Stability		Standard applications <sup>a</sup>	Marine applications <sup>b</sup>	Railway applications (trackside) <sup>c</sup>	Sub-station applications <sup>d</sup>
IEC 60068-2-6, test Fc	Vibration	5 Hz ... 8.4 Hz with 0.14 in. (3.5 mm) amplitude	2 Hz ... 13.2 Hz with 0.04 in (1 mm) amplitude	—	2 Hz ... 9 Hz with 0.11 in (3 mm) amplitude
		8.4 Hz ... 150 Hz with 1 g	13.2 Hz ... 200 Hz with 0.7 g	—	9 Hz ... 200 Hz with 1 g
		—	—	—	200 Hz ... 500 Hz with 1.5 g
IEC 60068-2-27, test Ea	Shock	15 g at 11 ms	—	—	10 g at 11 ms

## 9.4 Electromagnetic compatibility (EMC)

EMC interference emission		Standard applications <sup>a</sup>	Merchant Navy <sup>b</sup>	Railway applications (trackside) <sup>c</sup>	Sub-station applications <sup>d</sup>
<b>Radiated emission</b>					
EN 55032		Class A	Class A	Class A	Class A
DNV GL Guidelines		—	EMC 1	—	—
FCC 47 CFR Part 15		Class A	Class A	Class A	Class A
EN 61000-6-4		Fulfilled	Fulfilled	Fulfilled	Fulfilled
<b>Conducted emission</b>					
EN 55032	Supply connection	Class A	Class A	Class A	Class A
DNV GL Guidelines	Supply connection	—	EMC 1	—	—
FCC 47 CFR Part 15	Supply connection	Class A	Class A	Class A	Class A
EN 61000-6-4	Supply connection	Fulfilled	Fulfilled	Fulfilled	Fulfilled
EN 55032	Telecommunication connections	Class A	Class A	Class A	Class A
EN 61000-6-4	Telecommunication connections	Fulfilled	Fulfilled	Fulfilled	Fulfilled

a. EN 61131-2, CE, FCC – applies to all devices

b. Merchant Navy – applies to devices with the approval codes WU, U9, UY, UX, UT, VU

c. EN 50121-4 – applies to devices with the approval codes UT, T9, TY, VT, R9, RT, RY

d. EN 61850-3, IEEE 1613 – applies to devices with the approval codes V9, VY, VU, VT, R9

EMC interference immunity		Standard applications <sup>a</sup>	Marine applications <sup>b</sup>	Railway applications (trackside) <sup>c</sup>	Sub-station applications <sup>d</sup>
<b>Electrostatic discharge</b>					
EN 61000-4-2	Contact discharge	±4 kV	±6 kV	±6 kV	±8 kV
IEEE C37.90.3					
EN 61000-4-2	Air discharge	±8 kV	±8 kV	±8 kV	±15 kV
IEEE C37.90.3					

<b>EMC interference immunity</b>		<b>Standard applications<sup>a</sup></b>	<b>Marine applications<sup>b</sup></b>	<b>Railway applications (trackside)<sup>c</sup></b>	<b>Sub-station applications<sup>d</sup></b>
<b>Electromagnetic field</b>					
EN 61000-4-3		10 V/m	10 V/m	20 V/m	10 V/m
IEEE 1613		—	—	—	35 V/m
<b>Fast transients (burst)</b>					
EN 61000-4-4	Supply connection	±2 kV	±2 kV	±2 kV	±4 kV
IEEE C37.90.1					
EN 61000-4-4	Data line	±4 kV	±4 kV	±2 kV	±4 kV
IEEE C37.90.1					
<b>Voltage surges - DC supply connection</b>					
EN 61000-4-5	line/ground	±2 kV	±2 kV	±2 kV	±2 kV
IEEE 1613	line/ground	—	—	—	±5 kV
EN 61000-4-5	line/line	±1 kV	±1 kV	±1 kV	±1 kV
<b>Voltage surges - data line</b>					
EN 61000-4-5	line/ground	±1 kV	±1 kV	±2 kV	±2 kV
<b>Conducted disturbances</b>					
EN 61000-4-6	150 kHz ... 80 MHz	10 V	10 V	10 V	10 V
<b>Damped oscillation – DC supply connection</b>					
EN 61000-4-12	line/ground	—	—	—	2.5 kV
IEEE C37.90.1					
EN 61000-4-12	line/line	—	—	—	1 kV
IEEE C37.90.1					
<b>Damped oscillation – data line</b>					
EN 61000-4-12	line/ground	—	—	—	2.5 kV
IEEE C37.90.1					
EN 61000-4-12	line/line	—	—	—	±1 kV
<b>Pulse magnetic field</b>					
EN 61000-4-9		—	—	300 A/m	—

## 9.5 Network range

**Note:** The line lengths specified for the transceivers apply for the respective fiber data (fiber attenuation and BLP/dispersion).

Product code M-SFP-...	Mode <sup>a</sup>	Wave length	Fiber	System attenuation	Example for F/O cable length <sup>b</sup>	Fiber attenuation	BLP <sup>c</sup> /Dispersion
-SX/LC...	MM	850 nm	50/125 μm	0 dB ... 7.5 dB	0 mi ... 0.34 mi (0 km ... 0.55 km)	3.0 dB/km	400 MHz×km
-SX/LC...	MM	850 nm	62.5/125 μm	0 dB ... 7.5 dB	0 mi ... 0.17 mi (0 km ... 0.275 km)	3.2 dB/km	200 MHz×km
-MX/LC EEC	MM	1310 nm	50/125 μm	0 dB ... 12 dB	0 mi ... 0.93 mi (0 km ... 1.5 km)	1.0 dB/km	800 MHz×km
-MX/LC EEC	MM	1310 nm	62.5/125 μm	0 dB ... 12 dB	0 mi ... 0.31 mi (0 km ... 0.5 km)	1.0 dB/km	500 MHz×km
-LX/LC...	MM	1310 nm <sup>d</sup>	50/125 μm	0 dB ... 10.5 dB	0 mi ... 0.34 mi (0 km ... 0.55 km)	1.0 dB/km	800 MHz×km
-LX/LC...	MM	1310 nm <sup>e</sup>	62.5/125 μm	0 dB ... 10.5 dB	0 mi ... 0.34 mi (0 km ... 0.55 km)	1.0 dB/km	500 MHz×km
-LX/LC...	SM	1310 nm	9/125 μm	0 dB ... 10.5 dB	0 mi ... 12.43 mi (0 km ... 20 km) <sup>f</sup>	0.4 dB/km	3.5 ps/(nm×km)
-LX+/LC...	SM	1310 nm	9/125 μm	5 dB ... 20 dB	8.70 mi ... 26.10 mi (14 km ... 42 km)	0.4 dB/km	3.5 ps/(nm×km)
-LH/LC...	LH	1550 nm	9/125 μm	5 dB ... 22 dB	14.29 mi ... 49.71 mi (23 km ... 80 km)	0.25 dB/km	19 ps/(nm×km)
-LH+/LC	LH	1550 nm	9/125 μm	15 dB ... 30 dB	44.12 mi ... 67.11 mi (71 km ... 108 km)	0.25 dB/km	19 ps/(nm×km)
-LH+/LC	LH	1550 nm	9/125 μm	15 dB ... 30 dB	44.12 mi ... 79.54 mi (71 km ... 128 km)	0.21 dB/km (typically)	19 ps/(nm×km)

*Table 7: F/O port 1000BASE-FX (SFP fiber optic Gigabit Ethernet Transceiver)*

a. MM = Multimode, SM = Singlemode, LH = Singlemode Longhaul

b. Including 3 dB system reserve when compliance with the fiber data is observed.

- c. Using the bandwidth-length product is inappropriate for expansion calculations.
- d. With F/O adapter compliant with IEEE 802.3-2002 Clause 38 (single-mode fiber offset-launch mode conditioning patch cord).
- e. With F/O adapter compliant with IEEE 802.3-2002 Clause 38 (single-mode fiber offset-launch mode conditioning patch cord).
- f. Including 2.5 dB system reserve when compliance with the fiber data is observed.

Product code	Mode <sup>a</sup>	Wave length TX	Wave length RX	Fiber	System attenuation	Example for F/O cable length <sup>b</sup>	Fiber attenuation	Dispersion
M-SFP-BIDI... Type A LX/LC EEC	SM	1310 nm	1550 nm	9/125 µm	0 dB ... 11 dB	0 km ... 12.43 mi (0 km ... 20 km)	0.4 dB/km	3.5 ps/(nm×km)
Type B LX/LC EEC	SM	1550 nm	1310 nm	9/125 µm	0 dB ... 11 dB	0 mi ... 12.43 mi (0 km ... 20 km)	0.25 dB/km	19 ps/(nm×km)
Type A LH/LC EEC	LH	1490 nm	1590 nm	9/125 µm	5 dB ... 24 dB	14.29 mi ... 49.71 mi (23 km ... 80 km)	0.25 dB/km	19 ps/(nm×km)
Type B LH/LC EEC	LH	1590 nm	1490 nm	9/125 µm	5 dB ... 24 dB	14.29 mi ... 49.71 mi (23 km ... 80 km)	0.25 dB/km	19 ps/(nm×km)

**Table 8:** F/O port (bidirectional Gigabit Ethernet SFP Transceiver)

- a. MM = Multimode, SM = Singlemode, LH = Singlemode Longhaul
- b. Including 3 dB system reserve when compliance with the fiber data is observed.

Product code	Mode <sup>a</sup>	Wave length	Fiber	System attenuation	Example for F/O cable length <sup>b</sup>	Fiber attenuation	BLP/Dispersion
M-FAST-SFP-... -MM/LC...	MM	1310 nm	50/125 µm	0 dB ... 8 dB	0 mi ... 3.11 mi (0 km ... 5 km)	1.0 dB/km	800 MHz×km
-MM/LC...	MM	1310 nm	62.5/125 µm	0 dB ... 11 dB	0 mi ... 2.49 mi (0 km ... 4 km)	1.0 dB/km	500 MHz×km
-SM/LC...	SM	1310 nm	9/125 µm	0 dB ... 13 dB	0 mi ... 15.53 mi (0 km ... 25 km)	0.4 dB/km	3.5 ps/(nm×km)
-SM+/LC...	SM	1310 nm	9/125 µm	10 dB ... 29 dB	15.53 mi ... 40.39 mi (25 km ... 65 km)	0.4 dB/km	3.5 ps/(nm×km)

**Table 9:** Fiber port 100BASE-FX (SFP fiber optic Fast Ethernet Transceiver)

Product code M-FAST-SFP-...	Mode <sup>a</sup>	Wave length	Fiber	System attenuation	Example for F/O cable length <sup>b</sup>	Fiber attenuation	BLP/Dispersion
-LH/LC...	SM	1550 nm	9/125 μm	10 dB ... 29 dB	29.20 mi ... 64.62 mi (47 km ... 104 km)	0.25 dB/km	19 ps/(nm×km)
-LH/LC...	SM	1550 nm	9/125 μm	10 dB ... 29 dB	14.29 mi ... 86.99 mi (55 km ... 140 km)	0.18 dB/km <sup>c</sup>	18 ps/(nm×km)

Table 9: Fiber port 100BASE-FX (SFP fiber optic Fast Ethernet Transceiver)

- a. MM = Multimode, SM = Singlemode, LH = Singlemode Longhaul  
b. Including 3 dB system reserve when compliance with the fiber data is observed.  
c. With ultra-low-loss optical fiber.

Product code	Mode <sup>a</sup>	Wave length	Fiber	System attenuation	Example for F/O cable length <sup>b</sup>	Fiber attenuation	BLP/Dispersion
-M2, -M4	MM	1300 nm	50/125 μm	0 dB ... 8 dB	0 mi ... 3.11 mi (0 km ... 5 km)	1.0 dB/km	800 MHz×km
-M2, -M4	MM	1300 nm	62.5/125 μm	0 dB ... 11 dB	0 mi ... 2.49 mi (0 km ... 4 km)	1.0 dB/km	500 MHz×km
-S2	SM	1300 nm	9/125 μm	0 dB ... 16 dB	0 mi ... 18.64 mi (0 km ... 30 km)	0.4 dB/km	3.5 ps/(nm×km)

Table 10: F/O port 100BASE-FX

- a. MM = Multimode, SM = Singlemode, LH = Singlemode Longhaul  
b. Including 3 dB system reserve when compliance with the fiber data is observed.

10/100/1000 Mbit/s twisted pair port	
Length of a twisted pair segment	max. 328 ft (100 m) (for Cat5e cable)

Table 11: Network range: 10/100/1000 Mbit/s twisted pair port

## 9.6 Power consumption/power output

No.	Device name	Maximum power consumption	Maximum power output
1	SPIDER PL-20-01.....HH-..	3.8 W	13.1 Btu (IT)/h
2	SPIDER PL-20-01.....HV-..	4.4 W	15.1 Btu (IT)/h
3	SPIDER PL-20-04.....HH-..	4.3 W	14.7 Btu (IT)/h
4	SPIDER PL-20-04.....HV-..	4.9 W	16.7 Btu (IT)/h
5	SPIDER PL-20-05.....HH-..	2.4 W	8.0 Btu (IT)/h
6	SPIDER PL-20-05.....HV-..	3.0 W	10.4 Btu (IT)/h
7	SPIDER PL-20-06.....HH-..	9.0 W	30.7 Btu (IT)/h
8	SPIDER PL-20-06.....HV-..	8.6 W	29.5 Btu (IT)/h
9	SPIDER PL-20-07.....HH-..	6.9 W	23.7 Btu (IT)/h
10	SPIDER PL-20-07.....HV-..	6.9 W	23.5 Btu (IT)/h
11	SPIDER PL-20-08...2.....HH-..	5.0 W	16.9 Btu (IT)/h
12	SPIDER PL-20-08...2.....HV-..	5.2 W	17.7 Btu (IT)/h
13	SPIDER PL-20-08..99.....HH-..	2.6 W	8.8 Btu (IT)/h
14	SPIDER PL-20-08..99.....HV-..	3.1 W	10.6 Btu (IT)/h
15	SPIDER PL-20-16..99.....HV-..	5.1 W	17.2 Btu (IT)/h
16	SPIDER PL-20-24..99.....HV-..	8.4 W	28.5 Btu (IT)/h
17	SPIDER PL-30-24..99.....HV-..	8.4 W	28.5 Btu (IT)/h
18	SPIDER PL-40-01.....HH-..	4.0 W	13.8 Btu (IT)/h
19	SPIDER PL-40-01.....HV-..	4.7 W	16.0 Btu (IT)/h
20	SPIDER PL-40-04.....HH-..	5.9 W	20.0 Btu (IT)/h
21	SPIDER PL-40-04.....HV-..	6.1 W	21.0 Btu (IT)/h
22	SPIDER PL-40-05.....HH-..	4.3 W	14.8 Btu (IT)/h
23	SPIDER PL-40-05.....HV-..	5.0 W	17.0 Btu (IT)/h
24	SPIDER PL-40-08.....HH-..	6.0 W	20.4 Btu (IT)/h
25	SPIDER PL-40-08.....HV-..	7.9 W	26.8 Btu (IT)/h

Table 12: Power consumption/power output of the device variants SPIDER PL-20... , SPIDER PL-30... and SPIDER PL-40... .

# 10 Scope of delivery, order numbers and accessories

## ■ Scope of delivery

Number	Scope of delivery
1 ×	Device
1 ×	Terminal block for supply voltage and signal contact
1 ×	General safety instructions

## ■ Order number

Device	Order number
SPIDER PL-20-01T1M29999TY9HHHH	942141022
SPIDER PL-20-01T1S29999TY9HHHH	942141023
SPIDER PL-20-04T1M29999TY9HHHH	942141024
SPIDER PL-20-04T1M49999TY9HHHH	942141025
SPIDER PL-20-04T1S29999TY9HHHH	942141026
SPIDER PL-20-05T199999TY9HHHH	942141016
SPIDER PL-20-06T1Z6Z6Z6TY9HHHH	942141027
SPIDER PL-20-07T1M2M299TY9HHHH	942141030
SPIDER PL-20-07T1S2S299TY9HHHH	942141031
SPIDER PL-20-08T1M29999TY9HHHH	942141028
SPIDER PL-20-08T199999TY9HHHH	942141017
SPIDER PL-20-08T1S29999TY9HHHH	942141029
SPIDER PL-20-16T199999TZ9HHHV	942141018
SPIDER PL-20-24T1Z6Z699TZ9HHHV	942141032
SPIDER PL-40-01T1O69999TY9HHHH	942141033
SPIDER PL-40-04T1O69999TY9HHHH	942141034
SPIDER PL-40-05T199999TY9HHHH	942141019
SPIDER PL-40-08T199999TY9HHHH	942141020
SPIDER PL-20-01T1M29999TX9HHHH	942141122
SPIDER PL-20-01T1S29999TX9HHHH	942141123
SPIDER PL-20-04T1M29999TX9HHHH	942141124
SPIDER PL-20-04T1M49999TX9HHHH	942141125
SPIDER PL-20-04T1S29999TX9HHHH	942141126
SPIDER PL-20-05T199999TX9HHHH	942141116
SPIDER PL-20-06T1Z6Z6Z6TX9HHHH	942141127
SPIDER PL-20-07T1M2M299TX9HHHH	942141130
SPIDER PL-20-07T1S2S299TX9HHHH	942141131
SPIDER PL-20-08T1M29999TX9HHHH	942141128
SPIDER PL-20-08T199999TX9HHHH	942141117
SPIDER PL-20-08T1S29999TX9HHHH	942141129
SPIDER PL-40-01T1O69999TX9HHHH	942141133
SPIDER PL-40-04T1O69999TX9HHHH	942141134
SPIDER PL-40-05T199999TX9HHHH	942141119
SPIDER PL-40-08T199999TX9HHHH	942141120



## ■ Accessories

Note that products recommended as accessories may have different characteristics to those of the device, which may limit the application range of the overall system. For example, if you add an accessory with IP20 to a device with IP65, the degree of protection of the overall system is reduced to IP20.

Other accessories	Order number
6-pin terminal block (50 pcs.)	943 845-013
Rail Power Supply RPS 30	943 662-003
Rail Power Supply RPS 80 EEC	943 662-080
Rail Power Supply RPS 120 EEC (CC)	943 662-121
Wall mounting plate for DIN rail mounting, width 1.58 in. (40 mm)	942 177-001
Wall mounting plate for DIN rail mounting, width 2.76 in. (70 mm)	942 177-002

Fast-Ethernet-SFP-Transceiver	Order number
M-FAST SFP-TX/RJ45	942 098-001
M-FAST SFP-TX/RJ45 EEC	942 098-002
M-FAST SFP-MM/LC	943 865-001
M-FAST SFP-MM/LC EEC	943 945-001
M-FAST SFP-SM/LC	943 866-001
M-FAST SFP-SM/LC EEC	943 946-001
M-FAST SFP-SM+/LC	943 867-001
M-FAST SFP-SM+/LC EEC	943 947-001
M-FAST SFP-LH/LC	943 868-001
M-FAST SFP-LH/LC EEC	943 948-001
SFP-FAST-MM/LC <sup>a</sup>	942 194-001
SFP-FAST-MM/LC EEC <sup>a</sup>	942 194-002
SFP-FAST-SM/LC <sup>a</sup>	942 195-001
SFP-FAST-SM/LC EEC <sup>a</sup>	942 195-002

- a. You find further information on certifications on the Internet at the Hirschmann product pages ([www.hirschmann.com](http://www.hirschmann.com)).

Bidirectional Gigabit Ethernet SFP transceiver	Order number
M-SFP-BIDI Type A LX/LC EEC	943 974-001
M-SFP-BIDI Type B LX/LC EEC	943 974-002
M-SFP-BIDI Type A LH/LC EEC	943 975-001
M-SFP-BIDI Type B LH/LC EEC	943 975-002
M-SFP-BIDI Bundle LX/LC EEC (type A + B)	943 974-101
M-SFP-BIDI Bundle LH/LC EEC (type A + B)	943 975-101

Gigabit Ethernet SFP transceiver	Order number
M-SFP-TX/RJ45	943 977-001
M-SFP-SX/LC	943 014-001
M-SFP-SX/LC EEC	943 896-001
M-SFP-MX/LC EEC	942 108-001
M-SFP-LX/LC	943 015-001

<b>Gigabit Ethernet SFP transceiver</b>	<b>Order number</b>
M-SFP-LX/LC EEC	943 897-001
M-SFP-LX+/LC	942 023-001
M-SFP-LX+/ LC EEC	942 024-001
M-SFP-LH/LC	943 042-001
M-SFP-LH/LC EEC	943 898-001
M-SFP-LH+/LC	943 049-001
SFP-GIG-LX/LC <sup>a</sup>	942 196-001
SFP-GIG-LX/LC EEC <sup>a</sup>	942 196-002

- a. You find further information on certifications on the Internet at the Hirschmann product pages ([www.hirschmann.com](http://www.hirschmann.com)).

# 11 Underlying technical standards

Standard	
ATEX (2014/34/EU)	ATEX – Intended use of equipment and protection systems in potentially explosive areas.
CSA C22.2 No. 142	Canadian National Standard(s) – Process Control Equipment – Industrial Products
CAN/CSA C22.2 No. 213	Non-incendive Electrical Equipment for Use in Class I, Division 2 Hazardous Locations.
ANSI/ISA 12.12.01	Non-incendive Electrical Equipment for Use in Class I, Division 2 Hazardous Locations
ECE No. 10	E type approval for use in vehicles
FCC 47 CFR Part 15	Code of Federal Regulations
DNVGL-CG-0339	Environmental test specification for electrical, electronic and programmable equipment and systems.
IEC/EN 61850-3	Communication networks and systems for power utility automation - Part 3: General requirements.
IEC 60825-1	Laser product safety
IEEE 1613	IEEE Standard Environmental and Testing Requirements for Communication Networking Devices in Electric Power Substations
EN 50121-4	Railway applications – EMC – Emission and immunity of the signaling and telecommunications apparatus (Rail Trackside)
EN 55032	Electromagnetic compatibility of multimedia equipment – Emission Requirements
EN 60950-1	Information technology equipment – Safety – Part 1: General requirements
EN 60950-22	Installations of IT equipment – Security – Part 22: Outdoor equipments
EN 61131-2	Programmable controllers – Part 2: Equipment requirements and tests
UL/IEC 61010-2-201	Safety for Control Equipment
NEMA TS 2	Traffic Controller Assemblies with NTCIP Requirements (environmental requirements)
RCM	Australian Regulatory Compliance Mark (RCM) Australian Radiocommunications Standard 2008, Radiocommunications Act 1992

*Table 13: List of the technical standards*

The device has an approval based on a specific standard only if the approval indicator appears on the device casing.

If your device has a shipping approval according to DNV GL, you find the approval mark printed on the device label. You will find out whether your device has other shipping approvals on the Hirschmann website at [www.hirschmann.com](http://www.hirschmann.com) in the product information.

The device generally fulfills the technical standards named in their current versions.

## **A Open Source Software used in the product**

The product contains, among other things, Open Source Software files, as defined below, developed by third parties and licensed under an Open Source Software license.

These Open Source Software files are protected by copyright. Your right to use the Open Source Software is governed by the relevant applicable Open Source Software license conditions

Your compliance with those license conditions will entitle you to use the Open Source Software as foreseen in the relevant license. In the event of conflicts between other Hirschmann Automation and Control GmbH license conditions applicable to the product and the Open Source Software license conditions, the Open Source Software conditions shall prevail. The Open Source Software is provided royalty-free (i.e. no fees are charged for exercising the licensed rights). Open Source Software contained in this product and the respective Open Source Software licenses are stated below.

If Open Source Software contained in this product is licensed under GNU General Public License (GPL), GNU Lesser General Public License (LGPL), Mozilla Public License (MPL) or any other Open Source Software license, which requires that source code is to be made available and such source code is not already delivered together with the product, you can order the corresponding source code of the Open Source Software from Hirschmann Automation and Control GmbH - against payment of the shipping and handling charges - for a period of at least 3 years since purchase of the product. Please send your specific request, within three years of the purchase date of this product, together with the name and ID number of the product to be found at the label of the product to:

Hirschmann Automation and Control GmbH  
Head of R&D  
Stuttgarter Str. 45-51  
72654 Neckartenzlingen  
Germany

### **Warranty regarding further use of the Open Source Software**

Hirschmann Automation and Control GmbH provides no warranty for the Open Source Software contained in this product, if such Open Source Software is used in any manner other than intended by Hirschmann Automation and Control GmbH. The licenses listed below define the warranty, if any, from the authors or licensors of the Open Source Software.

Hirschmann Automation and Control GmbH specifically disclaims any warranty for defects caused by altering any Open Source Software or the product's configuration. Any warranty claims against Hirschmann Automation and Control GmbH in the event that the Open Source Software contained in this product infringes the intellectual property rights of a third party are excluded.

Technical support, if any, will only be provided for unmodified software.

### **Software contained in the product**

The following software components are part of the product depending on the product and its feature set:

Component Name: Atmel Advanced Software Framework (ASF)

License: Atmel ASF License

Version: 3.25.0

Source Link: <http://asf.atmel.com/docs/latest/download.html>

Component Name: BSD-style license

License: BSD-style license

Version: R0.09

Source Link: <http://elm-chan.org/fsw/ff/archives.html>

Component Name: ARM Cortex Microcontroller Software Interface Standard (CMSIS)

License: ARM CMSIS License

Version: 3.00

Source Link: <http://packs.download.atmel.com/>

### **The Licenses in Detail**

#### **Atmel Advanced Software Framework (ASF)**

Copyright (c) 2014 Atmel Corporation. All rights reserved.

Redistribution and use in source and binary forms, with or without modification, are permitted provided that the following conditions are met:

- 1) Redistributions of source code must retain the above copyright notice, this list of conditions and the following disclaimer.
- 2) Redistributions in binary form must reproduce the above copyright notice, this list of conditions and the following disclaimer in the documentation and/or other materials provided with the distribution.
- 3) The name of Atmel may not be used to endorse or promote products derived from this software without specific prior written permission.
- 4) This software may only be redistributed and used in connection with an Atmel microcontroller product.

THIS SOFTWARE IS PROVIDED BY ATMEL "AS IS" AND ANY EXPRESS OR IMPLIED WARRANTIES, INCLUDING, BUT NOT LIMITED TO, THE IMPLIED WARRANTIES OF MERCHANTABILITY, FITNESS FOR A PARTICULAR PURPOSE AND NON-INFRINGEMENT ARE EXPRESSLY AND SPECIFICALLY DISCLAIMED. IN NO EVENT SHALL ATMEL BE LIABLE OR ANY DIRECT, INDIRECT, INCIDENTAL, SPECIAL, EXEMPLARY, OR CONSEQUENTIAL DAMAGES (INCLUDING, BUT NOT LIMITED TO, PROCUREMENT OF SUBSTITUTE GOODS OR SERVICES; LOSS OF USE, DATA, OR PROFITS; OR BUSINESS INTERRUPTION) HOWEVER CAUSED AND ON ANY THEORY OF LIABILITY, WHETHER IN CONTRACT, STRICT LIABILITY, OR TORT (INCLUDING NEGLIGENCE OR OTHERWISE) ARISING IN ANY WAY OUT OF THE USE OF THIS SOFTWARE, EVEN IF ADVISED OF THE POSSIBILITY OF SUCH DAMAGE.

### **FAT file system (FatFs)**

FatFs - FAT file system module R0.09  
(C)ChaN, 2011

FatFs module is a generic FAT file system module for small embedded systems. This is a free software that opened for education, research and commercial developments under license policy of following terms.

Copyright (C) 2011, ChaN, all right reserved.

The FatFs module is a free software and there is NO WARRANTY. No restriction on use. You can use, modify and redistribute it for personal, non-profit or commercial products UNDER YOUR RESPONSIBILITY. Redistributions of source code must retain the above copyright notice.

### **ARM Cortex Microcontroller Software Interface Standard (CMSIS)**

Copyright (C) 2009-2012 ARM Limited. All rights reserved.

ARM Limited (ARM) is supplying this software for use with Cortex-M processor based microcontrollers. This file can be freely distributed within development tools that are supporting such ARM based processors.

THIS SOFTWARE IS PROVIDED "AS IS" NO WARRANTIES, WHETHER EXPRESS, IMPLIED OR STATUTORY, INCLUDING, BUT NOT LIMITED TO, IMPLIED WARRANTIES OF MERCHANTABILITY AND FITNESS FOR A PARTICULAR PURPOSE APPLY TO THIS SOFTWARE. ARM SHALL NOT, IN ANY CIRCUMSTANCES, BE LIABLE FOR SPECIAL, INCIDENTAL, OR CONSEQUENTIAL DAMAGES, FOR ANY REASON WHATSOEVER.

CMSIS is released under the terms of the end user license agreement ("CMSIS END USER LICENCE AGREEMENT.pdf"). Any user of the software package is bound to the terms and conditions of the end user license agreement.

## END USER LICENCE AGREEMENT FOR THE CORTEX MICROCONTROLLER SOFTWARE INTERFACE STANDARD (CMSIS) SPECIFICATION AND SOFTWARE

THIS END USER LICENCE AGREEMENT (“LICENCE”) IS A LEGAL AGREEMENT BETWEEN YOU (EITHER A SINGLE INDIVIDUAL, OR SINGLE LEGAL ENTITY) AND ARM LIMITED (“ARM”) FOR THE USE OF THE CMSIS SPECIFICATION, EXAMPLE CODE, DSP LIBRARY SPECIFICATION AND DSP LIBRARY IMPLEMENTATION AS SUCH TERMS ARE DEFINED BELOW (COLLECTIVELY, THE “ARM DELIVERABLES”). ARM IS ONLY WILLING TO LICENSE THE ARM DELIVERABLES TO YOU ON CONDITION THAT YOU ACCEPT ALL OF THE TERMS IN THIS LICENCE. BY CLICKING “I AGREE”, OR BY INSTALLING OR OTHERWISE USING OR COPYING THE ARM DELIVERABLES YOU INDICATE THAT YOU AGREE TO BE BOUND BY ALL THE TERMS OF THIS LICENCE. IF YOU DO NOT AGREE TO THE TERMS OF THIS LICENCE, ARM IS UNWILLING TO LICENSE YOU TO USE THE ARM DELIVERABLES AND YOU MAY NOT INSTALL, USE OR COPY THE ARM DELIVERABLES.

“CMSIS Specification” means any documentation and C programming language files defining the application programming interface, naming and coding conventions of the Cortex Microcontroller Software Interface Standard (CMSIS) as well as the System View Description (SVD) documentation and associated XML schema file. Notwithstanding the foregoing, “CMSIS Specification” shall not include (i) the implementation of other published specifications referenced in the CMSIS Specification; (ii) any enabling technologies that may be necessary to make or use any product or portion thereof that complies with the CMSIS Specification, but are not themselves expressly set forth in the CMSIS Specification (e.g. compiler front ends, code generators, back ends, libraries or other compiler, assembler or linker technologies; validation or debug software or hardware; applications, operating system or driver software; RISC architecture; processor microarchitecture); (iii) maskworks and physical layouts of integrated circuit designs; or (iv) RTL or other high level representations of integrated circuit designs.

“DSP Library Implementation” means any C programming language source code implementing the functionality of the digital signal processor (DSP) algorithms and the application programming interface as defined in the DSP Library Specification. The DSP Library Implementation makes use of CMSIS application programming interface and therefore is targeted at Cortex-M class processors.

“DSP Library Specification” means the DSP library documentation and C programming language file defining the application programming interface of the DSP Library Implementation. Notwithstanding the foregoing, “DSP Library Specification” shall not include (i) the implementation of other published specifications referenced in the DSP Library Specification; (ii) any enabling technologies that may be necessary to make or use any product or portion thereof that complies with the DSP Library Specification, but are not themselves expressly set forth in the DSP Library Specification (e.g. compiler front ends, code generators, back ends, libraries or other compiler, assembler or linker technologies; validation or debug software or hardware; applications, operating system or driver software; RISC architecture; processor microarchitecture); (iii) maskworks and physical layouts of integrated circuit designs; or (iv) RTL or other high level representations of integrated circuit designs.

“Example Code” means any files in C, C++ or ARM assembly programming languages, associated project and configuration files that demonstrate the usage of the CMSIS Specification, the DSP Library Specification and the DSP Library Implementation, for microprocessors or device specific software applications that are for use with microprocessors.

## LICENCE GRANTS.

1.1 ARM hereby grants to you, subject to the terms and conditions of this Licence, a non-exclusive, nontransferable licence, to;

(i) use and copy the CMSIS Specification for the purpose of developing, having developed, manufacturing, having manufactured, offering to sell, selling, supplying or otherwise distributing products that comply with the CMSIS Specification, provided that you preserve any copyright notices which are included with, or in, the CMSIS Specification and provided that you do not use ARM's name, logo or trademarks to market such products;

(ii) use, copy, and modify (solely to the extent necessary to incorporate the whole or any part of the DSP Library Specification into your documentation), the DSP Library Specification, for the purpose of developing, having developed, manufacturing, having manufactured, offering to sell, selling, supplying or otherwise distributing products that comply with the DSP Library Specification, and distribute and have distributed any documentation created by or for you that has been derived from the DSP Library Specification with such products, provided that you preserve any copyright notices which are included with, or in, the DSP Library Specification and provided that you do not use ARM's name, logo or trademarks to market such products;



(iii) use, copy, modify and sublicense the Example Code solely for the purpose of developing, having developed, manufacturing, having manufactured, offering to sell, selling, supplying or otherwise distributing products that comply with either or both the CMSIS Specification and the DSP Library Specification, provided that you preserve any copyright notices which are included with, or in, the Example Code and that you do not use ARM's name, logo or trademarks to market such products;

(iv) use, copy and modify (provided that the logical functionality and the application programming interface of the DSP Library Implementation are maintained) the DSP Library Implementation, solely for the purposes of developing; (a) software applications for use with microprocessors manufactured or simulated under licence from ARM (“Software Applications”); and (b) tools that are designed to develop software programs for use with microprocessors manufactured or simulated under licence from ARM (“Tools”); and

(v) subject to clause 1.1(vi) below; (a) distribute and sublicense the use of the DSP Library Implementation (including any modified forms thereof created under Clause 1.1(iv) above) in binary or source format, solely as incorporated into Software Library Applications and Tools to third parties; and (b) sublicense to such third parties the right to use and copy the Tools for the purposes of developing and distribute software programs for use with microprocessors manufactured or simulated under licence from ARM.

(vi) CONDITIONS ON REDISTRIBUTION: If you choose to redistribute the whole or any part of the DSP Library Implementation as incorporated into Software Library Applications or Tools, you agree to; (a) ensure that the DSP Library Implementation is licensed for use only as part of Software Library Applications and Tools and only for use with microprocessors manufactured or simulated under licence from ARM; (b) not to use ARM's name, logo or trademarks to market Software Applications and Tools; and (c) include valid copyright notices on Software Applications and Tools, and preserve any copyright notices which are included with, or in, the DSP Library Implementation.

## 2. RESTRICTIONS ON USE OF THE ARM DELIVERABLES.

PERMITTED USERS: The ARM Deliverables shall be used only by you (either a single individual, or single legal entity) your employees, or by your on-site bona fide sub-contractors for whose acts and omissions you hereby agree to be responsible to ARM for to the same extent as you are for your employees, and provided always that such sub-contractors; (i) are contractually obligated to use the ARM Deliverables only for your benefit, and (ii) agree to assign all their work product and any rights they create therein in the supply of such work to you.

**COPYRIGHT AND RESERVATION OF RIGHTS:** The ARM Deliverables are owned by ARM or its licensors and are protected by copyright and other intellectual property laws and international treaties. The ARM Deliverables are licensed not sold. Except as expressly licensed herein, you acquire no right, title or interest in the ARM Deliverables or any intellectual property therein. In no event shall the licences granted herein be construed as granting you, expressly or by implication, estoppels or otherwise, a licence to use any ARM technology except the ARM Deliverables.

### 3. SUPPORT.

ARM is not obligated to support the ARM Deliverables but may do so entirely at ARM's discretion.

### 4. NO WARRANTY

YOU AGREE THAT THE ARM DELIVERABLES ARE LICENSED "AS IS", AND THAT ARM EXPRESSLY DISCLAIMS ALL REPRESENTATIONS, WARRANTIES, CONDITIONS OR OTHER TERMS, EXPRESS, IMPLIED OR STATUTORY, INCLUDING WITHOUT LIMITATION THE IMPLIED WARRANTIES OF NONINFRINGEMENT, SATISFACTORY QUALITY, AND FITNESS FOR A PARTICULAR PURPOSE. THE ARM DELIVERABLES MAY CONTAIN ERRORS. ARM RESERVES THE RIGHT TO INCORPORATE MODIFICATIONS TO THE ARM DELIVERABLES IN LATER REVISIONS OF THEM, AND TO MAKE IMPROVEMENTS OR CHANGES IN THE ARM DELIVERABLES AT ANY TIME.

### 5. LIMITATION OF LIABILITY

THE MAXIMUM LIABILITY OF ARM TO YOU IN AGGREGATE FOR ALL CLAIMS MADE AGAINST ARM IN CONTRACT, TORT OR OTHERWISE UNDER OR IN CONNECTION WITH THE SUBJECT MATTER OF THIS LICENCE SHALL NOT EXCEED THE GREATER OF (I) THE TOTAL OF SUMS PAID BY YOU TO ARM (IF ANY) FOR THIS LICENCE AND (II) US\$10.00. THE LIMITATIONS, EXCLUSIONS AND DISCLAIMERS IN THIS LICENCE SHALL APPLY TO THE MAXIMUM EXTENT ALLOWED BY APPLICABLE LAW.

### 6. U.S. GOVERNMENT END USERS

US Government Restrictions: Use, duplication, reproduction, release, modification, disclosure or transfer of this commercial product and accompanying documentation is restricted in accordance with the terms of this Licence.

### 7. TERM AND TERMINATION

7.1 This Licence shall remain in force until terminated in accordance with the terms of Clause 7.2 or Clause 7.3 below.

7.2 Without prejudice to any of its other rights if you are in breach of any of the terms and conditions of this Licence then ARM may terminate this Licence immediately upon giving written notice to you. You may terminate this Licence at any time.

7.3 This Licence shall immediately terminate and shall be unavailable to you if you or any party affiliated to you asserts any patents against ARM, ARM affiliates, third parties who have a valid licence from ARM for the ARM Deliverables, or any customers or distributors of any of them based upon a claim that your (or your affiliate) patent is Necessary to implement the CMSIS Specification or DSP Library Specification. In this Licence; (i) "affiliate" means any entity controlling, controlled by or under common control with a party (in fact or in law, via voting securities, management control or otherwise) and "affiliated" shall be construed accordingly; (ii) "assert" means to allege infringement in legal or administrative proceedings, or proceedings before any other competent trade, arbitral or international authority; (iii) "Necessary" means with respect to any claims of any patent, those claims which, without the appropriate permission of the patent owner, will be infringed when implementing the CMSIS Specification or DSP Library Specification because no alternative, commercially reasonable, noninfringing way of implementing the CMSIS Specification or DSP Library Specification is known.

7.4 Upon termination of this Licence, you shall stop using the ARM Deliverables and destroy all copies of the ARM Deliverables in your possession. The provisions of clauses 5, 6, 7, and 8 shall survive termination of this Licence.

## 8. GENERAL.

This Licence is governed by English Law. Except where ARM agrees otherwise in a written contract signed by you and ARM, this is the only agreement between you and ARM relating to the ARM Deliverables and it may only be modified by written agreement between you and ARM. Except as expressly agreed in writing, this Licence may not be modified by purchase orders, advertising or other representation by any person. If any clause or sentence in this Licence is held by a court of law to be illegal or unenforceable the remaining provisions of this Licence shall not be affected thereby. The failure by ARM to enforce any of the provisions of this Licence, unless waived in writing, shall not constitute a waiver of ARM's rights to enforce such provision or any other provision of this Licence in the future. This Licence may not be assigned without the prior written consent of ARM.

ARM contract reference LEC-PRE-00489-V6.0

06 December, 2010

## **B Further support**

### **Technical questions**

For technical questions, please contact any Hirschmann dealer in your area or Hirschmann directly.

You find the addresses of our partners on the Internet at <http://www.hirschmann.com>.

A list of local telephone numbers and email addresses for technical support directly from Hirschmann is available at <https://hirschmann-support.belden.com>.

This site also includes a free of charge knowledge base and a software download section.

### **Hirschmann Competence Center**

The Hirschmann Competence Center is ahead of its competitors on three counts with its complete range of innovative services:

- ▶ Consulting incorporates comprehensive technical advice, from system evaluation through network planning to project planning.
- ▶ Training offers you an introduction to the basics, product briefing and user training with certification.  
You find the training courses on technology and products currently available at <http://www.hicomcenter.com>.
- ▶ Support ranges from the first installation through the standby service to maintenance concepts.

With the Hirschmann Competence Center, you decided against making any compromises. Our client-customized package leaves you free to choose the service components you want to use.

Internet:

<http://www.hicomcenter.com>





**HIRSCHMANN**

---

A **BELDEN** BRAND