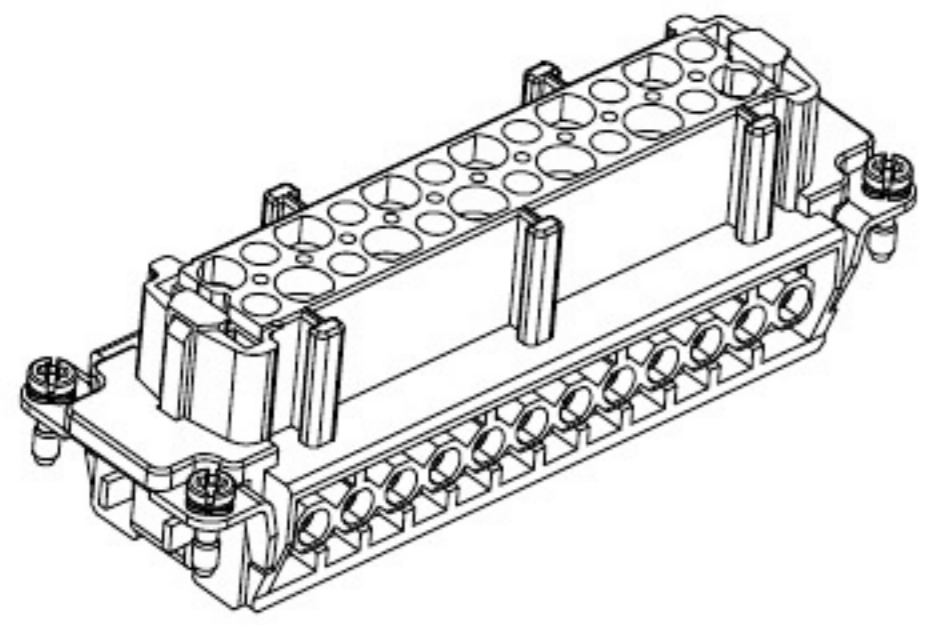
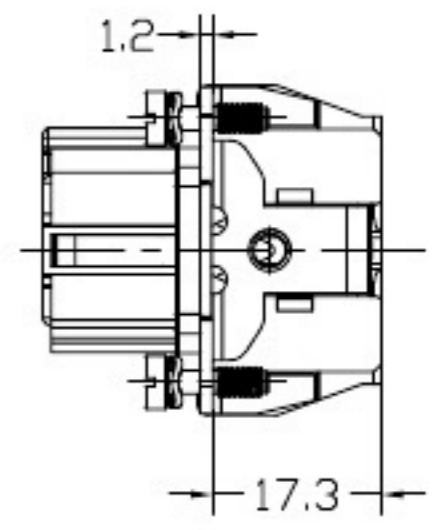
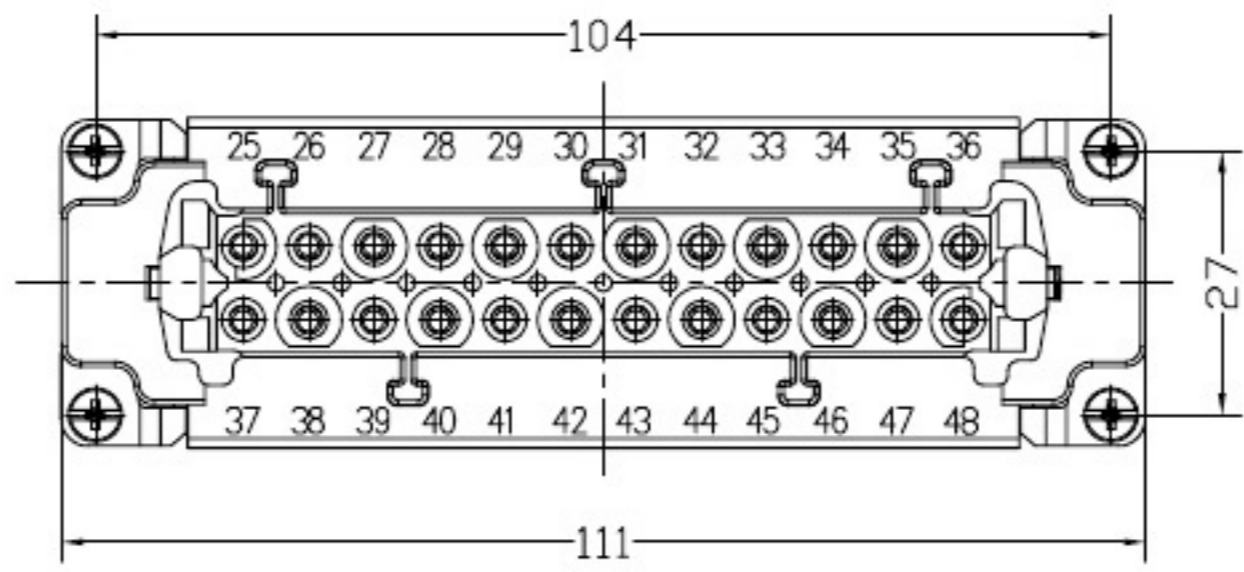
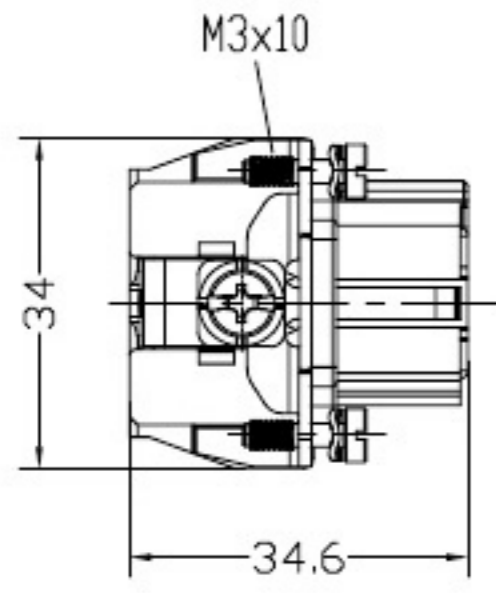



		REVISION DATA			
SYM	ECN	DESCRIPTION	DATE	APPROVED	



	SIGNATURE	DATE	Units	mm	 宁波欧科瑞连接器有限公司 NINGBO OKERUI CONNECTOR CO., LTD.	
DRAW			Size	A4	PART NAME	HZW-HE-048-F (25-48)
DESIGN			Scale	1:1	Drawing NO.	61 206 048 294 REV
CHECK			Sheet	1/1	File path	OKR. HEP. 048F A0
APPROVE			Proj.	