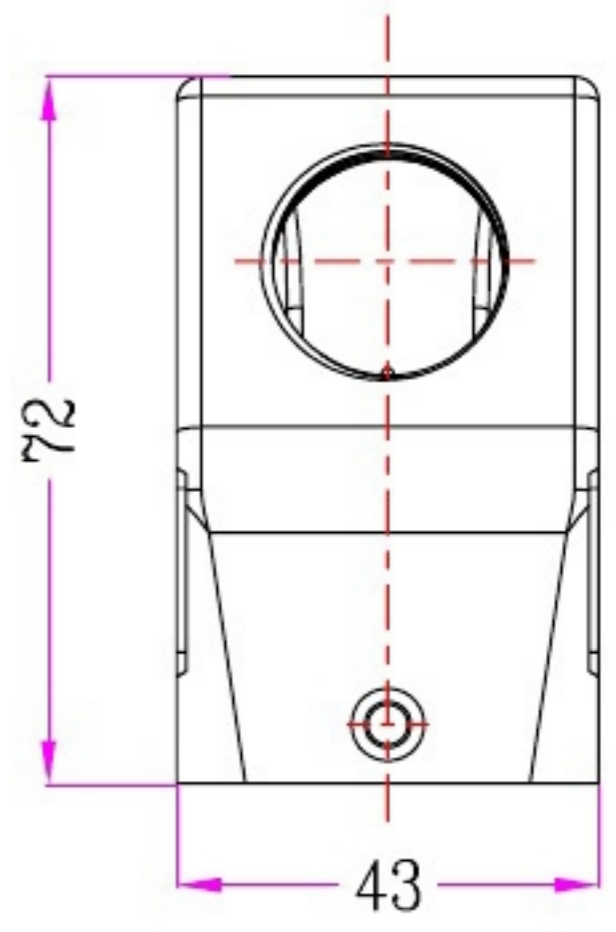
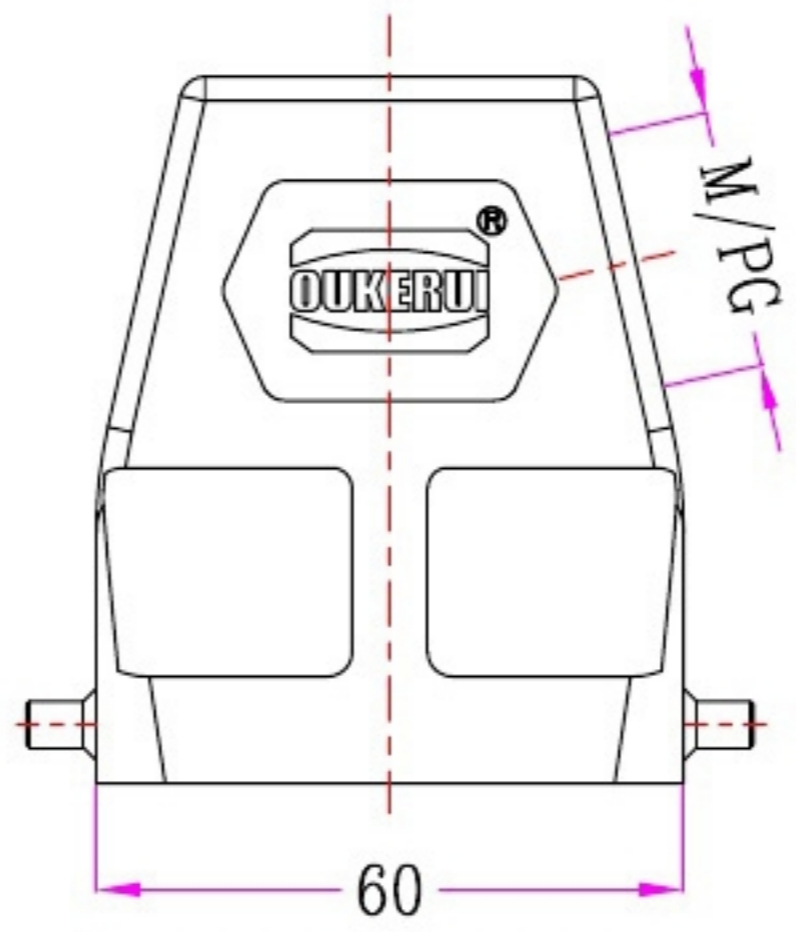



1	2	3	4	5	6	7	8
Identification	Type name	Part number	Thread(M/PG)	Your Choice	REVISION DATA		
Hoods	HZW-H6B-SKH-2g-M25	82 311 006 125	M25		SYM	ECN	DESCRIPTION
Side entry	HZW-H6B-SKH-2g-M32	82 311 006 132	M32				DATE
High structure	HZW-H6B-SKH-2g-PG21	82 311 006 121	PG21				APPROVED



	SIGNATURE	DATE	Units	mm	 宁波欧科瑞连接器有限公司 NINGBO OUKERUI CONNECTOR CO.,LTD.		
DRAW			Size	A4	TYPE NAME	HZW-H6B-SKH-2g-M/PG	
DESIGN			Scale		Part number	82 311 006 XXX	REV
CHECK			Sheet	1/1	File path	OKR.06B.H06BM	A0
APPROVE			Proj.	