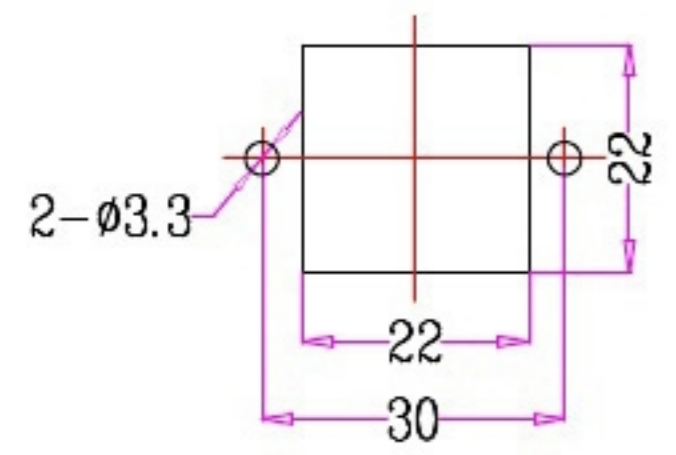
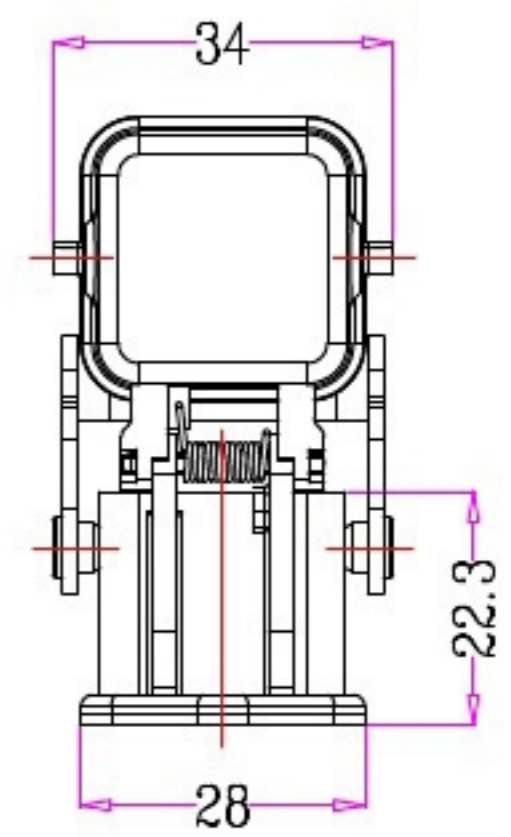
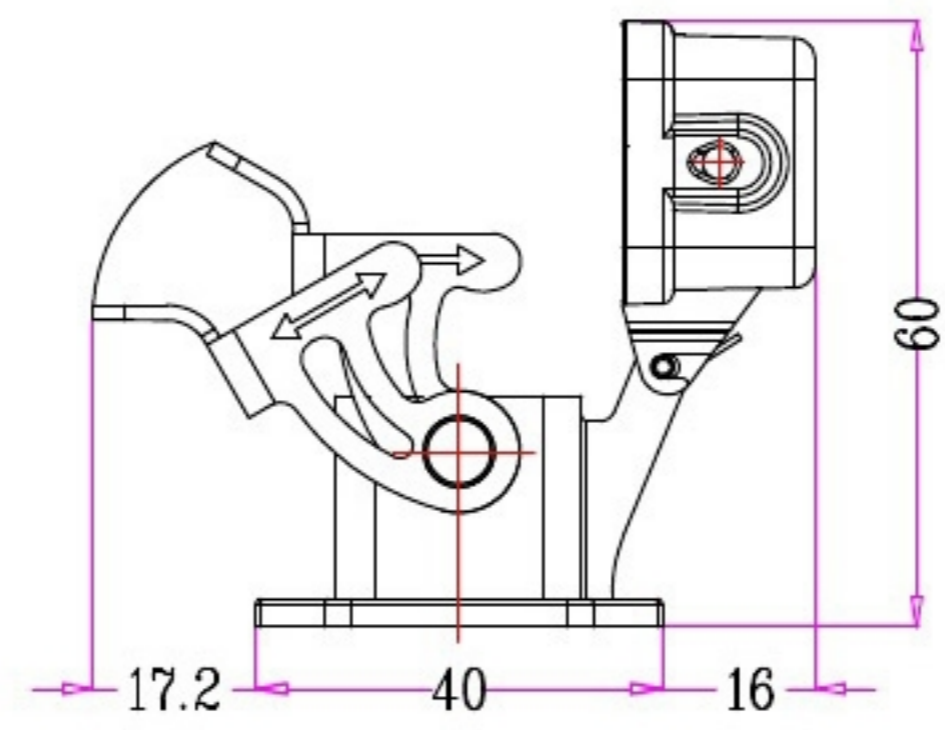



REVISION DATA				
SYM	ECN	DESCRIPTION	DATE	APPROVED



Panel cut out

	SIGNATURE	DATE	Units	mm	 宁波欧科瑞连接器有限公司 NINGBO OUKERUI CONNECTOR CO.,LTD.	
DRAW			Size	A4	PART NAME	HZW-H3A-ST-1PL-MCV
DESIGN			Scale	1:1	Drawing NO.	81 201 003 411 REV
CHECK			Sheet	1/1	File path	OKR, H3A, 3AL11 AO
APPROVE			Proj.	