

1	2	3	4	5	6	7	8			
Identification	Type name	Part number	Thread(M/PG)	Lever type	Your Choice	REVISION DATA				
Housings Surface mounting	HZW-H32B-SG-2PL-M32	81 325 032 132	M32	Metal		SYM	ECN	DESCRIPTION	DATE	APPROVED
	HZW-H32B-SG-2PL-2M32	81 325 032 232	2M32	Metal						
	HZW-H32B-SG-2PL-M40	81 325 032 140	M40	Metal						
	HZW-H32B-SG-2PL-2M40	81 325 032 240	2M40	Metal						
	HZW-H32B-SG-2PL-PG29	81 325 032 129	PG29	Metal						
	HZW-H32B-SG-2PL-2PG29	81 325 032 229	2PG29	Metal						
	HZW-H32B-SG-2PL-PG36	81 325 032 136	PG36	Metal						
	HZW-H32B-SG-2PL-2PG36	81 325 032 236	2PG36	Metal						

A

A

B

B

C

C

D

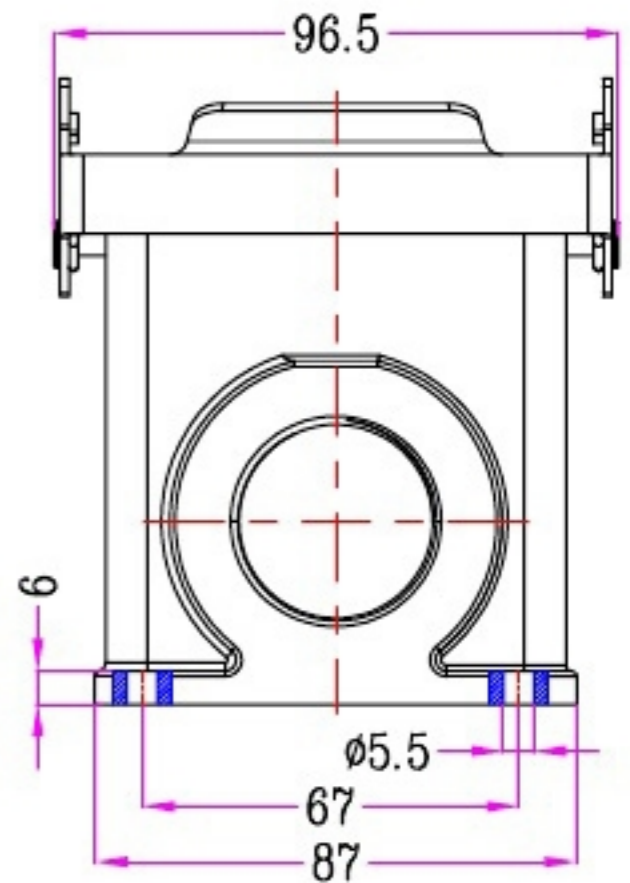
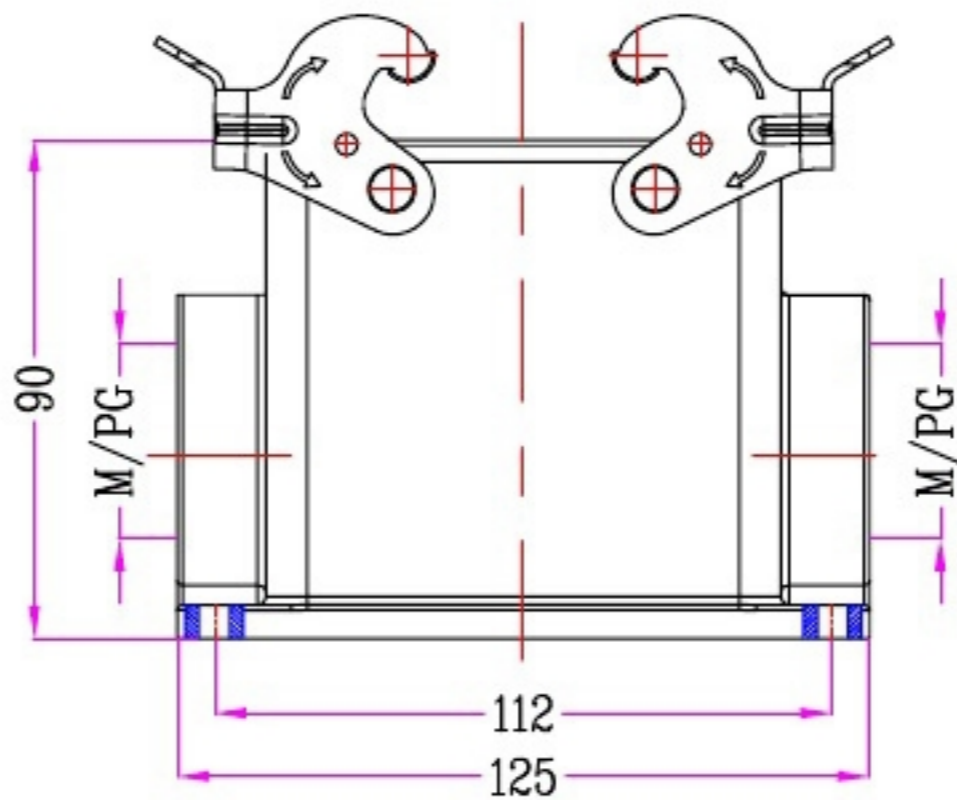
D


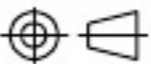
E

E

F

F



	SIGNATURE	DATE	Units	mm	 宁波欧科瑞连接器有限公司 NINGBO OKERUI CONNECTOR CO.,LTD.	
DRAW			Size	A4	TYPE NAME	HZW-H32B-SG-2PL-M/PG
DESIGN			Scale		Part number	81 325 032 XXX REV
CHECK			Sheet	1/1	File path	OKR. 32B. H32BL A0
APPROVE			Proj.			

1

2

3

4

4

5

6

7

8