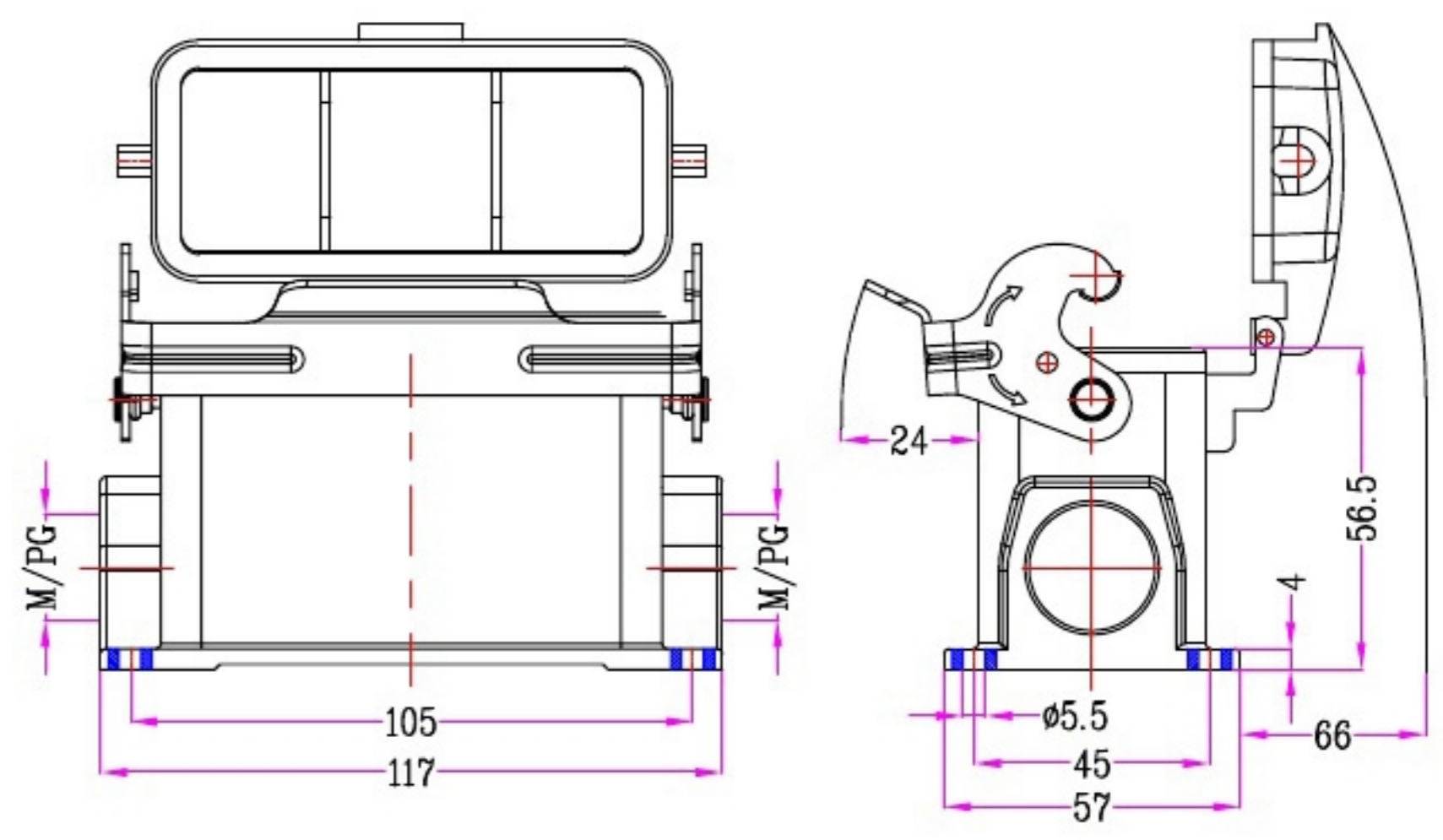



1	2	3	4	5	6	7	8			
Identification	Type name	Part number	Thread(M/PG)	Lever type	Your Choice	REVISION DATA				
Housings Surface mounting With thermo-Plastic cover	HZW-H16B-SG-CV-1PL-M25	84 323 016 025	M25	Metal		SYM	ECN	DESCRIPTION	DATE	APPROVED
	HZW-H16B-SG-CV-1PL-2M25	84 323 016 225	2M25	Metal						
	HZW-H16B-SG-CV-1PL-PG21	84 323 016 021	PG21	Metal						
	HZW-H16B-SG-CV-1PL-2PG21	84 323 016 221	2PG21	Metal						



	SIGNATURE	DATE	Units	mm	 宁波欧科瑞连接器有限公司 NINGBO OKERUI CONNECTOR CO.,LTD.	
DRAW			Size	A4	TYPE NAME	HZW-H16B-SG-CV-1PL-M/PG
DESIGN			Scale		Part number	84 323 016 XXX REV
CHECK			Sheet	1/1	File path	OKR.16B.H16BL A0
APPROVE			Proj.	