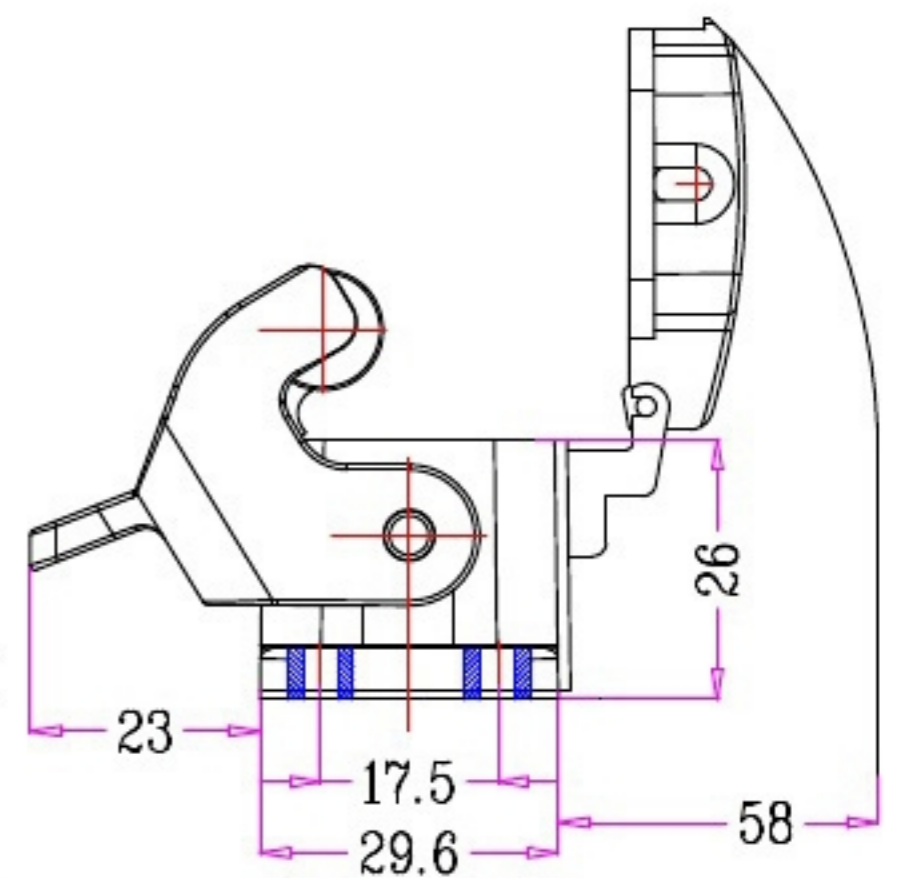
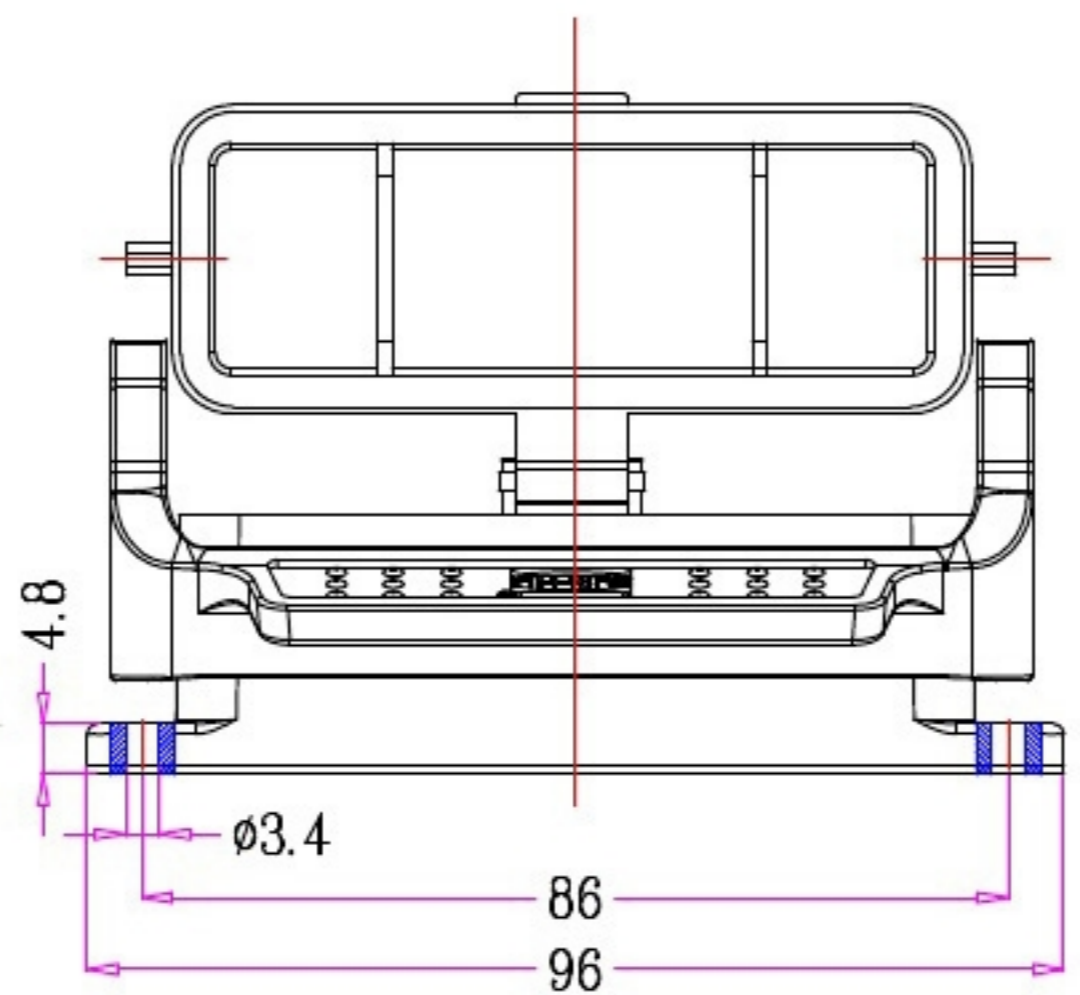
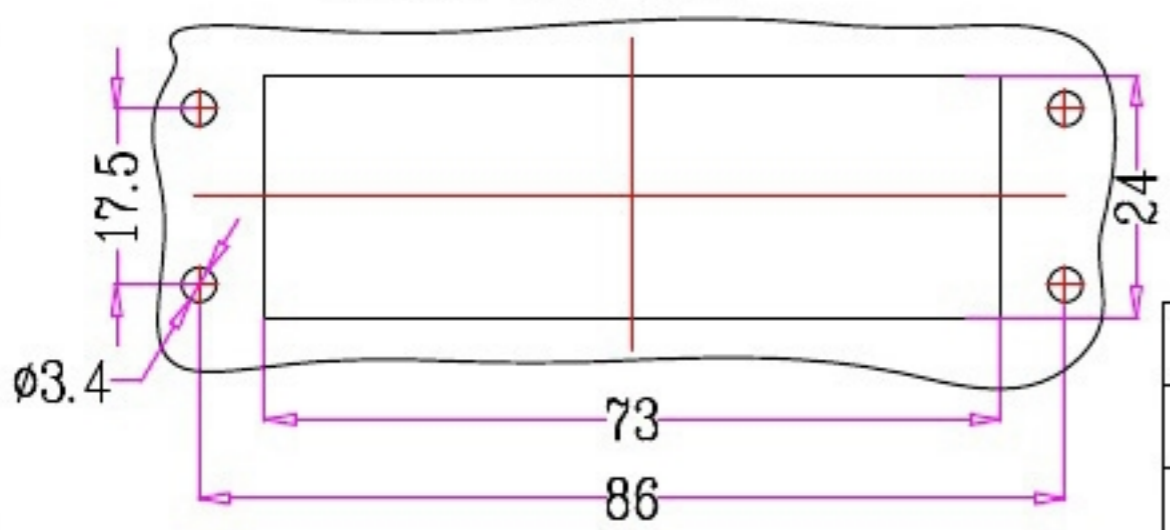

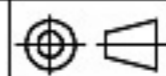


| REVISION DATA | | | | |
|---------------|-----|-------------|------|----------|
| SYM | ECN | DESCRIPTION | DATE | APPROVED |
| | | | | |
| | | | | |



Bulkhead mounting
Panel cut out



| | | | | | |
|---------|-----------|------|-------|---|--|
| | SIGNATURE | DATE | Units | mm |  宁波欧科瑞连接器有限公司 NINGBO OUKERUI CONNECTOR CO.,LTD. |
| DRAW | | | Size | A4 | |
| DESIGN | | | Scale | 1:1 | TYPE NAME HZW-H16A-ST-CV-1PL |
| CHECK | | | Sheet | 1/1 | Part number 81 271 016 102 REV |
| APPROVE | | | Proj. |  | File path OKR_16A_H16AL AO |