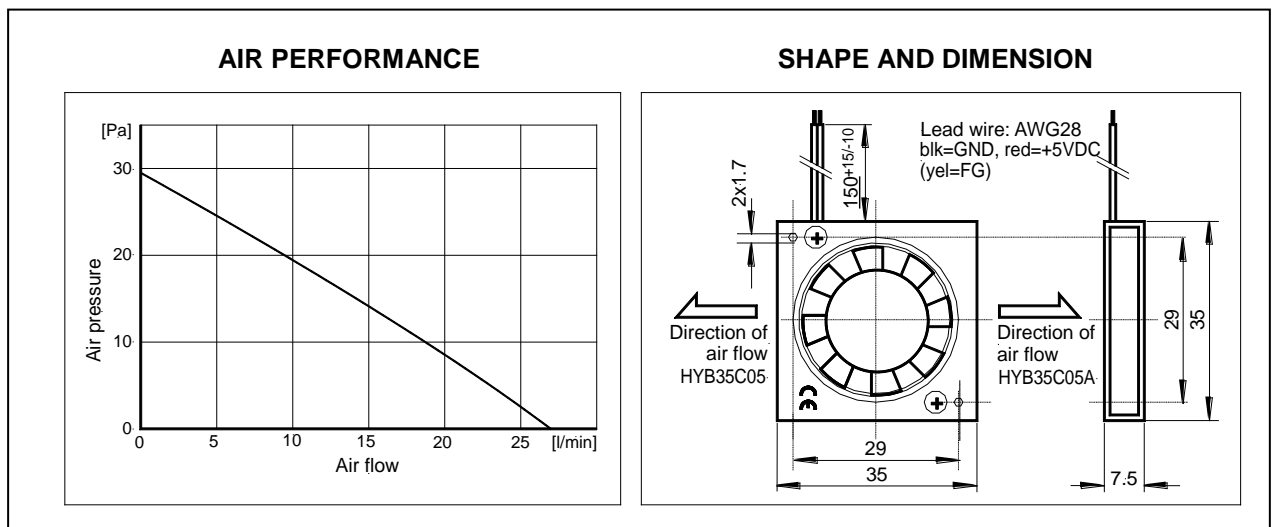


HYB35C05 Series

HIGH PERFORMANCE FAN



PERFORMANCE

CE	HYB35C05-007	HYB35C05A-001
Operating voltage [VDC]	4.5 ... 5 ... 5.5	
Typ. operating current [mA]	80	
Max. start current [mA]	140	
Max. air flow [l/min – m ³ /h]	27 -1.6	
Max. air pressure [Pa – mmH ₂ O]	29 – 3.0	
Typ. noise (1m dist. from air intake side) [dB(A)]	27	
Max. noise (1m dist. from air intake side) [dB(A)]	35	
Typ. rotor speed [RPM]	7400	
FG (...A) [PPR]	-	3
Operating temperature [°C]	-40 ... +80	
Life expectancy L10/MTBF@ 40°C [h]	70000/350000	
Bearing system	Ball bearing ZZ	
Weight [g]	10	
Standard packing quantity [Pcs.]	50-100-500	

This **SEPA**[®] high-tech miniature fan is suitable for industrial or automotive use and has a remarkable air flow performance despite its small dimensions. Thanks to the extremely low power input, this fan is highly suitable for battery-operated devices. It is permanently protected electrically against reverse polarity, blocking and thermal overloading. Due to the low rotor weight and precision balancing, it is virtually vibration-free. It is also insensitive to shock.

Further features of this fan are its extremely robust and torsionally stiff housing of Aluminum, high-grade ball bearing with narrow tolerances, of special steel, polyester-based PCB and absolute reliability due to a 100% burn-in.

Technical changes without notice • 11/16

HYB35C05 Series

HIGH PERFORMANCE FAN



HYB35C05 Series

HIGH PERFORMANCE FAN



• ALARM SIGNAL

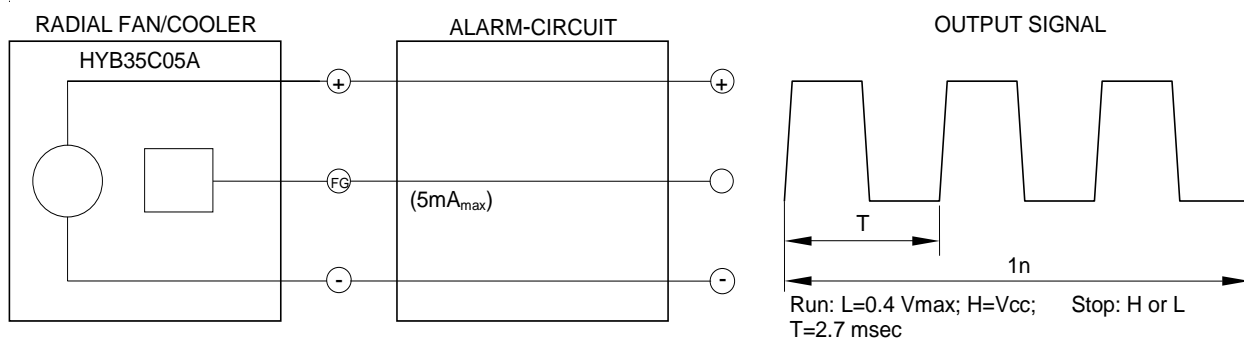
The **SEPA**® fan HYB35C05A includes a pulse output, which allows monitoring the correct function of the fan.

The pulse is like a rectangular wave, the frequency correlates to 3x rotor speed. The amplitude appears periodically. At blocked rotor the output signal could be L ($\leq 0,4V$) or H (V_{cc}).

IMPORTANT: The pulse output is not protected against short circuit and must not connect to GND or V_{cc} without pre-resistor. A pull-up-resistor is not needed. Do not connect not used pulse output (insolate).

The fans HYB35C05... have tinned lead wire ends (without connector).

Do not touch the rotor! Please note the handling specification!



• ACCESSORIES:

Connector: on request

• ORDER INFORMATION

HYB35C05-007	SEPA ® Radial fan, 35x35x7.5mm, 5VDC, Ball bearing, CE ,	113531000
HYB35C05A-001	SEPA ® Radial fan, 35x35x7.5mm, 5VDC, Ball bearing, FG, CE ,	113531010

SEPA® is the brand name for fans and CPU-cooler, made by Nippon Keiki Works LTD., Tokyo

Technical changes without notice • 11/16