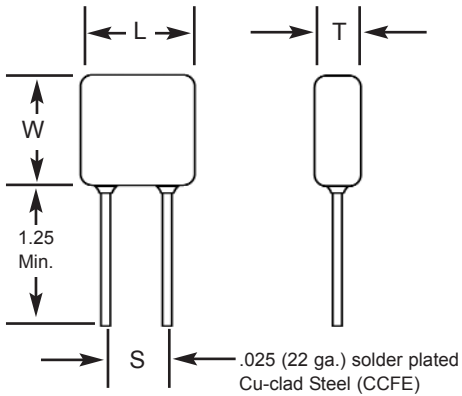


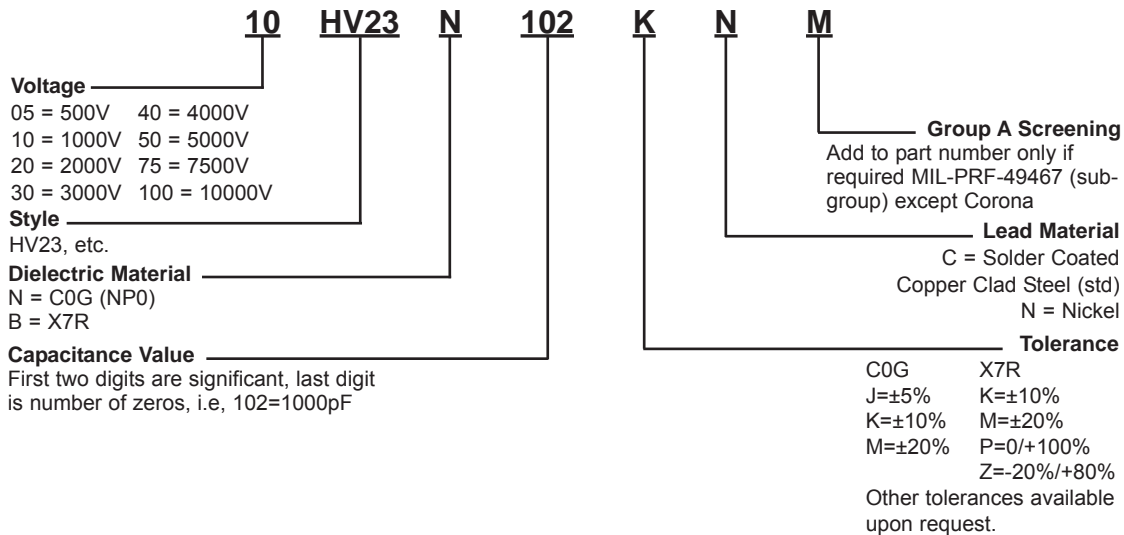
CAPACITOR OUTLINE DRAWING



DIMENSIONS

Style	Sizes in Inches (mm) max.			Lead Spacing ±0.030 (S)
	Length (L)	Width (W)	Thickness (T)	
HV20	.250 (6.35)	.220 (5.59)	.200 (5.08)	.170 (4.32)
HV21	.320 (8.13)	.280 (7.11)	.250 (6.35)	.220 (5.59)
HV22	.370 (9.40)	.300 (7.62)	.250 (6.35)	.275 (6.98)
HV23	.470 (11.94)	.400 (10.16)	.270 (6.89)	.375 (9.52)
HV24	.570 (14.48)	.500 (12.70)	.270 (6.89)	.475 (12.06)
HV25	.670 (17.02)	.600 (15.24)	.270 (6.89)	.575 (14.60)
HV26	.770 (19.56)	.720 (18.29)	.270 (6.89)	.675 (17.14)
HV30	.450 (11.43)	.220 (5.59)	.200 (5.08)	.300 (7.62)
HV31	.550 (13.97)	.280 (7.11)	.250 (6.35)	.400 (10.16)
HV33	.850 (21.59)	.400 (10.16)	.270 (6.89)	.700 (17.78)
HV34	1.050 (26.67)	.500 (12.70)	.270 (6.89)	.975 (24.76)
HV35	1.250 (31.75)	.600 (15.24)	.270 (6.89)	1.175 (29.84)
HV36	1.450 (36.83)	.720 (18.29)	.270 (6.89)	1.375 (34.92)

PART NUMBER AND ORDERING INFORMATION



MARKING

(HV20, HV21)	(All Other Sizes)
103K	HV24A103K
1 kV	1 kV
KEC	KEC
Date Code	Date Code

High Voltage Radial Conformally Coated Ceramic Capacitors HV Series

COG DIELECTRIC

STYLE	HV20				HV21				HV22				HV23					HV24					HV25					HV26							
	L MAX																																		
Cap	L MAX	.250 (6.35)				.320 (8.13)				.370 (9.40)				.470 (11.94)					.570 (14.48)					.670 (17.02)					.770 (19.56)						
	W MAX	.220 (5.59)				0.280 (7.11)				.300 (7.62)				.400 (10.16)					.500 (12.70)					.600 (15.24)					.720 (18.29)						
	T MAX	.200 (5.08)				.250 (6.35)				.250 (6.35)				.270 (6.86)					.270 (6.86)					.270 (6.86)					.270 (6.86)						
	S± .030	.170 (4.32)				.220 (5.59)				.275 (6.98)				.375 (9.52)					.475 (12.06)					.575 (14.60)					.675 (17.14)						
	Lead Dia. +0.004/-0.002	.025 (.635)				.025 (.635)				.025 (.635)				.025 (.635)					.025 (.635)					.025 (.635)					.025 (.635)						
	Cap Code	WVDC				WVDC				WVDC				WVDC					WVDC					WVDC					WVDC						
		500	1k	2k	3k	500	1k	2k	3k	500	1k	2k	3k	500	1k	2k	3k	4k	500	1k	2k	3k	4k	5k	500	1k	2k	3k	4k	5k	500	1k	2k	3k	4k
12pF	120																																		
15	150																																		
18	180																																		
22	220																																		
27	270																																		
33	330																																		
39	390																																		
47	470																																		
56	560																																		
68	680																																		
82	820																																		
100	101																																		
120	121																																		
150	151																																		
180	181																																		
220	221																																		
270	271																																		
330	331																																		
390	391																																		
470	471																																		
560	561																																		
680	681																																		
820	821																																		
1000	102																																		
1200	122																																		
1500	152																																		
1800	182																																		
2200	222																																		
2700	272																																		
3300	332																																		
3900	392																																		
4700	472																																		
5600	562																																		
6800	682																																		
8200	822																																		
0.01uF	103																																		
0.012	123																																		
0.015	153																																		
0.018	183																																		
0.022	223																																		
0.027	273																																		
0.033	333																																		
0.039	393																																		
0.047	473																																		
0.056	563																																		
0.068	683																																		
0.082	823																																		
0.10	104																																		

High Voltage Radial Conformally Coated Ceramic Capacitors

HV Series

X7R DIELECTRIC

STYLE		HV20			HV21			HV22			HV23				HV24				HV25				HV26			
		L MAX																								
Cap	W MAX	.220 (5.59)		.280 (7.11)		.300 (7.62)		.400 (10.16)		.500 (12.70)		.600 (15.24)		.720 (18.29)												
	T MAX	.200 (5.08)		.250 (6.35)		.250 (6.35)		.270 (6.86)		.270 (6.86)		.270 (6.86)		.270 (6.86)												
	S± .030	.170 (4.32)		.220 (5.59)		.275 (6.98)		.375 (9.52)		.475 (12.06)		.575 (14.60)		.675 (17.14)												
	Lead Dia. +0.004/-0.002	.025 (.635)		.025 (.635)		.025 (.635)		.025 (.635)		.025 (.635)		.025 (.635)		.025 (.635)												
	Cap Code	WVDC	500 1k 2k			500 1k 2k 3k			500 1k 2k 3k			500 1k 2k 3k 4k				500 1k 2k 3k 4k 5k				500 1k 2k 3k 4k 5k						
		500 1k 2k																								
	270pF	271																								
330	331																									
390	391																									
470	471																									
560	561																									
680	681																									
820	821																									
1000	102																									
1200	122																									
1500	152																									
1800	182																									
2200	222																									
2700	272																									
3300	332																									
3900	392																									
4700	472																									
5600	562																									
6800	682																									
8200	822																									
0.01µF	103																									
0.012	123																									
0.015	153																									
0.018	183																									
0.022	223																									
0.027	273																									
0.033	333																									
0.039	393																									
0.047	473																									
0.056	563																									
0.068	683																									
0.082	823																									
0.10	104																									
0.12	124																									
0.15	154																									
0.18	184																									
0.22	224																									
0.27	274																									
0.33	334																									
0.39	394																									
0.47	474																									
0.56	564																									
0.68	684																									
0.82	824																									
1.00	105																									
1.20	125																									
1.50	155																									
1.80	185																									
2.20	225																									
2.90	295																									

Mouser Electronics

Authorized Distributor

Click to View Pricing, Inventory, Delivery & Lifecycle Information:

KEMET:

[30HV22N471JN](#) [20HV25B563K](#) [10HV20B103K](#) [50HV24B102KC](#) [50HV24B472M](#) [30HV22B102K](#) [10HV21B332K](#)
[10HV33N303J](#) [05HV20B103KN](#) [30HV21B332K](#) [05HV23B474KN](#) [05HV21B104KM](#) [05HV20B223KN](#) [05HV24B105KN](#)
[50HV26B103Z](#) [05HV22B204KM](#) [10HV20B472K](#) [10HV23B274K](#) [20HV22B103ZN](#) [05HV35B335KC](#)
[10HV24B104KCM](#) [20HV24B104KCM](#) [20HV23B103KCM](#) [10HV24B154KN](#) [05HV25B224MC](#) [30HV23B153MN](#)
[30HV30N101JC](#) [30HV30N221JC](#) [30HV35N472JC](#) [30HV30N220JC](#) [30HV35N222JC](#) [30HV30N331JC](#)
[30HV30N150JC](#) [10HV36N823JC](#) [20HV36N223JC](#) [30HV30N470JC](#) [10HV36N473JC](#) [30HV35N103JC](#)
[10HV36N154JC](#) [20HV24B683KN](#) [20HV24B683KC](#) [20HV26B184KN](#) [20HV26B184KC](#) [20HV35B274KN](#)
[20HV35B274KC](#) [20HV24B683KCM](#) [20HV35B274KCM](#) [20HV26B184KCM](#) [10HV20B102KN](#) [10HV24B104KN](#)
[10HV25B224KN](#) [05HV22B224KC](#) [20HV24B473MN](#) [30HV23B472MN](#) [10HV26B105KC](#) [100HV36B103MC](#)
[30HV35N152JC](#) [30HV35N821JC](#) [10HV24B474KNM](#) [10HV26B105KNM](#) [10HV31B473KC](#) [10HV33B224KC](#)
[20HV20N100JC](#) [20HV36B224KN](#) [10HV23B473KN](#) [10HV23B274KC](#) [50HV33N561JN](#) [50HV24B472MN](#)
[10HV36B225KCM](#)