

Form N6-KN-02RP...

The control-switch N 6 is a rugged switching device according IEC/EN 60947-5-1 for hoisting and electro-hydraulic applications.

The modular design enables the switching device to be used universally. The N 6 is resistant to oil, maritime climate, ozone and UV radiation.

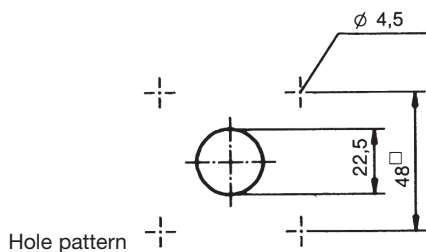
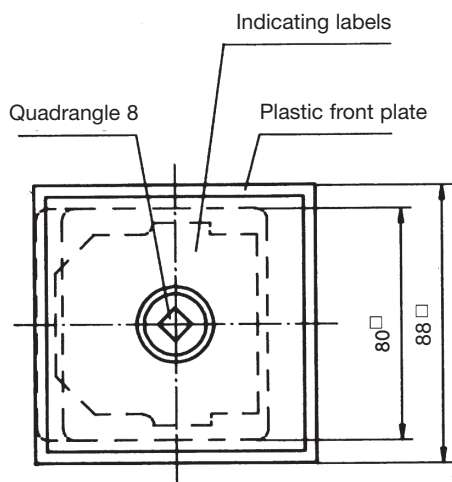
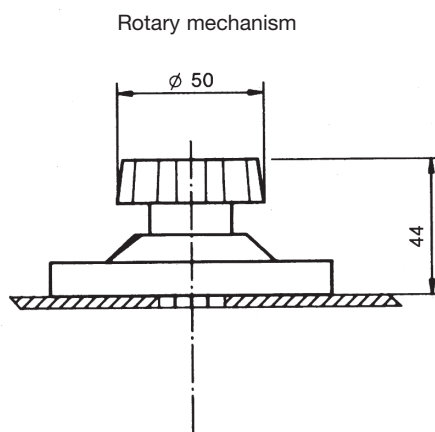
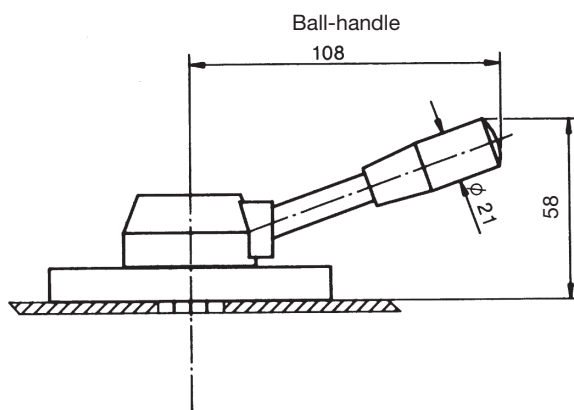
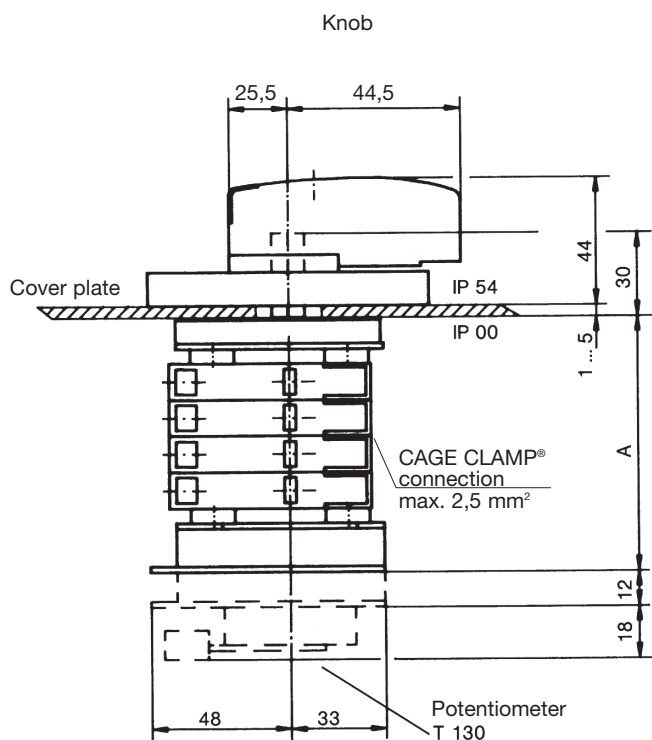
Contact complement 2 A 250 V AC 15 or 1 A 24 V DC 13 (standard) or 4 A 250 V AC 15 (special) with positive opening operation

Mechanical life 10 million (operating cycles)
Permissible ambient temperature Operation -40° C to +60° C
Storage -50° C to +80° C

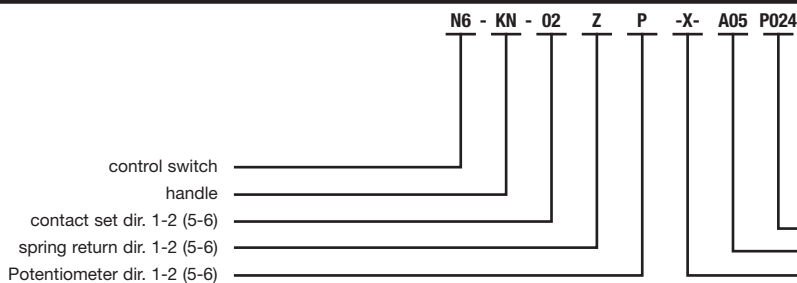
Climate resistance
Damp heat constant IEC 60068-2-78
Damp heat cyclic IEC 60068-2-30
Degree of protection front IP 54 IEC/EN 60529

Technical data see catalog 5/100
Description data see catalog 5/020

Pos.		Type expansion		Weight gramm	Type	Price EURO
1	Drive with free shaft end with front plate 88x88 mm				N6	
2	Knob			30	KN	
3	Ball-handle			50	HG	
4	Rotary mechanism			30	DG	
5						
6	Degree of protection, front IP 65 by seal ring (for Pos. 1)					
30	Control-switch insert (contact set)		No. of contacts 2	290	01	
31	with free shaft end		4	350	02	
32	Switching sequence 4-0-4		6	410	03	
33	Switching program according contact-arrangement MS see catalog 5/001	A...	8	470	04	
34	or to your contact-arrangement		10	530	05	
35			12	590	06	
36	Switching sequence 5-0-5 or 6-0-6 or 0-18					
37	Micro changeover contact (MZT1) positive opening (additional price)		2			
38	Spring return in 0-position max. 100 Grad (2 x 70°)			110	Z	
39	Friction brake adjustable max. 260 Grad (2 x 130°)			30	R	
40	Potentiometer e.t.c. with mounted Wire-wound potentiometer T 130 with centre tap linear 1,5 Watt wiper current max. 10 mA resistance 2 x 0,5k \pm P021, 2 x 1k \pm P022, 2 x 2k \pm P023, 2 x 5k \pm P024, 2 x 10k \pm P025	...P02 □		70	P	
41	Prepared for mounting potentiometer shaft 6 mm adjusting-angle 2 x 150°				(P)	
42	Prepared for mounting potentiometer e.t.c. adjusting-angle variable.				(P)	
43	more Potentiometer e.t.c. see catalog 1/240ff	C..., P...				
52	Housing see catalog 1/350					
60	Indicating labels not engraved					
61	Engraving, each 10 characters					
70	Command and indicating devices see catalog 1/360					



Type	No. of contacts	Dimension A	Spring return
01	2	51	+25
02	4	63	
03	6	76	
04	8	88	
05	10	101	
06	12	113	



Potentiometer description
dir. 1-2 (5-6) see 1/240ff
Arrangement dir. 1-2 (5-6)
see 5/001
special please describe