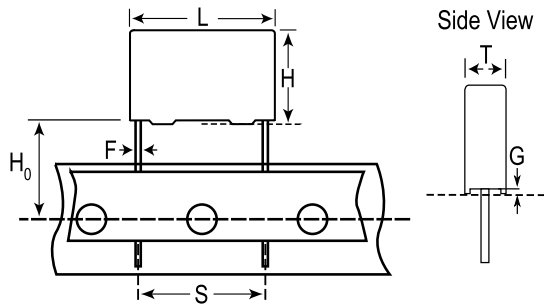


F461, Film, Metallized Polypropylene, General Purpose, 2.2 uF, 10%, 400 VDC, 85C, Lead Spacing = 22.5mm



General Information	
Supplier:	KEMET
Series:	F461
Dielectric:	Metallized Polypropylene
Style:	Radial
Features:	MKP, Pulse
RoHS:	Yes
Lead:	Wire Leads
Miscellaneous:	The Rated Voltage Decreases 2%/C Between +85C And +105C (1.25%/C For AC). ClimCat: 55/105/56

Dimensions	
L	26mm MAX
H	24.5mm MAX
T	15.5mm MAX
S	22.5mm +0.6/-0.1mm
H0	18.5mm +/-0.5mm
F	0.8mm +/-0.05mm
G	0.5mm NOM

Specifications	
Capacitance:	2.2 uF
Capacitance Tolerance:	10%
Voltage AC:	220 VAC
Voltage DC:	400 VDC, 240 VDC (105C)
Temperature Range:	-55/+105C
Rated Temperature:	85C
Dissipation Factor:	0.1% 1kHz
Insulation Resistance:	13.636 GOhms
Max dV/dt:	300 V/us
Inductance:	6 nH

Packaging Specifications	
Packaging:	Ammo, 360x340x59mm, Box
Packaging Quantity:	170

Statements of suitability for certain applications are based on our knowledge of typical operating conditions for such applications, but are not intended to constitute - and we specifically disclaim - any warranty concerning suitability for a specific customer application or use. This Information is intended for use only by customers who have the requisite experience and capability to determine the correct products for their application. Any technical advice inferred from this Information or otherwise provided by us with reference to the use of our products is given gratis, and we assume no obligation or liability for the advice given or results obtained.