

# DII gG 25A/500V



## Specifications

ETI Code	002312407
Description	DII gG 25A/500V
Weight	.03
Level	Fuse links gG
Product group	D Low voltage Fuses
Characteristics	gL/gG (cable protection/equipment protection)
Rated AC voltage (V)	500
Rated current (A)	25
Type	D
Size	DII
Breaking capacity AC (kA)	50
Breaking capacity DC (kA)	8
Rated DC voltage (V)	250
Dimensions	E27
Indicator	visual top

Online product page 

## Other documentation



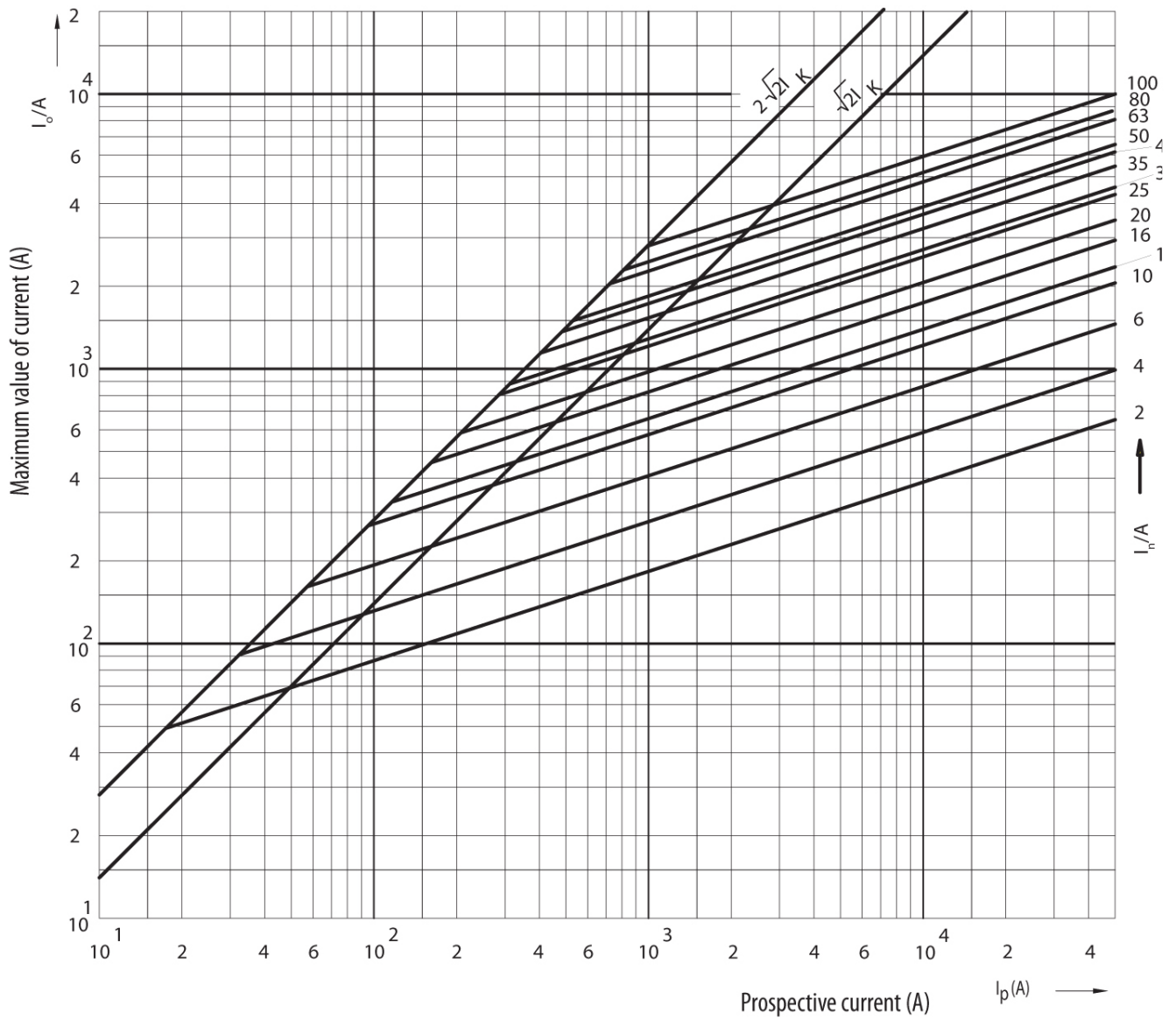
Technical data catalogue  
COM\_PRODUCT\_Certificate  
EU declaration



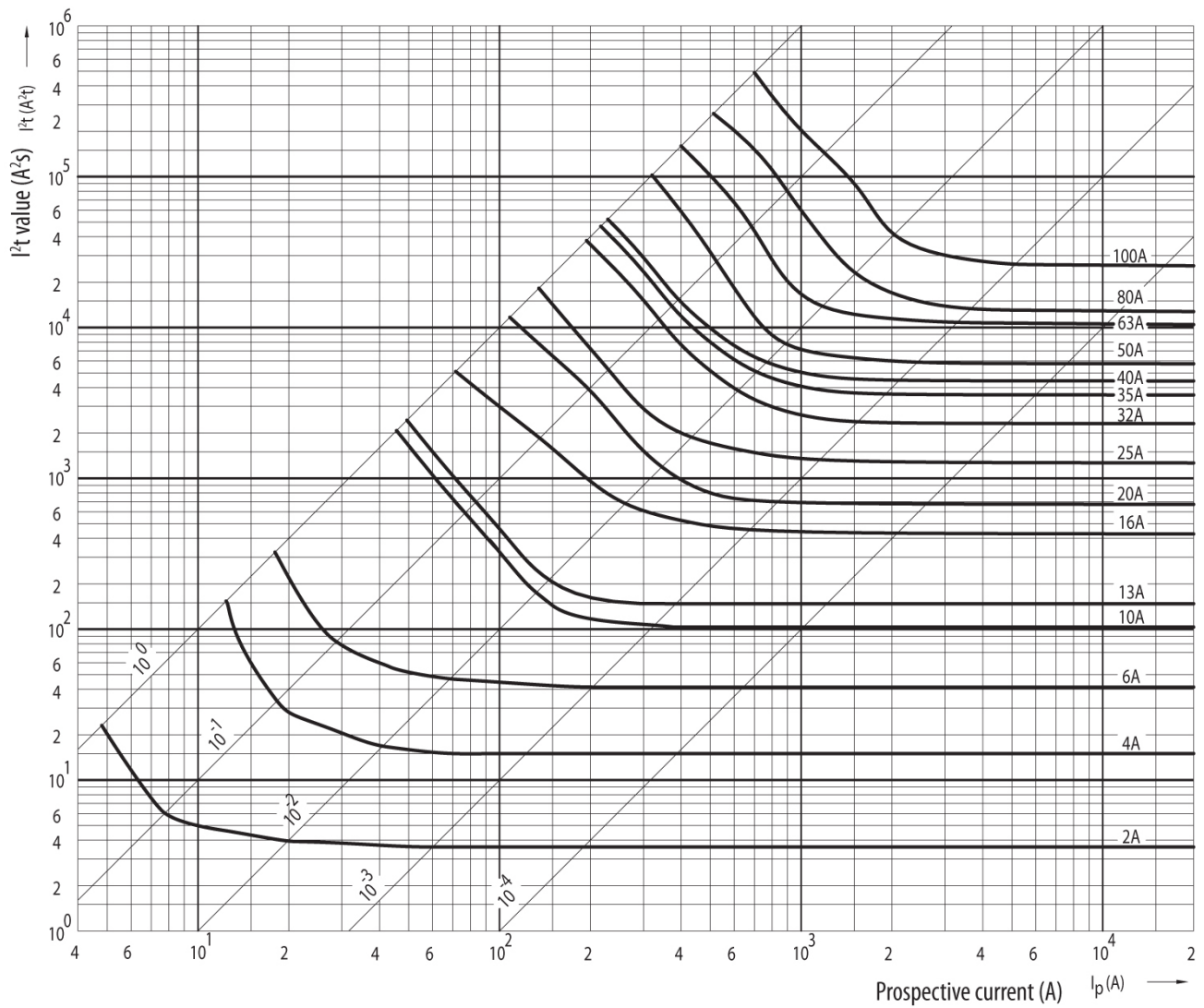
## ETIM international classification

Nominal rated current	25A
Nominal rated voltage	V
Release characteristic	
Colour code	
Construction size	DII
Utilization category	gL/gG (cable protection/equipment protection)
Type of fuse status indicator	visual top
Breaking capacity	50
Rated voltage at DC	250
Max. rated operation voltage Ue AC	500

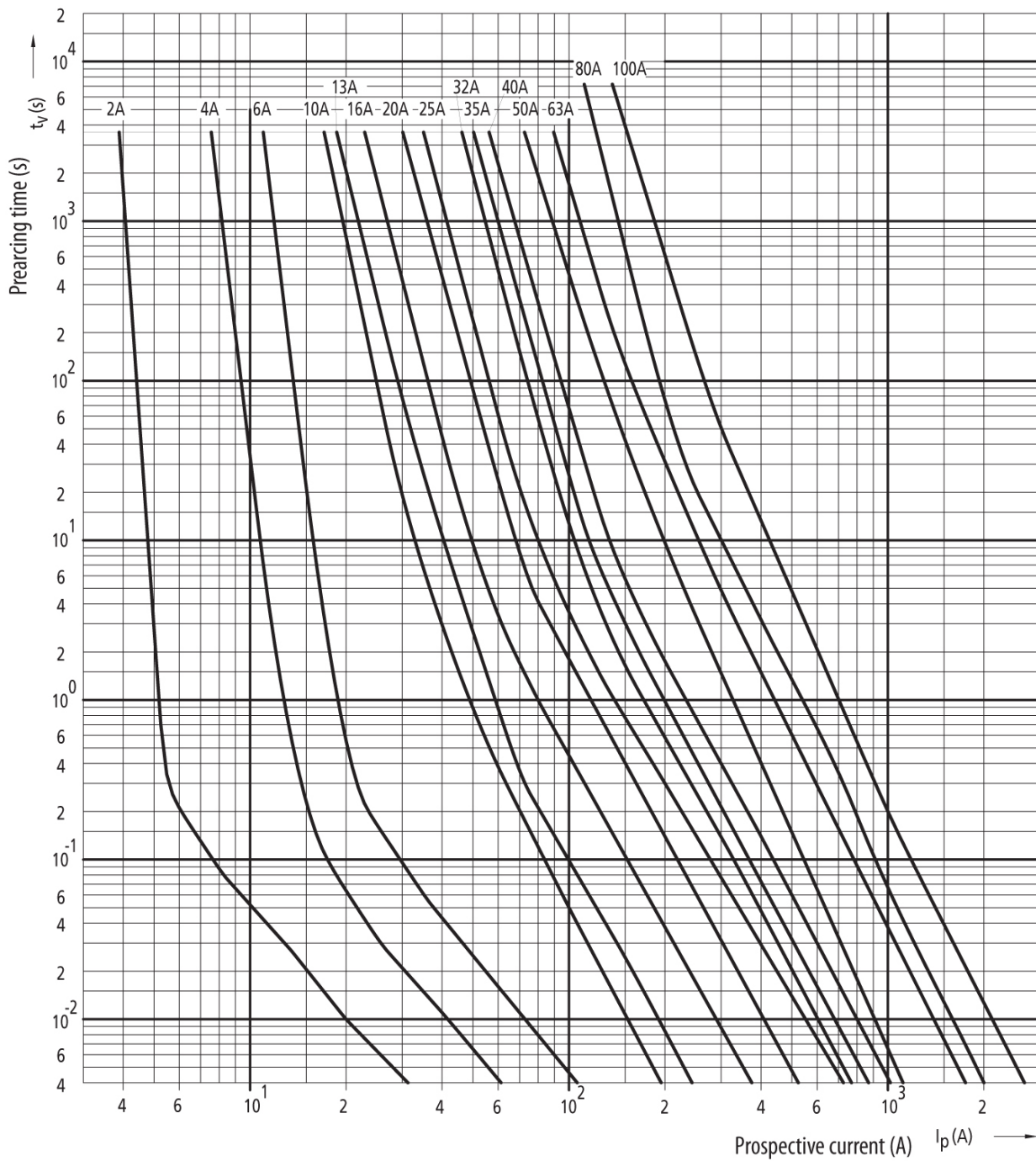
# Cut-off current characteristics



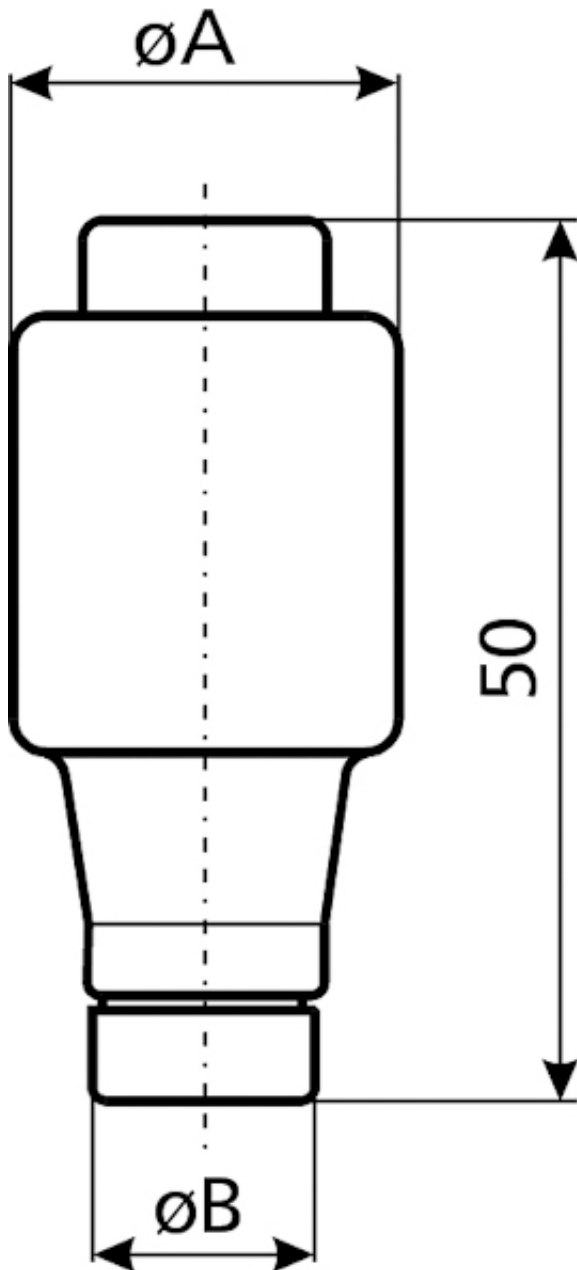
# Melting energy characteristics



# Time current characteristics



## Dimension drawing



[A]	$\varnothing A$	$\varnothing B$
2	21,5	6
4	21,5	6
6	21,5	6
10	21,5	8
13	21,5	8
16	21,5	10
20	21,5	12
25	21,5	14