

DII gG 10A/500V



Specifications

ETI Code	002312404
Description	DII gG 10A/500V
Weight	.03
Level	Fuse links gG
Product group	D Low voltage Fuses
Characteristics	gL/gG (cable protection/equipment protection)
Rated AC voltage (V)	500
Rated current (A)	10
Type	D
Size	DII
Breaking capacity AC (kA)	50
Breaking capacity DC (kA)	8
Rated DC voltage (V)	250
Dimensions	E27
Indicator	visual top

Online product page

Other documentation



Technical data catalogue

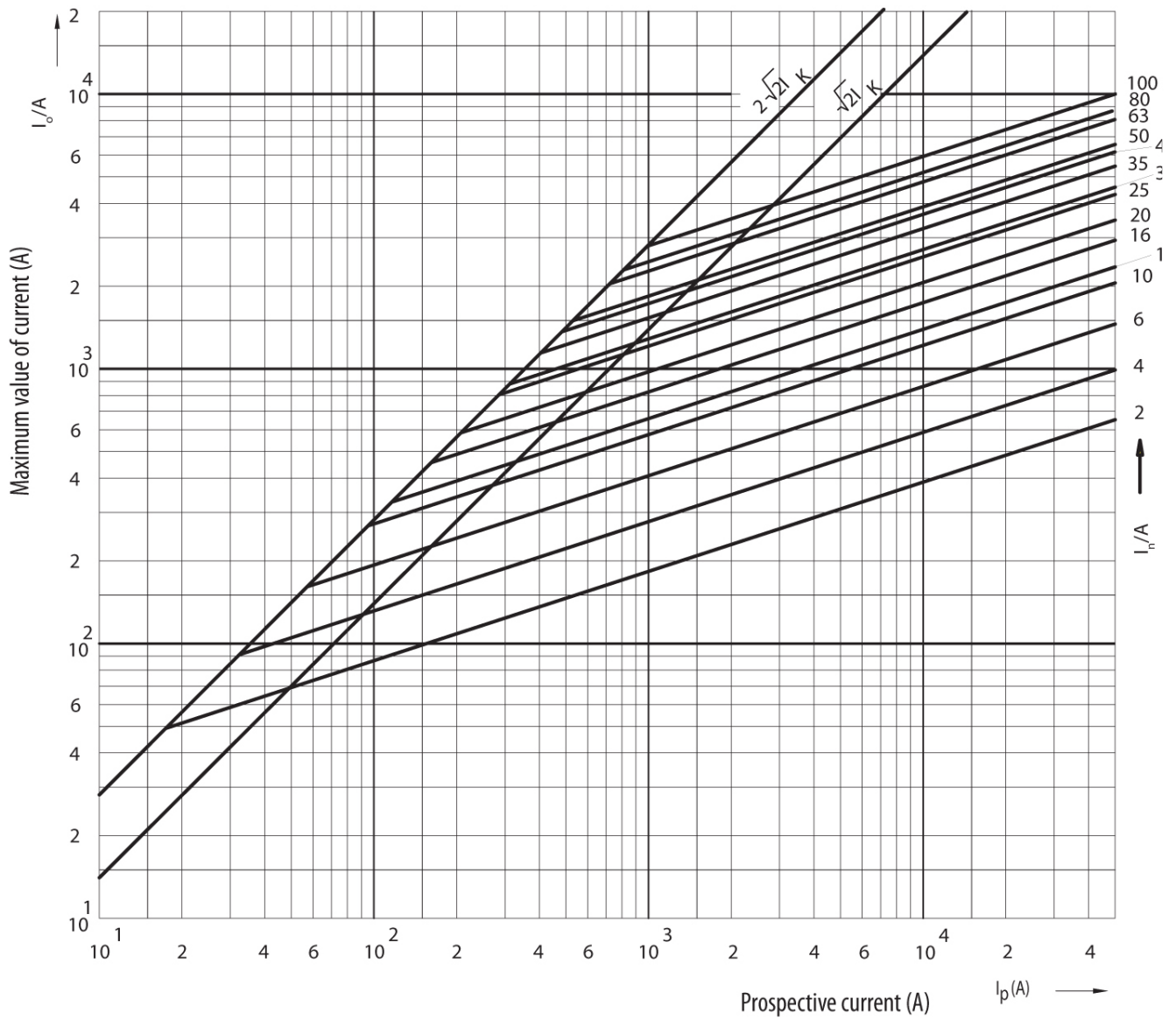
EU declaration



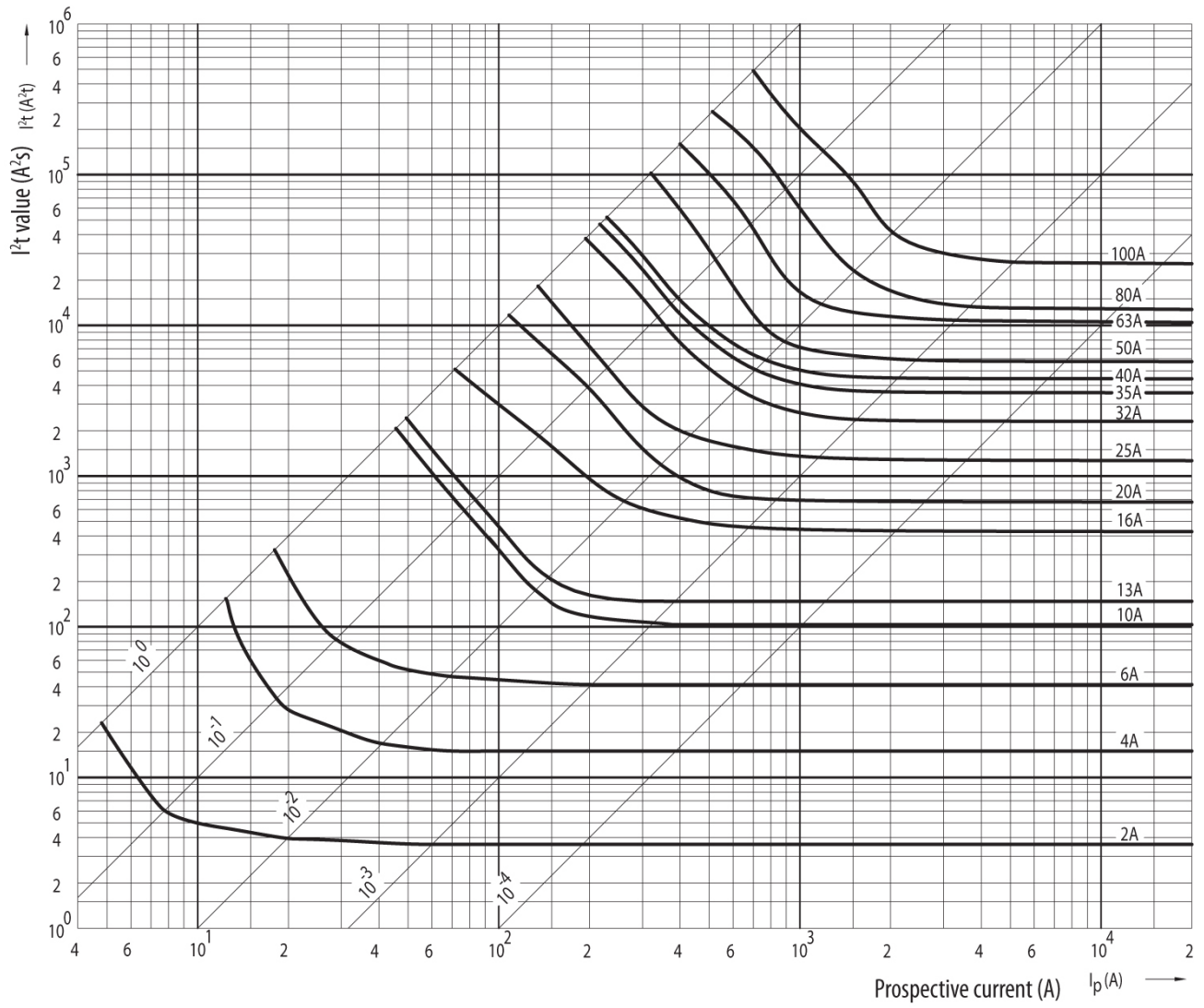
ETIM international classification

Nominal rated current	10A
Nominal rated voltage	500V
Release characteristic	Time-lag
Colour code	Red
Construction size	DII
Utilization category	gL/gG (cable protection/equipment protection)

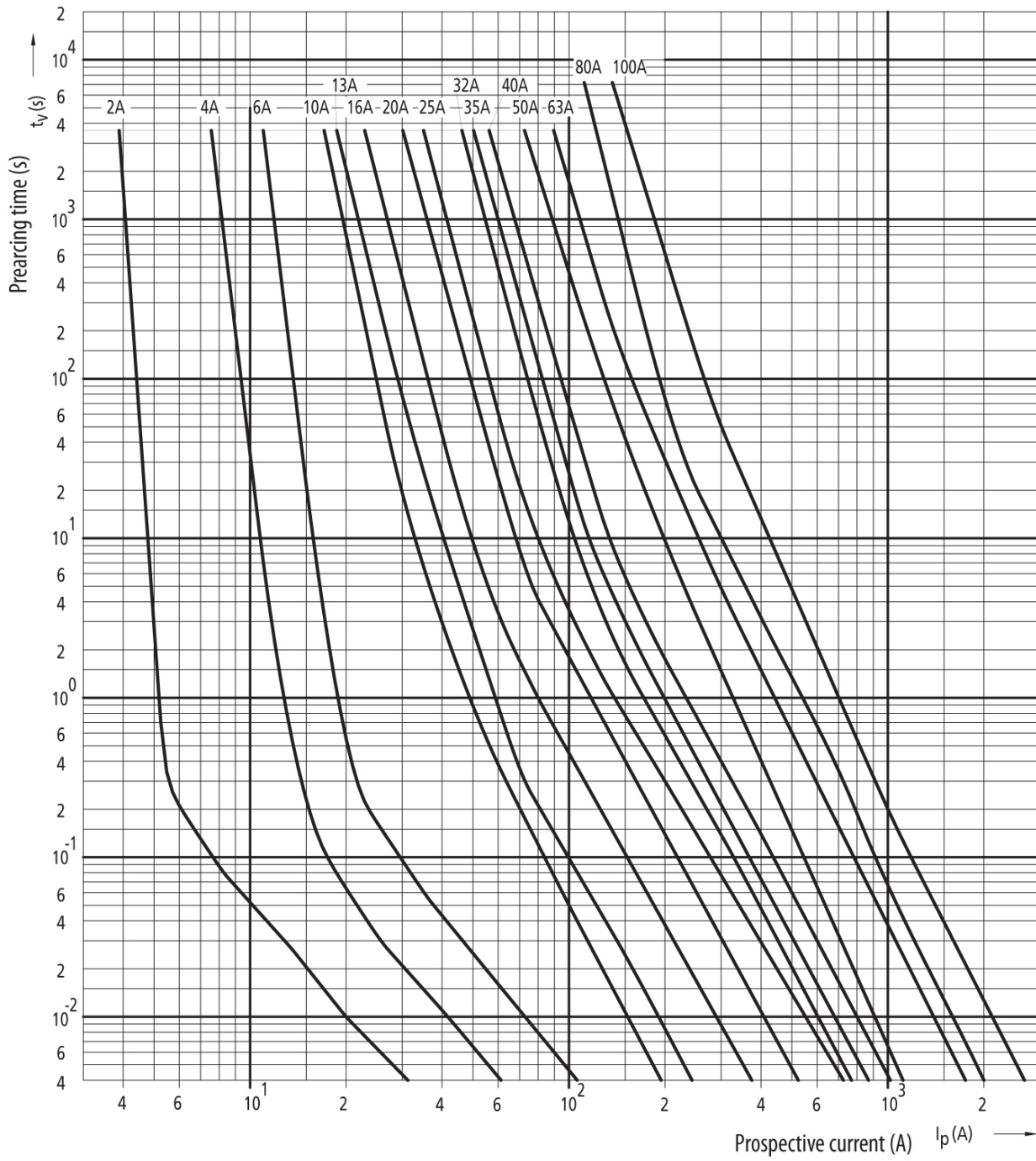
Cut-off current characteristics



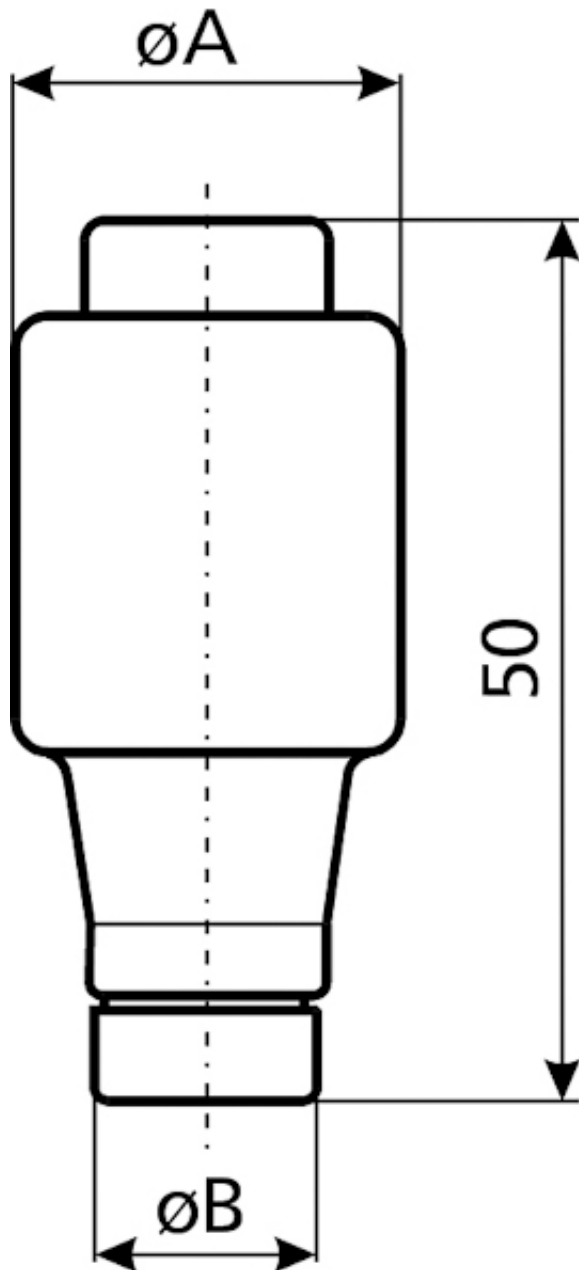
Melting energy characteristics



Time current characteristics



Dimension drawing



[A]	$\varnothing A$	$\varnothing B$
2	21,5	6
4	21,5	6
6	21,5	6
10	21,5	8
13	21,5	8
16	21,5	10
20	21,5	12
25	21,5	14