

DII gG 4A/500V



Specifications

ETI Code	002312402
Description	DII gG 4A/500V
Weight	24
Level	Fuse links gG
Rated current (A)	4
Type	D
Size	DII
Characteristics	gG
Rated AC voltage (V)	500
Rated DC voltage (V)	250
Dimensions	E27
Indicator	Top fuse status indicator
Breaking capacity AC (kA)	50
Breaking capacity DC (kA)	8
Standards	DIN EN 60269-1, DIN EN 60269-3
Application	For cable protection
Breaking capacity AC (kA)	50
Breaking capacity DC (kA)	8
Dimensions	E27
Indicator	Top fuse status indicator
Standards	DIN EN 60269-1, DIN EN 60269-3

[Online product page](#)

Other documentation



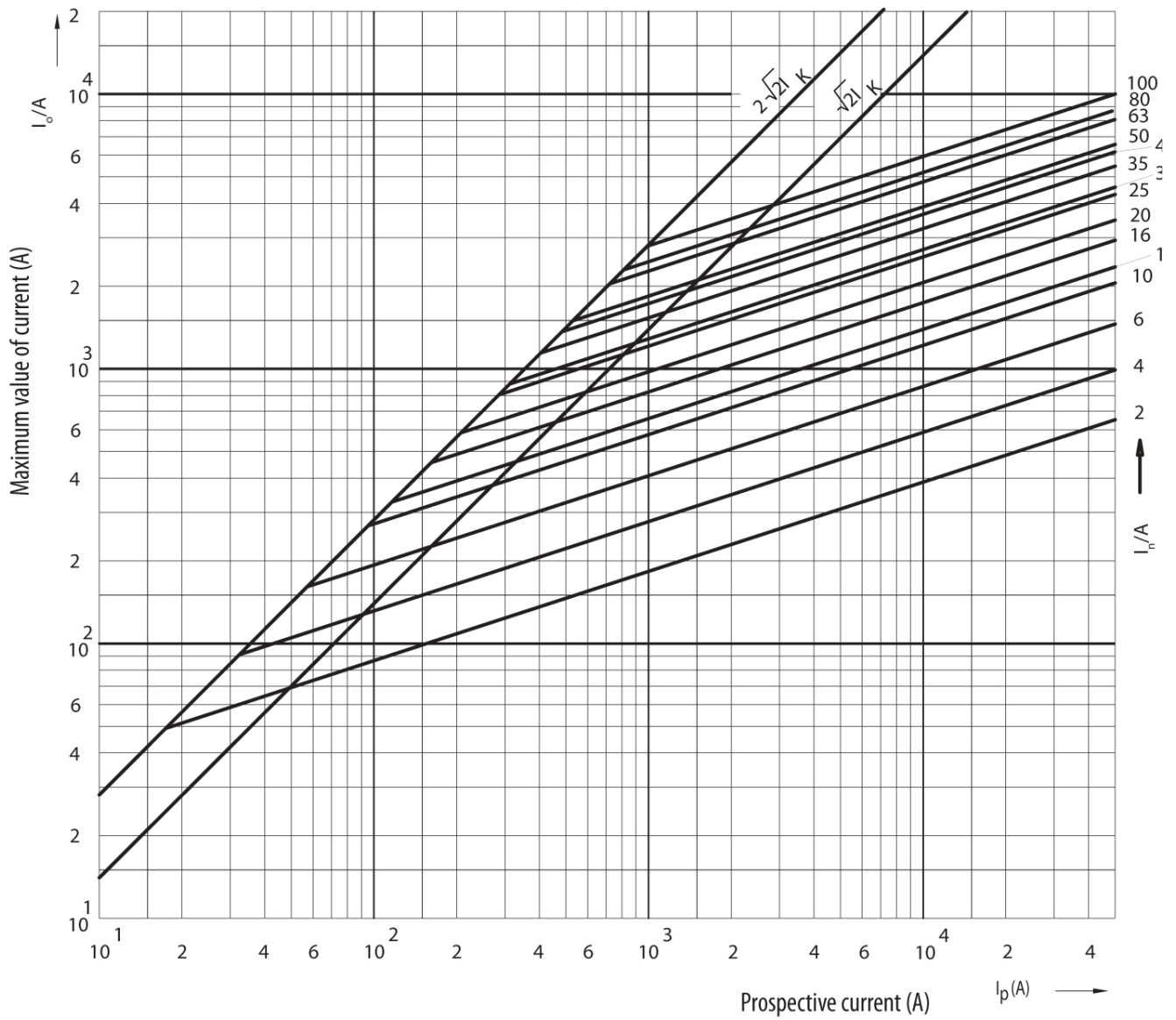
[Technical data catalogue](#)
[EU declaration](#)



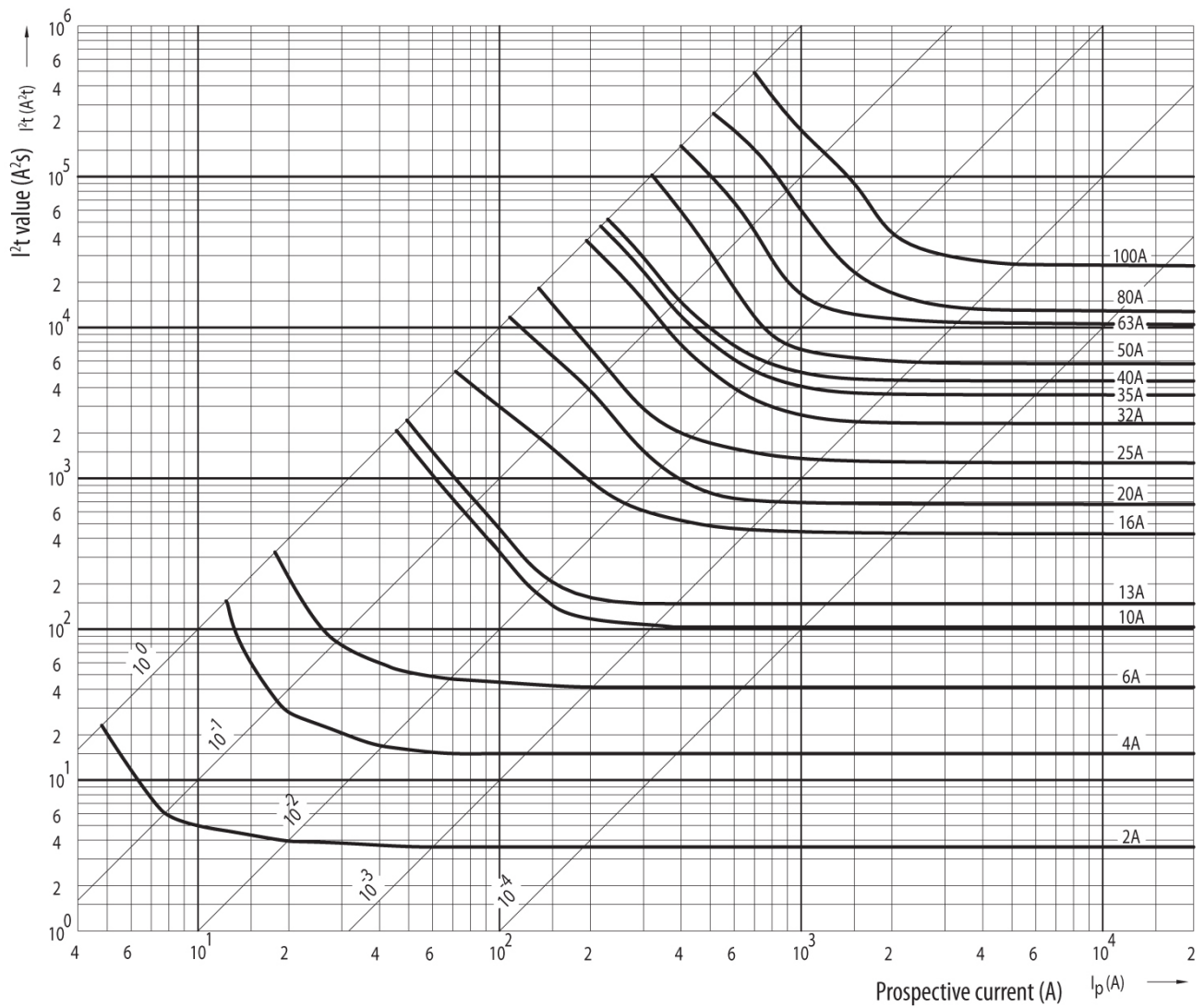
ETIM international classification

Application	For cable protection
Nominal rated current	4A
Nominal rated voltage	500V
Release characteristic	Time-lag
Colour code	Brown
Construction size	DII
Type of fuse status indicator	Top fuse status indicator
Breaking capacity	50
Rated voltage at DC	250
Max. rated operation voltage Ue AC	500

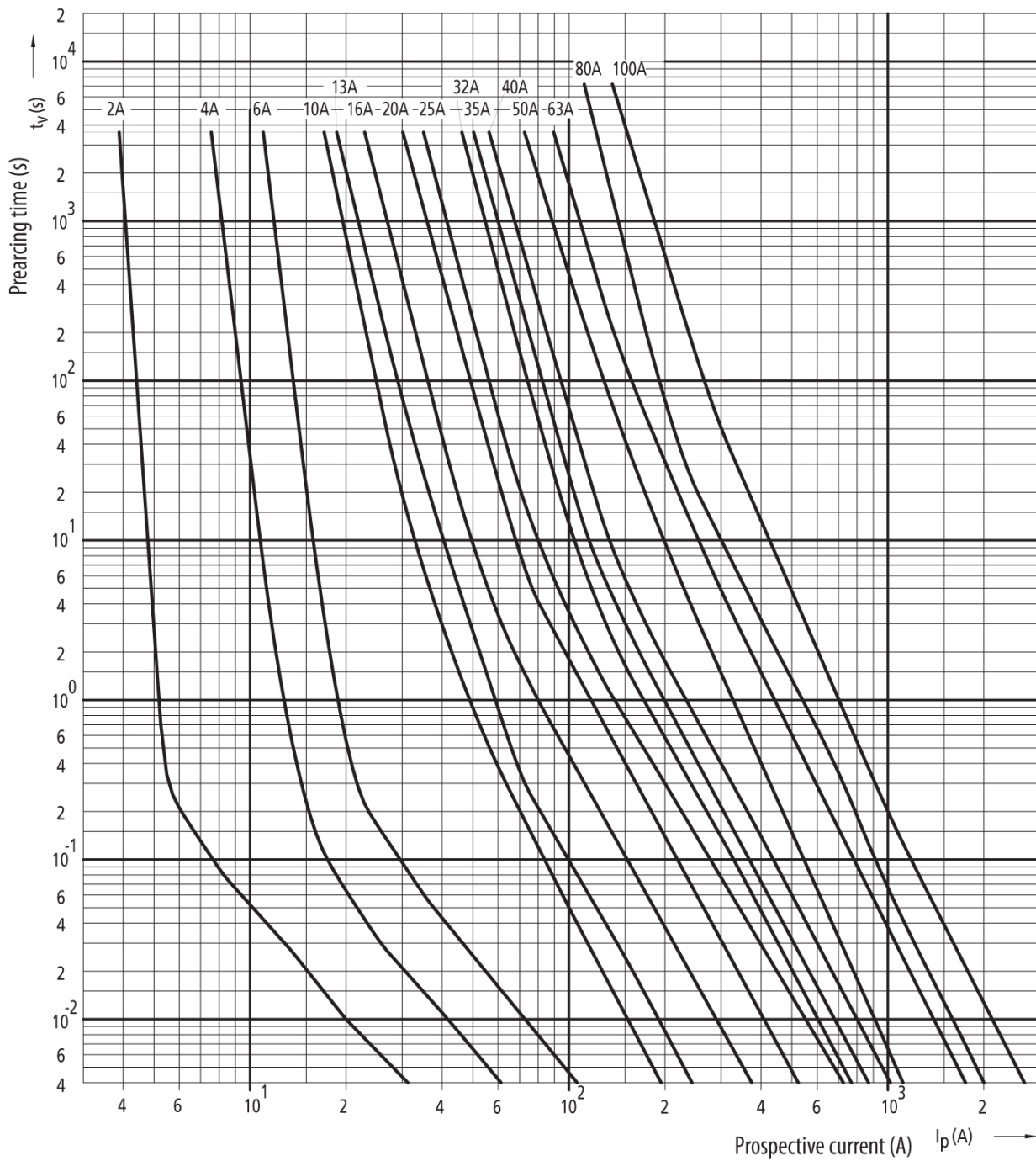
Cut-off current characteristics



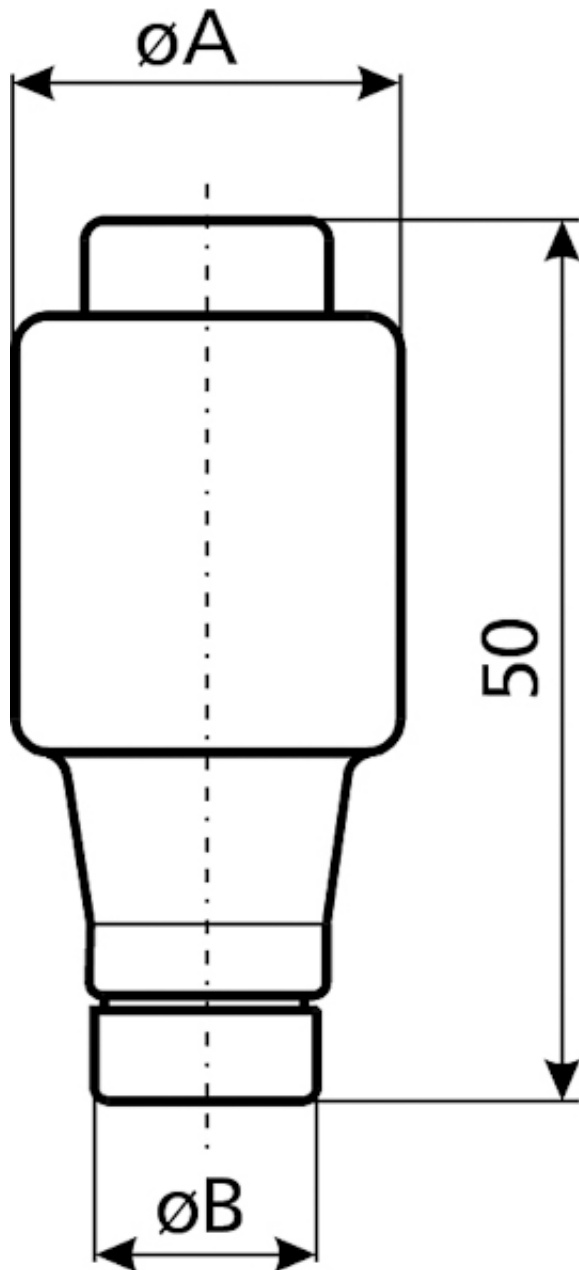
Melting energy characteristics



Time current characteristics



Dimension drawing



[A]	$\varnothing A$	$\varnothing B$
2	21,5	6
4	21,5	6
6	21,5	6
10	21,5	8
13	21,5	8
16	21,5	10
20	21,5	12
25	21,5	14