

## DII gG 2A/500V



### Specifications

|                           |                                |
|---------------------------|--------------------------------|
| ETI Code                  | 002312401                      |
| Description               | DII gG 2A/500V                 |
| Weight                    | 24                             |
| Level                     | Fuse links gG                  |
| Rated current (A)         | 2                              |
| Type                      | D                              |
| Size                      | DII                            |
| Characteristics           | gG                             |
| Rated AC voltage (V)      | 500                            |
| Rated DC voltage (V)      | 250                            |
| Dimensions                | E27                            |
| Indicator                 | Top fuse status indicator      |
| Breaking capacity AC (kA) | 50                             |
| Breaking capacity DC (kA) | 8                              |
| Standards                 | DIN EN 60269-1, DIN EN 60269-3 |
| Application               | For cable protection           |
| Breaking capacity AC (kA) | 50                             |
| Breaking capacity DC (kA) | 8                              |
| Dimensions                | E27                            |
| Indicator                 | Top fuse status indicator      |
| Standards                 | DIN EN 60269-1, DIN EN 60269-3 |

[Online product page](#)

### Other documentation



[Technical data catalogue](#)  
[EU declaration](#)

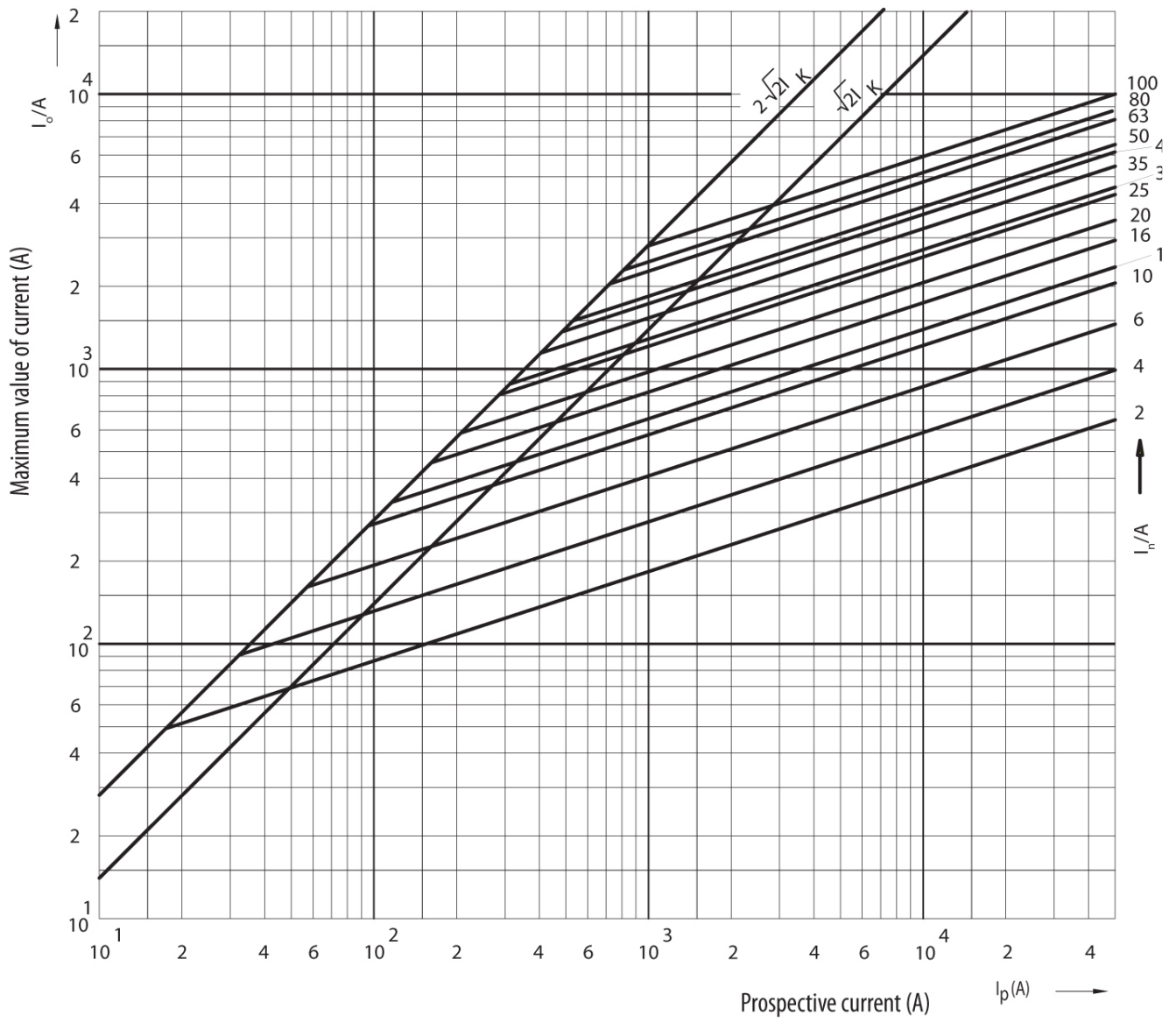


### ETIM international classification

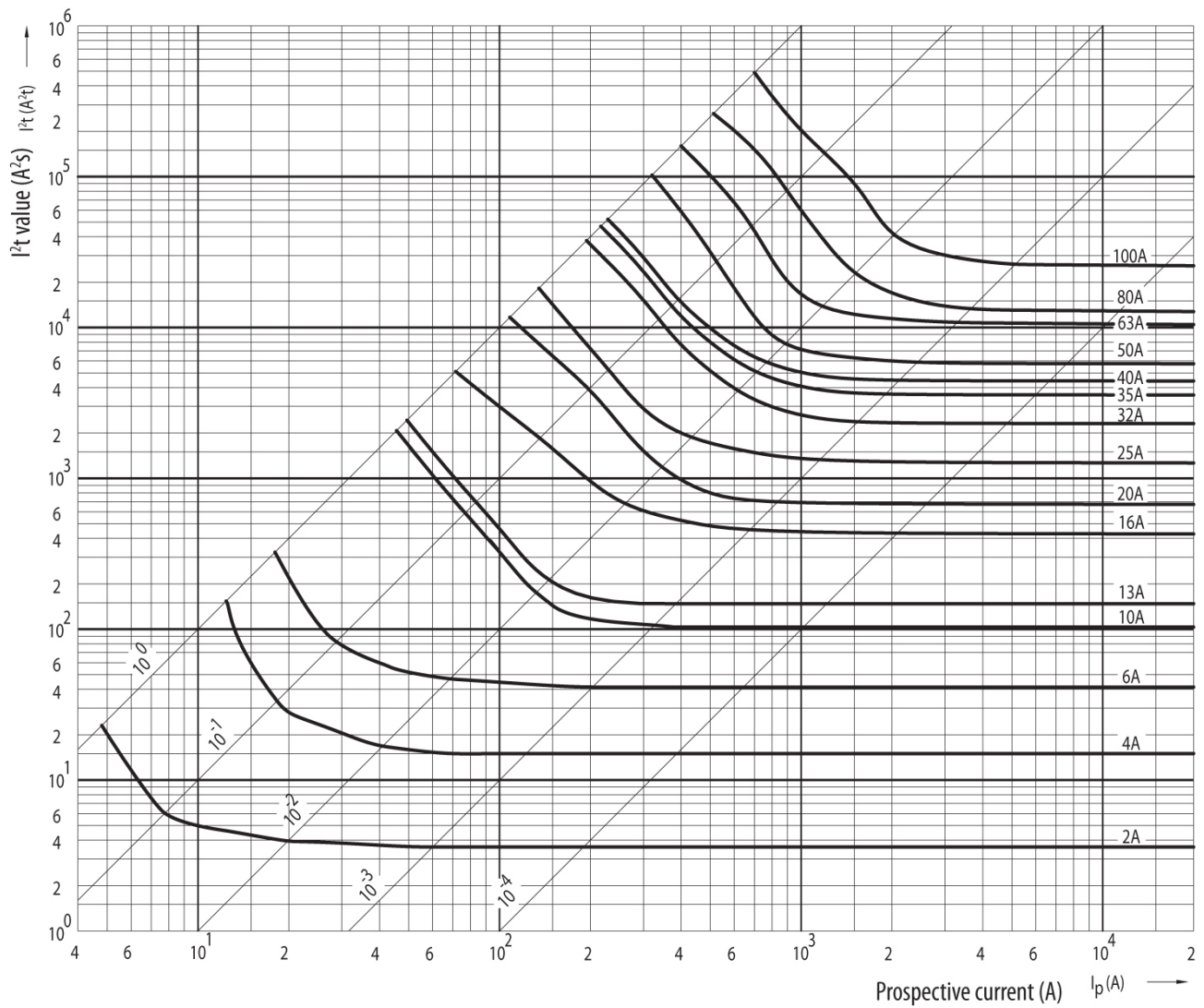
|                                    |                           |
|------------------------------------|---------------------------|
| Application                        | For cable protection      |
| Nominal rated current              | 2A                        |
| Nominal rated voltage              | 500V                      |
| Release characteristic             | Time-lag                  |
| Colour code                        | Pink                      |
| Construction size                  | DII                       |
| Type of fuse status indicator      | Top fuse status indicator |
| Breaking capacity                  | 50                        |
| Rated voltage at DC                | 250                       |
| Max. rated operation voltage Ue AC | 500                       |



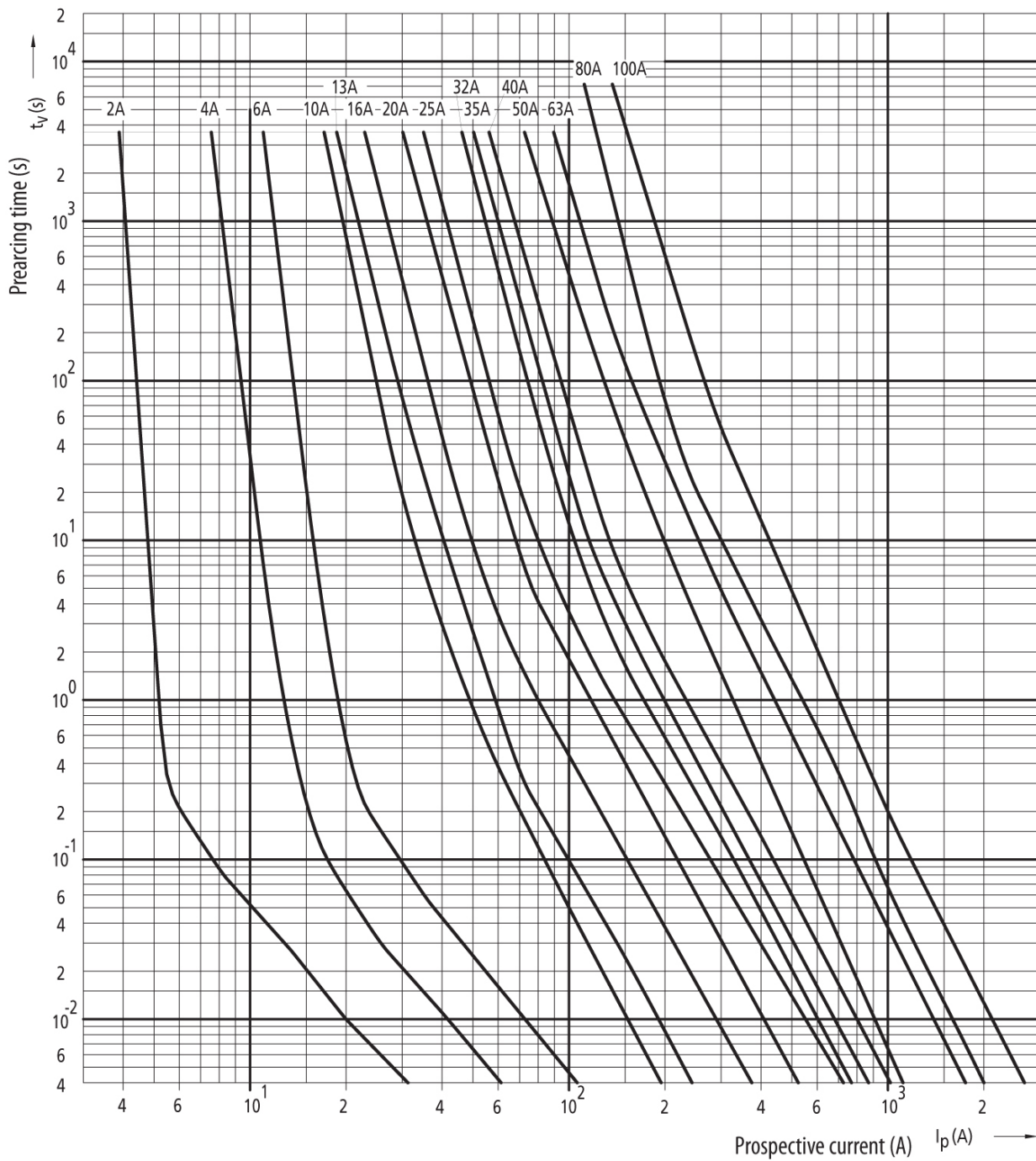
# Cut-off current characteristics



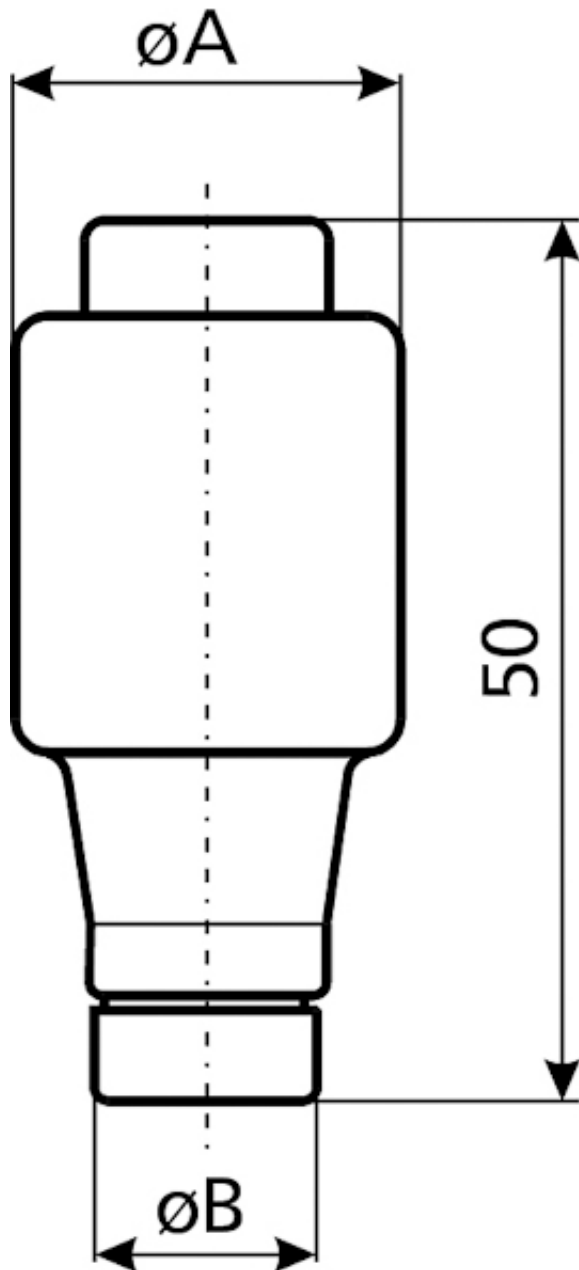
# Melting energy characteristics



# Time current characteristics



## Dimension drawing



| [A] | $\varnothing A$ | $\varnothing B$ |
|-----|-----------------|-----------------|
| 2   | 21,5            | 6               |
| 4   | 21,5            | 6               |
| 6   | 21,5            | 6               |
| 10  | 21,5            | 8               |
| 13  | 21,5            | 8               |
| 16  | 21,5            | 10              |
| 20  | 21,5            | 12              |
| 25  | 21,5            | 14              |