



ESSENTRA

COMPONENTS

FIND THE SPACERS YOU NEED

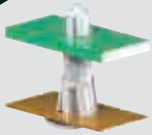
Our wide range is all about choice, whether it's a hex standoff for high-critical strength, or PCB support for various locking methods.

We have the specialist knowledge, products, and ability to support your Circuit Board Hardware needs.

You can also try before you buy with free samples on selected products. It's the perfect way to find out if your choice will fit your needs.

To get your free sample, call us on **0845 758 5070** or email sales@essentracomponents.co.uk

www.essentracomponents.co.uk



CIRCUIT BOARD HARDWARE

DUAL LOCKING SPACERS



126

PUSH SPACERS



143

REVERSE LOCKING SPACERS



147

SPECIALIST SPACERS



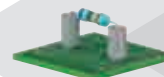
152

THREADED AND
NON-THREADED SPACERS



162

INSULATORS



183

DUAL LOCKING SPACERS

Locking Circuit Board Support

LCBST/CLCBST/LMSP/CBS/LNCBS

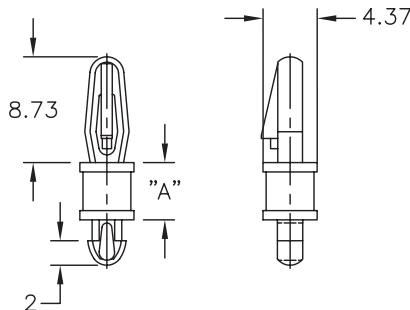
Natural



LCBST

Top Hole: Snap-lock: 3.18 ± 0.05
Panel Thickness: 1.57

Type 1

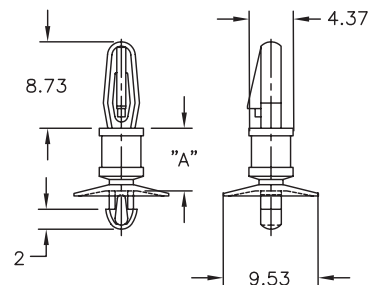


Bottom Hole: Snap-lock: 2.54 ± 0.05
Panel Thickness: 1.63 Max.

CLCBST

Top Hole: Snap-lock: 3.18 ± 0.05
Panel Thickness: 1.57

Type 2

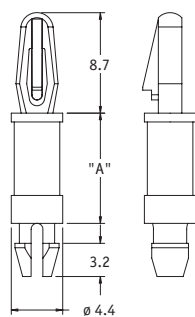


Bottom Hole: Snap-lock: 2.54 ± 0.05
Panel Thickness: 1.57

LMSP

Top Hole: Snap-lock: 3.18 ± 0.05
Panel Thickness: 1.57

Type 3

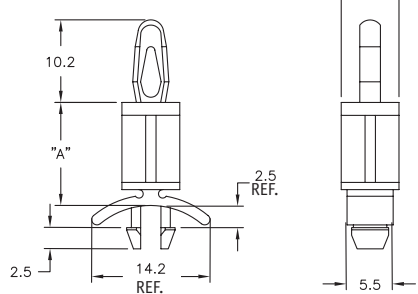


Bottom Hole: Snap-lock: 3.18 ± 0.05
Panel Thickness: 1.57

CBS

Top Hole: Snap-fit: 4 ± 0.08
Panel Thickness: 1.57

Type 4

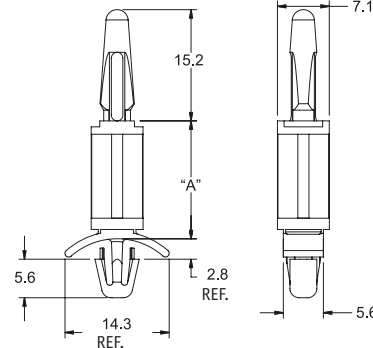


Bottom Hole: Snap-lock: 4.75 ± 0.08
Panel Thickness: 0.79 - 1.98

LNCBS

Top Hole: Snap-fit: 4 ± 0.08
Panel Thickness: 1.57

Type 5



Bottom Hole: Snap-lock: 4.75 ± 0.08
Panel Thickness: 0.79 - 1.98

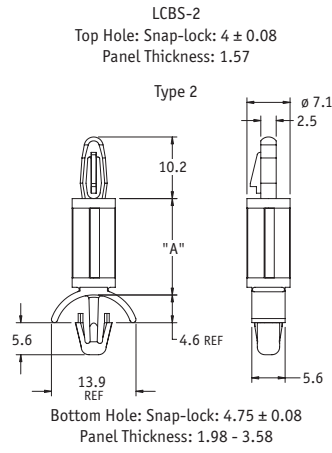
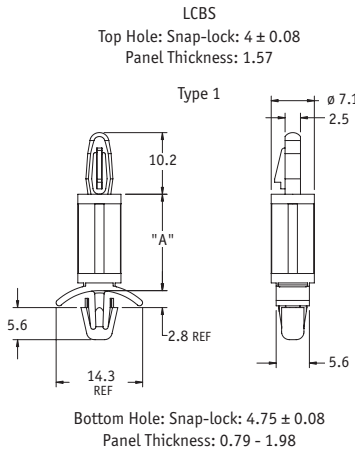
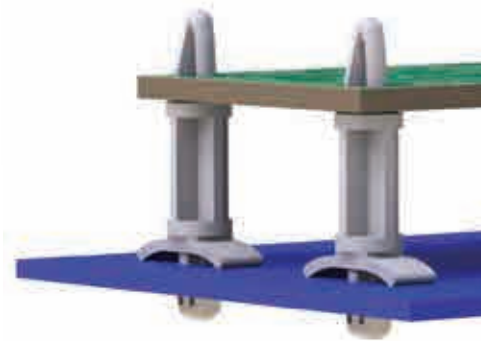
Part Number

LCBST (Type 1)	CLCBST (Type 2)	LMSP (Type 3)		CBS (Type 4)		LNCBS (Type 5)	"A" Standoff Height	Std Pack Qty
UL94 V2 Nylon 6/6, RMS-01	UL94 V2 Nylon 6/6, RMS-01	UL94 V2 Nylon 6/6 RMS-01	UL94 V0 Nylon 6/6, RMS-19	UL94 V2 Nylon 6/6, RMS-01	UL94 V0 Nylon 6/6, RMS-19	UL94 V2 Nylon 6/6, RMS-01		
LCBST-2-01	CLCBST-2-01	LMSP-2-01	LMSP-2-19	-	-	-	3.2	1000
LCBST-3-01	CLCBST-3-01	LMSP-3-01	LMSP-3-19	CBS-3-01	CBS-3-19	LNCBS-3-01	4.8	1000
LCBST-4-01	CLCBST-4-01	LMSP-4-01	LMSP-4-19	CBS-4-01	CBS-4-19	LNCBS-4-01	6.4	1000
LCBST-5-01	CLCBST-5-01	LMSP-5-01	LMSP-5-19	-	-	-	7.9	1000
LCBST-6-01	CLCBST-6-01	LMSP-6-01	LMSP-6-19	CBS-6-01	CBS-6-19	LNCBS-6-01	9.5	1000
LCBST-7-01	CLCBST-7-01	LMSP-7-01	LMSP-7-19	-	-	-	11.1	1000
LCBST-8-01	CLCBST-8-01	LMSP-8-01	LMSP-8-19	CBS-8-01	CBS-8-19	LNCBS-8-01	12.7	1000
LCBST-9-01	CLCBST-9-01	LMSP-9-01	LMSP-9-19	-	-	-	14.3	1000
LCBST-10-01	CLCBST-10-01	LMSP-10-01	LMSP-10-19	CBS-10-01	CBS-10-19	LNCBS-10-01	15.9	1000
-	-	LMSP-12-01	LMSP-12-19	CBS-12-01	CBS-12-19	LNCBS-12-01	19.1	1000
-	-	LMSP-14-01	LMSP-14-19	CBS-14-01	CBS-14-19	LNCBS-14-01	22.2	1000

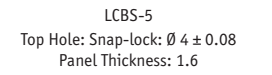
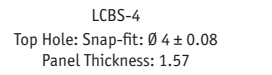
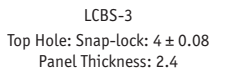
Locking Circuit Board Support

LCBS

Natural



Can't find the size you are looking for? Contact us!



Part Number										"A" Standoff Height	Std Pack Qty
LCBS (Type 1)		LCBS-2 (Type 2)		LCBS-3 (Type 3)		LCBS-4 (Type 4)		LCBS-5 (Type 5)			
UL94 V2 Nylon 6/6, RMS-01	UL94 V0 Nylon 6/6, RMS-19	UL94 V2 Nylon 6/6, RMS-01	UL94 V0 Nylon 6/6, RMS-19	UL94 V2 Nylon 6/6, RMS-01	UL94 V0 Nylon 6/6, RMS-19	UL94 V2 Nylon 6/6, RMS-01	UL94 V0 Nylon 6/6, RMS-19	UL94 V2 Nylon 6/6, RMS-01	UL94 V0 Nylon 6/6, RMS-19		
LCBS-3-01	LCBS-3-19	LCBS-2-3-01	LCBS-2-3-19	LCBS-3-3-01	LCBS-3-3-19	LCBS-4-3-01	LCBS-4-3-19	LCBS-5-3-01	LCBS-5-3-19	4.8	1000
LCBS-6M-01	-	-	-	-	-	-	-	-	-	6	1000
LCBS-4-01	LCBS-4-19	LCBS-2-4-01	LCBS-2-4-19	LCBS-3-4-01	-	LCBS-4-4-01	LCBS-4-4-19	LCBS-5-4-01	LCBS-5-4-19	6.4	1000
LCBS-5-01	-	LCBS-2-5-01	LCBS-2-5-19	LCBS-3-5-01	LCBS-3-5-19	LCBS-4-5-01	LCBS-4-5-19	LCBS-5-5-01	-	7.9	1000
LCBS-8M-01	LCBS-8M-19	-	-	-	-	-	-	-	-	8	1000
LCBS-6-01	LCBS-6-19	LCBS-2-6-01	LCBS-2-6-19	LCBS-3-6-01	-	LCBS-4-6-01	LCBS-4-6-19	LCBS-5-6-01	LCBS-5-6-19	9.5	1000
LCBS-10M-01	LCBS-10M-19	-	-	-	-	-	-	-	-	10	1000
LCBS-7-01	LCBS-7-19	LCBS-2-7-01	LCBS-2-7-19	LCBS-3-7-01	LCBS-3-7-19	LCBS-4-7-01	LCBS-4-7-19	LCBS-5-7-01	LCBS-5-7-19	11.1	1000
LCBS-12M-01	LCBS-12M-19	-	-	-	-	-	-	-	-	12	1000
LCBS-8-01	LCBS-8-19	LCBS-2-8-01	LCBS-2-8-19	LCBS-3-8-01	-	LCBS-4-8-01	LCBS-4-8-19	LCBS-5-8-01	LCBS-5-8-19	12.7	1000
LCBS-14M-01	LCBS-14M-19	-	-	-	-	-	-	-	-	14	1000
LCBS-10-01	LCBS-10-19	LCBS-2-10-01	LCBS-2-10-19	-	LCBS-3-10-19	-	LCBS-4-10-19	LCBS-5-10-01	LCBS-5-10-19	15.9	1000
LCBS-16M-01	LCBS-16M-19	-	-	-	-	-	-	-	-	16	1000
LCBS-12-01	LCBS-12-19	LCBS-2-12-01	-	LCBS-3-12-01	-	LCBS-4-12-01	LCBS-4-12-19	LCBS-5-12-01	LCBS-5-12-19	19.1	1000
LCBS-14-01	LCBS-14-19	LCBS-2-14-01	LCBS-2-14-19	LCBS-3-14-01	LCBS-3-14-19	LCBS-4-14-01	LCBS-4-14-19	-	LCBS-5-14-19	22.2	1000
LCBS-16-01	LCBS-16-19	LCBS-2-16-01	-	LCBS-3-16-01	LCBS-3-16-19	LCBS-4-16-01	LCBS-4-16-19	-	LCBS-5-16-19	25.4	1000
LCBS-18-01	-	LCBS-2-18-01	LCBS-2-18-19	LCBS-3-18-01	LCBS-3-18-19	-	LCBS-4-18-19	LCBS-5-18-01	LCBS-5-18-19	28.6	1000
LCBS-20-01	LCBS-20-19	LCBS-2-20-01	LCBS-2-20-19	-	LCBS-3-20-19	LCBS-4-20-01	-	LCBS-5-20-01	LCBS-5-20-19	31.7	1000
LCBS-22-01	LCBS-22-19	LCBS-2-22-01	LCBS-2-22-19	LCBS-3-22-01	LCBS-3-22-19	-	LCBS-4-22-19	LCBS-5-22-01	LCBS-5-22-19	34.9	1000

DUAL LOCKING SPACERS

Locking Circuit Board Support *CONTINUED*

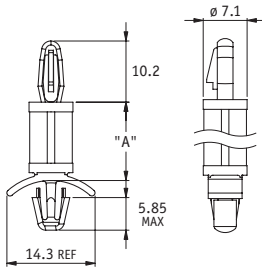
LCBS

- Type 10 - Max Temperature 200°C

LCBS-6

Top Hole: Snap-lock: $\varnothing 4$
Panel Thickness: 3.2

Type 6

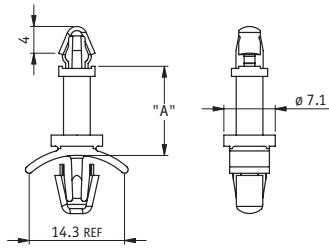


Bottom Hole: $\varnothing 4.8$
Panel Thickness: 2 - 3.2

LCBS-7

Top Hole: Snap-lock: $\varnothing 4 \pm 0.08$
Panel Thickness: 1.6

Type 7

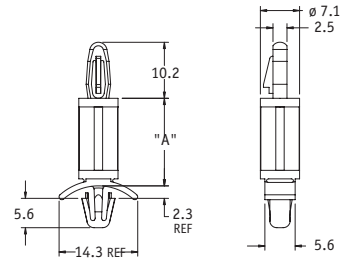


Bottom Hole Snap-lock: $\varnothing 4.75 \pm 0.08$
Panel Thickness: 0.8 - 2

LCBS-8

Top Hole: Snap-lock: 4 ± 0.08
Panel Thickness: 1.57

Type 8

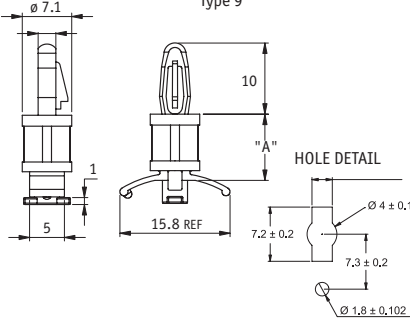


Bottom Hole: Snap-lock: 4.75 ± 0.08
Panel Thickness: 0.2 - 1.4

LCBS-9

Top Hole: Snap-lock: $\varnothing 4 \pm 0.08$
Panel Thickness: 1.6

Type 9

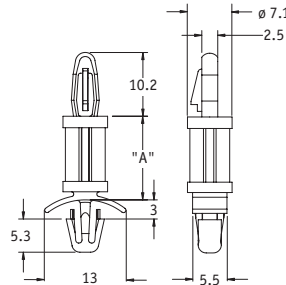


Bottom Hole: See Hole Detail
Panel Thickness: 0.8 - 1.6

LCBS-HT

Top Hole: Snap-lock: $\varnothing 4 \pm 0.08$
Panel Thickness: 1.57

Type 10

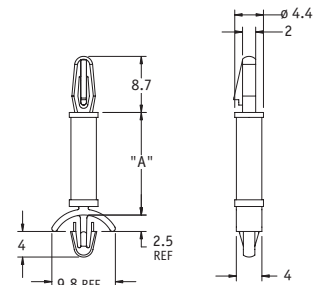


Bottom Hole: Snap-lock: 4.75 ± 0.08
Panel Thickness: 0.79 - 1.98

LCBSM

Top Hole: Snap-lock: 3.18 ± 0.05
Panel Thickness: 1.57

Type 11



Bottom Hole: Snap-lock: 3.18 ± 0.05
Panel Thickness: 0.79 - 1.98

LCBS-6 (Type 6)		LCBS-7 (Type 7)		LCBS-8 (Type 8)		LCBS-9 (Type 9)		LCBS-HT (Type 10)	LCBSM (Type 11)	"A" Standoff Height	Std Pack Qty
Natural UL94 V2 Nylon 6/6, RMS-01	Natural UL94 V0 Nylon 6/6, RMS-19	Natural UL94 V2 Nylon 6/6, RMS-01	Natural UL94 V0 Nylon 6/6, RMS-19	Natural UL94 V2 Nylon 6/6, RMS-01	Natural UL94 V0 Nylon 6/6, RMS-19	Natural UL94 V2 Nylon 6/6, RMS-01	Natural UL94 V0 Nylon 6/6, RMS-19	Black UL94 V0 PEI, RMS-162	Natural UL94 V2 Nylon 6/6, RMS-01		
-	-	-	-	-	-	-	-	-	LCBSM-2-01	3.2	1000
LCBS-6-3-01	LCBS-6-3-19	LCBS-7-3-01	LCBS-7-3-19	LCBS-8-3-01	LCBS-8-3-19	LCBS-9-3-01	LCBS-9-3-19	LCBS-3-HT	LCBSM-3-01	4.8	1000
LCBS-6-4-01	LCBS-6-4-19	LCBS-7-4-01	LCBS-7-4-19	LCBS-8-4-01	LCBS-8-4-19	LCBS-9-4-01	LCBS-9-4-19	LCBS-4-HT	LCBSM-4-01	6.4	1000
LCBS-6-5-01	LCBS-6-5-19	LCBS-7-5-01	LCBS-7-5-19	LCBS-8-5-01	LCBS-8-5-19	LCBS-9-5-01	LCBS-9-5-19	LCBS-5-HT	LCBSM-5-01	7.9	1000
LCBS-6-6-01	LCBS-6-6-19	LCBS-7-6-01	-	LCBS-8-6-01	LCBS-8-6-19	-	LCBS-9-6-19	LCBS-6-HT	LCBSM-6-01	9.5	1000
-	LCBS-6-7-19	LCBS-7-7-01	LCBS-7-7-19	LCBS-8-7-01	LCBS-8-7-19	LCBS-9-7-01	LCBS-9-7-19	LCBS-7-HT	LCBSM-7-01	11.1	1000
LCBS-6-8-01	LCBS-6-8-19	LCBS-7-8-01	LCBS-7-8-19	LCBS-8-8-01	LCBS-8-8-19	-	LCBS-9-8-19	-	LCBSM-8-01	12.7	1000
-	-	-	-	-	-	-	-	-	LCBSM-9-01	14.3	1000
LCBS-6-10-01	-	LCBS-7-10-01	LCBS-7-10-19	LCBS-8-10-01	LCBS-8-10-19	-	-	LCBS-10-HT	LCBSM-10-01	15.9	1000
LCBS-6-12-01	LCBS-6-12-19	LCBS-7-12-01	LCBS-7-12-19	LCBS-8-12-01	LCBS-8-12-19	LCBS-9-12-01	LCBS-9-12-19	LCBS-12-HT	-	19.1	1000
LCBS-6-14-01	LCBS-6-14-19	LCBS-7-14-01	-	LCBS-8-14-01	LCBS-8-14-19	LCBS-9-14-01	LCBS-9-14-19	LCBS-14-HT	-	22.2	1000
LCBS-6-16-01	-	LCBS-7-16-01	LCBS-7-16-19	LCBS-8-16-01	LCBS-8-16-19	LCBS-9-16-01	LCBS-9-16-19	LCBS-16-HT	-	25.4	1000
LCBS-6-18-01	LCBS-6-18-19	LCBS-7-18-01	LCBS-7-18-19	LCBS-8-18-01	LCBS-8-18-19	LCBS-9-18-01	-	LCBS-18-HT	-	28.6	1000
LCBS-6-20-01	LCBS-6-20-19	LCBS-7-20-01	LCBS-7-20-19	-	LCBS-8-20-19	LCBS-9-20-01	LCBS-9-20-19	LCBS-20-HT	-	31.7	1000
LCBS-6-22-01	LCBS-6-22-19	LCBS-7-22-01	LCBS-7-22-19	-	LCBS-8-22-19	LCBS-9-22-01	LCBS-9-22-19	LCBS-22-HT	-	34.9	1000

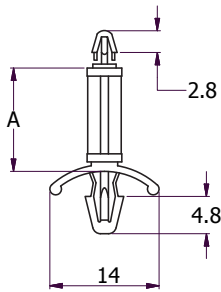
Dual Locking Circuit Board Support

CBDLS

Natural UL94 V-2 Nylon 6/6

- Easily mounted by hand
- Arrowhead fixings held firmly in place with tension wings

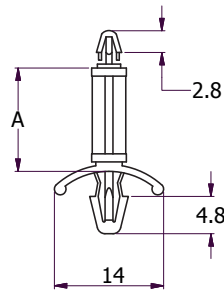
Top Hole: Snap Lock: \varnothing 3.5
Panel Thickness: 1.2-1.7



Type 1

Bottom Hole: Snap Lock: \varnothing 4.8
Panel Thickness: 0.8-2.2

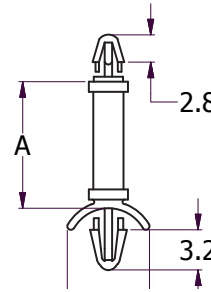
Top Hole: Snap Lock: \varnothing 3.0
Panel Thickness: 1.2-1.7



Type 2

Bottom Hole: Snap Lock: \varnothing 4.8
Panel Thickness: 0.8-2.2

Top Hole: Snap Lock: \varnothing 3.0
Panel Thickness: 1.2-1.7

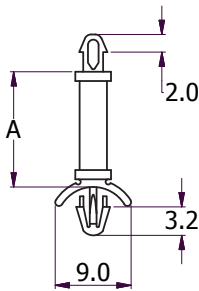


Type 3

Bottom Hole: Snap Lock: \varnothing 3.0
Panel Thickness: 0.8-2.2



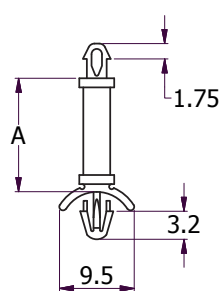
Top Hole: Snap Lock: \varnothing 2.5
Panel Thickness: 1.6



Type 4

Bottom Hole: Snap Lock: \varnothing 3.0-3.2
Panel Thickness: 0.8-2.0

Top Hole: Snap Lock: \varnothing 2.0
Panel Thickness: 1.6



Type 5

Bottom Hole: Snap Lock: \varnothing 3.0-3.2
Panel Thickness: 0.8-2.0

Part Number					"A" Standoff Height (mm)	Std Pack Qty
CBLS1 (Type 1)	CBLS2 (Type 2)	CBLS3 (Type 3)	CBLS4 (Type 4)	CBLS5 (Type 5)		
CBLS105A	CBLS205A	CBLS305A	CBLS405A	CBLS505A	3.2	1000
-	CBLS210A	CBLS310A	CBLS410A	CBLS510A	4.8	1000
CBLS110A	-	-	-	-	5.0	1000
CBLS115A	CBLS215A	-	-	-	6.3	1000
-	-	CBLS315A	CBLS415A	CBLS515A	6.4	1000
-	-	CBLS320A	CBLS420A	CBLS520A	7.9	1000
CBLS120A	CBLS220A	-	-	-	8.0	1000
-	-	CBLS325A	CBLS425A	CBLS525A	9.5	1000
CBLS125A	CBLS225A	-	-	-	10.0	1000
-	-	CBLS330A	CBLS430A	CBLS530A	11.7	1000
CBLS130A	CBLS230A	-	-	-	12.0	1000
-	-	CBLS335A	CBLS435A	CBLS535A	12.7	1000
CBLS135A	CBLS235A	-	-	-	14.0	1000
-	-	CBLS340A	CBLS440A	CBLS540A	14.3	1000
-	-	CBLS345A	CBLS445A	CBLS545A	15.9	1000
CBLS140A	CBLS240A	-	-	-	16.0	1000
CBLS145A	CBLS245A	-	-	-	18.0	1000
-	-	CBLS350A	-	-	19.0	1000
CBLS150A	CBLS250A	-	-	-	25.0	1000

DUAL LOCKING SPACERS

Dual Locking Circuit Board Support

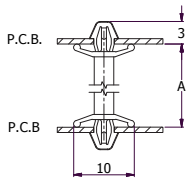
CBDLS

Natural UL94 V-2 Nylon 6/6

- Easily mounted by hand
- Arrowhead fixings held firmly in place with tension wings



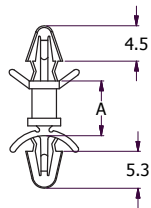
Top Hole: Snap Lock: ϕ 4.0
Panel Thickness: 1.6



Bottom Hole: Snap Lock: ϕ 4.0
Panel Thickness: 1.6



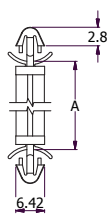
Top Hole: Snap Lock: ϕ 4.0
Panel Thickness: 1.6-1.8



Bottom Hole: Snap Lock: ϕ 4.8
Panel Thickness: 0.8-2.2



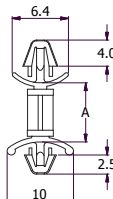
Top Hole: Snap Lock: ϕ 3.0
Panel Thickness: 1.2-2.0



Bottom Hole: Snap Lock: ϕ 3.0
Panel Thickness: 1.2-2.0



Top Hole: Snap Lock: ϕ 3.5
Panel Thickness: 0.8-2.0



Bottom Hole: Snap Lock: ϕ 3.5
Panel Thickness: 0.8-2.0

Part Number	"A" Standoff Height (mm)	Std Pack Qty
CBDLS105A	6.0	1000
CBDLS110A	8.0	1000
CBDLS115A	10.0	1000
CBDLS120A	12.0	1000
CBDLS125A	13.0	1000
CBDLS130A	14.0	1000
CBDLS135A	16.0	1000
CBDLS140A	16.8	1000
CBDLS145A	18.0	1000
CBDLS150A	20.0	1000

Part Number	"A" Standoff Height (mm)	Std Pack Qty
CBDLS305A	4.0	1000
CBDLS310A	5.0	1000
CBDLS315A	6.4	1000
CBDLS320A	7.0	1000
CBDLS325A	9.5	1000
CBDLS330A	10.0	1000
CBDLS335A	12.7	1000
CBDLS340A	15.9	1000
CBDLS345A	19.0	1000
CBDLS350A	20.0	500
CBDLS355A	22.0	500
CBDLS360A	25.4	500
CBDLS365A	28.6	500
CBDLS370A	30.0	500
CBDLS375A	35.0	500
CBDLS380A	38.0	500
CBDLS385A	45.0	500

Part Number	"A" Standoff Height (mm)	Std Pack Qty
CBDLS505A	3.2	1000
CBDLS510A	5.0	1000
CBDLS515A	6.4	1000
CBDLS520A	7.0	1000
CBDLS525A	8.0	1000
CBDLS530A	9.5	1000
CBDLS535A	11.2	1000
CBDLS540A	12.0	1000
CBDLS545A	15.0	1000
CBDLS550A	16.0	1000
CBDLS555A	17.0	1000
CBDLS560A	20.0	1000
CBDLS565A	22.0	1000
CBDLS570A	25.4	1000

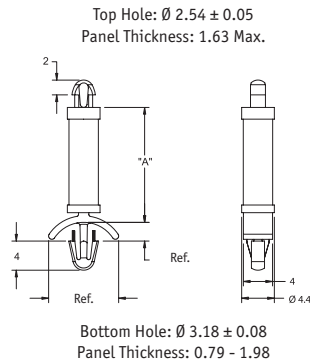
Part Number	"A" Standoff Height (mm)	Std Pack Qty
CBDLS605A	3.2	2000
CBDLS610A	4.0	2000
CBDLS615A	4.8	1000
CBDLS620A	6.4	1000
CBDLS625A	7.0	1000
CBDLS630A	8.0	1000
CBDLS635A	9.6	1000
CBDLS640A	11.2	1000
CBDLS645A	12.7	1000
CBDLS650A	14.0	1000
CBDLS655A	16.0	1000
CBDLS660A	18.0	1000
CBDLS665A	19.1	1000

Dual Locking Circuit Board Support

DLCSAT

Natural

Part Number		"A" Standoff Height	Std Pack Qty
UL94 V-2 Nylon 6/6, RMS-01	UL94 V-0 Nylon 6/6, RMS-19		
DLCSAT-2-01	DLCSAT-2-19	3.2	1000
DLCSAT-3-01	DLCSAT-3-19	4.8	1000
DLCSAT-4-01	DLCSAT-4-19	6.4	1000
DLCSAT-5-01	-	7.9	1000
DLCSAT-6-01	DLCSAT-6-19	9.5	1000
DLCSAT-7-01	DLCSAT-7-19	11.1	1000
DLCSAT-8-01	DLCSAT-8-19	12.7	1000
DLCSAT-9-01	DLCSAT-9-19	14.3	1000
DLCSAT-10-01	DLCSAT-10-19	15.9	1000



Snap Rivet Locking Circuit Board Support

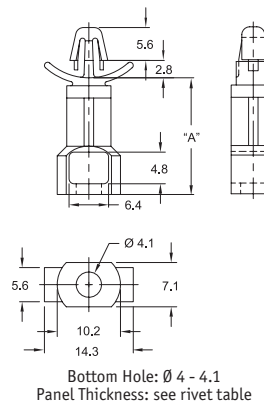
SRLAHS

Natural

Part Number		"A" Standoff Height	Std Pack Qty
UL94 V-2 Nylon 6/6, RMS-01	UL94 V-0 Nylon 6/6, RMS-19		
SRLAHS-7-01	SRLAHS-7-19	11.1	1000
SRLAHS-8-01	SRLAHS-8-19	12.7	1000
-	SRLAHS-10-19	15.9	1000
-	SRLAHS-12-19	19.1	1000
SRLAHS-14-01	SRLAHS-14-19	22.2	1000
SRLAHS-16-01	-	25.4	1000

Rivet table	
Use Rivet Number	For Panel Thickness
SR-4050B /SR-4050W	0.7-1.6
SR-4060B /SR-4060W	1.5-2.7
SR-4070B /SR-4070W	2.7-3.7
SR-4080B /SR-4080W	3.7-4.7
SR-4090B /SR-4090W	4.7-5.7
SR-4100B /SR-4100W	5.7-6.7
SR-4120B /SR-4120W	7.2-8.7

Top Hole: Snap-Lock: $\varnothing 4.75 \pm 0.08$
Panel Thickness: 0.79- 1.98



Snap Rivet Locking Circuit Board Support

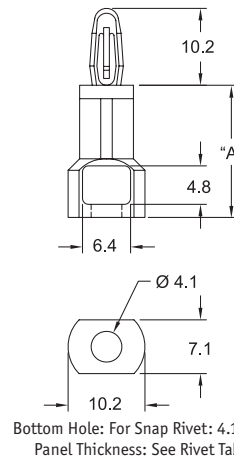
SRLCBS

Natural Nylon 6/6, RMS-01

Part Number	"A" Standoff Height	Std Pack Qty
SRLCBS-6-01	9.5	1000
SRLCBS-7-01	11.1	1000
SRLCBS-8-01	12.7	1000
SRLCBS-10-01	15.9	1000
SRLCBS-12-01	19.1	1000
SRLCBS-14-01	22.2	1000
SRLCBS-16-01	25.4	1000

Rivet table	
Use Rivets Part Number	For Panel Thickness
SR-4050B /SR-4050W	0.7-1.6
SR-4060B /SR-4060W	1.5-2.7
SR-4070B /SR-4070W	2.7-3.7
SR-4080B /SR-4080W	3.7-4.7
SR-4090B /SR-4090W	4.7-5.7
SR-4100B /SR-4100W	5.7-6.7
SR-4120B /SR-4120W	7.2-8.7

Top Hole: Snap-Lock: 4 ± 0.08
Panel Thickness: 1.57



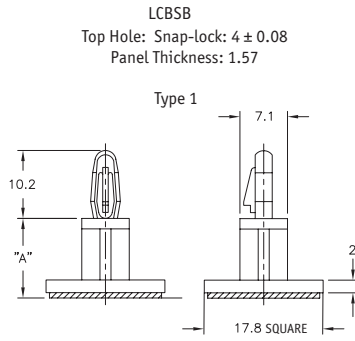
DUAL LOCKING SPACERS

Circuit Board Support on Adhesive Base

CBSB/CBSBT/LCBSB/LCBSBM

Natural Nylon 6/6 RMS-01

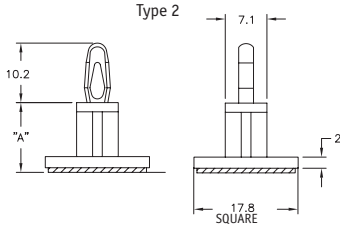
- Adhesive Backing: RMS-24, double sided adhesive tape with release tab



Part Number				"A" Standoff Height	Std Pack Qty
LCBSB (Type 1)	CBSB (Type 2)	LCBSBM (Type 3)	CBSBT (Type 4)		
LCBSB-3-01A2-RT	CBSB-3-01A2-RT	LCBSBM-3-01A2	CBSBT-3-01A2-RT	4.8	1000
LCBSB-4-01A2-RT	CBSB-4-01A2-RT	LCBSBM-4-01A2	CBSBT-4-01A2-RT	6.4	1000
-	-	LCBSBM-5-01A2	CBSBT-5-01A2-RT	7.9	1000
LCBSB-6-01A2-RT	CBSB-6-01A2-RT	LCBSBM-6-01A2	CBSBT-6-01A2-RT	9.5	1000
-	-	LCBSBM-7-01A2	CBSBT-7-01A2-RT	11.1	1000
LCBSB-8-01A2-RT	CBSB-8-01A2-RT	LCBSBM-8-01A2	CBSBT-8-01A2-RT	12.7	1000
LCBSB-9-01A2-RT	CBSB-9-01A2-RT	LCBSBM-9-01A2	CBSBT-9-01A2-RT	14.3	1000
LCBSB-10-01A2	CBSB-10-01A2-RT	LCBSBM-10-01A2	CBSBT-10-01A2	15.9	1000
LCBSB-12-01A2	CBSB-12-01A2-RT	-	-	19.1	1000
LCBSB-14-01A2	-	-	-	22.2	1000
LCBSB-16-01A2	CBSB-16-01A2-RT	-	-	25.4	1000
LCBSB-18-01A2	-	-	-	28.6	1000
LCBSB-6M-01A2	-	-	-	6	1000
LCBSB-8M-01A2	-	-	-	8	1000
LCBSB-10M-01A2	-	-	-	10	1000
LCBSB-12M-01A2	-	-	-	12	1000
LCBSB-14M-01A2	-	-	-	14	1000
LCBSB-16M-01A2	-	-	-	16	1000

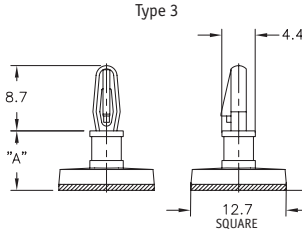
CBSB

Top Hole: Snap-fit: 4 ± 0.08
Panel Thickness: 1.57



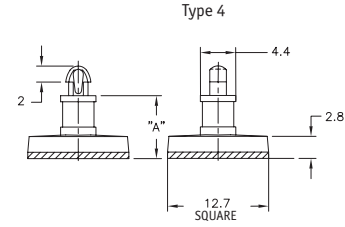
LCBSBM

Top Hole: Snap-lock: 3.18 ± 0.05
Panel Thickness: 1.57



CBSBT

Top Hole: Snap-lock: 2.54 ± 0.05
Panel Thickness: 1.63 Max.



Circuit Board Support on Adhesive Base

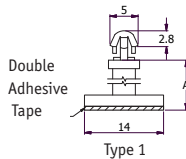
CBABS

Natural Nylon, UL94 V-2 Nylon 6/6

- Adhesive base eliminates the need for mounting hole on the chassis
- Adhesive tape comes with quick release tab for quick installation
- Snap-locking types aid fast installation by hand



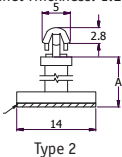
Top Hole: Snap Lock: $\phi 3.5$
Panel Thickness: 1.2-1.6



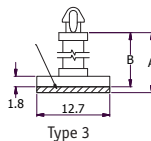
Top Hole: Snap Lock: $\phi 3.0$
Panel Thickness: 1.2-1.6

Top Hole: Snap Lock: $\phi 2.0$
Panel Thickness: 1.6

Double Adhesive Tape



Double Adhesive Tape thickness 0.8mm

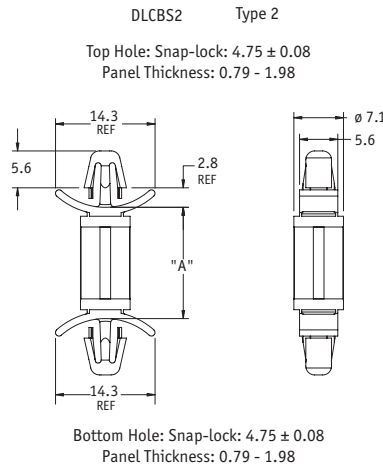
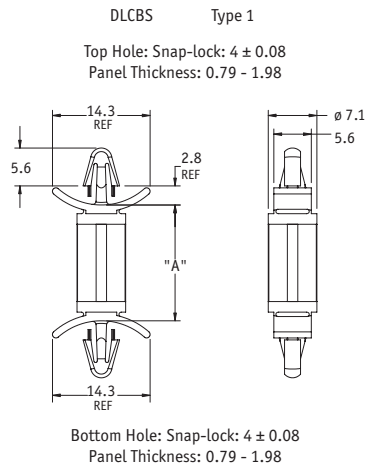
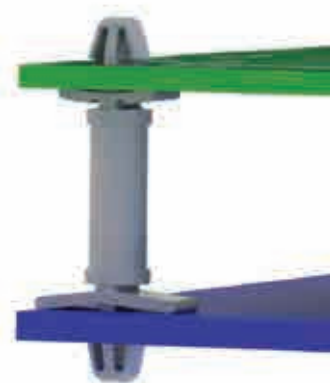


Part Number			"A" Standoff Height (mm)	"B" Base Height (mm)	Std Pack Qty
CBABS1 (Type 1)	CBABS2 (Type 2)	CBABS4 (Type 3)			
CBABS105A	CBABS205A	-	3.5	-	1000
CBABS110A	CBABS210A	CBABS405A	4.8	4.0	1000
CBABS115A	CBABS215A	CBABS410A	6.4	5.6	1000
CBABS120A	CBABS220A	CBABS415A	8.0	-	1000
-	-	CBABS420A	9.5	8.7	1000
CBABS125A	CBABS225A	-	10.0	-	1000
-	-	CBABS425A	11.1	10.3	1000
-	-	CBABS430A	12.7	11.9	1000
-	-	CBABS435A	15.9	15.1	1000
-	-	CBABS435A	19.1	18.3	1000

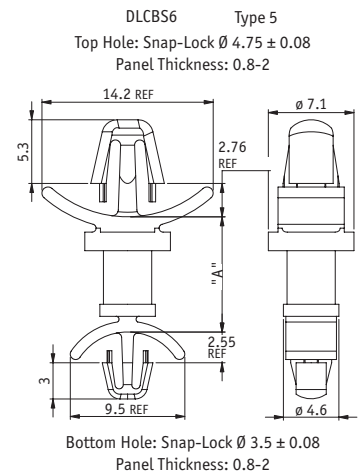
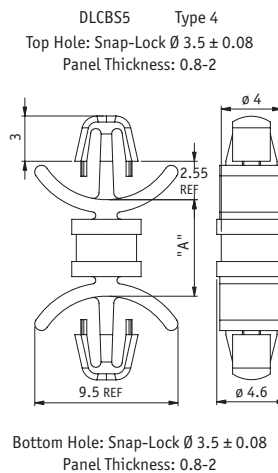
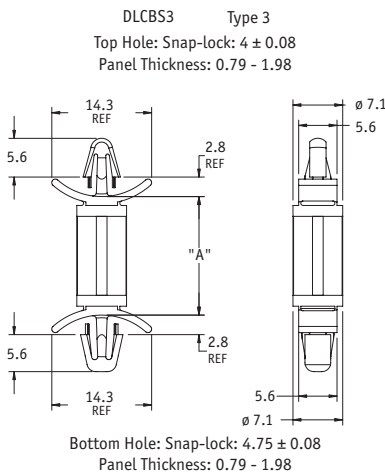
Dual Locking Circuit Board Support

DLCBS

Natural



Can't find the size you are looking for? Contact us!



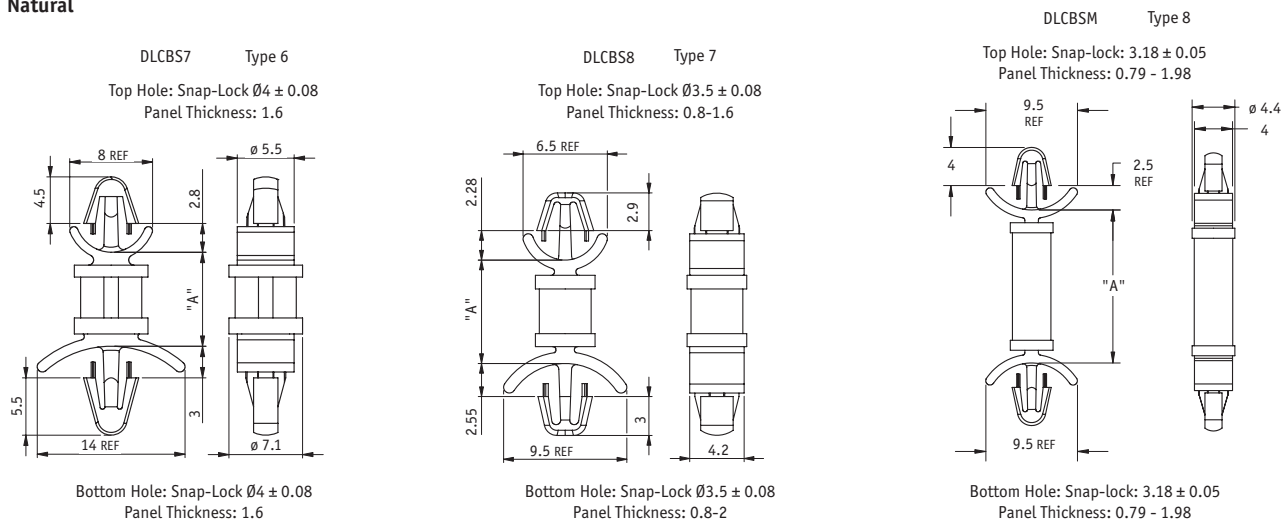
Part Number					"A" Standoff Height	Material	Std Pack Qty
DLCBS (Type 1)	DLCBS2 (Type 2)	DLCBS3 (Type 3)	DLCBS5 (Type 4)	DLCBS6 (Type 5)			
DLCBS-3-01	DLCBS2-3-01	DLCBS3-3-01	DLCBS5-3-01	DLCBS6-3-01	4.8	UL94 V-2 Nylon 6/6, RMS-01	1000
DLCBS-4-01	DLCBS2-4-01	DLCBS3-4-01	DLCBS5-4-01	DLCBS6-4-01	6.4	UL94 V-2 Nylon 6/6, RMS-01	1000
DLCBS-5-01	DLCBS2-5-01	DLCBS3-5-01	DLCBS5-5-01	DLCBS6-5-01	7.9	UL94 V-2 Nylon 6/6, RMS-01	1000
DLCBS-6-01	DLCBS2-6-01	DLCBS3-6-01	DLCBS5-6-01	DLCBS6-6-01	9.5	UL94 V-2 Nylon 6/6, RMS-01	1000
DLCBS-7-01	DLCBS2-7-01	-	DLCBS5-7-01	DLCBS6-7-01	11.1	UL94 V-2 Nylon 6/6, RMS-01	1000
DLCBS-8-01	DLCBS2-8-01	DLCBS3-8-01	DLCBS5-8-01	DLCBS6-8-01	12.7	UL94 V-2 Nylon 6/6, RMS-01	1000
DLCBS-9-01	-	-	DLCBS5-9-01	DLCBS6-9-01	14.3	UL94 V-2 Nylon 6/6, RMS-01	1000
DLCBS-10-01	DLCBS2-10-01	DLCBS3-10-01	DLCBS5-10-01	DLCBS6-10-01	15.9	UL94 V-2 Nylon 6/6, RMS-01	1000
DLCBS-12-01	DLCBS2-12-01	DLCBS3-12-01	-	-	19.1	UL94 V-2 Nylon 6/6, RMS-01	1000
DLCBS-14-01	-	DLCBS3-14-01	-	-	22.2	UL94 V-2 Nylon 6/6, RMS-01	1000
DLCBS-3-19	DLCBS2-3-19	DLCBS3-3-19	DLCBS5-3-19	DLCBS6-3-19	4.8	UL94 V-0 Nylon 6/6, RMS-19	1000
DLCBS-4-19	DLCBS2-4-19	-	DLCBS5-4-19	DLCBS6-4-19	6.4	UL94 V-0 Nylon 6/6, RMS-19	1000
DLCBS-5-19	DLCBS2-5-19	-	DLCBS5-5-19	DLCBS6-5-19	7.9	UL94 V-0 Nylon 6/6, RMS-19	1000
DLCBS-6-19	-	DLCBS3-6-19	DLCBS5-6-19	DLCBS6-6-19	9.5	UL94 V-0 Nylon 6/6, RMS-19	1000
DLCBS-7-19	DLCBS2-7-19	DLCBS3-7-19	DLCBS5-7-19	DLCBS6-7-19	11.1	UL94 V-0 Nylon 6/6, RMS-19	1000
DLCBS-8-19	DLCBS2-8-19	DLCBS3-8-19	DLCBS5-8-19	DLCBS6-8-19	12.7	UL94 V-0 Nylon 6/6, RMS-19	1000
DLCBS-9-19	DLCBS2-9-19	-	DLCBS5-9-19	DLCBS6-9-19	14.3	UL94 V-0 Nylon 6/6, RMS-19	1000
DLCBS-10-19	DLCBS2-10-19	DLCBS3-10-19	DLCBS5-10-19	DLCBS6-10-19	15.9	UL94 V-0 Nylon 6/6, RMS-19	1000
DLCBS-12-19	-	DLCBS3-12-19	-	-	19.1	UL94 V-0 Nylon 6/6, RMS-19	1000
-	DLCBS2-14-19	DLCBS3-14-19	-	-	22.2	UL94 V-0 Nylon 6/6, RMS-19	1000

DUAL LOCKING SPACERS

Dual Locking Circuit Board Support *CONTINUED*

DLCBS

Natural



Part Number			"A" Standoff Height	Material	Std. Pack Qty
DLCBS7 (Type 6)	DLCBS8 (Type 7)	DLCBSM (Type 8)			
DLCBS7-3-01	DLCBS8-3-01	DLCBSM-3-01	4.8	UL94 V-2 Nylon 6/6, RMS-01	1000
DLCBS7-4-01	DLCBS8-4-01	DLCBSM-4-01	6.4	UL94 V-2 Nylon 6/6, RMS-01	1000
DLCBS7-5-01	DLCBS8-5-01	DLCBSM-5-01	7.9	UL94 V-2 Nylon 6/6, RMS-01	1000
DLCBS7-6-01	DLCBS8-6-01	DLCBSM-6-01	9.5	UL94 V-2 Nylon 6/6, RMS-01	1000
DLCBS7-7-01	-	DLCBSM-7-01	11.1	UL94 V-2 Nylon 6/6, RMS-01	1000
DLCBS7-8-01	DLCBS8-8-01	DLCBSM-8-01	12.7	UL94 V-2 Nylon 6/6, RMS-01	1000
DLCBS7-9-01	-	DLCBSM-9-01	14.3	UL94 V-2 Nylon 6/6, RMS-01	1000
DLCBS7-10-01	DLCBS8-10-01	DLCBSM-10-01	15.9	UL94 V-2 Nylon 6/6, RMS-01	1000
DLCBS7-12-01	-	-	19.1	UL94 V-2 Nylon 6/6, RMS-01	1000
DLCBS7-3-19	-	DLCBSM-3-19	4.8	UL94 V-0 Nylon 6/6, RMS-19	1000
DLCBS7-4-19	-	DLCBSM-4-19	6.4	UL94 V-0 Nylon 6/6, RMS-19	1000
DLCBS7-5-19	DLCBS8-5-19	DLCBSM-5-19	7.9	UL94 V-0 Nylon 6/6, RMS-19	1000
DLCBS7-6-19	DLCBS8-6-19	DLCBSM-6-19	9.5	UL94 V-0 Nylon 6/6, RMS-19	1000
-	DLCBS8-7-19	DLCBSM-7-19	11.1	UL94 V-0 Nylon 6/6, RMS-19	1000
DLCBS7-8-19	DLCBS8-8-19	DLCBSM-8-19	12.7	UL94 V-0 Nylon 6/6, RMS-19	1000
DLCBS7-9-19	DLCBS8-9-19	DLCBSM-9-19	14.3	UL94 V-0 Nylon 6/6, RMS-19	1000
DLCBS7-10-19	DLCBS8-10-19	-	15.9	UL94 V-0 Nylon 6/6, RMS-19	1000
DLCBS7-12-19	-	-	19.1	UL94 V-0 Nylon 6/6, RMS-19	1000

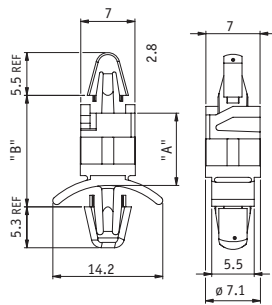
Dual Locking Circuit Board Support

DLCBS4

Natural



Top Hole: Snap-Lock $\varnothing 4.0 \pm 0.08$
Panel Thickness: 1.3-2



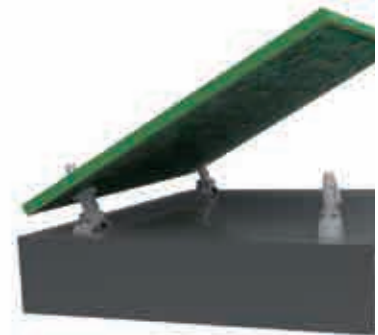
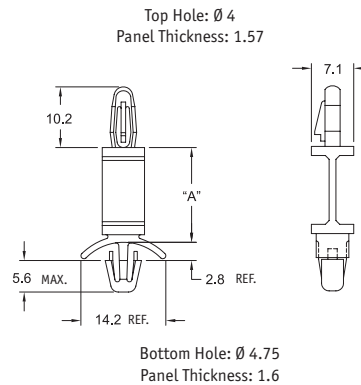
Part Number		"A" Standoff Height	"B"	Std Pack Qty
UL94 V-2 Nylon 6/6, RMS-01	UL94 V-0 Nylon 6/6, RMS-19			
DLCBS4-3.5-01	-	5.5	10.8	1000
DLCBS4-4-01	DLCBS4-4-19	6.1	11.4	1000
DLCBS4-5-01	DLCBS4-5-19	9.1	14.4	1000
DLCBS4-6-01	DLCBS4-6-19	12.4	17.7	1000
DLCBS4-8-01	-	18.8	24.1	1000
DLCBS4-10-01	DLCBS4-10-19	21.9	27.2	1000

Flexible Locking Circuit Board Support

FLCBS

UL94 V2 Nylon 6/6, RMS-01 Natural

Part Number	"A" (mm)	Std Pack Qty
FLCBS-6-01	9.5	1000
FLCBS-8-01	12.7	1000
FLCBS-10-01	15.9	1000
FLCBS-12-01	19.1	1000
FLCBS-14-01	22.2	1000
FLCBS-16-01	25.4	1000
FLCBS-18-01	28.6	1000
FLCBS-20-01	31.8	1000
FLCBS-22-01	34.9	1000



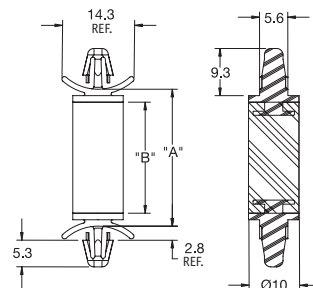
Shock Dampening Spacers

HSCBS

Fix Material: Natural UL94 V0 Nylon 6/6, RMS-169

Spacer Material: Black UL94 HB TPE 45 Shore A RMS-168

Part Number	"A" Uncompressed	"B" Ref.	Hole Ø	Panel Thickness	Target Load	Std Pack Qty
HSCBS-1	14.9	9.7	4.75	0.79 - 1.98	9.8N	1000
HSCBS-2	21	16.3	4.75	0.79 - 1.98	9.8N	1000
HSCBS-3	27.1	22	4.75	0.79 - 1.98	9.8N	1000



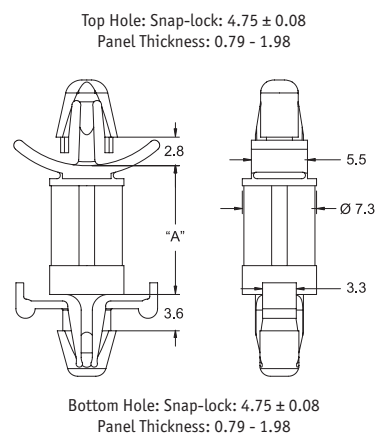
Patented

Dual Locking Circuit Board Support

DLCBSRA

Natural UL94 V-2 Nylon 6/6, RMS-01

Part Number	"A" Standoff Height	Std Pack Qty
DLCBSRA3-6-01	4.8	1000
DLCBSRA3-8-01	12.7	1000
DLCBSRA3-10-01	15.9	1000
DLCBSRA3-12-01	19.1	1000
DLCBSRA3-14-01	22.2	1000

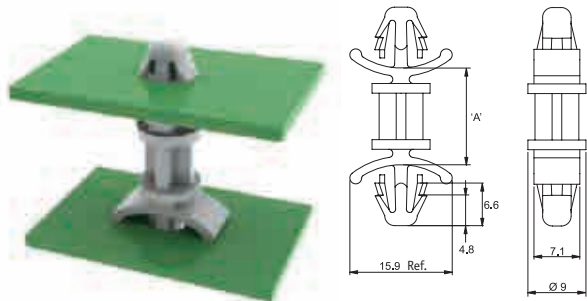


DUAL LOCKING SPACERS

Heavy Duty Circuit Board Support

DLCBSHD

Natural



Part Number		"A"	Ø Hole	Panel Thickness	Std Pack Qty
UL94 V-2 Nylon 6/6, RMS-01	UL94 V-0 Nylon 6/6, RMS-19				
DLCBSHD-10M-01	DLCBSHD-10M-19	10	6.3	0.8 - 2.2	1000
DLCBSHD-20M-01	DLCBSHD-20M-19	20	6.3	0.8 - 2.2	1000
DLCBSHD-25M-01	-	25	6.3	0.8 - 2.2	1000
DLCBSHD-35M-01	DLCBSHD-35M-19	35	6.3	0.8 - 2.2	1000

Dual Locking Support Post

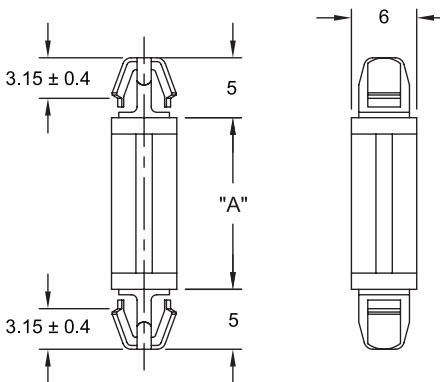
DLSP

Natural



DLSP-1

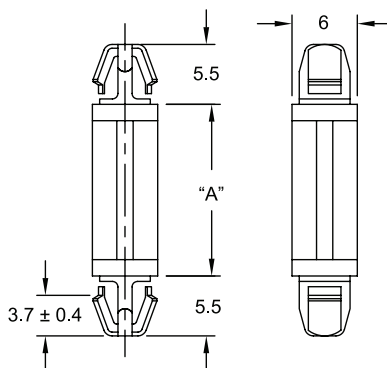
Top Hole: Snap-lock: 4 ± 0.08
Panel Thickness: 1.6



Bottom Hole: Snap-lock: 4 ± 0.08
Panel Thickness: 1.6

DLSP-2

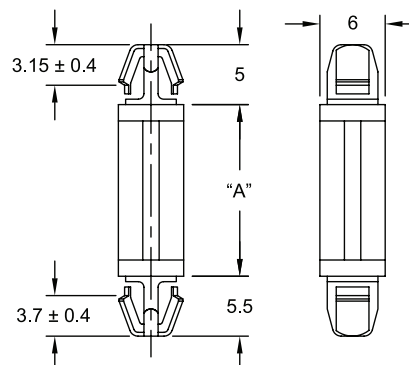
Top Hole: Snap-lock: 4.8 ± 0.08
Panel Thickness: 1.6



Bottom Hole: Snap-lock: 4.8 ± 0.08
Panel Thickness: 1.6

DLSP-3

Top Hole: Snap-lock: $\emptyset 4 \pm 0.08$
Panel Thickness: 1.6



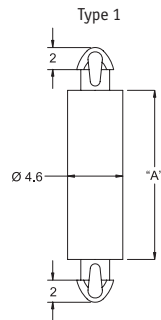
Bottom Hole: Snap-lock: $\emptyset 4.8 \pm 0.08$
Panel Thickness: 1.6

Part Number				"A" Standoff Height	Std Pack Qty
DLSP-1	DLSP-2	DLSP-3			
Nylon 6/6, RMS-01	UL94 V0 Nylon 6/6, RMS-19	Nylon 6/6, RMS-01	Nylon 6/6, RMS-01		
DLSP-1-3M-01	DLSP-1-3M-19	DLSP-2-3M-01	DLSP-3-3M-01	3	1000
DLSP-1-4M-01	DLSP-1-4M-19	DLSP-2-4M-01	DLSP-3-4M-01	4	1000
DLSP-1-6M-01	DLSP-1-6M-19	DLSP-2-6M-01	DLSP-3-6M-01	6	1000
DLSP-1-8M-01	DLSP-1-8M-19	DLSP-2-8M-01	DLSP-3-8M-01	8	1000
DLSP-1-10M-01	DLSP-1-10M-19	DLSP-2-10M-01	DLSP-3-10M-01	10	1000
DLSP-1-12M-01	DLSP-1-12M-19	DLSP-2-12M-01	-	12	1000
DLSP-1-14M-01	DLSP-1-14M-19	-	DLSP-3-14M-01	14	1000
DLSP-1-16M-01	DLSP-1-16M-19	DLSP-2-16M-01	-	16	1000
DLSP-1-18M-01	-	-	-	18	1000
DLSP-1-25M-01	DLSP-1-25M-19	DLSP-2-25M-01	DLSP-3-25M-01	25	1000
DLSP-1-30M-01	DLSP-1-30M-19	DLSP-2-30M-01	DLSP-3-30M-01	30	1000

Metric Mini Dual Locking Support Post

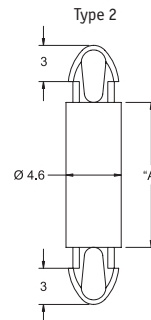
MDLSP1/MDLSP2

Top Hole: Snap-lock: 2.5 ± 0.05
Panel Thickness: 1.65 Max.



Bottom Hole: Snap-lock: 2.5 ± 0.05
Panel Thickness: 1.65 Max.

Top Hole: Snap-lock: 3.5 ± 0.05
Panel Thickness: 1.65 Max.



Bottom Hole: Snap-lock: 3.5 ± 0.05
Panel Thickness: 1.65 Max.



Part Number					"A" Standoff Height	Std Pack Qty
MDLSP1 (Type 1)		MDLSP2 (Type 2)				
Natural Nylon 6/6, RMS-01	Natural UL94 V0 Nylon 6/6, RMS-19	Natural Nylon 6/6, RMS-01	Black Nylon 6/6, RMS-01	Natural UL94 V0 Nylon 6/6, RMS-19		
MDLSP1-02M-01	MDLSP1-02M-19	MDLSP2-02M-01	-	MDLSP2-02M-19	2	1000
MDLSP1-03M-01	MDLSP1-03M-19	MDLSP2-03M-01	MDLSP2-03M-01BK	MDLSP2-03M-19	3	1000
MDLSP1-04M-01	MDLSP1-04M-19	MDLSP2-04M-01	MDLSP2-04M-01BK	MDLSP2-04M-19	4	1000
MDLSP1-05M-01	MDLSP1-05M-19	MDLSP2-05M-01	MDLSP2-05M-01BK	MDLSP2-05M-19	5	1000
MDLSP1-06M-01	MDLSP1-06M-19	MDLSP2-06M-01	MDLSP2-06M-01BK	MDLSP2-06M-19	6	1000
MDLSP1-07M-01	MDLSP1-07M-19	MDLSP2-07M-01	MDLSP2-07M-01BK	MDLSP2-07M-19	7	1000
MDLSP1-08M-01	MDLSP1-08M-19	MDLSP2-08M-01	MDLSP2-08M-01BK	MDLSP2-08M-19	8	1000
MDLSP1-09M-01	-	MDLSP2-09M-01	MDLSP2-09M-01BK	MDLSP2-09M-19	9	1000
MDLSP1-10M-01	MDLSP1-10M-19	MDLSP2-10M-01	MDLSP2-10M-01BK	MDLSP2-10M-19	10	1000
MDLSP1-12M-01	MDLSP1-12M-19	MDLSP2-12M-01	MDLSP2-12M-01BK	MDLSP2-12M-19	12	1000
MDLSP1-14M-01	MDLSP1-14M-19	MDLSP2-14M-01	MDLSP2-14M-01BK	MDLSP2-14M-19	14	1000
MDLSP1-16M-01	MDLSP1-16M-19	MDLSP2-16M-01	MDLSP2-16M-01BK	MDLSP2-16M-19	16	1000
MDLSP1-18M-01	MDLSP1-18M-19	MDLSP2-18M-01	MDLSP2-18M-01BK	MDLSP2-18M-19	18	1000
MDLSP1-20M-01	MDLSP1-20M-19	MDLSP2-20M-01	MDLSP2-20M-01BK	MDLSP2-20M-19	20	1000
MDLSP1-22M-01	MDLSP1-22M-19	MDLSP2-22M-01	MDLSP2-22M-01BK	MDLSP2-22M-19	22	1000

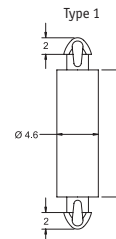
Metric Mini Dual Locking Support Post

MDLSPK

Natural

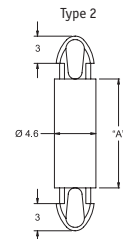


Top Hole: Snap-lock: 2.5 ± 0.05
Panel Thickness: 3.6 Max.



Bottom Hole: Snap-lock: 2.5 ± 0.05
Panel Thickness: 1.6 Max.

Top Hole: Snap-lock: 3.5 ± 0.05
Panel Thickness: 3.6 Max.



Bottom Hole: Snap-lock: 3.5 ± 0.05
Panel Thickness: 1.6 Max.

Part Number				"A" Standoff Height	Std Pack Qty
MDLSPK1 (Type 1)		MDLSPK2 (Type 2)			
Nylon 6/6, RMS-01	UL94 V0 Nylon 6/6, RMS-19	Nylon 6/6, RMS-01	UL94 V0 Nylon 6/6, RMS-19		
MDLSPK1-02M-01	MDLSPK1-02M-19	MDLSPK2-02M-01	MDLSPK2-02M-19	2	1000
MDLSPK1-03M-01	MDLSPK1-03M-19	-	MDLSPK2-03M-19	3	1000
MDLSPK1-04M-01	MDLSPK1-04M-19	MDLSPK2-04M-01	-	4	1000
MDLSPK1-06M-01	-	MDLSPK2-06M-01	MDLSPK2-06M-19	6	1000
MDLSPK1-08M-01	MDLSPK1-08M-19	MDLSPK2-08M-01	MDLSPK2-08M-19	8	1000
MDLSPK1-10M-01	MDLSPK1-10M-19	MDLSPK2-10M-01	-	10	1000
MDLSPK1-12M-01	MDLSPK1-12M-19	MDLSPK2-12M-01	MDLSPK2-12M-19	12	1000
MDLSPK1-14M-01	-	MDLSPK2-14M-01	MDLSPK2-14M-19	14	1000
MDLSPK1-16M-01	MDLSPK1-16M-19	MDLSPK2-16M-01	MDLSPK2-16M-19	16	1000
MDLSPK1-18M-01	MDLSPK1-18M-19	MDLSPK2-18M-01	MDLSPK2-18M-19	18	1000
-	MDLSPK1-20M-19	MDLSPK2-20M-01	-	20	1000
MDLSPK1-22M-01	-	MDLSPK2-22M-01	MDLSPK2-22M-19	22	1000

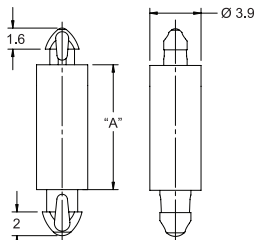
DUAL LOCKING SPACERS

Mini Dual Locking Support Post

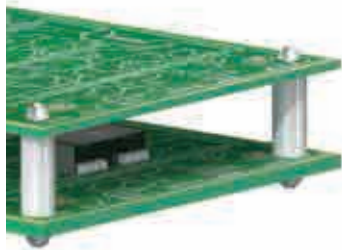
MDLSP3

Natural Nylon 6/6, RMS-01

Top Hole: Snap-lock: 2 ± 0.05
Panel Thickness: 1.07 Max.



Bottom Hole: Snap-lock: 2.5 ± 0.05
Panel Thickness: 1.65 Max.



Can't find the size you are looking for? Contact us!

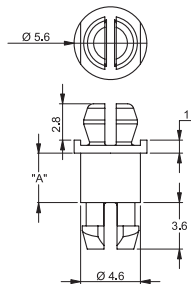
Part Number	"A" Standoff Height	Std Pack Qty
MDLSP3-1-01	1.6	1000
MDLSP3-2-01	3.2	1000
MDLSP3-3-01	4.8	1000
MDLSP3-4-01	6.4	1000
MDLSP3-5-01	7.9	1000
MDLSP3-6-01	9.5	1000

Miniature Support Post

MSPT

Natural

Top Hole: Snap-fit: $\varnothing 3.9 \pm 0.05$
Panel Thickness: 1.2



Bottom Hole: Snap-lock: $\varnothing 3.9 \pm 0.05$
Panel Thickness: 1.62



Part Number		"A" (mm)	Std Pack Qty
UL94 V-2 Nylon 6/6, RMS-01	UL94 V-0 Nylon 6/6, RMS-19		
-	MSPT-3-19	4.8	1000
-	MSPT-5-19	7.9	1000
MSPT-6-01	MSPT-6-19	9.5	1000
MSPT-7-01	-	11.1	1000
MSPT-8-01	MSPT-8-19	12.7	1000
MSPT-10-01	MSPT-10-19	15.9	1000
-	MSPT-11-19	17.5	1000
MSPT-12-01	MSPT-12-19	19.1	1000
MSPT-14-01	MSPT-14-19	22.2	1000

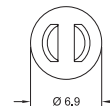
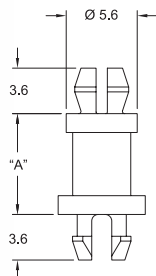
Miniature Support Post

MSPS

Natural

Bottom Hole Snap-lock: $\varnothing 4 \pm 0.05$
Panel Thickness: 1.57

Top Hole: Snap-fit: $\varnothing 4 \pm 0.05$
Panel Thickness: 1.57



Part Number		"A" (mm)	Std Pack Qty
UL94 V-2 Nylon 6/6, RMS-01	UL94 V-0 Nylon 6/6, RMS-19		
MSPS-3-01	MSPS-3-19	4.8	1000
MSPS-4-01	MSPS-4-19	6.4	1000
MSPS-5-01	MSPS-5-19	7.9	1000
MSPS-6-01	MSPS-6-19	9.5	1000
MSPS-7-01	-	11.1	1000
MSPS-8-01	MSPS-8-19	12.7	1000
MSPS-10-01	MSPS-10-19	15.9	1000
MSPS-11-01	MSPS-11-19	17.5	1000
MSPS-12-01	MSPS-12-19	19.1	1000
MSPS-14-01	MSPS-14-19	22.2	1000

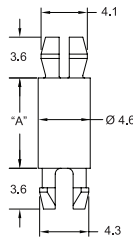
Mini Support Post

MSP/MSPM/DLMSP/DLMSPM/DLCBST

Natural

MSP
Top Hole: Snap-fit: 3.9 ± 0.05
Panel Thickness: 1.57

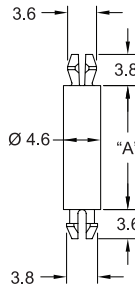
Type 1



Bottom Hole: Snap-lock: 3.9 ± 0.05
Panel Thickness: 1.57

MSPM
Top Hole: Snap-fit: 3.18 ± 0.05
Panel Thickness: 1.57

Type 2

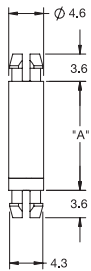


Bottom Hole: Snap-lock: 3.18 ± 0.05
Panel Thickness: 1.57



DLMSP
Top Hole: Snap-lock: 3.86 ± 0.05
Panel Thickness: 1.57

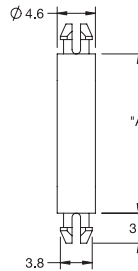
Type 3



Bottom Hole: Snap-lock: 3.86 ± 0.05
Panel Thickness: 1.57

DLMSPM
Top Hole: Snap-lock: 3.18 ± 0.05
Panel Thickness: 1.57

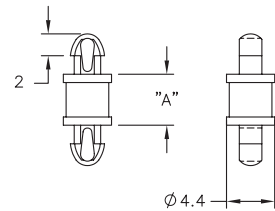
Type 4



Bottom Hole: Snap-lock: 3.18 ± 0.05
Panel Thickness: 1.57

DLCBST
Top Hole: Snap-lock: 2.54 ± 0.05
Panel Thickness: 1.63 Max.

Type 5



Bottom Hole: Snap-lock: 2.54 ± 0.05
Panel Thickness: 1.63 Max.

Part Number										"A" Standoff Height	Std Pack Qty
MSP (Type 1)		MSPM (Type 2)		DLMSP (Type 3)		DLMSPM (Type 4)		DLCBST (Type 5)			
Nylon 6/6, RMS-01	UL94 V0 Nylon 6/6, RMS-19	Nylon 6/6, RMS-01	UL94 V0 Nylon 6/6, RMS-19	Nylon 6/6, RMS-01	UL94 V0 Nylon 6/6, RMS-19	Nylon 6/6, RMS-01	UL94 V0 Nylon 6/6, RMS-19	Nylon 6/6, RMS-01	UL94 V0 Nylon 6/6, RMS-19		
-	-	-	-	-	-	-	-	DLCBST-1-01	DLCBST-1-19	1.6	1000
MSP-2-01	MSP-2-19	MSPM-2-01	-	DLMSP-2-01	DLMSP-2-19	DLMSPM-2-01	-	DLCBST-2-01	DLCBST-2-19	3.2	1000
MSP-3-01	MSP-3-19	MSPM-3-01	MSPM-3-19	DLMSP-3-01	DLMSP-3-19	DLMSPM-3-01	DLMSPM-3-19	DLCBST-3-01	DLCBST-3-19	4.8	1000
MSP-4-01	MSP-4-19	MSPM-4-01	MSPM-4-19	DLMSP-4-01	DLMSP-4-19	DLMSPM-4-01	DLMSPM-4-19	DLCBST-4-01	DLCBST-4-19	6.4	1000
MSP-5-01	MSP-5-19	MSPM-5-01	MSPM-5-19	DLMSP-5-01	DLMSP-5-19	DLMSPM-5-01	DLMSPM-5-19	DLCBST-5-01	DLCBST-5-19	7.9	1000
MSP-6-01	MSP-6-19	MSPM-6-01	-	DLMSP-6-01	DLMSP-6-19	DLMSPM-6-01	-	DLCBST-6-01	DLCBST-6-19	9.5	1000
MSP-7-01	MSP-7-19	MSPM-7-01	MSPM-7-19	DLMSP-7-01	DLMSP-7-19	DLMSPM-7-01	DLMSPM-7-19	DLCBST-7-01	DLCBST-7-19	11.1	1000
MSP-8-01	MSP-8-19	MSPM-8-01	MSPM-8-19	DLMSP-8-01	DLMSP-8-19	DLMSPM-8-01	DLMSPM-8-19	DLCBST-8-01	DLCBST-8-19	12.7	1000
MSP-9-01	-	MSPM-9-01	MSPM-9-19	DLMSP-9-01	-	DLMSPM-9-01	DLMSPM-9-19	DLCBST-9-01	DLCBST-9-19	14.3	1000
MSP-10-01	MSP-10-19	MSPM-10-01	MSPM-10-19	DLMSP-10-01	DLMSP-10-19	DLMSPM-10-01	DLMSPM-10-19	DLCBST-10-01	DLCBST-10-19	15.9	1000
MSP-11-01	MSP-11-19	-	-	-	-	-	-	-	-	17.5	1000
MSP-12-01	-	MSPM-12-01	-	DLMSP-12-01	-	DLMSPM-12-01	-	-	-	19.1	1000
MSP-13-01	MSP-13-19	MSPM-13-01	MSPM-13-19	-	-	DLMSPM-13-01	DLMSPM-13-19	-	-	20.6	1000
MSP-14-01	MSP-14-19	MSPM-14-01	MSPM-14-19	DLMSP-14-01	DLMSP-14-19	DLMSPM-14-01	DLMSPM-14-19	-	-	22.2	1000
MSP-16-01	-	MSPM-16-01	MSPM-16-19	DLMSP-16-01	-	DLMSPM-16-01	DLMSPM-16-19	-	-	25.4	1000
MSP-18-01	MSP-18-19	MSPM-18-01	-	DLMSP-18-01	DLMSP-18-19	DLMSPM-18-01	-	-	-	28.6	1000
MSP-20-01	MSP-20-19	MSPM-20-01	MSPM-20-19	DLMSP-20-01	DLMSP-20-19	DLMSPM-20-01	DLMSPM-20-19	-	-	31.8	1000
MSP-22-01	MSP-22-19	MSPM-22-01	MSPM-22-19	DLMSP-22-01	DLMSP-22-19	DLMSPM-22-01	-	-	-	34.9	1000
MSP-24-01	MSP-24-19	MSPM-24-01	MSPM-24-19	DLMSP-24-01	DLMSP-24-19	DLMSPM-24-01	DLMSPM-24-19	-	-	38.1	1000

DUAL LOCKING SPACERS

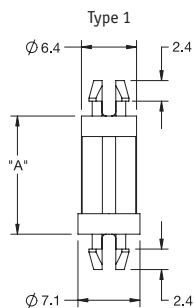
Support Post

SP/MSPE

Natural

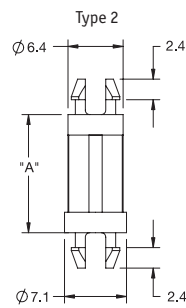


SP1
Top Hole: Snap-lock: 4 ± 0.08
Panel Thickness: 1.57



Bottom Hole: Snap-lock: 4 ± 0.08
Panel Thickness: 1.57

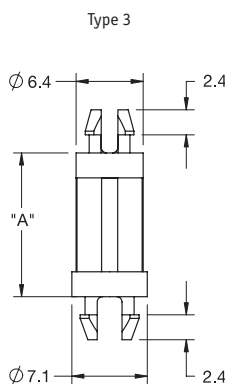
SP2
Top Hole: Snap-lock: 4.75 ± 0.08
Panel Thickness: 1.57



Bottom Hole: Snap-lock: 4.75 ± 0.08
Panel Thickness: 1.57

SP3

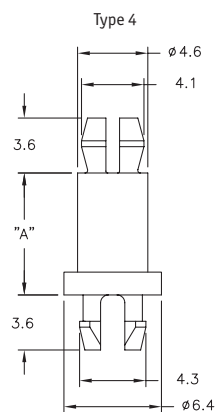
Top Hole: Snap-lock: 4 ± 0.08
Panel Thickness: 1.57



Bottom Hole: Snap-lock: 4.75 ± 0.08
Panel Thickness: 1.57

MSPE

Top Hole: Snap-fit: 3.9 ± 0.05
Panel Thickness: 1.57



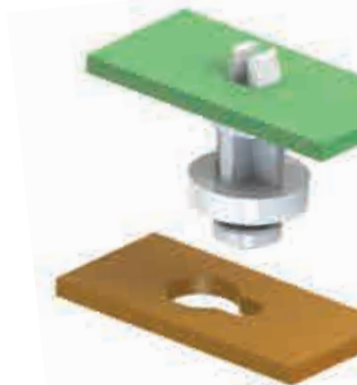
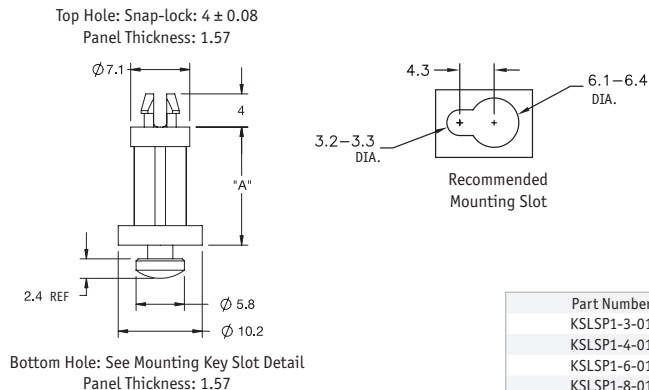
Bottom Hole: Snap-lock: 3.9 ± 0.05
Panel Thickness: 1.57

Part Number								"A" Standoff Height	Std Pack Qty
SP1 (Type 1)		SP2 (Type 2)		SP3 (Type 3)		MSPE (Type 4)			
Nylon 6/6, RMS-01	UL94 V0 Nylon 6/6, RMS-19	Nylon 6/6, RMS-01	UL94 V0 Nylon 6/6, RMS-19	Nylon 6/6, RMS-01	UL94 V0 Nylon 6/6, RMS-19	Nylon 6/6, RMS-01	UL94 V0 Nylon 6/6, RMS-19		
-	-	-	-	-	-	MSPE-2-01	MSPE-2-19	3.2	1000
SP1-3-01	SP1-3-19	SP2-3-01	SP2-3-19	SP3-3-01	SP3-3-19	MSPE-3-01	MSPE-3-19	4.8	1000
SP1-4-01	-	SP2-4-01	SP2-4-19	SP3-4-01	SP3-4-19	MSPE-4-01	-	6.4	1000
-	-	-	-	-	-	MSPE-5-01	-	7.9	1000
SP1-6-01	SP1-6-19	SP2-6-01	SP2-6-19	SP3-6-01	-	MSPE-6-01	MSPE-6-19	9.5	1000
-	-	-	-	-	-	MSPE-7-01	-	11.1	1000
SP1-8-01	SP1-8-19	-	SP2-8-19	SP3-8-01	SP3-8-19	MSPE-8-01	MSPE-8-19	12.7	1000
SP1-10-01	SP1-10-19	SP2-10-01	SP2-10-19	SP3-10-01	-	MSPE-10-01	MSPE-10-19	15.9	1000
-	-	-	-	-	-	MSPE-11-01	MSPE-11-19	17.5	1000
SP1-12-01	SP1-12-19	SP2-12-01	SP2-12-19	SP3-12-01	SP3-12-19	MSPE-12-01	MSPE-12-19	19.1	1000
SP1-14-01	-	SP2-14-01	SP2-14-19	SP3-14-01	SP3-14-19	MSPE-14-01	MSPE-14-19	22.2	1000
SP1-16-01	SP1-16-19	-	-	-	-	MSPE-16-01	MSPE-16-19	25.4	1000
-	-	-	-	-	-	MSPE-20-01	MSPE-20-19	31.8	1000
-	-	-	-	-	-	MSPE-22-01	MSPE-22-19	34.9	1000

Key Slot Locking Support Post

KSLSP

Natural, Nylon 6/6, RMS-01

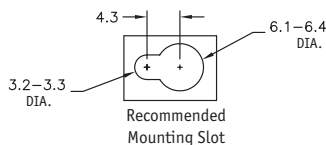


Part Number	"A" Standoff Height	Std Pack Qty
KSLSP1-3-01	4.8	1000
KSLSP1-4-01	6.4	1000
KSLSP1-6-01	9.5	1000
KSLSP1-8-01	12.7	1000

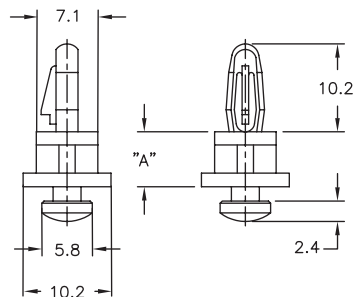
Key Slot with Locking Bayonet Nose

KSLBN

Natural UL94 V2 Nylon 6/6, RMS-01



Part Number	"A" Standoff Height	Top Panel Thickness	Top Hole \varnothing	Std Pack Qty
KSLBN-2-01	3.2	1.57	4	1000
KSLBN-4-01	6.4	1.57	4	1000
KSLBN-6-01	9.5	1.57	4	1000
KSLBN-8-01	12.7	1.57	4	1000
KSLBN-2-2-01	3.2	2.4	4	1000
KSLBN-2-6-01	9.5	2.4	4	1000
KSLBN-2-8-01	12.7	2.4	4	1000



Bottom Hole: see recommend mounting slot -
Panel Thickness: 1.57

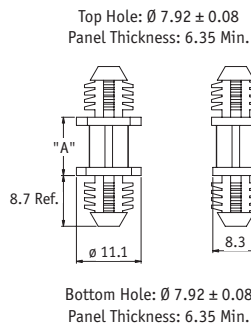


Blind Hole Circuit Board Support

BHDF

Natural

Part Number		"A" Standoff Height	Std Pack Qty
UL94 V-2 Nylon 6/6, RMS-19	UL94 V-0 Nylon 6/6, RMS-19		
BHDF-3M-01	-	3	1000
BHDF-4M-01	BHDF-4M-19	4	1000
BHDF-6M-01	BHDF-6M-19	6	1000
BHDF-8M-01	BHDF-8M-19	8	1000
BHDF-12M-01	BHDF-12M-19	12	1000
BHDF-14M-01	BHDF-14M-19	14	1000
BHDF-16M-01	BHDF-16M-19	16	1000
BHDF-18M-01	BHDF-18M-19	18	1000
BHDF-20M-01	BHDF-20M-19	20	1000

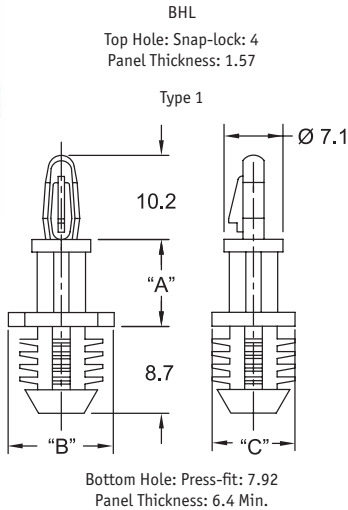


DUAL LOCKING SPACERS

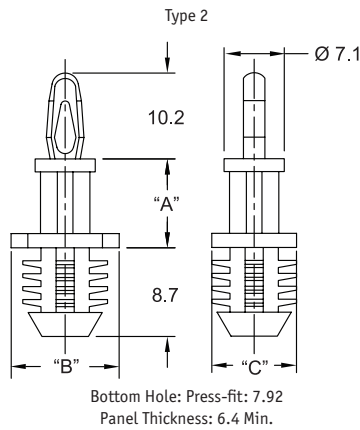
Blind Hole Mount Circuit Board Supports

BHL/BHC/BHDL

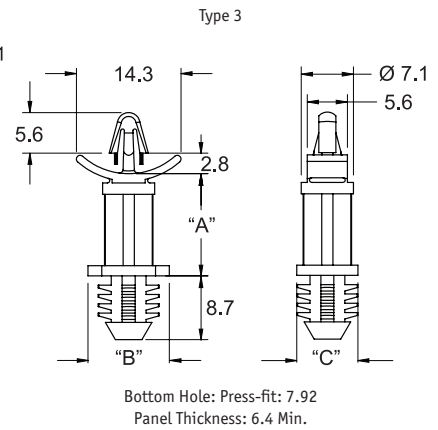
Natural UL94 V2 Nylon 6/6, RMS-01



BHC
Top Hole: Snap-fit: 4
Panel Thickness: 1.57



BHDL
Top Hole: Snap-lock: 4
Panel Thickness: 0.79 - 1.98



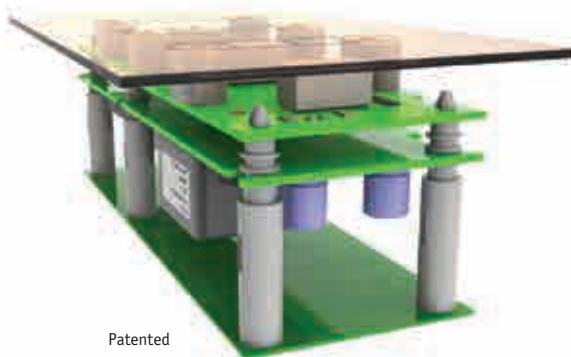
	Part Number	BHDL (Type 3)	"A" Standoff Height	"B"	"C"	Std Pack Qty
BHL (Type 1)	BHC (Type 2)					
BHL-3-01	BHC-3-01	-	4.8	11.1	7.9	1000
BHL-4-01	BHC-4-01	BHDL-4-01	6.4	11.1	7.9	1000
BHL-6-01	BHC-6-01	BHDL-6-01	9.5	11.1	7.9	1000
BHL-7-01	-	-	11.1	11.1	7.9	1000
BHL-8-01	BHC-8-01	BHDL-8-01	12.7	11.1	7.9	1000
BHL-10-01	-	BHDL-10-01	15.9	11.1	7.9	1000
BHL-12-01	BHC-12-01	-	19.1	11.1	7.9	1000
BHL-14-01	BHC-14-01	-	22.2	11.1	7.9	1000

Touch Control Spacer

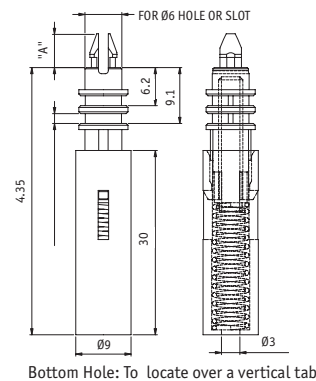
TCS

Natural

- Spring provides constant contact force between PCB mounted infrared sensors and touch panel cover
- Maximum travel: 3mm



Top Hole: Snap-lock: 4.2 ± 0.05
Panel Thickness: 1.6 ± 0.05



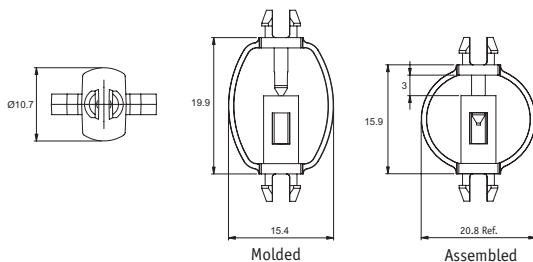
Part Number	"A" (mm)	Spacer Material	Spring Material	Std Pack Qty
TCS-1	5.4	Nylon 6/6, RMS-01	Stainless Steel, RMS-230	500
TCS-3	4.2	Nylon 6/6, RMS-01	Stainless Steel, RMS-230	500
TCS4	4.2	Nylon 6/6, RMS-19	Stainless Steel, RMS-230	500

Sprung Spacer

C BSP

Natural Acetal, RMS-61

Top Hole: Snap-lock: $\varnothing 4.8 \pm 0.08$
Panel Thickness: 1.6



Bottom Hole: Snap-lock: $\varnothing 4.8$
Panel Thickness: 1.6



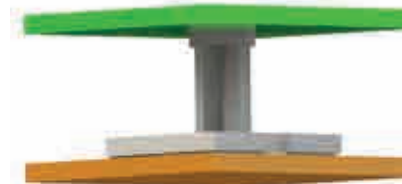
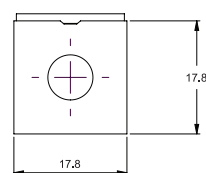
Part Number	Std Pack Qty
C BSP-1	1000

Push Spacer on Adhesive Base

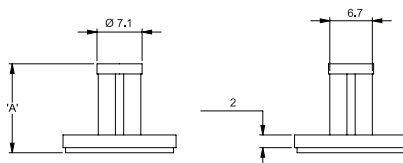
PSB

Natural UL94 V2 Nylon 6/6, RMS-01

Adhesive: 0.8 thick double-sided adhesive tape, RMS-24



Part Number	"A" (mm)	Std Pack Qty
PSB-6M-01A2-RT	6	1000
PSB-8M-01A2-RT	8	1000
PSB-10M-01A2-RT	10	1000
PSB-12M-01A2-RT	12	1000
PSB-14M-01A2-RT	14	1000
PSB-16M-01A2-RT	16	1000



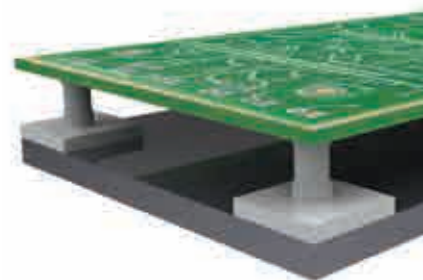
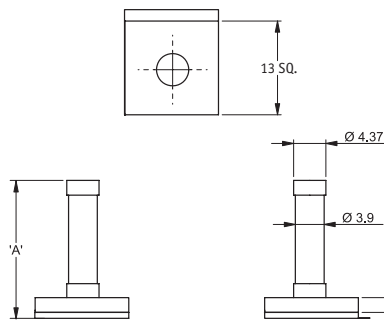
Miniature Push Spacer

PSBM

Natural UL94 V-2 Nylon 6/6, RMS-01

Adhesive: 0.8 thick double-sided adhesive tape, RMS-24

Part Number	"A" Standoff Height	Std Pack Qty
PSBM-3-01A-RT	4.8	1000
PSBM-4-01A-RT	6.4	1000
PSBM-5-01A-RT	7.9	1000
PSBM-6-01A-RT	9.5	1000
PSBM-7-01A-RT	11.1	1000
PSBM-8-01A-RT	12.7	1000
PSBM-9-01A-RT	14.3	1000
PSBM-10-01A-RT	15.9	1000
PSBM-12-01A-RT	19.1	1000
PSBM-14-01A-RT	22.2	1000



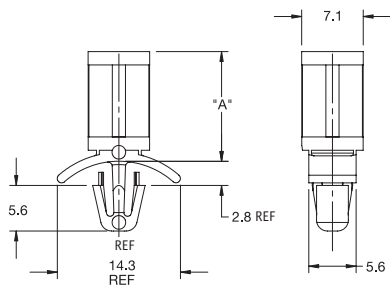
PUSH SPACERS

Push Spacer

PS

Natural

Can't find the size you are looking for? Contact us!



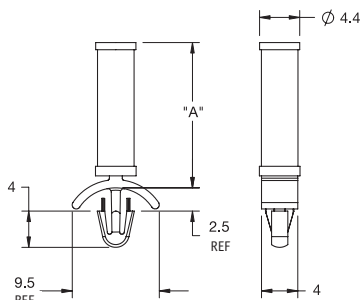
Bottom Hole: Snap-lock: 4.75 ± 0.08
Panel Thickness: 0.79 - 1.98

Part Number		"A" Standoff Height	Std Pack Qty
UL94 V2 Nylon 6/6,RMS-01	UL94 V-0 Nylon 6/6,RMS-19		
PS-3-01	PS-3-19	4.8	1000
PS-4-01	PS-4-19	6.4	1000
PS-6-01	PS-6-19	9.5	1000
PS-7-01	PS-7-19	11.1	1000
PS-8-01	PS-8-19	12.7	1000
PS-10-01	PS-10-19	15.9	1000
PS-12-01	-	19.1	1000
PS-14-01	PS-14-19	22.2	1000

Mini Push Spacer

PSM

Natural UL94 V2 Nylon 6/6, RMS-01



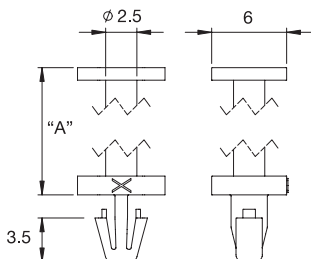
Bottom Hole: Snap-lock: 3.18
Panel Thickness: 0.79 - 1.98

Part Number	"A" Standoff Height	Std Pack Qty
PSM-2-01	3.2	1000
PSM-3-01	4.8	1000
PSM-4-01	6.4	1000
PSM-5-01	7.9	1000
PSM-6-01	9.5	1000
PSM-7-01	11.1	1000
PSM-8-01	12.7	1000
PSM-9-01	14.3	1000
PSM-10-01	15.9	1000

Metric Push Spacer

PSD

Natural



Bottom Hole: Snap-lock: $\emptyset 3 - 3.1$
Panel Thickness: 1.6

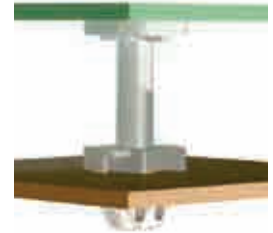
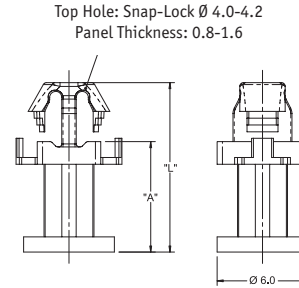
Part Number		"A" Standoff Height	Std Pack Qty
UL94 V-2 Nylon 6/6, RMS-01	UL94 V-0 Nylon 6/6, RMS-19		
PSD-4M-01	-	4	1000
PSD-6M-01	PSD-6M-19	6	1000
PSD-7M-01	PSD-7M-19	7	1000
PSD-8M-01	PSD-8M-19	8	1000
PSD-10M-01	PSD-10M-19	10	1000
PSD-12M-01	-	12	1000
PSD-14M-01	PSD-14M-19	14	1000
PSD-18M-01	PSD-18M-19	18	1000

Push Spacer

PSE

Natural

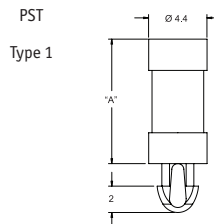
Part Number		"A" Standoff Height	"L"	Std Pack Qty
UL94 V-2 Nylon 6/6, RMS-01	UL94 V-0 Nylon 6/6, RMS-19			
PSE-4M-01	PSE-4M-19	4	7.9	1000
-	PSE-6M-19	6	9.9	1000
PSE-7M-01	PSE-7M-19	7	10.9	1000
PSE-8M-01	PSE-8M-19	8	11.9	1000



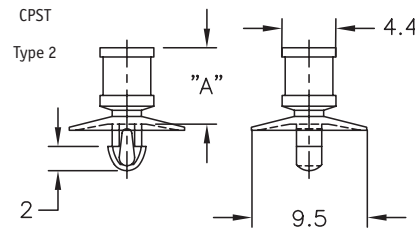
Push Spacer Teardrop

PST/CPST

Natural



Bottom Hole: Snap-lock: 2.54 ± 0.05
Panel Thickness: 1.63 Max.



Bottom Hole: Snap-lock: 2.54 ± 0.05
Panel Thickness: 1.57 Max.



Part Number		"A" Standoff Height	Std Pack Qty
PST (Type 1)			
UL94 V2 Nylon 6/6, RMS-01	UL 94 V0 Nylon 6/6, RMS-19		
PST-1-01	PST-1-19	1.6	1000
PST-2-01	PST-2-19	3.2	1000
PST-3-01	PST-3-19	4.8	1000
PST-4-01	PST-4-19	6.4	1000
PST-5-01	PST-5-19	7.9	1000
PST-6-01	PST-6-19	9.5	1000
PST-7-01	PST-7-19	11.1	1000
PST-8-01	PST-8-19	12.7	1000
PST-9-01	PST-9-19	14.3	1000
PST-10-01	PST-10-19	15.9	1000
CPST (Type 2)			
UL94 V2 Nylon 6/6, RMS-01			
-	-	1.6	1000
CPST-2-01		3.2	1000
CPST-3-01		4.8	1000
CPST-4-01		6.4	1000
CPST-5-01		7.9	1000
CPST-6-01		9.5	1000
CPST-7-01		11.1	1000
-	-	12.7	1000
CPST-9-01		14.3	1000
CPST-10-01		15.9	1000

Wide Base Push Spacers

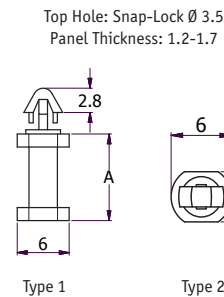
CBPSW

Natural UL94 V2 Nylon 6/6

- Wide base design on both ends provides additional support for heavily loaded PCBS

Part Number	"A" Standoff Height (mm)	Type	Std Pack Qty
CBPSW005A	3.0	1	2000
CBPSW010A	3.5	1	2000
CBPSW015A	4.0	1	2000
CBPSW020A	4.5	2	2000
CBPSW025A	5.0	3	2000
CBPSW030A	5.5	2	2000
CBPSW035A	6.0	2	2000
CBPSW040A	6.5	2	2000
CBPSW045A	7.0	2	2000
CBPSW050A	13.5	2	2000
CBPSW055A	26.0	2	2000

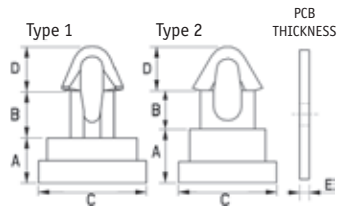
- Eliminates the need for screws, nuts and lock washers from mounting process
- Type 1 is as Type 3 but with a solid stand-off body



Snap Fit Support Spacer

SR6431

Natural Nylon 6.6



- Prevents bending of large panels or circuit boards
- Simple snap in mounting very quick to install
- Large diameter supporting foot

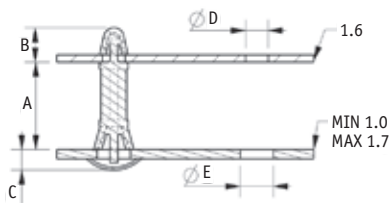
- Type 1 has a PCB hole of 2.0
- Type 2 has a PCB hole of 2.5
- Type 2 has a max PCB thickness of 1.6

Part number	Dimensions (mm)					Type	Std Pack Qty
	A	B	C	D	E		
10062000002	1.5	2	4.8	2.0	1.6	1	1000
10062010002	2	2.3	4.2	2.0	1.6	1	1000
10062020002	2.5	2	4.8	2.0	1.6	1	1000
10062030002	2	2	4.8	2.0	2.0	1	1000
10062040002	2	2	4.2	2.0	1.6	1	1000
10062050002	1.8	2	4.2	2.0	1.2	1	1000
10062060002	3	2	4.2	2.0	1.6	1	1000
10062070002	2.6	2	4.1	2.0	1.6	1	1000
10062080002	3.5	2	4.8	2.0	1.6	1	1000
10062090002	4	2	3.0	2.0	1.6	1	1000
10062100002	4	2.1	4.8	2.0	1.6	1	1000
10062110002	5	2	4.8	2.0	1.6	1	1000
10062120002	5.6	2	4.8	2.0	1.6	1	1000
10062130002	6	2.1	4.8	2.0	1.6	1	1000
10062140002	6.5	2.2	4.8	2.0	1.6	1	1000
10062150002	6.5	2	4.8	2.0	1.6	1	1000
10061260002	8	3	4.8	2.0	1.6	1	1000
10063000002	1.5	2.1	4.5	2.5	-	2	1000
10063010002	2.5	2.1	4.5	2.5	-	2	1000
10063020002	2.7	2.2	6.0	2.5	-	2	1000
10063030002	2.8	2	5.0	2.5	-	2	1000
10063040002	2.8	2	5.0	2.5	-	2	1000
10063050002	2.95	2	5.0	2.5	-	2	1000
10063060002	3.5	2	4.5	2.5	-	2	1000
10063070002	4	1.9	4.5	2.5	-	2	1000
10063080002	4.5	2.1	4.5	2.5	-	2	1000
10063090002	4	2	5.0	2.5	-	2	1000
10063100002	5	2	3.6	2.5	-	2	1000
10063110002	6.0	1.5	4.5	2.5	-	2	1000

Domed PCB Spacer

SR6433

Natural Nylon 6.6



- PCB easily removed
- Reverse mounting
- Cupped base
- Snap-lock mounting
- PCB hole: 3.0 mm
- Chassis hole: 5.5 mm

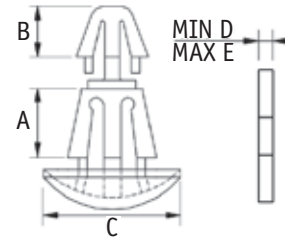
Part number	Dimensions (mm)					Std Pack Qty
	"A" Standoff height	B	C	D	E	
100305200002	5	5.8	3	4	5.5	1000
100306000002	6	5.8	3	4	5.5	1000
100308000002	8	5.8	3	4	5.5	1000
100312000002	12	5.8	3	4	5.5	1000
100316000002	16	5.8	3	4	5.5	1000
100320000002	20	5.8	3	4	5.5	1000
100324000002	24	5.8	3	4	5.5	1000
100328000002	28	5.8	3	4	5.5	1000

Domed PCB Spacer

SR6432

Natural Nylon 6.6

- PCB easily removed
- Reverse mounting
- Cupped base
- Snap-lock mounting
- PCB hole: 3.0 mm
- Chassis hole: 4.0 mm



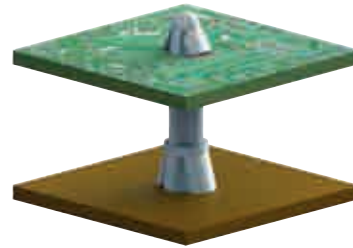
Part number	Dimensions (mm)					Std Pack Qty
	"A" Standoff height	B	C	D	E	
100330600002	2.5	2.7	5.8	0.8	1.0	1000
100330700002	2.5	2.65	5.8	0.8	1.0	1000
100330800002	3.2	3.1	8.2	0.8	1.6	1000
100330900002	4	3.1	8.2	0.8	1.6	1000
100331000002	5	3.1	5.8	0.8	1.2	1000
100331100002	6	3.1	8.2	0.8	1.6	1000
100331200002	10	3.1	8.2	0.8	1.6	1000
100331300002	12	3.1	8.2	0.8	1.6	1000

Domed PCB Spacer

CBRLDS

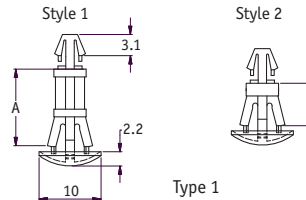
Natural UL94 V2 Nylon 6/6

- PCB easily Removed
- Reverse mounting
- Cupped base
- Snap-lock mounting



Top Hole: Snap Lock: ϕ 4.0
Panel Thickness: 1.2-1.7

Top Hole: Snap Lock: ϕ 3.5
Panel Thickness: 0.8-1.6

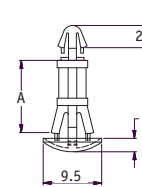


Bottom Hole: Snap Lock: ϕ 5.5
Panel Thickness: 0.8-1.6

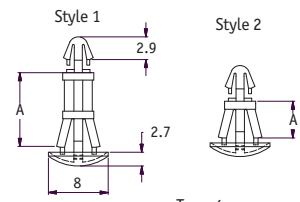
Bottom Hole: Snap Lock: ϕ 5.5
Panel Thickness: 0.8-1.6

Top Hole: Snap Lock: ϕ 3.0
Panel Thickness: 1.2-1.7

Top Hole: Snap Lock: ϕ 3.0
Panel Thickness: 1.6



Bottom Hole: Snap Lock: ϕ 5.5
Panel Thickness: 0.1-1.2



Bottom Hole: Snap Lock: ϕ 4.0
Panel Thickness: 0.8-1.6

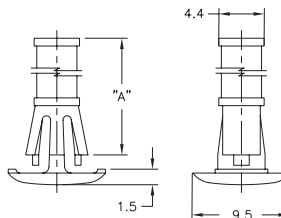
Part Number Type 1	Part Number Type 2	Part Number Type 3	Part Number Type 4	Style (Where Applicable)	"A" Standoff Height (mm)	Std Pack Qty
-	-	-	CBRLDS405A	2	2.5	2000
-	-	-	CBRLDS410A	2	3.2	2000
CBRLDS005A	CBRLDS205A	CBRLDS305A	-	2	3.5	1000
-	-	-	CBRLDS415A	2	4.0	2000
-	CBRLDS210A	CBRLDS310A	-	-	4.8	1000
CBRLDS010A	-	-	-	2	5.0	1000
-	-	-	CBRLDS420A	1	5.0	2000
-	-	-	CBRLDS425A	1	6.0	1000
CBRLDS015A	CBRLDS215A	CBRLDS315A	-	2	6.4	1000
CBRLDS020A	CBRLDS220A	CBRLDS320A	CBRLDS430A	1	7.0	1000
CBRLDS025A	CBRLDS225A	CBRLDS325A	CBRLDS435A	1	8.0	1000
CBRLDS030A	-	-	-	1	8.5	1000
-	-	-	CBRLDS440A	1	9.0	1000
CBRLDS035A	CBRLDS230A	CBRLDS330A	CBRLDS445A	1	10.0	1000
-	CBRLDS235A	CBRLDS335A	-	-	11.0	1000
CBRLDS040A	-	-	CBRLDS450A	1	12.0	1000
CBRLDS045A	CBRLDS240A	CBRLDS340A	-	1	12.7	1000
CBRLDS050A	-	-	-	1	13.5	1000
CBRLDS055A	-	-	CBRLDS455A	1	14.0	1000
CBRLDS060A	-	-	-	1	15.2	1000
CBRLDS065A	CBRLDS245A	CBRLDS345A	-	1	15.9	1000
-	-	-	CBRLDS460A	1	16.0	1000
CBRLDS070A	-	-	-	1	18.0	1000
CBRLDS075A	-	-	-	1	19.0	1000
CBRLDS080A	-	-	-	1	20.0	1000
CBRLDS085A	-	-	-	1	21.7	500
CBRLDS090A	-	-	-	1	24.0	500
CBRLDS095A	-	-	-	1	25.4	500
CBRLDS100A	-	-	-	1	30.0	500

REVERSE LOCKING SPACERS

Reverse Locking Circuit Board Support Round Hole Spacer

RLCBSRS

Natural Nylon 6/6, RMS-01



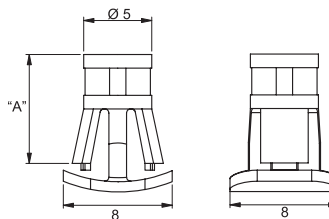
Bottom Hole: Snap-lock: 4.75 ± 0.08
Panel Thickness: 1.5 - 1.6

Part Number	"A" Standoff Height	Std Pack Qty
RLCBSRS-4-01	6.4	1000
RLCBSRS-5-01	7.9	1000
RLCBSRS-6-01	9.5	1000
RLCBSRS-7-01	11.1	1000
RLCBSRS-8-01	12.7	1000
RLCBSRS-10-01	15.9	1000

Metric Reverse Lock Circuit Board Support Push Spacer

RLCBSB

Natural UL94 V2 Nylon 6/6, RMS-01



Bottom Hole: Snap-lock: 5.5
Panel Thickness: 0.5 - 1

Part Number	"A" Standoff Height	Std Pack Qty
RLCBSB-5-01	5	1000
RLCBSB-6-01	6	1000
RLCBSB-8-01	8	1000
RLCBSB-10-01	10	1000
RLCBSB-12-01	12	1000
RLCBSB-14-01	14	1000

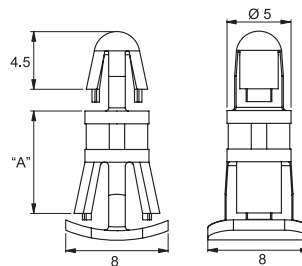
Metric Reverse Lock Circuit Board Support

RLCBSA

Natural UL94 V2 Nylon 6/6, RMS-01



Top Hole: Snap-lock: 4
Panel Thickness: 1.6



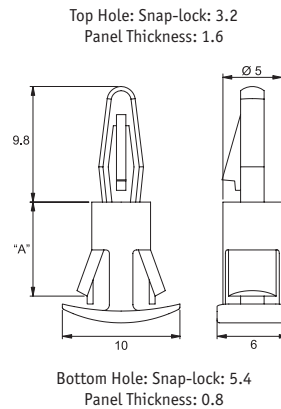
Bottom Hole: Snap-lock: 5.5
Panel Thickness: 0.5 - 1

Part Number	"A" Standoff Height	Std Pack Qty
RLCBSA-5-01	5	1000
RLCBSA-6-01	6	1000
RLCBSA-8-01	8	1000
RLCBSA-10-01	10	1000
RLCBSA-12-01	12	1000
RLCBSA-14-01	14	1000

Metric Reverse Lock Circuit Board Support

RLCBSC

Natural UL94 V2 Nylon 6/6, RMS-01

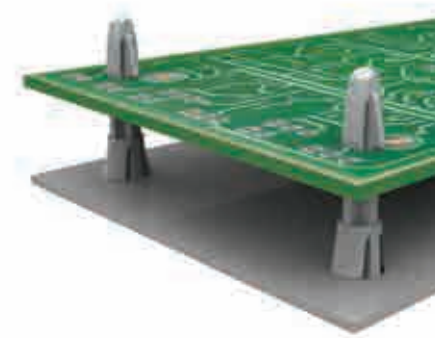
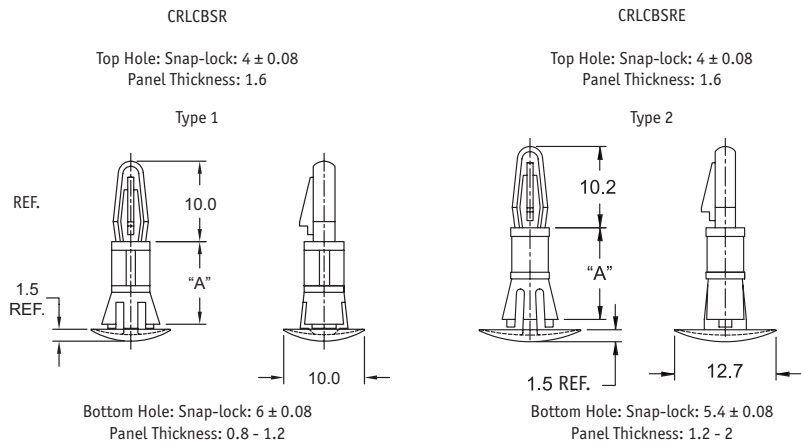


Part Number	"A" Standoff Height	Std Pack Qty
RLCBSC-5-01	5	1000
RLCBSC-6-01	6	1000
RLCBSC-8-01	8	1000
RLCBSC-10-01	10	1000
RLCBSC-12-01	12	1000
RLCBSC-14-01	14	1000

Cupped Reverse Locking Circuit Board Support

CRLCBSR/CRLCBSRE

Can't find the size you are looking for? Contact us!



Part Number						"A" Standoff Height	Std Pack Qty
CRLCBSR (Type 1)		CRLCBSRE (Type 2)					
Natural Nylon 6/6, RMS-01	Black Nylon 6/6, RMS-01	Natural UL94 V0 Nylon 6/6, RMS-19	Natural Nylon 6/6, RMS-01	Black Nylon 6/6, RMS-01	Natural UL94 V0 Nylon 6/6, RMS-19		
CRLCBSR-3-01	CRLCBSR-3-01BK	CRLCBSR-3-19	-	-	-	4.8	1000
CRLCBSR-4-01	CRLCBSR-4-01BK	CRLCBSR-4-19	CRLCBSRE-4-01	CRLCBSRE-4-01BK	CRLCBSRE-4-19	6.4	1000
CRLCBSR-5-01	CRLCBSR-5-01BK	CRLCBSR-5-19	-	-	-	7.9	1000
CRLCBSR-6-01	CRLCBSR-6-01BK	CRLCBSR-6-19	CRLCBSRE-6-01	CRLCBSRE-6-01BK	CRLCBSRE-6-19	9.5	1000
CRLCBSR-8-01	CRLCBSR-8-01BK	CRLCBSR-8-19	CRLCBSRE-8-01	CRLCBSRE-8-01BK	CRLCBSRE-8-19	12.7	1000
-	-	-	CRLCBSRE-10-01	CRLCBSRE-10-01B	CRLCBSRE-10-19	15.9	1000
CRLCBSR-12-01	CRLCBSR-12-01BK	-	-	-	-	19.1	1000

REVERSE LOCKING SPACERS

Reverse Mounted Circuit Board Support Round Hole

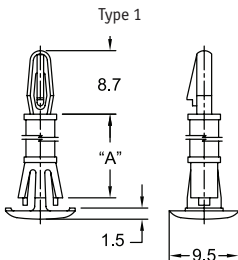
RLCBSR/RLCBSRE/RLCBSPR/RCBSR

Can't find the size you are looking for? Contact us!



RLCBSR

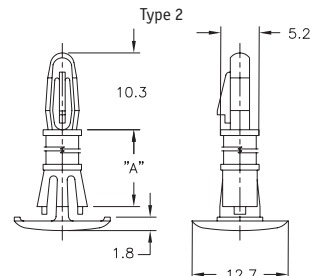
Top Hole: Snap-lock: 3.18 ± 0.05
Panel Thickness: 1.6



Bottom Hole: Snap-lock: 4.75 ± 0.08
Panel Thickness: 1.5 - 1.6

RLCBSRE

Top Hole: Snap-lock: 4 ± 0.08
Panel Thickness: 1.6

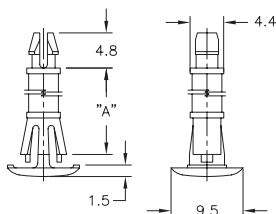


Bottom Hole: Snap-lock: 5.41 ± 0.08
Panel Thickness: 1.5 - 1.65

RLCBSPR

Top Hole: Snap-lock: 3.18 ± 0.05
Panel Thickness: 1.6

Type 3

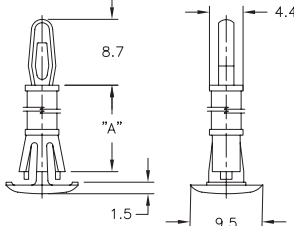


Bottom Hole: Snap-lock: 4.75 ± 0.08
Panel Thickness: 1.5 - 1.6

RCBSR

Top Hole: Snap-fit: 3.18 ± 0.05
Panel Thickness: 1.6

Type 4

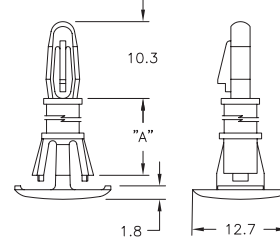


Bottom Hole: Snap-lock: 4.75 ± 0.08
Panel Thickness: 1.5 - 1.6

RLCBSR1

Top Hole: Snap-lock: 4 ± 0.08
Panel Thickness: 1.6

Type 5



Bottom Hole: Snap-lock: 6.35 ± 0.08
Panel Thickness: 1.5 - 1.65

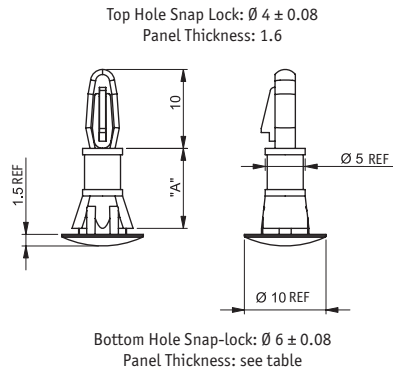
Part Number					"A" Stand-off Height	Material	Std Pack Qty
RLCBSR (Type 1)	RLCBSRE (Type 2)	RLCBSPR (Type 3)	RCBSR (Type 4)	RLCBSR1 (Type 5)			
RLCBSR-4-01	RLCBSRE-4-01	RLCBSPR-4-01	RCBSR-4-01	RLCBSR1-4-01	6.4	Natural UL94 V2 Nylon, RMS-01	1000
RLCBSR-5-01	-	RLCBSPR-5-01	-	-	7.9	Natural UL94 V2 Nylon, RMS-01	1000
RLCBSR-6-01	RLCBSRE-6-01	RLCBSPR-6-01	RCBSR-6-01	RLCBSR1-6-01	9.5	Natural UL94 V2 Nylon, RMS-01	1000
RLCBSR-7-01	-	RLCBSPR-7-01	RCBSR-7-01	-	11.1	Natural UL94 V2 Nylon, RMS-01	1000
RLCBSR-8-01	RLCBSRE-8-01	RLCBSPR-8-01	RCBSR-8-01	RLCBSR1-8-01	12.7	Natural UL94 V2 Nylon, RMS-01	1000
RLCBSR-9-01	-	RLCBSPR-9-01	RCBSR-9-01	-	14.3	Natural UL94 V2 Nylon, RMS-01	1000
RLCBSR-10-01	RLCBSRE-10-01	RLCBSPR-10-01	RCBSR-10-01	-	15.9	Natural UL94 V2 Nylon, RMS-01	1000
RLCBSR-4-19	-	RLCBSPR-4-19	-	-	6.4	Natural UL94 V0 Nylon, RMS-19	1000
RLCBSR-5-19	-	RLCBSPR-5-19	-	-	7.9	Natural UL94 V0 Nylon, RMS-19	1000
RLCBSR-6-19	-	RLCBSPR-6-19	-	-	9.5	Natural UL94 V0 Nylon, RMS-19	1000
RLCBSR-7-19	-	RLCBSPR-7-19	-	-	11.1	Natural UL94 V0 Nylon, RMS-19	1000
RLCBSR-8-19	-	RLCBSPR-8-19	-	-	12.7	Natural UL94 V0 Nylon, RMS-19	1000
RLCBSR-9-19	-	RLCBSPR-9-19	-	-	14.3	Natural UL94 V0 Nylon, RMS-19	1000
RLCBSR-10-19	-	RLCBSPR-10-19	-	-	15.9	Natural UL94 V0 Nylon, RMS-19	1000
RLCBSR-4-01BK	RLCBSRE-4-01BK	RLCBSPR-4-01BK	RCBSR-4-01BK	RLCBSR1-4-01BK	6.4	Black UL94 V2 Nylon, RMS-01	1000
RLCBSR-5-01BK	-	RLCBSPR-5-01BK	-	-	7.9	Black UL94 V2 Nylon, RMS-01	1000
RLCBSR-6-01BK	RLCBSRE-6-01BK	-	RCBSR-6-01BK	RLCBSR1-6-01BK	9.5	Black UL94 V2 Nylon, RMS-01	1000
RLCBSR-7-01BK	-	RLCBSPR-7-01BK	RCBSR-7-01BK	-	11.1	Black UL94 V2 Nylon, RMS-01	1000
RLCBSR-8-01BK	RLCBSRE-8-01BK	-	RCBSR-8-01BK	RLCBSR1-8-01BK	12.7	Black UL94 V2 Nylon, RMS-01	1000
RLCBSR-9-01BK	-	-	RCBSR-9-01BK	-	14.3	Black UL94 V2 Nylon, RMS-01	1000
-	RLCBSRE-10-01BK	-	RCBSR-10-01BK	-	15.9	Black UL94 V2 Nylon, RMS-01	1000

Metric Reverse Locking Circuit Board Support

CRLCBSM

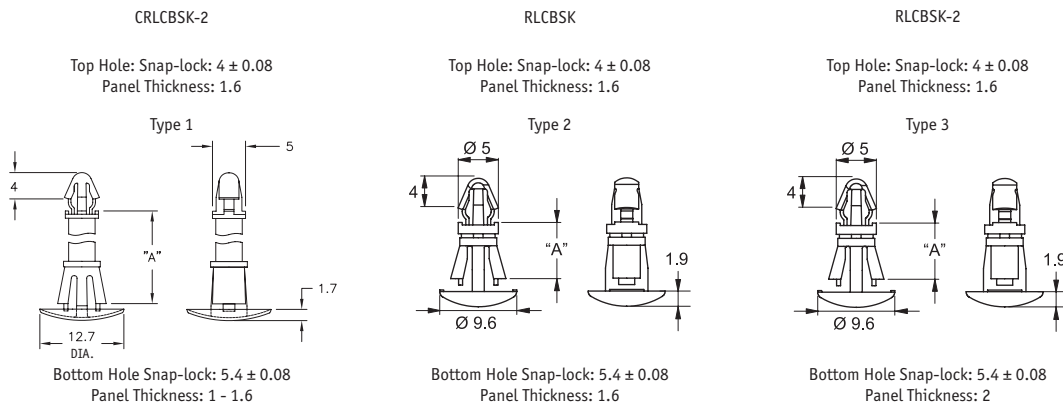
Natural UL94 V0 Nylon 6/6, RMS-19

Part Number	"A" Standoff Height	Panel Thickness	Std Pack Qty
CRLCBSM-5-19	5	0.8 - 1.2	1000
CRLCBSM-6-19	6	0.8 - 1.2	1000
CRLCBSM-7-19	7	0.8 - 1.2	1000
CRLCBSM-10-19	10	0.8 - 1.2	1000
CRLCBSM-12-19	12	0.8 - 1.2	1000
CRLCBSM-14-19	14	0.8 - 1.2	1000
CRLCBSM-16-19	16	0.8 - 1.2	1000
CRLCBSM1-5-19	5	1.6 - 2.0	1000
CRLCBSM1-6-19	6	1.6 - 2.0	1000
CRLCBSM1-7-19	7	1.6 - 2.0	1000
CRLCBSM1-8-19	8	1.6 - 2.0	1000
CRLCBSM1-9-19	9	1.6 - 2.0	1000
CRLCBSM1-10-19	10	1.6 - 2.0	1000
CRLCBSM1-12-19	12	1.6 - 2.0	1000
CRLCBSM1-16-19	16	1.6 - 2.0	1000



Cupped Reverse Locking Circuit Board Support

RLCBSK/CRLCBSK



CRLCBSK-2 (Type 1)		RLCBSK (Type 2)		RLCBSK-2 (Type 3)		"A" Standoff Height	Material	Std Pack Qty
Natural	Black	Natural	Black	Natural	Black			
-	-	RLCBSK-6-01	RLCBSK-6-01BK	RLCBSK-2-6-01	RLCBSK-2-6-01BK	6	Nylon 6/6, RMS-01	1000
-	-	RLCBSK-7-01	RLCBSK-7-01BK	RLCBSK-2-7-01	RLCBSK-2-7-01BK	7	Nylon 6/6, RMS-01	1000
CRLCBSK-2-8-01	CRLCBSK2-8-01B	RLCBSK-8-01	RLCBSK-8-01BK	RLCBSK-2-8-01	RLCBSK-2-8-01BK	8	Nylon 6/6, RMS-01	1000
CRLCBSK-2-10-01	CRLCBSK2-10-01B	RLCBSK-10-01	RLCBSK-10-01BK	RLCBSK-2-10-01	RLCBSK2-10-01BK	10	Nylon 6/6, RMS-01	1000
CRLCBSK-2-12-01	CRLCBSK2-12-01B	RLCBSK-12-01	RLCBSK-12-01BK	RLCBSK-2-12-01	RLCBSK2-12-01BK	12	Nylon 6/6, RMS-01	1000
-	CRLCBSK2-14-01B	RLCBSK-14-01	RLCBSK-14-01BK	-	RLCBSK2-14-01BK	14	Nylon 6/6, RMS-01	1000
CRLCBSK-2-16-01	CRLCBSK2-16-01B	RLCBSK-16-01	RLCBSK-16-01BK	RLCBSK-2-16-01	RLCBSK2-16-01BK	16	Nylon 6/6, RMS-01	1000
-	-	RLCBSK-6-19	-	RLCBSK-2-6-19	-	6	UL94 V0 Nylon 6/6, RMS-19	1000
-	-	RLCBSK-7-19	-	-	-	7	UL94 V0 Nylon 6/6, RMS-19	1000
CRLCBSK-2-8-19	-	RLCBSK-8-19	-	RLCBSK-2-8-19	-	8	UL94 V0 Nylon 6/6, RMS-19	1000
CRLCBSK-2-10-19	-	RLCBSK-10-19	-	RLCBSK-2-10-19	-	10	UL94 V0 Nylon 6/6, RMS-19	1000
-	-	RLCBSK-12-19	-	-	-	12	UL94 V0 Nylon 6/6, RMS-19	1000
CRLCBSK-2-14-19	-	RLCBSK-14-19	-	RLCBSK-2-14-19	-	14	UL94 V0 Nylon 6/6, RMS-19	1000
CRLCBSK-2-16-19	-	RLCBSK-16-19	-	RLCBSK-2-16-19	-	16	UL94 V0 Nylon 6/6, RMS-19	1000

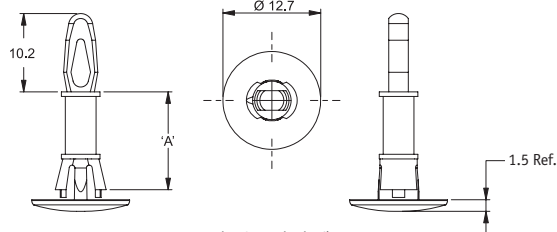
Reverse Locking Circuit Board Support

CRCBSRE

Natural



Top Hole: Snap-fit: $\varnothing 4 \pm 0.08$
Panel Thickness: 1.6



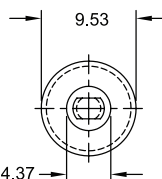
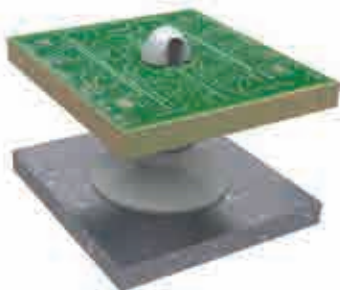
Bottom Hole: Snap-lock: $\varnothing 5.4 \pm 0.08$
Panel Thickness: 1.2 - 2

Part Number		"A" Standoff Height	Std Pack Qty
UL94 V-2 Nylon 6/6, RMS-01	UL94 V-0 Nylon 6/6, RMS-19		
CRCBSRE-3-01	CRCBSRE-3-19	4.8	1000
CRCBSRE-4-01	CRCBSRE-4-19	6.4	1000
CRCBSRE-6-01	CRCBSRE-6-19	9.5	1000
CRCBSRE-8-01	CRCBSRE-8-19	12.7	1000
CRCBSRE-10-01	CRCBSRE-10-19	15.9	1000

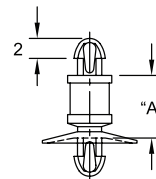
Cupped Dual Locking Circuit Board Support

CHDLCBST

Natural UL94 V-2 Nylon 6/6, RMS-01



Top Hole: $\varnothing 2.54 \pm 0.05$
Panel Thickness: 1.63



Bottom Hole: $\varnothing 2.54 \pm 0.05$
Panel Thickness: 1.57

Part Number	"A" Standoff Height	Std Pack Qty
CHDLCBST-2-01	3.18	1000
CHDLCBST-3-01	4.76	1000
CHDLCBST-4-01	6.35	1000
CHDLCBST-7-01	11.11	1000
CHDLCBST-8-01	12.7	1000

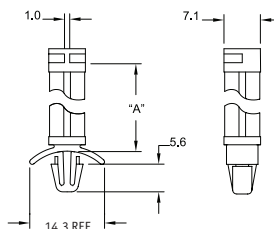
Locking Corner Edge Circuit Board Support

CHCBS

Natural UL94 V2 Nylon 6/6, RMS-01

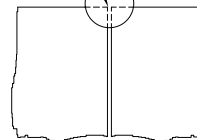


Panel Thickness: 1.6



Bottom Hole: Snap-lock: $\varnothing 4.8$
Panel Thickness: 1.6

Typical Application
Corner Support

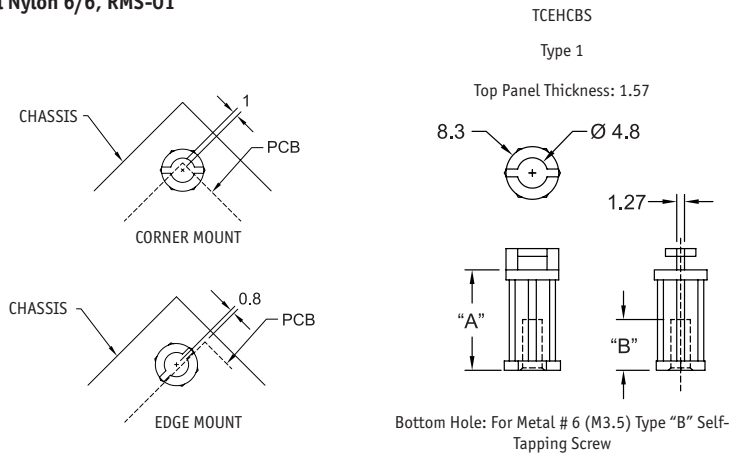


Part Number	"A" Standoff Height	Std Pack Qty
CHCBS-3-01	4.8	1000
CHCBS-4-01	6.4	1000
CHCBS-6-01	9.5	1000
CHCBS-10-01	15.9	1000
CHCBS-14-01	22.2	1000

Corner Edge Holding Circuit Board Support

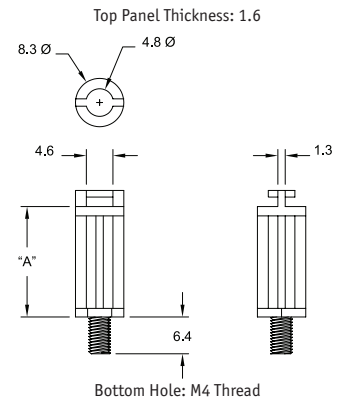
TCEHCBS/MSEHCBS

Natural Nylon 6/6, RMS-01



MSEHCBS

Type 2

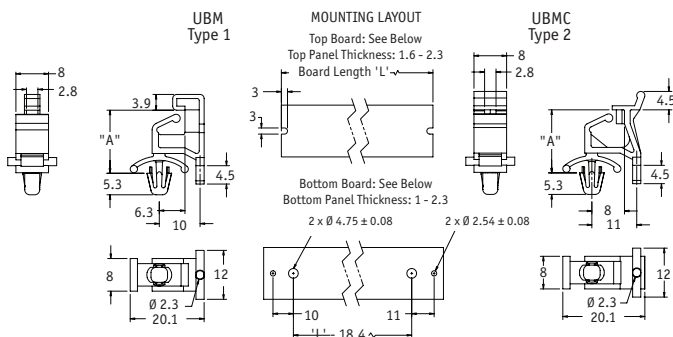


Part Number	"A" Standoff Height	"B"	Type	Std Pack Qty
TCEHCBS-4-01	6.4	5.2	1	1000
TCEHCBS-6-01	9.5	7.9	1	1000
TCEHCBS-8-01	12.7	7.9	1	1000
TCEHCBS-10-01	15.9	7.9	1	1000
TCEHCBS-12-01	19.1	7.9	1	1000
TCEHCBS-14-01	22.2	7.9	1	1000
MSCEHCBS-4-01	6.4	5.2	2	1000
MSCEHCBS-6-01	9.5	7.9	2	1000
MSCEHCBS-8-01	12.7	7.9	2	1000
MSCEHCBS-10-01	15.9	7.9	2	1000
MSCEHCBS-12-01	19.1	7.9	2	1000
MSCEHCBS-14-01	22.2	7.9	2	1000

Universal Board Mount

UBM & UBMC

Natural

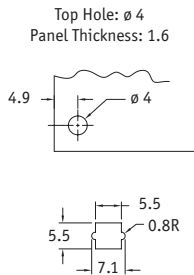
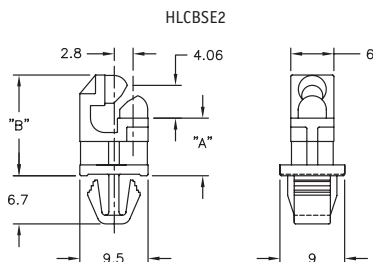
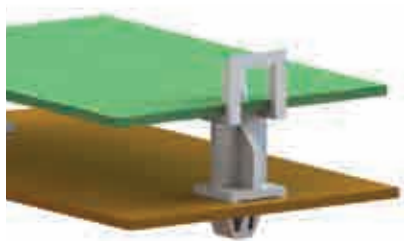


Part Number		"A" Standoff Height	Std Pack Qty
UBM (Type 1)	UBMC (Type 2)		
Nylon 6/6, RMS-01	Nylon 6/6, RMS-01		
UBM-12.3M-01	UBMC-12.3M-01	12.3	500
UBM-15.5M-01	UBMC-15.5M-01	15.5	500
UBM-22.0M-01	-	22	500

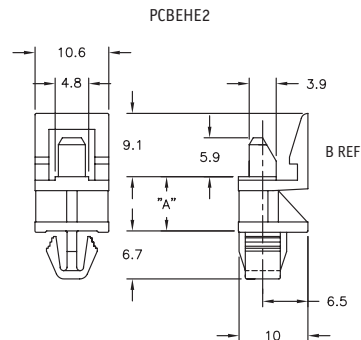
Hinged Locking Circuit Board Support System

HLCBSE2 & PCBEHE2, UL94 V2 Nylon 6/6, RMS-01

Natural



Bottom Hole: See Above
Panel Thickness: 1.2 - 1.8

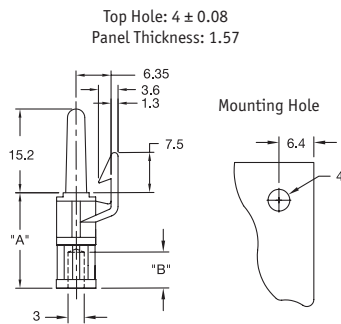


Part Number	"A" Standoff Height	"B"	Part Number	"A" Standoff Height	"B"	Std Pack Qty
HLCBSE2-4M-01	4	10	PCBEHE2-4M-01	4	13.1	1000
HLCBSE2-6M-01	6	12	PCBEHE2-6M-01	6	15.1	1000
HLCBSE2-8M-01	8	14	PCBEHE2-8M-01	8	17.1	1000
HLCBSE2-10M-01	10	16	PCBEHE2-10M-01	10	19.1	1000
HLCBSE2-12M-01	12	18	PCBEHE2-14M-01	14	23.1	1000
HLCBSE2-25M-01	25	31	PCBEHE2-25M-01	25	34.1	1000
HLCBSE2-30M-01	30	36	PCBEHE2-30M-01	30	39.1	1000

Edge Holding Circuit Board Support

TEHCBS

Natural



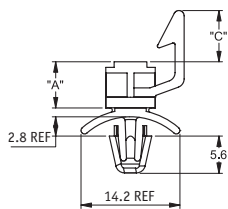
Bottom Hole:
For Metal #6 Self-Tapping Screw

Part Number		"A" Standoff Height	"B"	Std Pack Qty
UL94 V2 Nylon 6/6, RMS-01	UL94 V0 Nylon 6/6, RMS-19			
TEHCBS-4-01	TEHCBS-4-19	6.4	6.4	1000
TEHCBS-5-01	-	7.9	5.2	1000
TEHCBS-6-01	TEHCBS-6-19	9.5	6.4	1000
TEHCBS-8-01	TEHCBS-8-19	12.7	6.4	1000
TEHCBS-10-01	TEHCBS-10-19	15.9	6.4	1000
TEHCBS-12-01	TEHCBS-12-19	19.1	6.4	1000
-	TEHCBS-14-19	22.2	6.4	1000
-	TEHCBS-16-19	25.4	6.4	1000

Edge Holding Circuit Board Support, No Nose

EHCBS-9/10

Natural, UL94 V2 Nylon 6/6, RMS-01

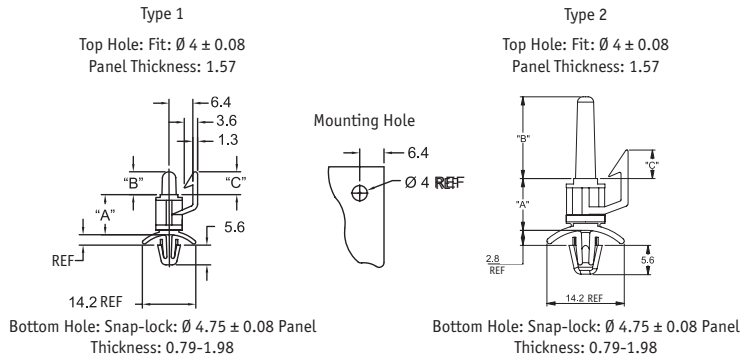


Bottom Hole:
Snap-lock: $\varnothing 4.75 \pm 0.08$
Panel Thickness: 0.79-1.98

Part Number		"A" Standoff Height	Std Pack Qty
"C" = 6.1	"C" = 7.5		
EHCBS-9-5-01	EHCBS-10-5-01	7.9	1000
EHCBS-9-6-01	EHCBS-10-6-01	9.5	1000
-	EHCBS-10-8-01	12.7	1000
EHCBS-9-10-01	EHCBS-10-10-01	15.9	1000
-	EHCBS-10-12-01	19.1	1000
-	EHCBS-10-14-01	22.2	1000
-	EHCBS-10-16-01	25.4	1000

Edge Holding Circuit Board Support

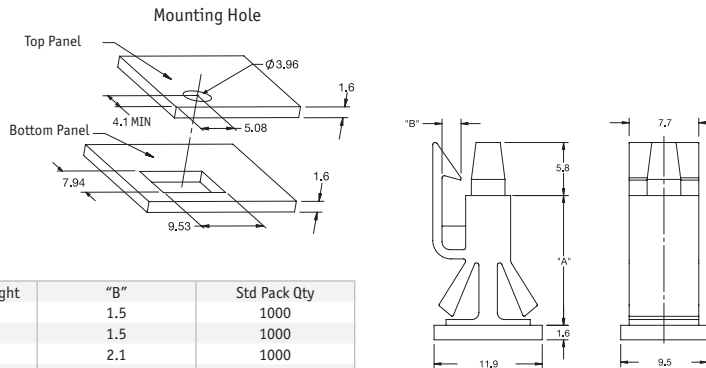
EHCBS
Natural



Part Number								"A"	Std Pack Qty
Type 1		Type 1		Type 2		Type 2			
"B" = 15.2 "C" = 7.5		"B" = 6.1 "C" = 6.1		"B" = 6.1 "C" = 7.5		"B" = 15.2 "C" = 6.1			
UL94 V2	UL94 V0	UL94 V2	UL94 V0	UL94 V2	UL94 V0	UL94 V2	UL94 V0		
Nylon 6/6, RMS-01	Nylon 6/6, RMS-19	Nylon 6/6, RMS-01	Nylon 6/6, RMS-19	Nylon 6/6, RMS-01	Nylon 6/6, RMS-19	Nylon 6/6, RMS-01	Nylon 6/6, RMS-19	7.9	1000
EHCBS-5-01	EHCBS-5-19	EHCBS-6-5-01	EHCBS-6-5-19	EHCBS-7-5-01	EHCBS-7-5-19	EHCBS-8-5-01	-	9.5	1000
EHCBS-6-01	-	EHCBS-6-6-01	EHCBS-6-6-19	EHCBS-7-6-01	EHCBS-7-6-19	EHCBS-8-6-01	-	12.7	1000
EHCBS-8-01	EHCBS-8-19	EHCBS-6-8-01	EHCBS-6-8-19	EHCBS-7-8-01	EHCBS-7-8-19	EHCBS-8-8-01	EHCBS-8-8-19	15.9	1000
EHCBS-10-01	EHCBS-10-19	-	EHCBS-6-10-19	-	EHCBS-7-10-19	EHCBS-8-10-01	EHCBS-8-10-19	19.1	1000
EHCBS-12-01	-	EHCBS-6-12-01	EHCBS-6-12-19	EHCBS-7-12-01	EHCBS-7-12-19	EHCBS-8-12-01	EHCBS-8-12-19	22.2	1000
-	EHCBS-14-19	-	EHCBS-6-14-19	-	EHCBS-7-14-19	EHCBS-8-14-01	EHCBS-8-14-19	25.4	1000
EHCBS-16-01	EHCBS-16-19	EHCBS-6-16-01	EHCBS-6-16-19	EHCBS-7-16-01	EHCBS-7-16-19	EHCBS-8-16-01	EHCBS-8-16-19		

Reverse Locking Edge Holding Circuit Board Support

RLEHCBS
Black, UL94 V2 Nylon 6/6,
RMS-01



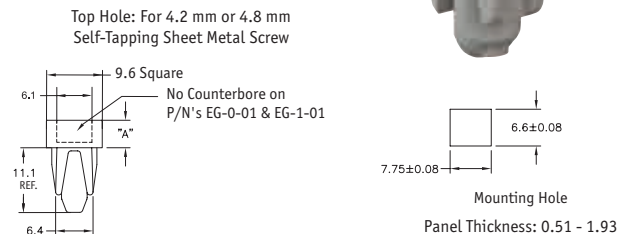
Part number	"A" Standoff Height	"B"	Std Pack Qty
RLEHCBS-5-01BK	9.5	1.5	1000
RLEHCBS-6-01BK	11.1	1.5	1000
RLEHCBS-7-01BK	12.7	2.1	1000
RLEHCBS-8-01BK	14.3	2.1	1000



Expansion Grommet

EG
Natural, Nylon 6/6, RMS-01

Part Number	"A" Standoff Height	Std Pack Qty
EG-0-01	0.8	1000
EG-1-01	1.6	1000
EG-2-01	3.2	1000
EG-3-01	4.8	1000
EG-4-01	6.4	1000
EG-5-01	7.9	1000
EG-7-01	11.1	1000
EG-8-01	12.7	1000

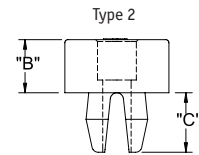
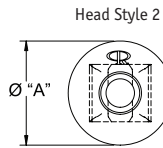
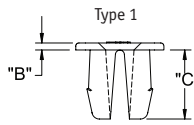
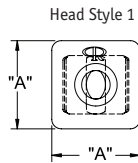


SPECIALIST SPACERS

Self-Retaining Screw Grommet

SRS

Nylon 6/6, RMS-01



Part Number	"A" Head Size	"B" Head Thickness	"C" Prong Length	Mounting Hole Size (Square)	Panel Thickness Range	Metal Self-Tapping Screw Size (mm)	Type	Head Style	Std Pack Qty
SRS6-04-01	9.7x9.7	1	7.1	6.22-6.48	0.79-3.18	3.5	1	1	1000
SRS6-1D	12.4 Dia.	6.1-6.6	7.1	7.14-7.26	*0.79-2.77	4.2 or 4.8	2	2	1000
SRS6-2D	12.4 Dia.	7.8-8.1	7.1	7.14-7.26	*0.79-2.77	4.2 or 4.8	2	2	1000
SRS6-3D	12.4 Dia.	9.1-9.9	7.1	7.14-7.26	*0.79-2.77	4.2 or 4.8	2	2	1000
SRS6-4D	12.4 Dia.	12.3-13.1	7.1	7.14-7.26	*0.79-2.77	4.2 or 4.8	2	2	1000
SRS6-5D	12.4 Dia.	15.5-16.3	7.1	7.14-7.26	*0.79-2.77	4.2 or 4.8	2	2	1000
SRS6-6D	12.4 Dia.	17.1-17.8	7.1	7.14-7.26	*0.79-2.77	4.2 or 4.8	2	2	1000
SRS6-7S	10.3x10.3	0.7 - 1	8.3	6.99-7.37	0.79-3.3	4.2 or 4.8	1	1	1000
SRS6-8S	10.3x10.3	1.4 - 1.7	8.3	6.99-7.37	0.79-3.3	4.2 or 4.8	1	1	1000
SRS6-9D	12.7 Dia.	2.4-2.6	8.3	7.11-7.49	0.79-3.96	4.2 or 4.8	1	2	1000
SRS6-10D	12.7 Dia.	3.2-3.4	8.3	7.11-7.49	0.79-3.96	4.2 or 4.8	1	2	1000
SRS6-11D	12.7 Dia.	9.1-9.9	8.3	7.11-7.49	0.79-3.96	4.2 or 4.8	1	2	1000

*At minimum panel thickness, part will only function with a 4.8 mm screw.

Self-Retaining Spacer

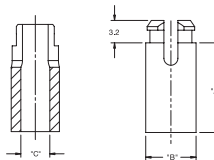
SRS

Natural



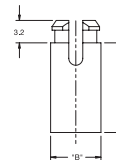
Type 1

Top Hole: Snap-lock: Ø 4.7
Panel Thickness: 1.57



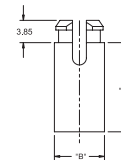
Type 2

Top Hole: Snap-lock: Ø 5.9
Panel Thickness: 1.57



Type 3

Top Hole: Snap-lock: Ø 5.9
Panel Thickness: 2.2



Part Number				"A" Standoff Height	Material	Std Pack Qty
Type 1	Type 2	Type 3				
For M3 Screw	For M3.5 Screw	For M4 Screw				
"B" = 6.4 "C" = 3.2	"B" = 7.1 "C" = 3.9	"B" = 7.1 "C" = 4.3				
SRS4-2-01	-	-	-	3.2	UL94 V2 Nylon 6/6, RMS-01	1000
SRS4-3-01	-	SRS8-3-01	SRS8-2-3-01	4.8	UL94 V2 Nylon 6/6, RMS-01	1000
SRS4-4-01	SRS6-4-01	SRS8-4-01	SRS8-2-4-01	6.4	UL94 V2 Nylon 6/6, RMS-01	1000
SRS4-5-01	SRS6-5-01	SRS8-5-01	SRS8-2-5-01	7.9	UL94 V2 Nylon 6/6, RMS-01	1000
SRS4-6-01	SRS6-6-01	SRS8-6-01	SRS8-2-6-01	9.5	UL94 V2 Nylon 6/6, RMS-01	1000
SRS4-7-01	SRS6-7-01	SRS8-7-01	SRS8-2-7-01	11.1	UL94 V2 Nylon 6/6, RMS-01	1000
SRS4-8-01	SRS6-8-01	SRS8-8-01	SRS8-2-8-01	12.7	UL94 V2 Nylon 6/6, RMS-01	1000
SRS4-10-01	SRS6-10-01	SRS8-10-01	SRS8-2-10-01	15.9	UL94 V2 Nylon 6/6, RMS-01	1000
SRS4-12-01	SRS6-12-01	SRS8-12-01	SRS8-2-12-01	19.1	UL94 V2 Nylon 6/6, RMS-01	1000
SRS4-14-01	SRS6-14-01	-	SRS8-2-14-01	22.2	UL94 V2 Nylon 6/6, RMS-01	1000
SRS4-16-01	SRS6-16-01	SRS8-16-01	SRS8-2-16-01	25.4	UL94 V2 Nylon 6/6, RMS-01	1000
SRS4-2-19	-	SRS8-2-19	SRS8-2-2-19	3.2	UL94 V0 Nylon 6/6, RMS-19	1000
SRS4-3-19	-	SRS8-3-19	SRS8-2-3-19	4.8	UL94 V0 Nylon 6/6, RMS-19	1000
-	SRS6-4-19	-	SRS8-2-4-19	6.4	UL94 V0 Nylon 6/6, RMS-19	1000
SRS4-5-19	SRS6-5-19	SRS8-5-19	SRS8-2-5-19	7.9	UL94 V0 Nylon 6/6, RMS-19	1000
-	SRS6-6-19	SRS8-6-19	SRS8-2-6-19	9.5	UL94 V0 Nylon 6/6, RMS-19	1000
SRS4-7-19	SRS6-7-19	SRS8-7-19	SRS8-2-7-19	11.1	UL94 V0 Nylon 6/6, RMS-19	1000
SRS4-8-19	SRS6-8-19	SRS8-8-19	-	12.7	UL94 V0 Nylon 6/6, RMS-19	1000
SRS4-10-19	SRS6-10-19	SRS8-10-19	-	15.9	UL94 V0 Nylon 6/6, RMS-19	1000
-	SRS6-12-19	SRS8-12-19	SRS8-2-12-19	19.1	UL94 V0 Nylon 6/6, RMS-19	1000
SRS4-14-19	SRS6-14-19	SRS8-14-19	SRS8-2-14-19	22.2	UL94 V0 Nylon 6/6, RMS-19	1000
-	SRS6-16-19	SRS8-16-19	SRS8-2-16-19	25.4	UL94 V0 Nylon 6/6, RMS-19	1000

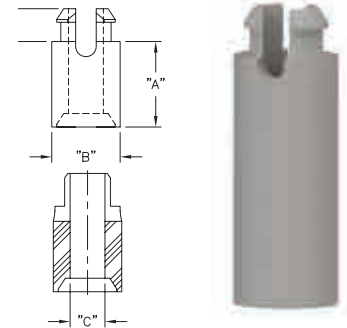
Stackable Self-Retaining Spacer

SSRS

Natural, UL94 V2 Nylon 6/6, RMS-01

Part Number		"A" Standoff Height	Std Pack Qty	
For M3 Screw	For M4 Screw			
"B" = 6.6 "C" = 3.3 Top Hole = 4.75±0.08	"B" = 7.9 "C" = 3.9 Top Hole = 5.94±0.08			
SSRS4-2-01	-	3.2	1000	
SSRS4-3-01	-	4.8	1000	
SSRS4-4-01	SSRS6-4-01	6.4	1000	
SSRS4-5-01	SSRS6-5-01	7.9	1000	
SSRS4-6-01	SSRS6-6-01	9.5	1000	
SSRS4-7-01	SSRS6-7-01	11.1	1000	
SSRS4-8-01	SSRS6-8-01	12.7	1000	
SSRS4-10-01	SSRS6-10-01	15.9	1000	
-	-	SSRS8-12-01	19.1	1000
-	SSRS6-14-01	SSRS8-14-01	22.2	1000
-	SSRS6-16-01	SSRS8-16-01	25.4	1000

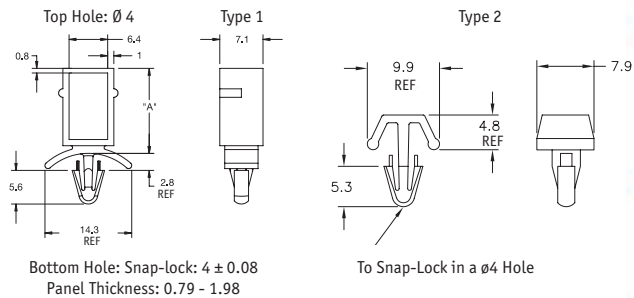
Top Hole: Locking: See Table
Panel Thickness: 1.57



Circuit Board Stacking Spacer

CBSS

Natural



Spacer (Type 1)		Mounting Button (Type 2)		
Natural Nylon 6/6, RMS-01	"A" Standoff Height	Natural UL94 V2 Nylon 6/6, RMS-01	Total Holding Thickness	Std Pack Qty
CBSS-8-01	10.9	MB-1-156	0.8 - 2.4	1000
CBSS-10-01	14	MB-1-156	0.8 - 2.4	1000
CBSS-12-01	17.3	MB-1-156	0.8 - 2.4	1000
CBSS-14-01	20.3	MB-1-156	0.8 - 2.4	1000

Collar Space

CSP & CSR

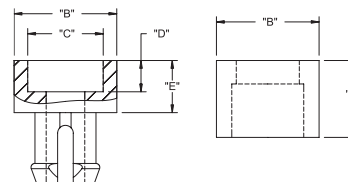
Natural UL94 V2 Nylon 6/6, RMS-01

Retainer

Part Number	"A"	"B"	Mating Pin (CSP) No.	Std Pack Qty
CSR4-224-01	5.7	7.5	CSP4-01	1000
CSR4-295-01	7.5	7.5	CSP4-01	1000
CSR4-394-01	10	7.5	CSP4-01	1000
CSR4-591-01	15	7.5	CSP4-01	1000
CSR6-224-01	5.7	10	CSP6-01	1000
CSR6-295-01	7.5	10	CSP6-01	1000
CSR6-394-01	10	10	CSP6-01	1000
CSR6-591-01	15	10	CSP6-01	1000
CSR8-224-01	5.7	11	CSP8-01	1000
CSR8-295-01	7.5	11	CSP8-01	1000
CSR8-394-01	10	11	CSP8-01	1000
CSR8-591-01	15	11	CSP8-01	1000
CSR8-787-01	20	11	CSP8-01	1000

CSP (PIN) CSR (RETAINER)

Top Hole: See Table
Panel Thickness: 2.36 Max.



Bottom Hole: See Table

Pin

Part Number	"B"	"C" Dia.	"D" Ref.	"E" Ref.	Mounting Hole Dia. ± 0.08	Binding Head Type Screw Size	Std Pack Qty
CSP4-01	7.5	-	-	2.5	5	M2.5	1000
CSP6-01	10	7.4	3	5.1	6.5	M3	1000
CSP8-01	11.1	8.4	3.6	5.6	6.9	M4	1000

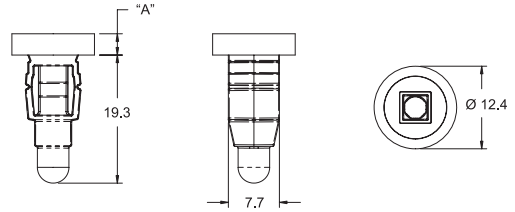
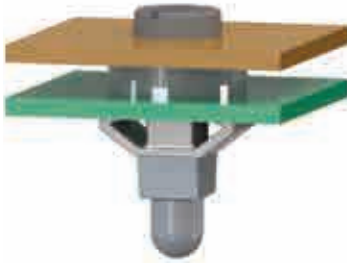


SPECIALIST SPACERS

Toggle Fixer

TFR

Natural UL94 V2 Nylon 6/6, RMS-01



Part Number	"A"	Panel Thickness	Mounting Hole Ø	Std Pack Qty
TFR-1	0.8	1.5 - 2.8	8 ± 0.1 Square	1000
TFR-2	3.2	0.5 - 2.8	8 ± 0.1 Square	1000
TFR-3	4.8	0.5 - 2.8	8 ± 0.1 Square	1000

Accepts Metal Self-Tapping Screw Size 4.2 mm

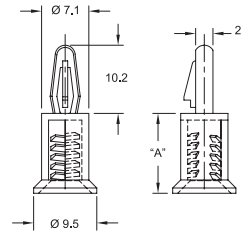
Stud Fitting Circuit Board Support

SFCBS

Natural Nylon 6/6, RMS-01



Top Hole: Snap-lock: 4 ± 0.08
Panel Thickness: 1.57



Bottom Hole: To fit a metal
M4 screw or stud

Part Number	"A" Standoff Height	Stud Length	Std Pack Qty
SFCBS-M4-10M-01	10	8	1000
SFCBS-M4-12M-01	12	10	1000
SFCBS-M4-14M-01	14	12	1000
SFCBS-M4-16M-01	16	14	1000
SFCBS-M4-18M-01	18	16	1000
SFCBS-M4-20M-01	20	18	1000

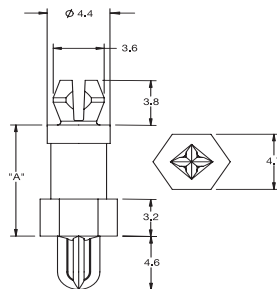
Mini Support Post Self-Threading

MSPMST

Natural Nylon 6/6, RMS-01



Top Hole: Snap-fit: 3.18 ± 0.05
Panel Thickness: 1.57



Bottom Hole: Self Threading into a #4 or M3
Threaded Hole or Nut.
Panel Thickness: 1.6 Minimum

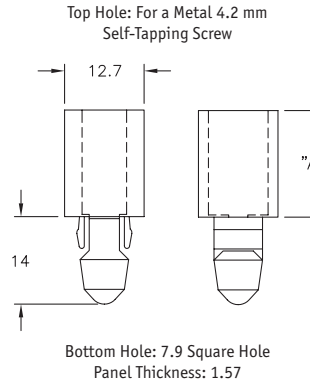
Part Number	"A" Standoff Height	Std Pack Qty
MSPMST-2-01	3.2	1000
MSPMST-3-01	4.8	1000
MSPMST-4-01	6.4	1000
MSPMST-5-01	7.9	1000
MSPMST-6-01	9.5	1000
MSPMST-7-01	11.1	1000
MSPMST-8-01	12.7	1000
MSPMST-9-01	14.3	1000

Spacer Nut

SN

Clear Polycarbonate RMS-03

Part Number	"A" Standoff Height	Std Pack Qty
SN-187	4.8	1000
SN-250	6.4	1000
SN-312	8	1000
SN-500	12.7	1000

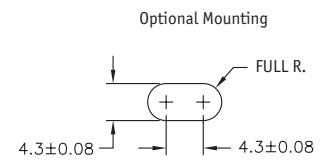
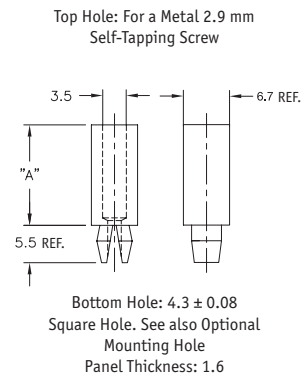


Spacer Nut

MSNE

Natural

Part Number		Dimension	Std Pack Qty
UL94 V2 Nylon 6/6, RMS-01	UL94 V0 Nylon 6/6, RMS-19	"A" Standoff Height	
MSNE-2-01	MSNE-2-19	3.2	1000
MSNE-4M-01	MSNE-4M-19	4	1000
MSNE-3-01	MSNE-3-19	4.8	1000
MSNE-6M-01	MSNE-6M-19	6	1000
MSNE-4-01	MSNE-4-19	6.4	1000
MSNE-5-01	MSNE-5-19	7.9	1000
MSNE-8M-01	MSNE-8M-19	8	1000
MSNE-6-01	MSNE-6-19	9.5	1000
MSNE-10M-01	-	10	1000
MSNE-12M-01	MSNE-12M-19	12	1000
MSNE-8-01	MSNE-8-19	12.7	1000
MSNE-10-01	MSNE-10-19	15.9	1000
MSNE-12-01	MSNE-12-19	19.1	1000
MSNE-16-01	-	25.4	1000

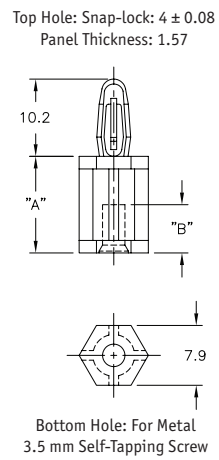


Circuit Board Support Self-Tapping

TCBS

Natural

Part Number		Dimension		Std Pack Qty
UL94 V2 Nylon 6/6, RMS-01	UL94 V0 Nylon 6/6, RMS-19	"A" Standoff Height	"B"	
TCBS-4-01	TCBS-4-19	6.4	5.2	1000
TCBS-6-01	TCBS-6-19	9.5	7.9	1000
TCBS-8-01	TCBS-8-19	12.7	7.9	1000
TCBS-10-01	TCBS-10-19	15.9	7.9	1000
TCBS-12-01	TCBS-12-19	19.1	7.9	1000
TCBS-14-01	TCBS-14-19	22.2	7.9	1000
TCBS-16-01	TCBS-16-19	25.4	7.9	1000
TCBS-18-01	TCBS-18-19	28.6	7.9	1000
TCBS-20-01	TCBS-20-19	31.7	7.9	1000
TCBS-22.5-01	TCBS-22.5-19	35.7	7.9	1000

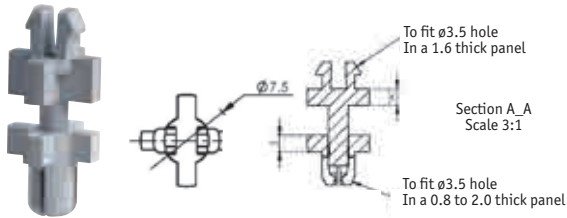


SPECIALIST SPACERS

Rivet Based Spacer

SR 6272

Natural Nylon 6/6 UL-94 V-2



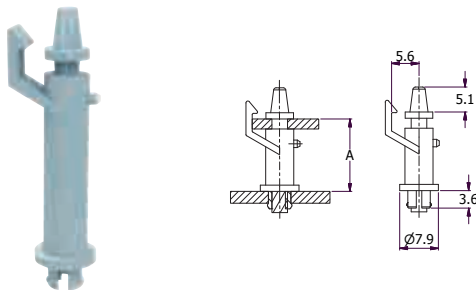
- Circuit board support installed like a rivet
- No additional fastenings required
- Range of panel depths
- Range of metric spacer heights
- No installation tools required

Part Number	Dimensions (mm)				Std Pack Qty
	"A" Standoff Height	Panel Hole Dia.	Top Panel Thickness - Snap Fit	Bottom Panel Thickness - Rivet	
551773	3	3.5	1.6	0.8-2	1000
551774	4	3.5	1.6	0.8-2	1000
551775	5	3.5	1.6	0.8-2	1000
551776	6	3.5	1.6	0.8-2	1000
551777	7	3.5	1.6	0.8-2	1000
551778	8	3.5	1.6	0.8-2	1000
551779	10	3.5	1.6	0.8-2	1000
551780	12	3.5	1.6	0.8-2	1000
551781	14	3.5	1.6	0.8-2	1000
551782	16	3.5	1.6	0.8-2	1000
551783	18	3.5	1.6	0.8-2	1000
551784	20	3.5	1.6	0.8-2	1000
551785	22	3.5	1.6	0.8-2	1000

Rivet Edge Holding Support

REHCBS

Natural Nylon 6/6 UL-94 V-2



- Top hole is snap-lock mounted into a 4mm hole in a 1.8mm (max) thick panel
- Bottom hole is mounted into a 4.8mm hole in a 1.2-2.7mm thick panel



Installation Tool, REHCBS-T Sold Separately

Part Number	"A" Standoff Height (mm)	Std Pack Qty
REHCBS-4-01	6.4	1000
REHCBS-8-01	12.7	1000

PCB To Facia Panel Mounting

SR 6279

Natural Nylon 6/6 UL-94 V-2, Stainless Steel



- Lightweight
- Mounted with only a single M2.5 screw (supplied)
- Anti-rotating clip design
- Holds facia and circuit board together
- Faster to install than a conventional bracket
- M2.5 Mounting Screw Supplied
- Suitable for U style equipment cases

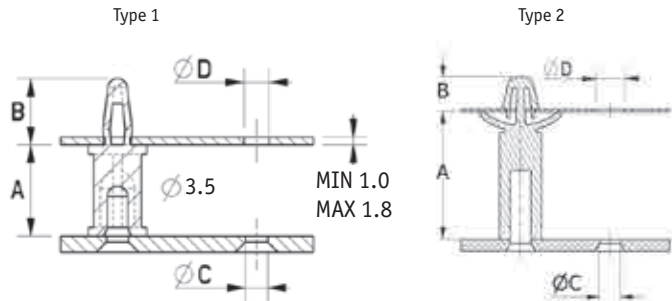
Part Number	Mounting Hole Dia.	Mounting Screw	Std Pack Qty
RPM-1	2.5	M2.5 Included	1000

Screw Fastened Spacer

SR6434

Natural Nylon 6.6

- Secured by a self tapping screw
- Simple Snap-in board mounting
- Available in a range of heights



Part number	Dimensions (mm)				Type	Std Pack Qty
	"A" Standoff Height	B	C	D		
100206400002	6.4	9	3.5	4	1	1000
100209500002	9.5	9	3.5	4	1	1000
100212700002	12.7	9	3.5	4	1	1000
100215900002	15.9	9	3.5	4	1	1000
100219200002	19.1	9	3.5	4	1	1000
100222200002	22.2	9	3.5	4	1	1000
100225400002	25.4	9	3.5	4	1	1000
100228600002	28.6	9	3.5	4	1	1000
100209100002	9.6	8	3.5	4	2	1000
100213100002	12.7	8	3.5	4	2	1000
100219100002	19.1	8	3.5	4	2	1000
100229100002	28.5	8	3.5	4	2	1000

QUESTIONS? GIVE US A CALL

Our Customer Service advisors are here to help you find the right product for your application.

Call 0845 758 5070
www.essentracomponents.co.uk

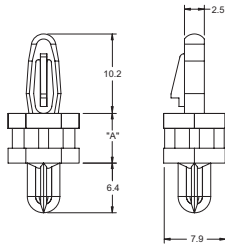
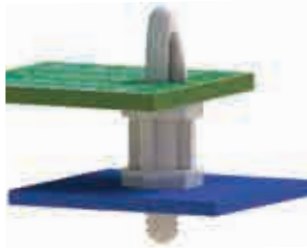


THREADED AND NON-THREADED SPACERS

Self Threading Circuit Board Support

SCBSST

Natural UL94 V-2 Nylon 6/6, RMS-01



Top Hole: Snap-Lock: 4
Panel Thickness: 1.6

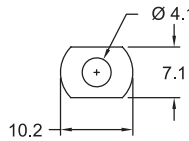
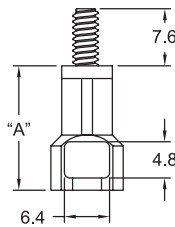
Bottom Hole: Self-Thread into a #8 or M4 Threaded Hole or Nut
Panel Thickness: 1.6 Minimum

Part Number	"A" Standoff Height	Std Pack Qty
SCBSST-6-01	9.5	1000
SCBSST-8-01	12.7	1000
SCBSST-14-01	22.2	1000
SCBSST-18-01	28.6	1000

Snap Rivet Studded Circuit Board Support

SRSCBS

Natural



Bottom Hole:
Snap Rivet: 4.1 - 4.2
Panel Thickness:
See Rivet Table

Rivets

Use Rivet Part Number	For Panel Thickness	Std Pack Qty
SR-4050B/SR-4050W	0.7-1.6	1000
SR-4060B/SR-4060W	1.5-2.7	1000
SR-4070B/SR-4070W	2.7-3.7	1000
SR-4080B/SR-4080W	3.7-4.7	1000
SR-4090B/SR-4090W	4.7-5.7	1000
SR-4100B/SR-4100W	5.7-6.7	1000
SR-4120B/SR-4120W	7.2-8.7	1000

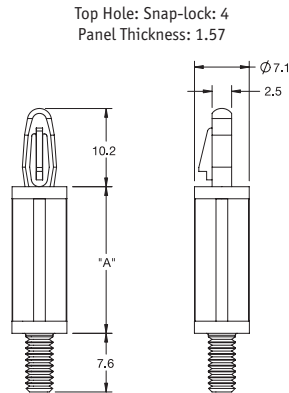
Part Number				"A" Standoff Height	Std Pack Qty
Thread #6-32	Thread M3	Thread M4			
	Nylon 6/6, RMS-01		UL94 V0 Nylon 6/6, RMS-19		
SRSCBS-6-01	SRSCBS-M3-6-01	SRSCBS-M4-6-01	SRSCBS-M4-6-19	9.5	1000
SRSCBS-7-01	SRSCBS-M3-7-01	SRSCBS-M4-7-01	SRSCBS-M4-7-19	11.1	1000
SRSCBS-8-01	SRSCBS-M3-8-01	SRSCBS-M4-8-01	SRSCBS-M4-8-19	12.7	1000
SRSCBS-10-01	-	-	SRSCBS-M4-10-19	15.9	1000
-	SRSCBS-M3-12-01	SRSCBS-M4-12-01	SRSCBS-M4-12-19	19.1	1000
-	-	SRSCBS-M4-14-01	SRSCBS-M4-14-19	22.2	1000

Locking Circuit Board Support Threaded Male

LCBS-TM

Natural

- M4 Thread



Top Hole: Snap-lock: 4
Panel Thickness: 1.57

Part Number		"A" Standoff Height	Std Pack Qty
Natural UL94 V2 Nylon 6/6, RMS-01	Natural UL94 V0 Nylon 6/6, RMS-19		
LCBS-TM-M4-4-01	LCBS-TM-M4-4-19	6.4	1000
LCBS-TM-M4-6-01	LCBS-TM-M4-6-19	9.5	1000
LCBS-TM-M4-8-01	LCBS-TM-M4-8-19	12.7	1000
LCBSTM-M4-10-01	LCBSTM-M4-10-19	15.9	1000
LCBSTM-M4-12-01	LCBSTM-M4-12-19	19.1	1000
LCBSTM-M4-14-01	-	22.2	1000
LCBSTM-M4-16-01	LCBSTM-M4-16-19	25.4	1000

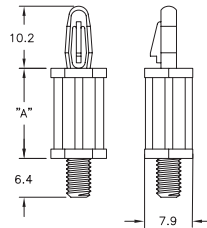
Studded Circuit Board

SCBS/SCBSM/SCBS/MSCBSM

Natural

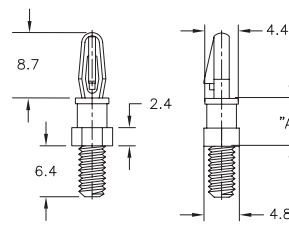
Top Hole: Snap-lock: 4 ± 0.08
Panel Thickness: 1.57

Type 1



Top Hole: Snap-lock: 3.18 ± 0.05
Panel Thickness: 1.57

Type 2



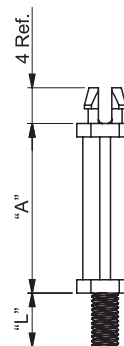
Thread: #8-32	Thread: M3		Thread: M4				"A" Standoff Height	Std Pack Qty
SCBS (Type 1)	MSCBSM (Type 2)		MSCBS (Type 1)		MSCBSM (Type 2)			
UL94 V2 Nylon 6/6, RMS-01	UL94 V2 Nylon 6/6, RMS-01	UL94 V0 Nylon 6/6, RMS-19	UL94 V2 Nylon 6/6, RMS-01	UL94 V0 Nylon 6/6, RMS-19	UL94 V2 Nylon 6/6, RMS-01	UL94 V0 Nylon 6/6, RMS-01		
-	MSCBSM-M3-2-01	MSCBSM-M3-2-19	-	-	MSCBSM-M4-2-01	-	3.2	1000
-	MSCBSM-M3-3-01	MSCBSM-M3-3-19	-	-	MSCBSM-M4-3-01	MSCBSM-M4-3-19	4.8	1000
SCBS-4-01	MSCBSM-M3-4-01	MSCBSM-M3-4-19	MSCBS-4-01	MSCBS-4-19	MSCBSM-M4-4-01	-	6.4	1000
-	MSCBSM-M3-5-01	-	-	-	MSCBSM-M4-5-01	-	7.9	1000
SCBS-6-01	MSCBSM-M3-6-01	-	MSCBS-6-01	MSCBS-6-19	MSCBSM-M4-6-01	MSCBSM-M4-6-19	9.5	1000
-	MSCBSM-M3-7-01	-	-	-	MSCBSM-M4-7-01	-	11.1	1000
SCBS-8-01	MSCBSM-M3-8-01	MSCBSM-M3-8-19	MSCBS-8-01	MSCBS-8-19	MSCBSM-M4-8-01	-	12.7	1000
-	MSCBSM-M3-9-01	-	-	-	-	MSCBSM-M4-9-19	14.3	1000
-	MSCBSM-M3-10-01	-	MSCBS-10-01	MSCBS-10-19	MSCBSM-M4-10-01	MSCBSM-M4-10-19	15.9	1000
SCBS-12-01	-	-	MSCBS-12-01	MSCBS-12-19	-	-	19.1	1000
SCBS-14-01	-	-	MSCBS-14-01	MSCBS-14-19	-	-	22.2	1000
-	-	-	MSCBS-16-01	-	-	-	25.4	1000
-	-	-	MSCBS-18-01	MSCBS-18-19	-	-	28.6	1000
-	-	-	MSCBS-22.5-01	MSCBS-22.5-19	-	-	35.7	1000

Studded Circuit Board

TCBNS

Black, UL94 V2 Nylon 6/6, RMS-172

Top Hole: See Table
Panel Thickness: 1.6



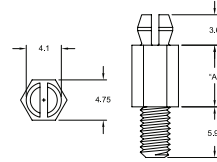
Part Number			"A" Standoff Height	Std Pack Qty
Top Hole: \emptyset 3 Thread: M2.5 "L" Thread Length: 6	Top Hole: \emptyset 3 Thread: M3 "L" Thread Length: 6	Top Hole: \emptyset 3.8 Thread: M4 "L" Thread Length: 8		
TCBNS-M2.5-3	TCBNS-M3-3	TCBNS-M4-3	3	1000
TCBNS-M2.5-5	TCBNS-M3-5	TCBNS-M4-5	5	1000
TCBNS-M2.5-6	TCBNS-M3-6	TCBNS-M4-6	6	1000
TCBNS-M2.5-8	TCBNS-M3-8	TCBNS-M4-8	8	1000
TCBNS-M2.5-10	TCBNS-M3-10	TCBNS-M4-10	10	1000
TCBNS-M2.5-12	TCBNS-M3-12	TCBNS-M4-12	12	1000
TCBNS-M2.5-15	TCBNS-M3-15	TCBNS-M4-15	15	1000
TCBNS-M2.5-20	TCBNS-M3-20	TCBNS-M4-20	20	1000

THREADED AND NON-THREADED SPACERS

Hex Mini Support Post Threaded Male

HMSP-TM

Natural, UL94 V2 Nylon 6/6, RMS-01



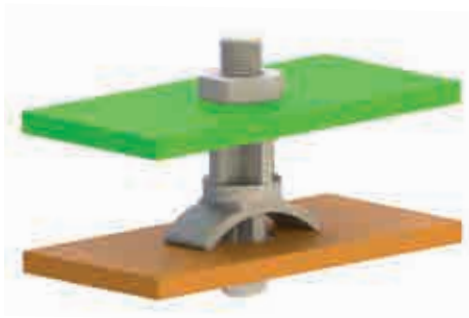
Top Hole: Snap-fit: 3.86 ± 0.05
Panel Thickness: 1.57

Part Number			"A" Standoff Height	Std Pack Qty
Thread: #6-32	Thread: M3	Thread: M4		
-	HMSP-TM-M3-2-01	HMSP-TM-M4-2-01	3.2	1000
-	HMSP-TM-M3-3-01	HMSP-TM-M4-3-01	4.8	1000
-	HMSP-TM-M3-4-01	HMSP-TM-M4-4-01	6.4	1000
HMSP-TM-6-01	HMSP-TM-M3-6-01	HMSP-TM-M4-6-01	9.5	1000
HMSP-TM-8-01	HMSP-TM-M3-8-01	HMSP-TM-M4-8-01	12.7	1000
HMSP-TM-10-01	HMSP-M3-10-01	HMSP-M4-10-01	15.9	1000
-	HMSP-M3-12-01	HMSP-M4-12-01	19.1	1000
HMSP-TM-14-01	HMSP-M3-14-01	-	22.2	1000

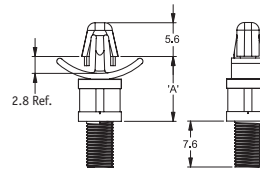
Threaded Circuit Board Support

LCCBS-TM

Natural, UL94 V2 Nylon 6/6, RMS-01



Top Hole: Snap-lock: $\varnothing 4.75 \pm 0.08$
Panel Thickness: 1.57



Bottom Hole: See table

Part Number		"A" Standoff Height	Std Pack Qty
#6-32 Thread	M4 Thread		
LCCBS-TM-6-01	LCCBSM-M4-6-01	10.7	1000
-	LCCBSM-M4-8-01	13.9	1000
LCCBS-TM-10-01	LCCBSM-M4-10-01	17.1	1000
LCCBS-TM-12-01	LCCBSM-M4-12-01	20.2	1000
LCCBS-TM-14-01	LCCBSM-M4-14-01	23.4	1000
LCCBS-TM-16-01	-	26.6	1000

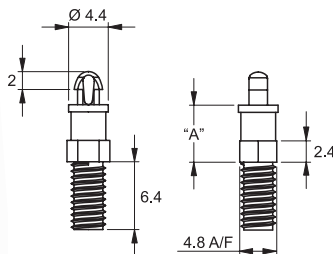
Miniature Threaded Circuit Board Support

MSCBST

Natural, UL94 V2 Nylon 6/6, RMS-01



Top Hole: $\varnothing 2.5 \pm 0.05$
Panel Thickness: 1.6 ± 0.2



Bottom Hole: see table

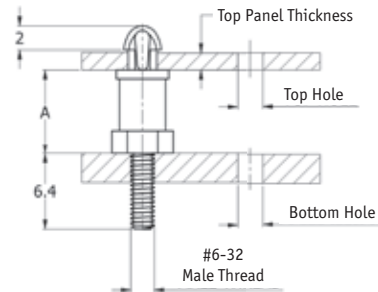
Part Number		"A" Standoff Height	Std Pack Qty
M3 Thread	M4 Thread		
MSCBST-M3-2-01	MSCBST-M4-2-01	3.2	1000
MSCBST-M3-3-01	MSCBST-M4-3-01	4.8	1000
MSCBST-M3-4-01	MSCBST-M4-4-01	6.4	1000
MSCBST-M3-5-01	-	7.9	1000
MSCBST-M3-6-01	-	9.5	1000
MSCBST-M3-7-01	MSCBST-M4-7-01	11.1	1000
MSCBST-M3-8-01	MSCBST-M4-8-01	12.7	1000
MSCBST-M3-9-01	MSCBST-M4-9-01	14.3	1000
-	MSCBST-M4-10-01	15.9	1000

Studded Circuit Board Support, Teardrop

SCBST

Natural UL94 V2 Nylon 6/6

- Secure using a nylon hex nut
- #6-32 Male Thread
- PC board locks securely in place with minimal protrusion
- Snap-lock mounting into a 2.54mm hole in a 1.63mm thick panel



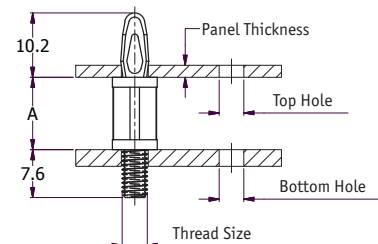
Part Number	"A" Standoff Height (mm)	Std Pack Qty
SCBST-2-01	3.2	1000
SCBST-3-01	4.8	1000
SCBST-4-01	6.4	1000
SCBST-5-01	7.9	1000
SCBST-6-01	9.5	1000
SCBST-7-01	11.1	1000
SCBST-8-01	12.7	1000
SCBST-9-01	14.3	1000
SCBST-10-01	15.9	1000

Threaded Male Circuit Board Support

CBS-TM

Natural Nylon 6/6

- Secure using a nylon hex nut
- Snap-fit mounting into a 4mm hole in a 1.57mm thick panel
- #6-32 Male Thread



Part Number		"A" Standoff Height (mm)	Std Pack Qty
UL94 V2	UL94 V0		
CBS-TM-4-01	CBS-TM-4-19	6.4	1000
CBS-TM-6-01	CBS-TM-6-19	9.5	1000
CBS-TM-8-01	CBS-TM-8-19	12.7	1000
CBS-TM-10-01	CBS-TM-10-19	15.9	1000
CBS-TM-12-01	CBS-TM-12-19	19.1	1000
CBS-TM-14-01	CBS-TM-14-19	22.2	1000
CBS-TM-16-01	CBS-TM-16-19	25.4	1000
CBS-TM-18-01	CBS-TM-18-19	28.6	1000
CBS-TM-20-01	CBS-TM-20-19	31.8	1000
CBS-TM-22-01	CBS-TM-22-19	34.9	1000
CBS-TM-24-01	CBS-TM-24-19	38.1	1000

RELAX – WE HAVE WHAT YOU NEED

▶ Over **35,000** products online
and 1 billion parts in stock

▶ Easy ordering,
by phone or **online**

OVER
1,000
NEW
PRODUCTS



OUR PROMISE TO YOU:

▶ **FREE SAMPLES** – try before you buy

▶ **SMALL PACKS** – available in the quantities you need

▶ **RELIABLE DELIVERY** – same day shipping from stock

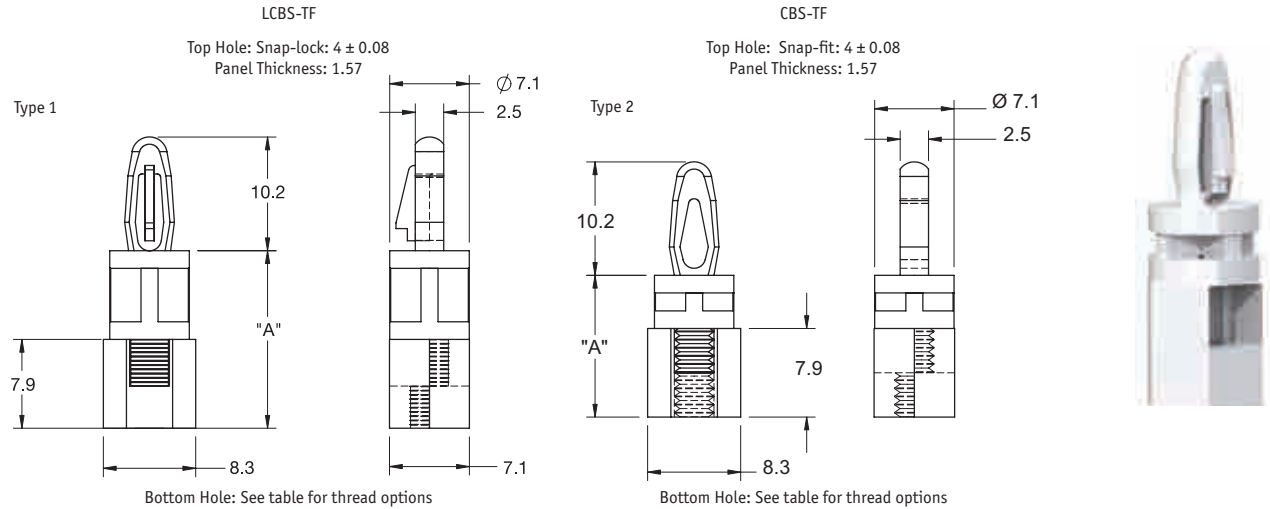


TEL: 0845 758 5070 • FAX: 0845 609 0049
www.essentracomponents.co.uk

Threaded Circuit Board Support

LCBS-TF/CBS-TF

Natural



Part Number						"A" Standoff Height	Std Pack Qty
Type 1			Type 2				
Nylon 6/6, RMS-01	Nylon 6/6 RMS-01	UL94 V0 Nylon 6/6, MS-19	Nylon 6/6, RMS-01	Nylon 6/6, RMS-01	UL94 V0 Nylon 6/6, MS-19		
Thread: #6-32	Thread: M4		Thread: #6-32	Thread: M4			
-	LCBS-TF-M4-6-01	LCBS-TF-M4-6-19	-	CBS-TF-M4-6-01	CBS-TF-M4-6-19	9.5	1000
-	LCBS-TF-M4-8-01	LCBS-TF-M4-8-19	-	CBS-TF-M4-8-01	-	12.7	1000
LCBS-TF-10-01	LCBSTF-M4-10-01	LCBSTF-M4-10-19	-	CBS-TF-M4-10-01	CBS-TF-M4-10-19	15.9	1000
LCBS-TF-12-01	LCBSTF-M4-12-01	LCBSTF-M4-12-19	-	CBS-TF-M4-12-01	-	19.1	1000
LCBS-TF-14-01	LCBSTF-M4-14-01	LCBSTF-M4-14-19	CBS-TF-14-01	CBS-TF-M4-14-01	CBS-TF-M4-14-19	22.2	1000
LCBS-TF-16-01	-	-	CBS-TF-16-01	CBS-TF-M4-16-01	CBS-TF-M4-16-19	25.4	1000

Metric Threaded Circuit Board Support

TCBN

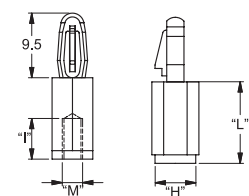
Black, UL94 HB Nylon 6/6, RMS-172

Can't find the size you are looking for? Contact us!

Part Number						"L"	"I"	Std Pack Qty
M3 Thread			M4 Thread					
Panel Thickness = 1.6MM		Panel Thickness = 2MM		Panel Thickness = 1.6MM	Panel Thickness = 2MM			
"H" = 6MM	"H" = 8MM	"H" = 6MM	"H" = 8MM	"H" = 6MM	"H" = 8MM			
TCBN-T1-M3-6-5	TCBN-T1-M3-8-5	-	TCBN-T2-M3-8-5	TCBN-T1-M4-8-5	-	5	3	500
TCBN-T1-M3-6-6	TCBN-T1-M3-8-6	TCBN-T2-M3-6-6	TCBN-T2-M3-8-6	1306295	TCBN-T2-M4-8-6	6	4	500
TCBN-T1-M3-6-7	TCBN-T1-M3-8-7	TCBN-T2-M3-6-7	TCBN-T2-M3-8-7	TCBN-T1-M4-8-7	TCBN-T2-M4-8-7	7	5	500
TCBN-T1-M3-6-8	1306292	TCBN-T2-M3-6-8	TCBN-T2-M3-8-8	TCBN-T1-M4-8-8	TCBN-T2-M4-8-8	8	6	500
TCBN-T1-M3-6-9	TCBN-T1-M3-8-9	TCBN-T2-M3-6-9	TCBN-T2-M3-8-9	TCBN-T1-M4-8-9	-	9	7	500
1306282	TCBN-T1-M3-8-10	TCBN-T2-M3-6-10	-	1306293	TCBN-T2-M4-8-10	10	8	500
TCBN-T1-M3-6-12	TCBN-T1-M3-8-12	TCBN-T2-M3-6-12	TCBN-T2-M3-8-12	552197	TCBN-T2-M4-8-12	12	10	500
1317194	TCBN-T1-M3-8-15	TCBN-T2-M3-6-15	TCBN-T2-M3-8-15	1306294	TCBN-T2-M4-8-15	15	10	500
TCBN-T1-M3-6-18	TCBN-T1-M3-8-18	TCBN-T2-M3-6-18	-	TCBN-T1-M4-8-18	TCBN-T2-M4-8-18	18	10	500
TCBN-T1-M3-6-20	TCBN-T1-M3-8-20	TCBN-T2-M3-6-20	TCBN-T2-M3-8-20	TCBN-T1-M4-8-20	TCBN-T2-M4-8-20	20	10	500
TCBN-T1-M3-6-25	-	TCBN-T2-M3-6-25	TCBN-T2-M3-8-25	TCBN-T1-M4-8-25	TCBN-T2-M4-8-25	25	10	500
TCBN-T1-M3-6-30	TCBN-T1-M3-8-30	TCBN-T2-M3-6-30	TCBN-T2-M3-8-30	1317195	TCBN-T2-M4-8-30	30	10	500
TCBN-T1-M3-6-40	TCBN-T1-M3-8-40	TCBN-T2-M3-6-40	TCBN-T2-M3-8-40	TCBN-T1-M4-8-40	TCBN-T2-M4-8-40	40	10	500
TCBN-T1-M3-6-45	TCBN-T1-M3-8-45	TCBN-T2-M3-6-45	TCBN-T2-M3-8-45	TCBN-T1-M4-8-45	TCBN-T2-M4-8-45	45	10	500
TCBN-T1-M3-6-50	TCBN-T1-M3-8-50	-	TCBN-T2-M3-8-50	TCBN-T1-M4-8-50	TCBN-T2-M4-8-50	50	10	500
TCBN-T1-M3-6-55	TCBN-T1-M3-8-55	TCBN-T2-M3-6-55	TCBN-T2-M3-8-55	-	TCBN-T2-M4-8-55	55	10	500
-	TCBN-T1-M3-8-60	TCBN-T2-M3-6-60	TCBN-T2-M3-8-60	TCBN-T1-M4-8-60	-	60	10	500



Top Hole: Snap-Lock: 4 ± 0.08
Panel Thickness: See Table for Dim.



THREADED AND NON-THREADED SPACERS

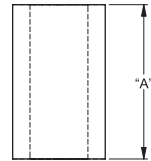
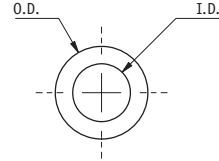
Round Plastic Spacer

SS/SSE

Light Grey, UL94 V0 PVC, RMS-448



Can't find the size you are looking for? Contact us!

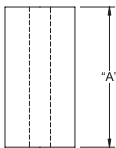
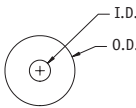


"A" Standoff Height	Part Number										Std Pack Qty
	For M2.5 Screw	For M3 Screw	For M4 Screw	For M4 Screw	For M5 Screw	For M6 Screw	For M9 Screw	-	-	-	
3.2	I.D.= 3 O.D. = 6.4 SS4-3.2MM	I.D.= 3.7 O.D. = 6.4 SS6-3.2MM	I.D.= 4.4 O.D. = 6.4 SS8-3.2MM	I.D.= 4.4 O.D. = 9.5 SS8-3.2MML	I.D.= 5.1 O.D. = 9.5 SS10-3.2MM	I.D.= 6.8 O.D. = 12.7 SS1/4-3.2MM	I.D.= 10.1 O.D. = 12.7 SS3/8-3.2MM	I.D.= 7.5 O.D. = 12 SSE-75120-3.2MM	I.D.= 8 O.D. = 12 SSE-80120-3.2MM	-	1000
4.8	SS4-4.8MM	SS6-4.8MM	SS8-4.8MM	SS8-4.8MML	SS10-4.8MM	SS1/4-4.8MM	SS3/8-4.8MM	SSE-75120-4.8MM	SSE-80120-4.8MM	-	1000
6.4	SS4-2	SS6-2	SS8-2	SS8-2L	SS10-2	SS1/4-2	SS3/8-2	SSE-75120-2	SSE-80120-2	-	1000
7.9	SS4-7.9MM	SS6-7.9MM	SS8-7.9MM	SS8-7.9MML	SS10-7.9MM	SS1/4-7.9MM	SS3/8-7.9MM	SSE-75120-7.9MM	-	-	1000
9.5	SS4-3	SS6-3	SS8-3	SS8-3L	SS10-3	SS1/4-3	SS3/8-3	SSE-75120-3	SSE-80120-3	-	1000
11.1	SS4-11.1MM	SS6-11.1MM	SS8-11.1MM	SS8-11.1MML	SS10-11.1MM	SS1/4-11.1MM	SS3/8-11.1MM	SSE75120-11.1MM	SSE80120-11.1MM	-	1000
12.7	SS4-4	SS6-4	SS8-4	SS8-4L	SS10-4	SS1/4-4	SS3/8-4	SSE-75120-4	SSE-80120-4	-	1000
15.9	SS4-5	SS6-5	SS8-5	SS8-5L	SS10-5	SS1/4-5	SS3/8-5	SSE-75120-5	SSE-80120-5	-	1000
19.1	SS4-6	SS6-6	SS8-6	SS8-6L	SS10-6	SS1/4-6	SS3/8-6	SSE-75120-6	SSE-80120-6	-	1000
25.4	SS4-8	SS6-8	SS8-8	SS8-8L	SS10-8	SS1/4-8	SS3/8-8	SSE-75120-8	SSE-80120-8	-	1000
31.8	-	-	SS8-10	SS8-10L	SS10-10	SS1/4-10	SS3/8-10	SSE-75120-10	SSE-80120-10	-	500
38.1	-	-	SS8-12	SS8-12L	SS10-12	SS1/4-12	SS3/8-12	SSE-75120-12	SSE-80120-12	-	500

Round Plastic Spacer

R900

White, Modified Nylon 6, RMS-60



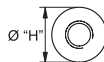
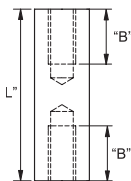
Part Number									Dimensions (mm)			Std Pack Qty
"A" = 1.6	"A" = 3.2	"A" = 4.8	"A" = 6.4	"A" = 7.9	"A" = 9.5	"A" = 11.1	"A" = 12.7	For Screw	I.D.	O.D.		
R901-1	R901-2	R901-3	R901-4	R901-5	R901-6	R901-7	R901-8	-	0.7	2.2	1000	
R938-1	R938-2	R938-3	R938-4	R938-5	R938-6	R938-7	R938-8	-	0.8	2.2	1000	
R902-1	R902-2	-	R902-4	R902-5	R902-6	R902-7	R902-8	-	0.8	3.2	1000	
R939-1	R939-2	R939-3	R939-4	R939-5	R939-6	-	R939-8	-	1.2	3.2	1000	
R903-1	R903-2	-	R903-4	R903-5	R903-6	R903-7	R903-8	-	1.2	4	1000	
R904-1	-	R904-3	R904-4	R904-5	R904-6	R904-7	R904-8	-	1.6	4.8	1000	
R906-1	R906-2	R906-3	R906-4	R906-5	R906-6	R906-7	R906-8	M2	2.2	3.6	1000	
R937-1	R937-2	R937-3	R937-4	R937-5	-	R937-7	R937-8	M2	2.3	3.2	1000	
R913-1	R913-2	R913-3	R913-4	R913-5	R913-6	R913-7	R913-8	M2	2.3	4.8	1000	
-	-	R910-3	-	R910-5	R910-6	-	R910-8	M2	2.3	6.4	1000	
R907-1	R907-2	R907-3	R907-4	R907-5	R907-6	R907-7	R907-8	M2.5	2.7	4.2	1000	
R908-1	R908-2	R908-3	R908-4	R908-5	R908-6	R908-7	R908-8	M3	3.2	4.8	1000	
R911-1	R911-2	R911-3	R911-4	R911-5	R911-6	R911-7	R911-8	M3	3.2	6.4	1000	
R905-1	R905-2	R905-3	R905-4	R905-5	R905-6	R905-7	R905-8	M3.5	3.7	6.4	1000	
R912-1	R912-2	R912-3	R912-4	R912-5	R912-6	R912-7	R912-8	M4	4.3	6.4	1000	

Round Threaded Standoff

RTSN

Black, Nylon 6 25% Glass Filled, RMS-173

Can't find the size you are looking for? Contact us!



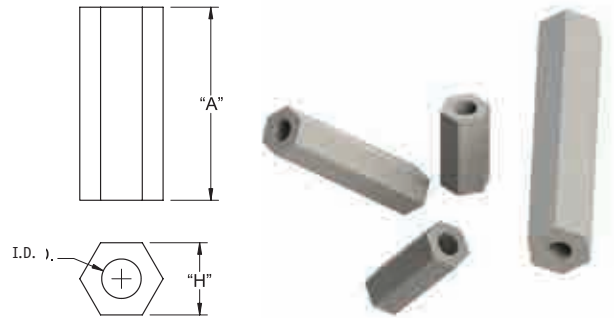
Part Number			Dimensions (mm)		Std Pack Qty
Thread M3		Thread M4	"L"	"B"	
"H" = 6	"H" = 7	"H" = 7			
RTSN-M3-5-6-1	RTSN-M3-5-7-1	RTSN-M4-5-7-1	5	Through	500
RTSN-M3-8-6-1	RTSN-M3-8-7-1	RTSN-M4-8-7-1	8	Through	500
RTSN-M3-10-6-1	RTSN-M3-10-7-1	RTSN-M4-10-7-1	10	Through	500
RTSN-M3-12-6-1	RTSN-M3-12-7-1	RTSN-M4-12-7-1	12	Through	500
RTSN-M3-15-6-1	RTSN-M3-15-7-1	RTSN-M4-15-7-1	15	Through	500
RTSN-M3-18-6-1	RTSN-M3-18-7-1	RTSN-M4-18-7-1	18	10 Min	500
RTSN-M3-20-6-1	RTSN-M3-20-7-1	RTSN-M4-20-7-1	20	10 Min	500
RTSN-M3-25-6-1	-	RTSN-M4-25-7-1	25	10 Min	500
RTSN-M3-30-6-1	RTSN-M3-30-7-1	RTSN-M4-30-7-1	30	10 Min	500
RTSN-M3-35-6-1	RTSN-M3-35-7-1	RTSN-M4-35-7-1	35	10 Min	500
RTSN-M3-40-6-1	RTSN-M3-40-7-1	RTSN-M4-40-7-1	40	10 Min	500

Hex Plastic Spacers

HS

Light Gray, UL94 V0 PVC, RMS-448

Part Number			"A" Standoff Height	Std Pack Qty
For #4 Self Tapping Screw	For #6 Self Tapping Screw	For #8 Self Tapping Screw		
"I.D." = 2.6 "H" = 4.8	"I.D." = 2.8 "H" = 6.4	"I.D." = 3.6 "H" = 9.5		
HS-4-3	HS-6-3	-	9.5	1000
HS-4-4	HS-6-4	-	12.7	1000
HS-4-5	HS-6-5	HS-8-5	15.9	1000
HS-4-6	HS-6-6	HS-8-6	19.1	1000
HS-4-7	HS-6-7	HS-8-7	22.2	1000
HS-4-8	HS-6-8	HS-8-8	25.4	1000
HS-4-10	HS-6-10	HS-8-10	31.8	500
HS-4-12	-	HS-8-12	38.1	500
HS-4-14	HS-6-14	HS-8-14	44.5	500
-	HS-6-16	HS-8-16	50.8	500
HS-4-24	-	HS-8-24	76.2	500



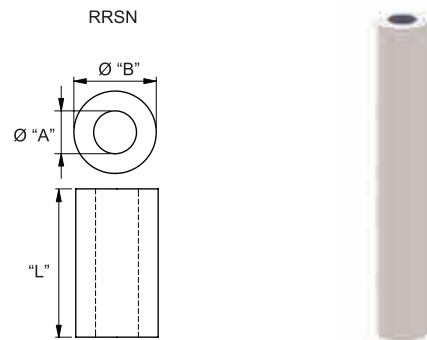
Round Plastic Spacers

RRSN

White, Polystyrene, RMS-163

Black, UL94 HB Nylon 6 25% Glass Filled RMS-173

Can't find the size you are looking for? Contact us!



Part Number (White)								Dimensions (mm)	Std Pack Qty
A = 2.7 B = 5	A = 3.2 B = 6	A = 3.5 B = 6	A = 4.2 B = 8	A = 4.5 B = 7	A = 5.2 B = 10	A = 6.2 B = 10	A = 8.2 B = 10		
RRSN-2750-02	RRSN-3260-02	RRSN-3460-02	RRSN-4280-02	RRSN-4570-02	RRSN-52100-02	RRSN-62100-02	RRSN-82100-02	2	500
1306283	RRSN-3260-03	RRSN-3460-03	RRSN-4280-03	-	RRSN-52100-03	RRSN-62100-03	RRSN-82100-03	3	500
1306284	RRSN-3260-05	1306286	1306287	RRSN-4570-05	RRSN-52100-05	RRSN-62100-05	RRSN-82100-05	5	500
RRSN-2750-08	RRSN-3260-08	RRSN-3460-08	1306289	RRSN-4570-08	RRSN-52100-08	RRSN-62100-08	RRSN-82100-08	8	500
RRSN-2750-10	RRSN-3260-10	RRSN-3460-10	1306290	RRSN-4570-10	RRSN-52100-10	RRSN-62100-10	RRSN-82100-10	10	500
RRSN-2750-12	RRSN-3260-12	RRSN-3460-12	RRSN-4280-12	RRSN-4570-12	RRSN-52100-12	RRSN-62100-12	RRSN-82100-12	12	500
RRSN-2750-15	RRSN-3260-15	RRSN-3460-15	RRSN-4280-15	RRSN-4570-15	RRSN-52100-15	RRSN-62100-15	RRSN-82100-15	15	500
RRSN-2750-18	RRSN-3260-18	RRSN-3460-18	RRSN-4280-18	RRSN-4570-18	RRSN-52100-18	RRSN-62100-18	RRSN-82100-18	18	500
-	RRSN-3260-20	-	RRSN-4280-20	RRSN-4570-20	RRSN-52100-20	RRSN-62100-20	RRSN-82100-20	20	500
-	RRSN-3260-25	RRSN-3460-25	RRSN-4280-25	RRSN-4570-25	RRSN-52100-25	RRSN-62100-25	RRSN-82100-25	25	500
-	RRSN-3260-30	RRSN-3460-30	RRSN-4280-30	RRSN-4570-30	RRSN-52100-30	1306291	RRSN-82100-30	30	500
-	-	-	RRSN-4280-35	-	RRSN-52100-35	RRSN-62100-35	RRSN-82100-35	35	500
-	-	-	-	-	-	RRSN-62100-40	RRSN-82100-40	40	500

Part Number (Black)								Dimensions (mm)	Std Pack Qty
A = 2.7 B = 5	A = 3.2 B = 6	A = 3.5 B = 6	A = 4.2 B = 8	A = 4.5 B = 7	A = 5.2 B = 10	A = 6.2 B = 10	A = 8.2 B = 10		
RRSN-2750-02-GF	RRSN-3260-02-GF	RRSN-3460-02-GF	RRSN-4280-02-GF	RRSN-4570-02-GF	RRSN-52100-02GF	RRSN-62100-02GF	RRSN-82100-02GF	2	500
552221	1306285	1306288	RRSN-4280-03-GF	RRSN-4570-03-GF	RRSN-52100-03GF	RRSN-62100-03GF	RRSN-82100-03GF	3	500
RRSN-2750-05-GF	RRSN-3260-05-GF	RRSN-3460-05-GF	1306288	RRSN-4570-05-GF	RRSN-52100-05GF	RRSN-62100-05GF	RRSN-82100-05GF	5	500
-	RRSN-3260-08-GF	RRSN-3460-08-GF	RRSN-4280-08-GF	RRSN-4570-08-GF	RRSN-52100-08GF	RRSN-62100-08GF	RRSN-82100-08GF	8	500
RRSN-2750-10-GF	RRSN-3260-10-GF	RRSN-3460-10-GF	552219	RRSN-4570-10-GF	RRSN-52100-10GF	RRSN-62100-10GF	RRSN-82100-10GF	10	500
RRSN-2750-12-GF	RRSN-3260-12-GF	552218	RRSN-4280-12-GF	RRSN-4570-12-GF	RRSN-52100-12GF	RRSN-62100-12GF	RRSN-82100-12GF	12	500
RRSN-2750-15-GF	RRSN-3260-15-GF	RRSN-3460-15-GF	RRSN-4280-15-GF	RRSN-4570-15-GF	RRSN-52100-15GF	RRSN-62100-15GF	RRSN-82100-15GF	15	500
RRSN-2750-18-GF	RRSN-3260-18-GF	RRSN-3460-18-GF	RRSN-4280-18-GF	RRSN-4570-18-GF	RRSN-52100-18GF	RRSN-62100-18GF	RRSN-82100-18GF	18	500
-	RRSN-3260-20-GF	RRSN-3460-20-GF	RRSN-4280-20-GF	RRSN-4570-20-GF	RRSN-52100-20GF	RRSN-62100-20GF	RRSN-82100-20GF	20	500
-	RRSN-3260-25-GF	RRSN-3460-25-GF	RRSN-4280-25-GF	-	RRSN-52100-25GF	RRSN-62100-25GF	RRSN-82100-25GF	25	500
-	RRSN-3260-30-GF	RRSN-3460-30-GF	RRSN-4280-30-GF	RRSN-4570-30-GF	RRSN-52100-30GF	RRSN-62100-30GF	RRSN-82100-30GF	30	500
-	-	-	RRSN-4280-35-GF	RRSN-4570-35-GF	RRSN-52100-35-GF	RRSN-62100-35GF	-	35	500
-	-	-	-	-	-	RRSN-62100-40GF	RRSN-82100-40GF	40	500

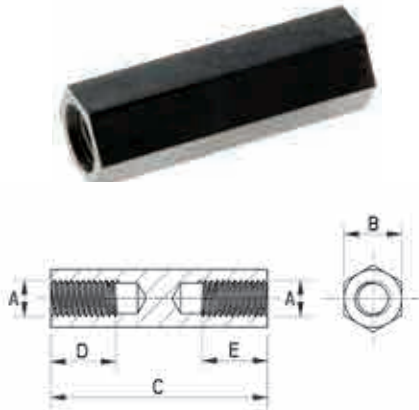
THREADED AND NON-THREADED SPACERS

Hexagonal F/F spacer

SR 6437

PPS Black

- Suitable for any application
- Resistance up to 200°C
- Thread hole in M2.5, M3, M4 and M5 dimensions



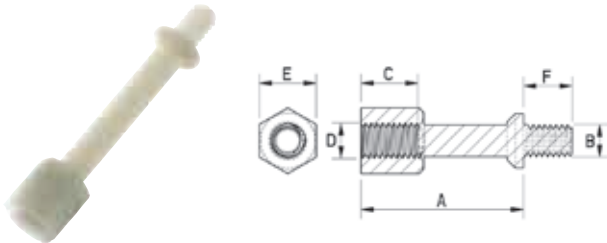
Part Number	Dimensions					Std Pack Qty
	A	B	C	D	E	
301205059934	M2.5	5	5	2.5	2.5	1000
301208059934	M2.5	5	8	4	4	1000
301210059934	M2.5	5	10	5	5	1000
301212059934	M2.5	5	12	6	6	1000
301215059934	M2.5	5	15	7.5	7.5	1000
301220059934	M2.5	5	20	8	8	1000
301225059934	M2.5	5	25	8	8	1000
301308059934	M3	5	8	4	4	1000
301310059934	M3	5	10	5	5	1000
301312059934	M3	5	12	6	6	1000
301315059934	M3	5	15	7.5	7.5	1000
301320059934	M3	5	20	10	10	1000
301325059934	M3	5	25	12.5	12.5	1000
301408059934	M4	7	8	4	4	1000
301410059934	M4	7	10	5	5	1000
301412059934	M4	7	12	6	6	1000
301415059934	M4	7	15	7.5	7.5	1000
301420059934	M4	7	20	10	10	1000
301425059934	M4	7	25	12.5	12.5	1000
301510059934	M5	8	10	5	5	1000
301512059934	M5	8	12	6	6	1000
301515059934	M5	8	15	7.5	7.5	1000
301520059934	M5	8	20	10	10	1000
301525059934	M5	8	25	10	10	1000

M/F Threaded Spacer

SR 6430

Natural nylon-6 (PA-6) and 30% glass fibre

- May be combined with SR 6429
- Applicable for stacking PC boards

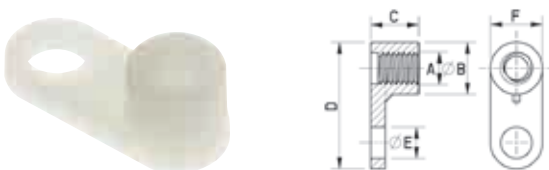


Part Number	Dimensions						Std Pack Qty
	A	B	C	D	E	F	
138005000016	10	M3	5.5	M3	5.5	5	1000
138006000016	15	M3	5.5	M3	5.5	5	1000
138007000016	20	M3	5.5	M3	5.5	5	1000
138008000016	25	M3	5.5	M3	5.5	5	1000
138009000016	30	M3	5.5	M3	5.5	5	1000
138010000016	10	M4	6.5	M4	7	6	1000
138015000016	15	M4	6.5	M4	7	6	1000
138020000016	20	M4	6.5	M4	7	6	1000
138025000016	25	M4	6.5	M4	7	6	1000
138030000016	30	M4	6.5	M4	7	6	1000

Pre-mounting Foot

SR 6429

Natural nylon-6 (PA-6) and 30% glass fibre



Part Number	Dimensions						Std Pack Qty
	A	B	C	D	E	F	
139003000016	M3	7	6.5	17	4	7	1000
139004000016	M4	7	6.5	17	4	7	1000

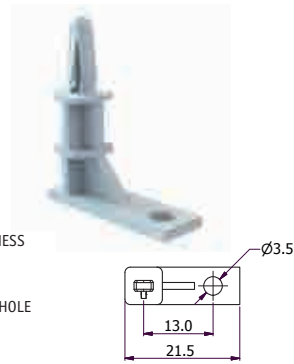
Screw Mount Locking Circuit Board Support

LCBS-L

Natural, UL94 V-2 Nylon 6/6

- Installed with an M3 screw or rivet
- Offset style allows dense packaging
- Top hole mounts into a 3.2mm hole in a 1.57mm thick panel

Part Number	"A" Standoff Height (mm)	Std Pack Qty
LCBS-L-5-01	7.6	1000
LCBS-L-6-01	9.5	1000
LCBS-L-7-01	11.1	1000
LCBS-L-8-01	12.7	1000
LCBS-L-9-01	14.3	1000
LCBS-L-10-01	15.9	1000



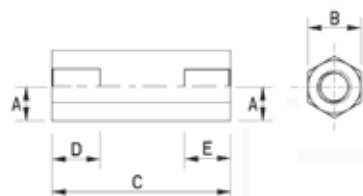
PEEK Hexagonal F/F Spacer

SR6436

PEEK

Colour: Light Brown

- Heat resistant up to 180°C
- Excellent mechanical strength and stiffness
- Excellent resistance to alternating tensile and bending loads
- Excellent dimensional stability
- Flame resistance: UL94 V0



Part number	Dimensions					Std Pack Qty
	A	B	C	D	E	
186304070409	M3	6	4	2	2	10
186305070409	M3	6	5	2.5	2.5	10
186306070409	M3	6	6	3	3	10
186308070409	M3	6	8	4	4	10
186301070409	M3	6	10	5	5	10
186301270409	M3	6	12	6	6	10
186301570409	M3	6	15	7.5	7.5	10
186301870409	M3	6	18	9	9	10
186302070409	M3	6	20	10	10	10
186302570409	M3	6	25	10	10	10
186303070409	M3	6	30	10	10	10
186405070409	M4	7	5	2.5	7.5	10
186406070409	M4	7	6	3	3	10
186408070409	M4	7	8	4	4	10
186401070409	M4	7	10	5	5	10
186401270409	M4	7	12	6	6	10
186401570409	M4	7	15	7.5	7.5	10

Part number	Dimensions					Std Pack Qty
	A	B	C	D	E	
186401870409	M4	7	18	9	9	10
186402070409	M4	7	20	10	10	10
186402570409	M4	7	25	10	10	10
186403070409	M4	7	30	10	10	10
186403570409	M4	7	35	10	10	10
186506070409	M5	8	6	3	3	10
186508070409	M5	8	8	4	4	10
186501070409	M5	8	10	5	5	10
186501270409	M5	8	12	6	6	10
186501570409	M5	8	15	7.5	7.5	10
186501870409	M5	8	18	9	9	10
186502070409	M5	8	20	10	10	10
186502570409	M5	8	25	10	10	10
186503070409	M5	8	30	10	10	10
186503570409	M5	8	35	10	10	10
186504070409	M5	8	40	10	10	10

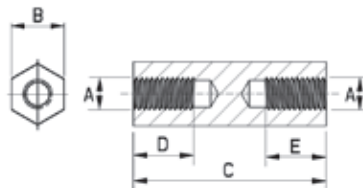
Nylon Hex FF spacer

SR6435

Natural Nylon

- For use in electronic appliances

Part number	Dimensions					Std Pack Qty
	A	B	C	D	E	
303010000002	M3	5.7	6	3	3	1000
303020000002	M3	5.7	8	4	4	1000
303030000002	M3	5.7	10	5	5	1000
303040000002	M3	5.7	12.7	6	6	1000
303050000002	M3	5.7	15	7.5	7.5	1000
303060000002	M3	5.7	18	9	9	1000
303070000002	M3	5.7	20	10	10	1000
303080000002	M3	5.7	22	10	10	1000
303090000002	M3	5.7	25	10	10	1000
303100000002	M3	5.7	30	10	10	1000



THREADED AND NON-THREADED SPACERS

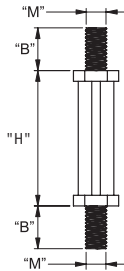
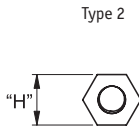
Hex Threaded Standoff

HTSN-2\HNSM-2\HTSN-3

Black, Nylon 6/6, RMS-172



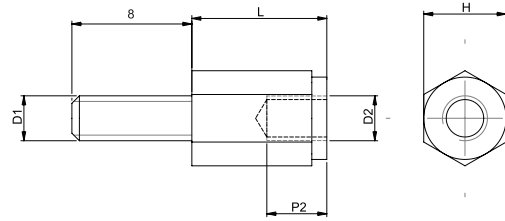
Can't find the size you are looking for? Contact us!



Type 2 Male/Male

Part Number	Thread "M"	Dimensions (mm)			Std Pack Qty
		"L"	"H"	"B"	
HTSN-M2.5-5-3	M2.5	5	5	6	500
HTSN-M2.5-10-3	M2.5	10	5	6	500
HTSN-M2.5-12-3	M2.5	12	5	6	500
HTSN-M2.5-15-3	M2.5	15	5	6	500
HTSN-M2.5-18-3	M2.5	18	5	6	500
HTSN-M2.5-20-3	M2.5	20	5	6	500
HTSN-M2.5-25-3	M2.5	25	5	6	500
HTSN-M3-5-3	M3	5	6	6	500
HTSN-M3-8-3	M3	8	6	6	500
HTSN-M3-10-3	M3	10	6	6	500
HTSN-M3-12-3	M3	12	6	6	500
HTSN-M3-15-3	M3	15	6	6	500
HTSN-M3-18-3	M3	18	6	6	500
HTSN-M3-20-3	M3	20	6	6	500
HTSN-M3-25-3	M3	25	6	6	500
HTSN-M3-30-3	M3	30	6	6	500
HTSN-M3-35-3	M3	35	6	6	500
HTSN-M4-5-3	M4	5	6	6.4	500
HTSN-M4-8-3	M4	8	6	6.4	500
HTSN-M4-12-3	M4	12	6	6.4	500
HTSN-M4-15-3	M4	15	6	6.4	500
HTSN-M4-18-3	M4	18	6	6.4	500
HTSN-M4-20-3	M4	20	6	6.4	500
HTSN-M4-25-3	M4	25	6	6.4	500
HTSN-M4-30-3	M4	30	6	6.4	500
HTSN-M4-35-3	M4	35	6	6.4	500
HTSN-M4-40-3	M4	40	6	6.4	500

Type 1



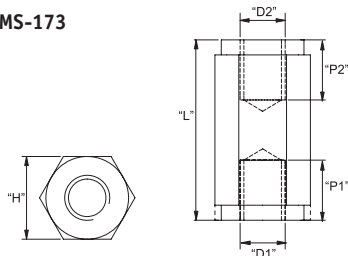
Type 1 Female/Male

Part Number	Thread "D1 & D2"	Dimensions (mm)			Std Pack Qty
		"L"	"H"	"P2"	
HNSM2.5-5-5-2	M2.5	5	5	3	500
1317188	M2.5	8	5	5	500
HNSM2.5-10-5-2	M2.5	10	5	8	500
HNSM2.5-12-5-2	M2.5	12	5	9	500
HNSM2.5-15-5-2	M2.5	15	5	10	500
HNSM2.5-18-5-2	M2.5	18	5	10	500
HNSM2.5-20-5-2	M2.5	20	5	10	500
HNSM2.5-25-5-2	M2.5	25	5	10	500
HTSN-M3-5-5-5-2	M3	5	5.5	3	500
HTSN-M3-8-5-5-2	M3	8	5.5	5	500
HNSM3-10-5-5-2	M3	10	5.5	8	500
HNSM3-12-5-5-2	M3	12	5.5	9	500
HNSM3-15-5-5-2	M3	15	5.5	10	500
HNSM3-18-5-5-2	M3	18	5.5	10	500
HNSM3-20-5-5-2	M3	20	5.5	10	500
HNSM3-25-5-5-2	M3	25	5.5	10	500
HNSM3-30-5-5-2	M3	30	5.5	10	500
HNSM3-35-5-5-2	M3	35	5.5	10	500
HTSN-M3-5-6-2	M3	5	6	3	500
552198	M3	8	6	5	500
552191	M3	10	6	8	500
552201	M3	12	6	9	500
552211	M3	15	6	10	500
1317189	M3	18	6	10	500
552214	M3	20	6	10	500
HTSN-M3-25-6-2	M3	25	6	10	500
1317190	M3	30	6	10	500
HTSN-M3-35-6-2	M3	35	6	10	500
HTSN-M3-8-8-2	M3	8	8	5	500
HTSN-M3-10-8-2	M3	10	8	8	500
HTSN-M3-12-8-2	M3	12	8	9	500
HTSN-M3-15-8-2	M3	15	8	10	500
HTSN-M3-20-8-2	M3	20	8	10	500
HTSN-M3-25-8-2	M3	25	8	10	500
HTSN-M3-30-8-2	M3	30	8	10	500
HTSN-M3-35-8-2	M3	35	8	10	500
HTSN-M4-5-8-2	M4	5	8	3	500
1306280	M4	8	8	5	500
552192	M4	10	8	8	500
552209	M4	12	8	9	500
552199	M4	15	8	10	500
HTSN-M4-18-8-2	M4	18	8	10	500
1306279	M4	20	8	10	500
552195	M4	25	8	10	500
552194	M4	30	8	10	500
1317191	M4	35	8	10	500
522210	M4	40	8	10	500
1306281	M5	10	10	8	500
HTSN-M5-12-10-2	M5	12	10	9	500
HTSN-M5-15-10-2	M5	15	10	10	500
HTSN-M5-18-10-2	M5	18	10	10	500
HTSN-M5-20-10-2	M5	20	10	10	500
HTSN-M5-25-10-2	M5	25	10	10	500
HTSN-M5-30-10-2	M5	30	10	10	500
HTSN-M5-35-10-2	M5	35	10	10	500
1317192	M5	40	10	10	500

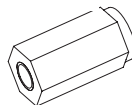
Hex Threaded Standoff Female/Female

HTSN-1/HNSM-1

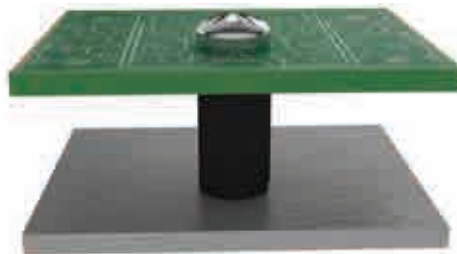
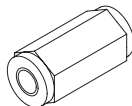
Black, Nylon 6 25% Glass Filled, RMS-173



Type 1



Type 2



Part Number	Thread	Dimensions (mm)			Type	Std Pack Qty
		"L"	"H"	"P1"/"P2"		
HTSN-M2-5-5-1	M2	5	5	Through	2	500
HTSN-M2-8-5-1	M2	8	5	Through	2	500
HTSN-M2-10-5-1	M2	10	5	Through	2	500
HTSN-M2-12-5-1	M2	12	5	10	2	500
HTSN-M2-15-5-1	M2	15	5	10	2	500
HTSN-M2-18-5-1	M2	18	5	10	2	500
HTSN-M2-20-5-1	M2	20	5	10	2	500
HTSN-M2.5-5-5-1	M2.5	5	5	Through	2	500
HTSN-M2.5-8-5-1	M2.5	8	5	Through	2	500
552200	M2.5	10	5	Through	2	500
552215	M2.5	12	5	10	2	500
HNSM2.5-15-5-1	M2.5	15	5	10	2	500
HNSM2.5-18-5-1	M2.5	18	5	10	2	500
HNSM2.5-20-5-1	M2.5	20	5	10	2	500
552222	M2.5	25	5	10	2	500
HTSN-M3-5-5-5-1	M3	5	5.5	Through	1	500
HTSN-M3-8-5-5-1	M3	8	5.5	Through	1	500
HNSM3-10-5-5-1	M3	10	5.5	Through	1	500
HNSM3-12-5-5-1	M3	12	5.5	10	1	500
HNSM3-15-5-5-1	M3	15	5.5	10	1	500
HNSM3-18-5-5-1	M3	18	5.5	10	1	500
HNSM3-20-5-5-1	M3	20	5.5	10	1	500
HNSM3-25-5-5-1	M3	25	5.5	10	1	500
HNSM3-30-5-5-1	M3	30	5.5	10	1	500
HNSM3-35-5-5-1	M3	35	5.5	10	1	500
HTSN-M3-5-6-1	M3	5	6	Through	2	500
HTSN-M3-8-6-1	M3	8	6	Through	2	500
552206	M3	10	6	Through	2	500
552190	M3	12	6	Through	2	500
552196	M3	15	6	Through	2	500
552204	M3	18	6	10	2	500
HTSN-M3-20-6-1	M3	20	6	10	2	500
552216	M3	25	6	10	2	500
HTSN-M3-30-6-1	M3	30	6	10	2	500
HTSN-M3-35-6-1	M3	35	6	10	2	500
HTSN-M3-5-7-1	M3	5	7	Through	2	500
HTSN-M3-10-7-1	M3	10	7	Through	2	500
HTSN-M3-12-7-1	M3	12	7	Through	2	500
HTSN-M3-15-7-1	M3	15	7	Through	2	500
HTSN-M3-18-7-1	M3	18	7	10	2	500
HTSN-M3-20-7-1	M3	20	7	10	2	500

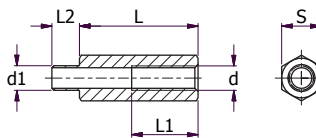
Part Number	Thread	Dimensions (mm)			Type	Std Pack Qty
		"L"	"H"	"P1"/"P2"		
HTSN-M3-25-7-1	M3	25	7	10	2	500
HTSN-M3-30-7-1	M3	30	7	10	2	500
HTSN-M3-5-8-1	M3	5	8	Through	2	500
HTSN-M3-8-8-1	M3	8	8	Through	2	500
HTSN-M3-10-8-1	M3	10	8	Through	2	500
HTSN-M3-12-8-1	M3	12	8	Through	2	500
HTSN-M3-15-8-1	M3	15	8	Through	2	500
HTSN-M3-20-8-1	M3	20	8	10	2	500
HTSN-M3-25-8-1	M3	25	8	10	2	500
HTSN-M3-30-8-1	M3	30	8	10	2	500
HTSN-M3-35-8-1	M3	35	8	10	2	500
HTSN-M4-5-8-1	M4	5	8	Through	2	500
HTSN-M4-8-8-1	M4	8	8	Through	2	500
HTSN-M4-10-8-1	M4	10	8	Through	2	500
HTSN-M4-12-8-1	M4	12	8	Through	2	500
552205	M4	15	8	Through	2	500
HTSN-M4-18-8-1	M4	18	8	Through	2	500
552203	M4	20	8	Through	2	500
HTSN-M4-25-8-1	M4	25	8	10	2	500
552207	M4	30	8	10	2	500
HTSN-M4-35-8-1	M4	35	8	10	2	500
552208	M4	40	8	10	2	500
HTSN-M4-10-10-1	M4	10	10	Through	2	500
HTSN-M4-12-10-1	M4	12	10	Through	2	500
HTSN-M4-15-10-1	M4	15	10	Through	2	500
HTSN-M4-18-10-1	M4	18	10	Through	2	500
HTSN-M4-20-10-1	M4	20	10	Through	2	500
HTSN-M4-25-10-1	M4	25	10	10	2	500
HTSN-M4-30-10-1	M4	30	10	10	2	500
HTSN-M4-35-10-1	M4	35	10	10	2	500
HTSN-M4-40-10-1	M4	40	10	10	2	500
HTSN-M5-10-10-1	M5	10	10	Through	2	500
HTSN-M5-15-10-1	M5	15	10	Through	2	500
HTSN-M5-18-10-1	M5	18	10	Through	2	500
HTSN-M5-20-10-1	M5	20	10	Through	2	500
HTSN-M5-25-10-1	M5	25	10	10	2	500
HTSN-M5-30-10-1	M5	30	10	10	2	500
HTSN-M5-35-10-1	M5	35	10	10	2	500
HTSN-M5-40-10-1	M5	40	10	10	2	500

Soldering Spacer - Male/Female

SR6124

Tin Plated Brass

- Designed to improve and automate fastening of metal spacers on PCB
- Low thermal inertia and tin plated finish
- Perfect electrical connection, suitable for EMC applications
- To be soldered manually or through a soldering wave



Part Number	Dimensions (mm)						Std Pack Qty
	d	S	L	L2	L1	d1	
314310041250	M3	5	10	3.5	6	3.1	100
314315041250	M3	5	15	3.5	8	3.1	100

Metric Hex Low Voltage Insulators

HSM

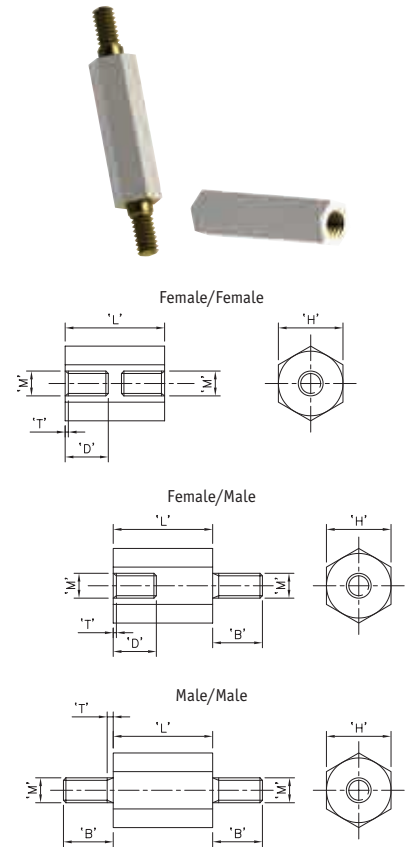
Natural Nylon 6, RMS-133

Insert: Brass, RMS-231

- Voltage breakdown > 11,000 volts/mm

Can't find the size you are looking for? Contact us!

Part Number			"M"	"H"	"B"	"D"	"T"	"L"	Std Pack Qty
Female/Female	Female/Male	Male/Male							
HSM2.5-6.4-15-1	HSM2.5-6.4-15-2	HSM2.5-6.4-15-3	M2.5	6.4	6	6	0.68	15	100
HSM2.5-6.4-20-1	HSM2.5-6.4-20-2	HSM2.5-6.4-20-3	M2.5	6.4	6	6	0.68	20	100
-	HSM2.5-6.4-25-2	HSM2.5-6.4-25-3	M2.5	6.4	6	6	0.68	25	100
HSM3-6.4-15-1	HSM3-6.4-15-2	HSM3-6.4-15-3	M3	6.4	6	6	0.75	15	100
HSM3-6.4-18-1	HSM3-6.4-18-2	HSM3-6.4-18-3	M3	6.4	6	6	0.75	18	100
HSM3-6.4-20-1	HSM3-6.4-20-2	HSM3-6.4-20-3	M3	6.4	6	6	0.75	20	100
HSM3-6.4-25-1	HSM3-6.4-25-2	-	M3	6.4	6	6	0.75	25	100
HSM3-6.4-30-1	HSM3-6.4-30-2	HSM3-6.4-30-3	M3	6.4	6	6	0.75	30	100
HSM3-6.4-40-1	HSM3-6.4-40-2	HSM3-6.4-40-3	M3	6.4	6	6	0.75	40	100
HSM3-6.4-45-1	HSM3-6.4-45-2	-	M3	6.4	6	6	0.75	45	100
HSM4-8-15-1	1336223	1336220	M4	8	6	6	1.05	15	100
HSM4-8-18-1	HSM4-8-18-2	HSM4-8-18-3	M4	8	6	6	1.05	18	100
HSM4-8-20-1	1336219	HSM4-8-20-3	M4	8	6	6	1.05	20	100
HSM4-8-25-1	HSM4-8-25-2	HSM4-8-25-3	M4	8	6	6	1.05	25	100
HSM4-8-30-1	1336221	HSM4-8-30-3	M4	8	6	6	1.05	30	100
HSM4-8-40-1	HSM4-8-40-2	HSM4-8-40-3	M4	8	6	6	1.05	40	100
HSM4-8-45-1	HSM4-8-45-2	-	M4	8	6	6	1.05	45	100
HSM4-8-50-1	HSM4-8-50-2	HSM4-8-50-3	M4	8	6	6	1.05	50	100
-	HSM5-9.5-20-2	HSM5-9.5-20-3	M5	9.5	10	10	1.2	20	100
-	HSM5-9.5-25-2	HSM5-9.5-25-3	M5	9.5	10	10	1.2	25	100
HSM5-9.5-30-1	HSM5-9.5-30-2	-	M5	9.5	10	10	1.2	30	100
HSM5-9.5-40-1	HSM5-9.5-40-2	-	M5	9.5	10	10	1.2	40	100
HSM5-9.5-45-1	HSM5-9.5-45-2	HSM5-9.5-45-3	M5	9.5	10	10	1.2	45	100
HSM5-9.5-50-1	1336222	HSM5-9.5-50-3	M5	9.5	10	10	1.2	50	100
HSM6-12.7-25-1	HSM6-12.7-25-2	HSM6-12.7-25-3	M6	12.7	12.7	12.7	1.5	25	100
HSM6-12.7-30-1	HSM6-12.7-30-2	HSM6-12.7-30-3	M6	12.7	12.7	12.7	1.5	30	100
HSM6-12.7-40-1	HSM6-12.7-40-2	HSM6-12.7-40-3	M6	12.7	12.7	12.7	1.5	40	100
HSM6-12.7-45-1	HSM6-12.7-45-2	HSM6-12.7-45-3	M6	12.7	12.7	12.7	1.5	45	100
HSM6-12.7-50-1	HSM6-12.7-50-2	HSM6-12.7-50-3	M6	12.7	12.7	12.7	1.5	50	100
-	HSM6-12.7-55-2	HSM6-12.7-55-3	M6	12.7	12.7	12.7	1.5	55	100



Metric Micro Low Voltage Insulators

MTNSP

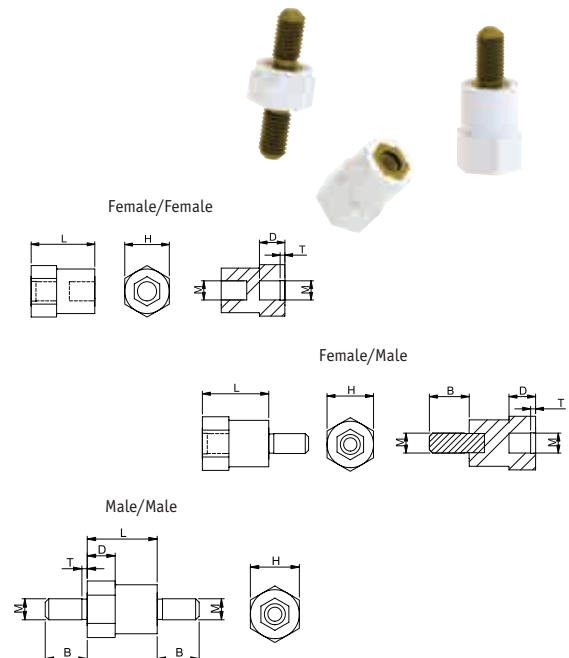
Natural Nylon 6, RMS-133

Insert: Brass, RMS-231

- Voltage breakdown > 11,000 volts/mm

Part Number	Thread Style	"M"	"L"	"H" Body Diameter	"B" Stud Length	"D" Insert Depth	"T"	Std Pack Qty
MTNSP-M2.5-10-1	Female/Female	M2.5	10	6	-	4	0.68	100
MTNSP-M2.5-12-1	Female/Female	M2.5	12	6	-	4	0.68	100
MTNSP-M3-10-1	Female/Female	M3	10	7	-	4	0.75	100
MTNSP-M3-12-1	Female/Female	M3	12	7	-	4	0.75	100
MTNSP-M2.5-8-2	Male/Female	M2.5	8	6	6	4	0.68	100
MTNSP-M2.5-10-2	Male/Female	M2.5	10	6	6	4	0.68	100
MTNSP-M2.5-12-2	Male/Female	M2.5	12	6	6	4	0.68	100
MTNSP-M3-8-2	Male/Female	M3	8	7	6	4	0.75	100
MTNSP-M3-10-2	Male/Female	M3	10	7	6	4	0.75	100
MTNSP-M3-12-2	Male/Female	M3	12	7	6	4	0.75	100
MTNSP-M2.5-8-3	Male/Male	M2.5	8	6	6	-	-	100
MTNSP-M2.5-10-3	Male/Male	M2.5	10	6	6	-	-	100
MTNSP-M2.5-12-3	Male/Male	M2.5	12	6	6	-	-	100
MTNSP-M3-5-3	Male/Male	M3	5	6	6	-	-	100
MTNSP-M3-8-3	Male/Male	M3	8	6	6	-	-	100
MTNSP-M3-10-3	Male/Male	M3	10	6	6	-	-	100
MTNSP-M3-12-3	Male/Male	M3	12	6	6	-	-	100

Unthreaded length: 1.5 pitch max.



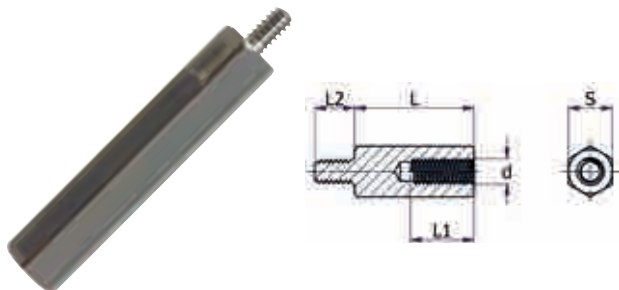
THREADED AND NON-THREADED SPACERS

Hex Spacer - Self Tapping Male/Female

SR6125

Nickel Plated Hardened Steel - Brass coloured

- Excellent electrical conduction
- No closing washers or nuts necessary because of self-tapping thread
- Especially suitable for metal sheets, aluminium and plastic



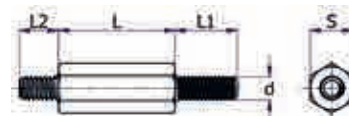
Part Number	Dimensions (mm)						Std Pack Qty
	d	S	L	L2	L1	Hole dia.	
315305140058	M3	6	5	5	3	2.7	100
315308140058	M3	6	8	5	4	2.7	100
315310140058	M3	6	10	5	6	2.7	100
315312140058	M3	6	12	5	8	2.7	100
315315140058	M3	6	15	5	8	2.7	100
315410041058	M4	7	10	8	6	3.6	100
315415041058	M4	7	15	8	8	3.6	100
315420041058	M4	7	20	8	8	3.6	100
315425041058	M4	7	25	10	10	3.6	50
315430041058	M4	7	30	10	10	3.6	50

Hex Spacer - Self Tapping Male/Male

SR6126

Zinc Plated Hardened Steel

- No closing washers or nuts necessary because of self-tapping thread
- Especially suitable for metal sheets, aluminium and plastic
- Hole diameter 2.70 mm (+0.00/- 0.05)



Part Number	Dimensions (mm)						Std Pack Qty
	d	S	L	L1	L2		
316305140058	M3	6	5	5	8	100	
316308140058	M3	6	8	5	8	100	
316310140058	M3	6	10	5	8	100	
316312140058	M3	6	12	5	8	100	
316315140058	M3	6	15	5	8	100	

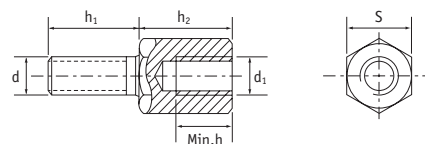


Hex Spacer - Sub-D

SR 2703

Nickel Plated Brass/Zinc Plated Steel/Stainless Steel

- Screw-in design
- Used for attaching sub-D Connectors



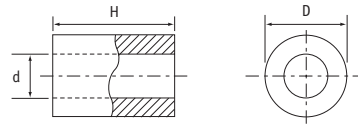
Part Number			Dimensions (mm)							Std Pack Qty
Nickel Plated Brass	Zinc Plated Steel	Stainless Steel	d	d1	S	h1	Min.h	h2		
308104040050	308104041152	308104041556	4 NC	4 NC	5	6	3	5	100	
308204040050	308204041152	308204041556	4 NC	4 NC	5	8	3	5	100	
308304040050	308304041152	-	4 NC	4 NC	5	12	3	5	100	
308103040050	308103041152	-	4 NC	M3	5	6	3	5	100	
308203040050	308203041152	308203041556	4 NC	M3	5	8	3	5	100	
308102040050	308102041152	308102041556	M3	4 NC	5	6	3	5	100	
308202040050	308202041152	308202041556	M3	4 NC	5	8	3	5	100	
308302040050	308302041152	-	M3	4 NC	5	12	3	5	100	
308101040050	308101041152	308101041556	M3	M3	5	6	3	5	100	
308201040050	308201041152	308201041556	M3	M3	5	8	3	5	100	
308301040050	308301041152	-	M3	M3	5	12	3	5	100	

Round Spacer

SR2704

Nickel Plated Brass/Stainless Steel

- A versatile universal assembly element for use in all sectors
- Allows for decorative applications, such as displays, furniture, etc.



Part Number		Dimensions (mm)			Std Pack
Nickel Plated Brass	StainlessSteel	d	D	H	Qty
311220240050	311220240056	2.2	4	2	250
311220340050	-	2.2	4	3	250
311220440050	-	2.2	4	4	250
311220540050	-	2.2	4	5	250
311220640050	-	2.2	4	6	250
311220740050	-	2.2	4	7	250
311220840050	-	2.2	4	8	250
311221040050	-	2.2	4	10	250
311250140050	-	2.5	5	1	250
311250240050	-	2.5	5	2	250
311250340050	-	2.5	5	3	250
311250440050	311250441556	2.5	5	4	250
311250540050	311250541556	2.5	5	5	250
311250640050	311250641556	2.5	5	6	250
311250740050	311250741556	2.5	5	7	250
311250840050	311250841556	2.5	5	8	250
311251040050	-	2.5	5	10	100
311252040050	-	2.5	5	20	100
311320140050	-	3.2	6	1	250
311320240050	-	3.2	6	2	250
311320340050	-	3.2	6	3	250
311320440050	311320441556	3.2	6	4	250
311320540050	311320541556	3.2	6	5	250
311320640050	311320641556	3.2	6	6	250
311320740050	311320741556	3.2	6	7	250
311320840050	311320841556	3.2	6	8	250
311320940050	-	3.2	6	9	100
311321040050	311321041556	3.2	6	10	100
311321240050	-	3.2	6	12	100
311321540050	-	3.2	6	15	100
311322040050	-	3.2	6	20	100
311322540050	-	3.2	6	25	50

Part Number		Dimensions (mm)			Std Pack
Nickel Plated Brass	StainlessSteel	d	D	H	Qty
311323040050	-	3.2	6	30	50
311430240050	-	4.3	8	2	250
311430340050	-	4.3	8	3	250
311430440050	311430441556	4.3	8	4	250
311430540050	311430541556	4.3	8	5	250
311430640050	311430641556	4.3	8	6	100
311430740050	311430741556	4.3	8	7	100
311430840050	311430841556	4.3	8	8	100
311431040050	311431041556	4.3	8	10	100
311431240050	311431241556	4.3	8	12	100
311431540050	-	4.3	8	15	100
311431840050	311431541556	4.3	8	18	100
311432040050	-	4.3	8	20	100
311432540050	-	4.3	8	25	50
311433040050	-	4.3	8	30	50
311433540050	-	4.3	8	35	50
311434040050	-	4.3	8	40	50
311530240050	-	5.3	10	2	100
311530340050	-	5.3	10	3	100
311530440050	-	5.3	10	4	100
311530540050	-	5.3	10	5	100
311530640050	-	5.3	10	6	100
311530740050	-	5.3	10	7	100
311530840050	-	5.3	10	8	100
311531040050	-	5.3	10	10	100
311531240050	-	5.3	10	12	100
311531540050	-	5.3	10	15	100
311531840050	-	5.3	10	18	100
311532040050	-	5.3	10	20	100
311532540050	-	5.3	10	25	50
311533040050	-	5.3	10	30	50
311534040050	-	5.3	10	40	25

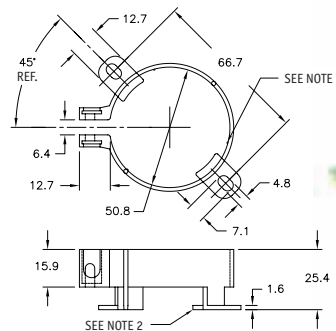
Standing Capacity Holder

SCH/SCHS

Black, Glass-filled Nylon, RMS-18

Optional

- Note 1: Clamping hardware; Screw (S6B) Stainless Steel, RMS-357 ZincPlating, RMS-358; Quick Nut (QN-6) Spring Steel C1050, RMS-327 Coating: Black Phosphate, RMS-356
- Note 2: Spacer to elevate capacitor 2.4 from chassis
- Note 3: Anti-rotation rib (3 locations)



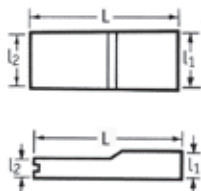
Part Number	Description	Std Pack Qty
SCHS-2	w/spacer, w/o hardware (Note 1)	100
SCH-2	w/o spacer, w/o hardware	100
SCHS-2-H	w/spacer, w/clamping hardware	100
SCH-2-H	w/o spacer, w/clamping hardware	100

Terminal Sleeves - Post-Fit

SR 1771

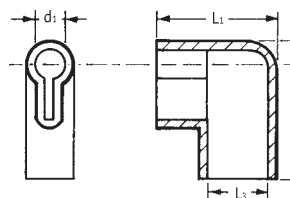
PVC

- Protect wiring terminal
- Widely used in automotive and electrical industries



Post-Fit Straight Type, Clear PVC

Part Number	Terminal Size (mm)	Dimensions (mm)			Std Pack Qty
		l1	L	l2	
10077	6.3	7.8 x 3.2	26.5	6.0 x 1.5	10000



Post-Fit Right-Angled Type, Clear PVC

- This design can be fitted after the terminal is crimped to the wire

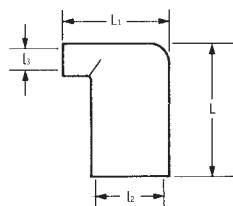
Part Number	Terminal Size (mm)	Dimensions (mm)				Std Pack Qty
		d1	L1	L3	L2	
10100	4.8	4.0	15.0	6.0 x 3.0	15.0	20000
10145	6.3	4.0	16.8	8.5 x 4.0	18.5	10000

Terminal Sleeves - Standard

SR 1771

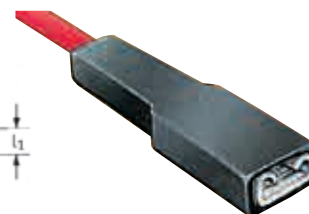
PVC

- Protect wiring terminal



Standard Right-Angled Type, Clear PVC

Part Number	Terminal Size (mm)	Dimensions (mm)				Std Pack Qty
		l3	L	l2	l1	
10262	4.8	4.6 x 2.8	4.6 x 2.8	12.3	6.2 x 2.1	20000
10622	6.3	3.0	16.0	8.3 x 3.1	14.4	20000
10234	9.5	4.3	23.7	12.0 x 4.8	24.0	10000
10623	6.3	4.5	17.0	8.8 x 3.0	14.3	20000



Standard Straight Type, Black or Clear PVC

Clear PVC	Black PVC	Terminal Size (mm)	Dimensions (mm)			Std Pack Qty
			l1	L	l2	
11603	19774	2.8	2.5	19.5	3.7 x 2.5	20000
10973	-	9.5	3.3	32.9	11.0 x 3.2	10000
10631	-	9.5	4.8	33.4	10.3 x 4.0	5000
10490	-	4.8	2.8	25.4	7.4 x 2.0	20000
11049	-	4.8	3.0	19.5	4.8 x 1.7	20000
10229	-	4.8	3.0	29.3	7.5 x 2.0	20000
10789	-	6.3	4.0 x 2.5	26.4	7.7 x 2.3	20000
50760	-	6.3	4.3 x 2.0	26.0	7.5 x 2.0	20000
10626	-	6.3	5.7 x 2.3	27.0	7.6 x 2.3	10000

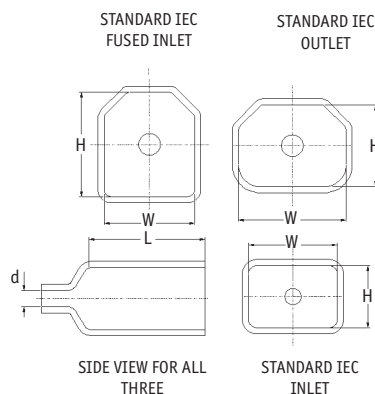
IEC Standard Terminal Insulation Sleeves

SR 1773

Black Flexible PVC

- Protect and insulate rear connection receptacles of IEC standard inlets and outlets
- Flash tested to 3K Volts AC (EN 60950)

Part Number	Description	Dimensions (mm)				Std Pack Qty
		H	W	L	d	
TSWXA-01	Fushed Inlet	31.5	26.5	45.0	6.4	400
TSWXA-03	Standard Inlet	18.2	26.1	33.0	4.8	400

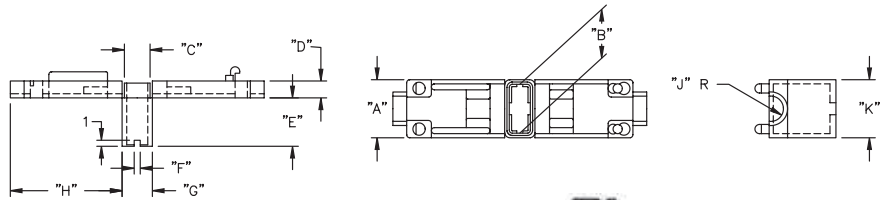
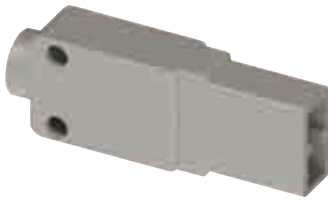


INSULATORS

One Touch Sleeve Insulator

OS

Natural, Nylon 6, RMS-120



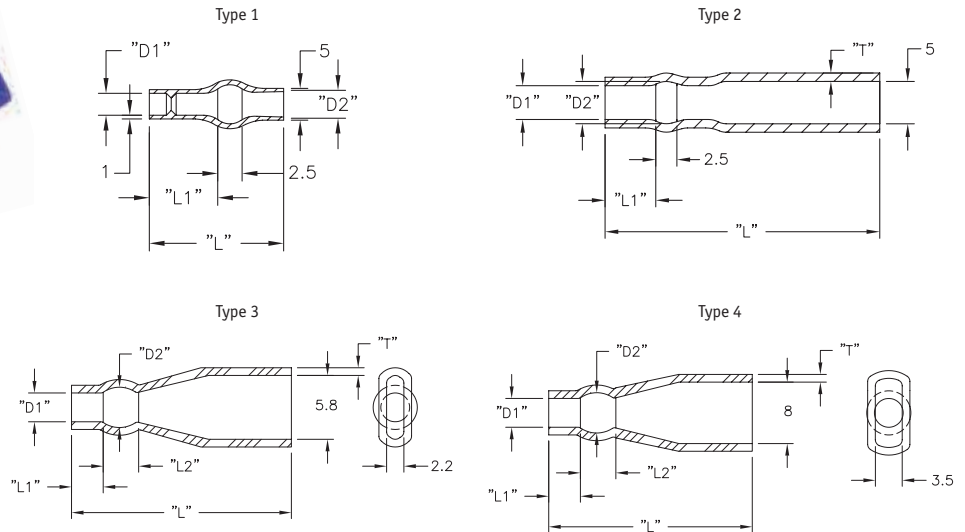
• UL #E55167

Part Number	Terminal Type	Wire Ø	"A"	"B"	"C"	"D"	"E"	"F"	"G"	"H"	"J"	"K"	Std Pack Qty
OS-187	Straight Type 187 Series	3.6	8.8	6.1	2.7	2.6	6.8	1	3.9	15.1	1.8	7.5	500
OS-250	Straight Type 250 Series	3.8	9.8	7.9	3.4	2.8	8	1	4.7	18.5	2.05	9.1	500

Quick Fit Insulator

2xxxxx

Blue, Soft PVC, RMS-55



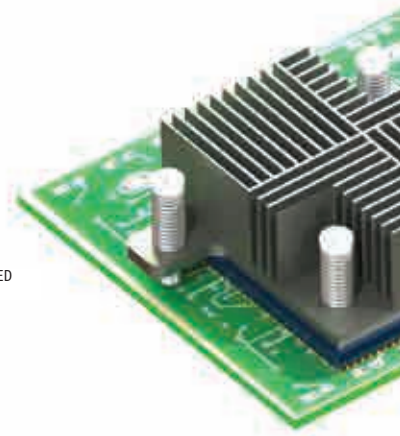
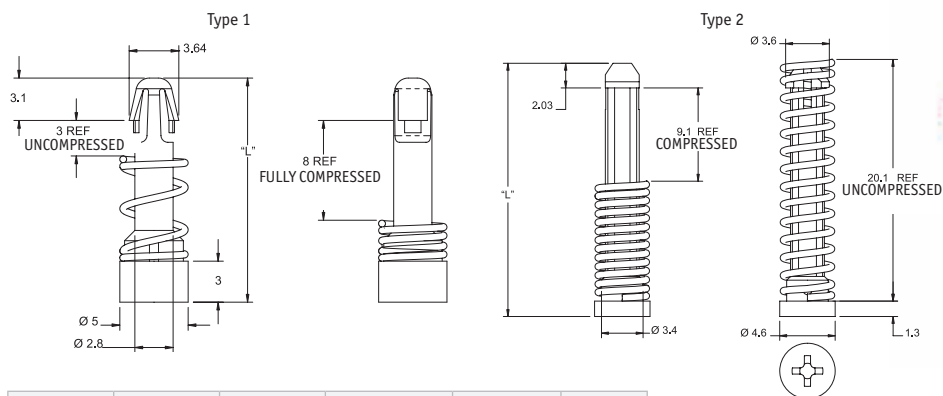
Part Number	Wire O.D. Range	Wire Gauge	"D1"	"D2"	"L1"	"L2"	"L"	"T"	Type	Std Pack Qty
224225	1.47-2.31	22-18	2.5	4.1	6.1	-	13	-	1	1000
224230	1.73-2.87	20-18	3	4.1	6.1	-	13	-	1	1000
215025	1.47-2.31	22-18	2.5	4.1	6.1	-	33	1	2	1000
215032	1.8-3.2	18-16	3.3	4.6	7.1	-	34	1	2	1000
235830	1.5 - 2.3	20-18	3	4	5	2.5	23	0.8	3	1000
235835	1.8 - 3.6	18-14	3.5	4.5	5	3	23	0.8	3	1000
238032	1.8-3.2	18-16	3.3	4.8	5.1	2.5	24.1	1	4	1000
238035	1.8-3.6	18-14	3.6	4.6	5.1	3	24.1	1	4	1000
238040	2.3-3.6	16-14	4.1	5.1	5.1	3	24.6	1	4	1000
238048	2.9-4.8	14-12	4.8	6.3	5.1	2.5	24.9	1	4	1000

Heat Sink Spring Mount Rivet

HSR

Rivet Material: Natural Nylon 6/6, RMS-47

Spring Material: Steel, RMS-326 Chrome Plated RMS-355



Part Number	Type	"L"	Heat Sink Hole	Chassis Hole	Std Pack Qty
HSR-1	1	16.4	3.18	3	1000
HSR-2	2	20.9	3.05	3.1	1000

Ceramic Beads

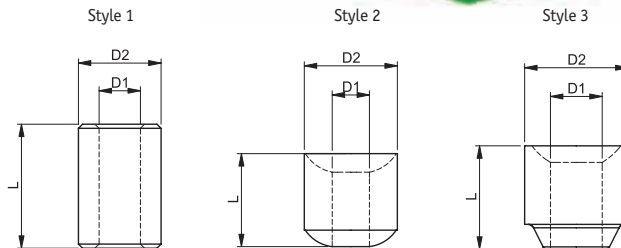
CER

Natural Steatite C220 Ceramic, RMS-170

- Max. operating temperature: 1000°C
- Parts are stackable as seen in application photo



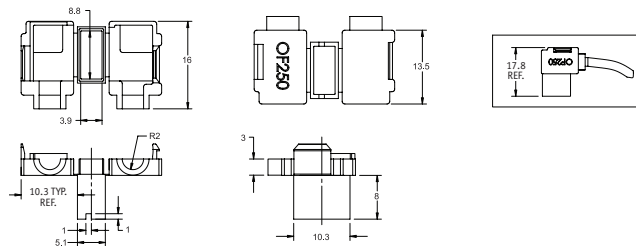
Part Number	"D1"	"D2"	"L"	Style	Std Pack Qty
CER-1	2	4	6	1	1000
CER-2	1.6	4.5	8	1	1000
CER-3	1.6	4.5	10	1	1000
CER-4	1	3	3	2	1000
CER-5	1.8	4.5	4.5	2	1000
CER-6	1	3	5	2	1000
CER-7	2.5	5	5	3	1000



One Touch Sleeve Insulator

OF

Natural Nylon 6, RMS-120



• UL #E55167



Part Number	Terminal Type	Wire Ø	Std Pack Qty
OF-250	Flag Type 250 Series	3.9	500