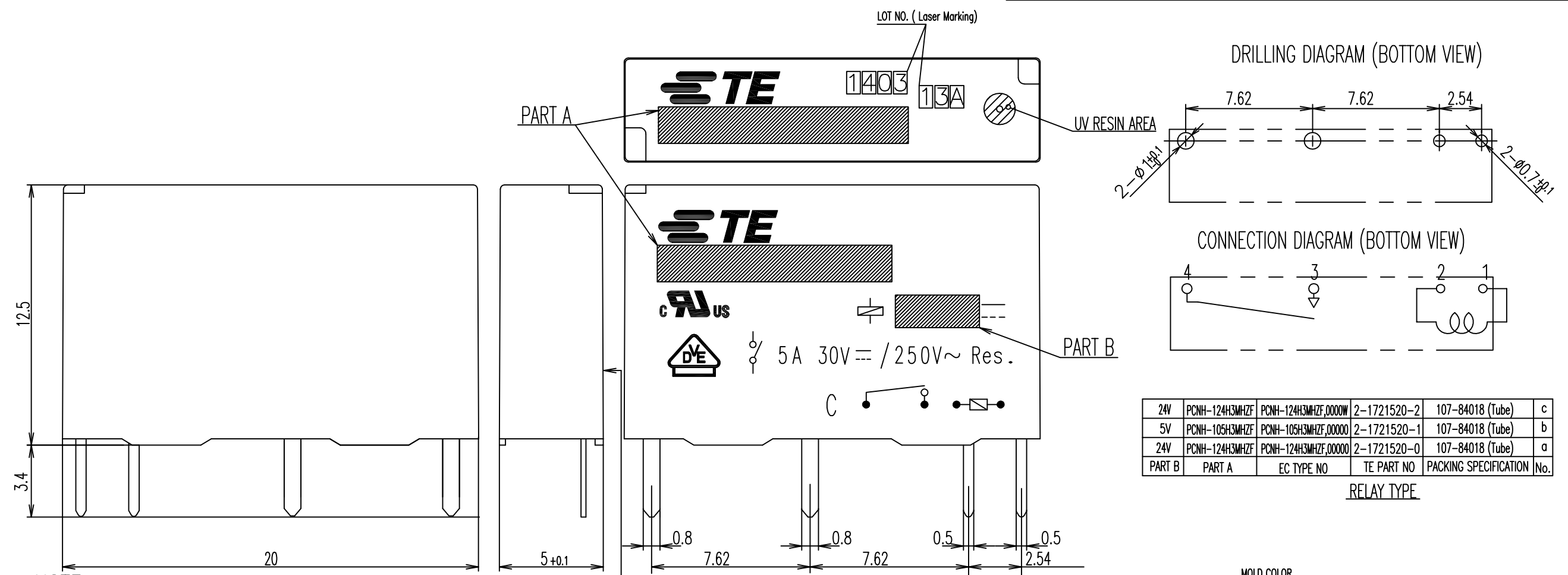


THIS DRAWING IS UNPUBLISHED. RELEASED FOR PUBLICATION  
 © COPYRIGHT - By - ALL RIGHTS RESERVED.

LOC	DIST	REVISIONS					
HB	-	P	LTR	DESCRIPTION	DATE	DWN	APVD
		A		Release	10-JUL-15	FS.HCS.M	



NOTE  
 1. TERMINAL DIMENSION IS AFTER SOLDER DIP  
 2. LOT NO. SYSTEM AS FOLLOWING;  
  
 3. ADD LOT NO. SYSTEM AS FOLLOWING;  
  
 I, DIGITS FOR DAY OF THE WEEK  
 1...MONDAY IN THIS WEEK;  
 2...TUESDAY IN THIS WEEK;  
 .....  
 7...SUNDAY IN THIS WEEK  
 II, DIGITS FOR SHIFT OF THE DAY  
 1...DAY SHIFT IN THIS DAY;  
 2...NIGHT SHIFT IN THIS DAY;  
 III, ONE CHARACTER DISTINGUISH THE LINE  
 IDENTITY, SUCH AS: A,B.....Z  
 4. ALL PRINT USE INK MARKING EXPECT DATE  
 CODE USE LASER MARKING

DIAGRAM DIMENSION	TOLERANCE
0.99mm max	±0.1mm
1 - 2.99mm	±0.2mm
3mm min	±0.3mm

24V	PCNH-124H3MHZF	PCNH-124H3MHZF.0000W	2-1721520-2	107-84018 (Tube)	c
5V	PCNH-105H3MHZF	PCNH-105H3MHZF.00000	2-1721520-1	107-84018 (Tube)	b
24V	PCNH-124H3MHZF	PCNH-124H3MHZF.00000	2-1721520-0	107-84018 (Tube)	a
PART B	PART A	EC TYPE NO	TE PART NO	PACKING SPECIFICATION	No.

MOLD COLOR  
 NATURAL: REINFORCED INSURATION MODEL

94V-0		UV RESIN	UV SEAL	15
		PBT	CASE	14
		EPOXY RESIN	SEAL	13
		UEW	MAGNETIC WIRE	12
94V-0		PBT	CARD	11
	Cu-Ni PLATED	STEEL	ARMATURE	10
		Ag ALLOY	STATIONARY CONTACT	9
	SOLDER DIP	Cu ALLOY	STATIONARY TERMINAL	8
		Ag ALLOY	MOVABLE CONTACT	7
	SOLDER DIP	Cu ALLOY	MOVABLE TERMINAL	6
94V-0		PBT	BASE	5
	Cu-Ni PLATED	STEEL	CORE	4
	SOLDER DIP	Cu ALLOY	COIL TERMINAL B	3
	SOLDER DIP	Cu ALLOY	COIL TERMINAL A	2
94V-0		PBT	BOBBIN	1
INCOMBUSTIBILITY	TREATMENT	MATERIAL	DESCRIPTION	ITEM

THIS DRAWING IS A CONTROLLED DOCUMENT.

DIMENSIONS: mm	TOLERANCES UNLESS OTHERWISE SPECIFIED: 0 PLC ± - 1 PLC ± - 2 PLC ± - 3 PLC ± - 4 PLC ± - ANGLES ± -	DWN Fengsheng Hu CHK Cheng, Shiming APVD Sunny Zhang PRODUCT SPEC APPLICATION SPEC WEIGHT	NAME - PCNH-124H3MHZF Standard Ter. Customer Drawing - SIZE A3 CAGE CODE 00779 DRAWING NO C-1721520 RESTRICTED TO -
MATERIAL -	FINISH -	CUSTOMER DRAWING	SCALE 5:1 SHEET 1 OF 1 REV A