

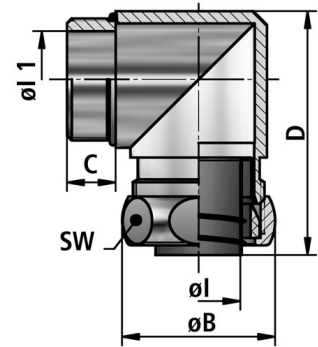
USW-M | metric thread

Metal connector, safety-type, 90° elbow, metric outer thread, incl. ferrule [brass], sealing and O-ring [NBR]

Temperature: -40°C ... +125°C

Material: nickel-plated brass

Protection class [acc. to EN 60529]: IP66



FLEXA No.	OD [mm]	Threadtype	Conduit DI	Conduit OD	Ø I [mm]	Ø B [mm]	C [mm]	D [mm]	WS [mm]	Weight [kg/100]	PU [pcs.]
5010.537.016	14,0	M16 x 1,5	10,0	14,0	9,0	23,0	8,0	36,0	21	3,600	25
5010.537.020	17,0	M20 x 1,5	12,0	17,0	10,5	27,0	8,0	38,0	25	5,900	25
5010.535.025	21,0	M25 x 1,5	16,0	21,0	14,5	31,0	10,0	45,0	29	10,000	25
5010.501.032	27,0	M32 x 1,5	21,0	27,0	19,5	39,0	10,0	57,0	36	13,100	10
5010.537.040	36,0	M40 x 1,5	27,0	36,0	26,0	48,0	10,0	67,0	45	20,700	10
5010.537.050	45,0	M50 x 1,5	36,0	45,0	34,5	57,0	12,0	77,0	54	26,900	10
5010.537.063	56,0	M63 x 1,5	47,0	56,0	45,5	70,0	12,0	84,0	66	32,400	2

Recommendations for any areas of applications, products, or product combinations are issued to the best of FLEXA's knowledge and experience. The user is requested to check applicability of FLEXA products to specific applications and purposes prior to the use of the particular products. All documentation, illustrations, and charts published are subject to copyright and must not be copied, changed, used, or modified. Technical drawings, certificates, authorizations, and results by the FLEXA lab will be provided upon request. FLEXA will not be held liable for typographical or other errors and incorrect drawings. Technical modifications are subject to change without prior notice.