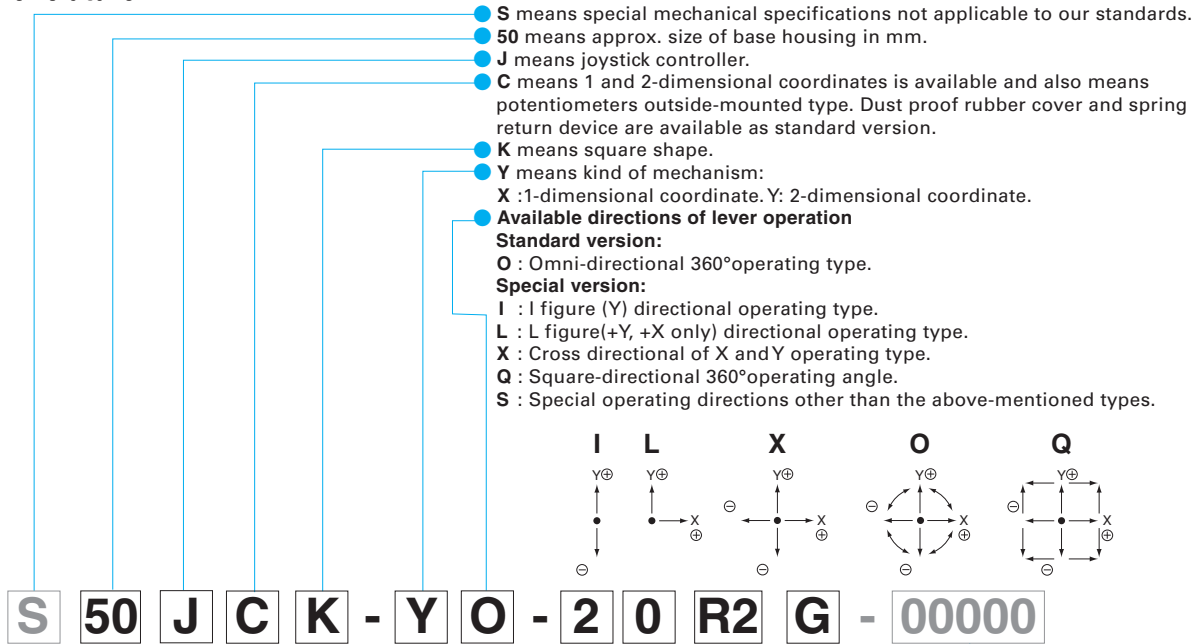


50JC

● Potentiometer outside-mounted type ● With conductive plastic element

Nomenclature



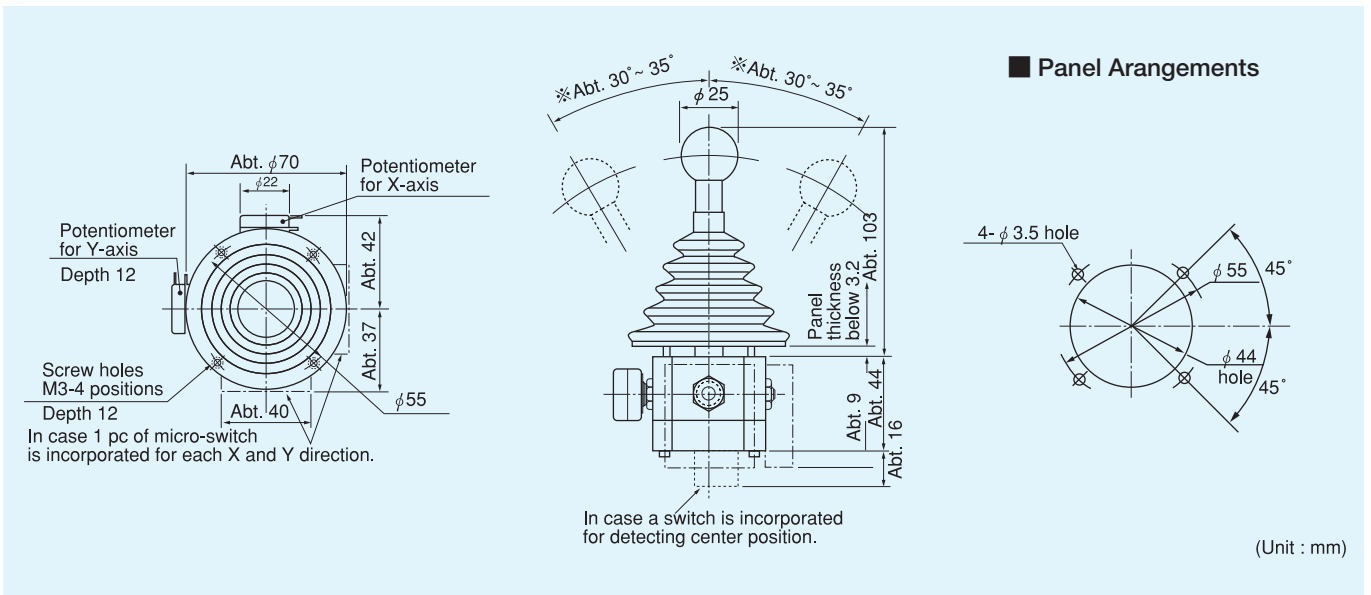
Number of potentiometers to be mounted.
 0...no potentiometer mounted. 2...2 potentiometers mounted.
 1...1 potentiometer mounted. 3...3 potentiometers mounted.

Number of switches to be mounted.
 0...no switch mounted. 4...4 switches mounted.
 1...1 switch mounted. 5...5 switches mounted.
 2...2 switches mounted. 6...6 and over 6 switches mounted.
 3...3 switches mounted. 9...other switches to your special request.

With spring return device : (50JC standard)
R1: with spring return device for 1-dimensional coordinate.
R2: with spring return device for 2-dimensional coordinate.

Mounting accessories :
G: with dust proof rubber cover.(50JC standard) **P**: with sub-panel for mounting.
Special part number :
 In case we produce customized product, we add 4-digit or 5-digit branch number.

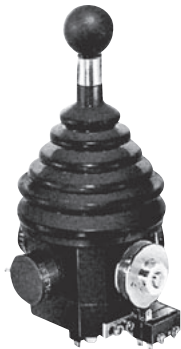
Standard Dimensions





50JCK-YO-20R2G

(Standard 2-dimensional coordinate type)



S50JCK-YO-25R2G

(With 5 micro switches and 1 or them is for detecting the center position)

Special Knobs Available

For detailed dimensions, please refer to page 52.



Knob 102A



Knob 201



Knob 203

STANDARD SPECIFICATIONS

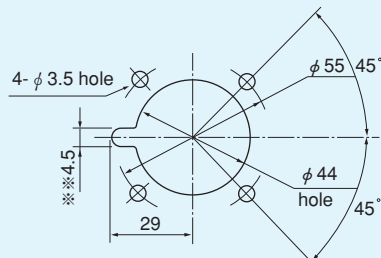
Mechanical Performance

Controlling range of operating lever	2-dimensional coordinate type : Omni-directionally approx. $\pm 30^\circ \sim \pm 35^\circ$ operation from center position.
Operating force	Standard spring return device : Automatically return to center (omni-directional type) Approx. 3~15N (300~1,500gf.)
Operating temperature range	$-20^\circ\text{C} \sim +65^\circ\text{C}$
Vibration	10~55Hz 98m/s ²
Shock	294m/s ²
Life expectancy	Approx. 5,000,000 operations.
Mass	Approx. 350g

Electrical Performance

Potentiometers mounted	SFCP22E 10k Ω \pm 15%, 0.2W (conductive plastic resistive element) Independent linearity tolerance \pm 3% Electrical rotating angle: Approx. 60° All terminals can be fitted with the Tyco 110 series fasten receptacle (2.8 x 0.5mm) or equivalents.
Output smoothness	Below 0.2% against input voltage.
Contact resistance variation	Below 5% C.R.V.
Resolution	Essentially infinite
Dielectric strength	1 minute at 500V.A.C.
Insulation resistance	Over 1,000M Ω at 500V.D.C.

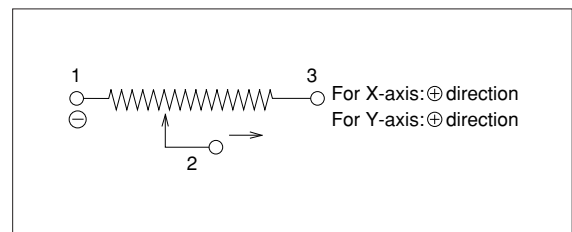
Panel Arrangements



- Note : 1) In case of type Q, the angle of mark "***" becomes 360° square-direction and $\pm 20^\circ \sim \pm 25^\circ$ from center position.
2) In case of JC with knob type 102A, if other components, except our standard pot model SFCP22E, are mounted, the position of mark "***" may be changed to other position.
3) 4 pcs. of mounting screws (M3 x 14) are attached.

(Unit : mm)

Terminal Connection Diagram



Special Specifications Available

Please see page 51, a table of "Standard and Special Specifications Available".