




Encoder accessories

 Encoder accessories (PDF 139 KB)



DSK48

Double loop coupling DSK48

for encoder with shaft \varnothing 10 mm, 12 mm or 14 mm.
No moving parts, thermally and electrically insulating,
smooth running, maintenance-free.

Good resistance to

Gasoline, oil, benzene, toluene, aromatic and non
aromatic hydrocarbons, alcohols, glycols, solvents and
many chemicals.

Product details

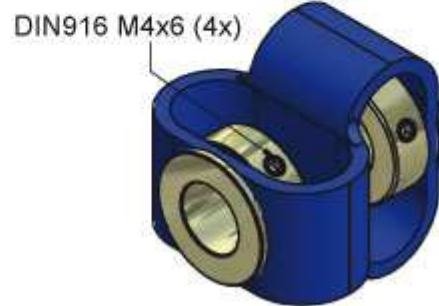
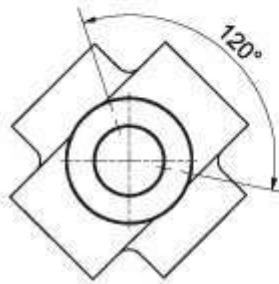
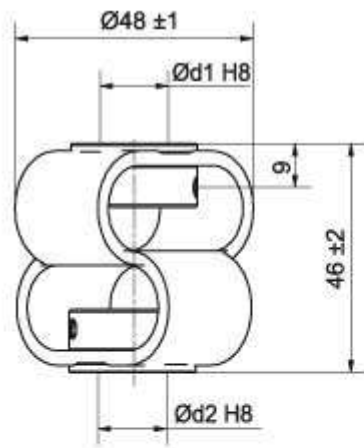
Max. operating speed	3.000 rpm
Max. torque	200 Ncm
Max. offset of shafts radial	\pm 3.0 mm
Max. offset of shafts axial	\pm 4.0 mm
Max. offset of shafts angular	\pm 12°
Torsion spring stiffness	28 Nm/rad
Radial spring stiffness	7 N/mm
Moment of inertia	106 gcm ²
Max. clamping torque	200 Ncm
Operating temperature	-30 °C up to +80 °C
Weight	85 g
Material	flange: steel galvanized connecting element: polyurethane

Order number(s)

DSK481010	double loop coupling: \varnothing d1 = 10 mm, \varnothing d2 = 10 mm
DSK481012	double loop coupling: \varnothing d1 = 10 mm, \varnothing d2 = 12 mm
DSK481212	double loop coupling: \varnothing d1 = 12 mm, \varnothing d2 = 12 mm

Drawing(s)

All dimensional specifications in mm



For further information please contact our local distributor.

Here you find a list of our [→ distributors worldwide](#)