



Feature -

multi-sections and multi-poles

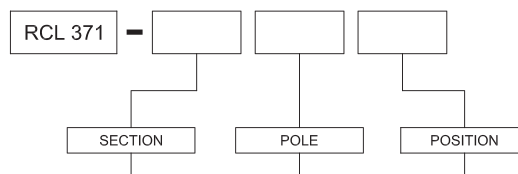
Application -

multi-circuitry in communication products equipments, broadcast system data switch, monitor switching

► SPECIFICATIONS

SWITCH SPECIFICATIONS	
POLE - POSITION	Multi - sections and multi - poles
CONTACT RATING	30 V DC , 500 mA
CONTACT RESISTANCE	25 mΩ MAX. 1 AC KHz±200Hz voltage / current less than 20Mv / 50mA or DC 5V 1A1.5 V DC ; 100 mA , by Method of Voltage DROP
INSULATION RESISTANCE	100 MΩ MIN. 500 V DC for 1 minute
DIELECTRIC STRENGTH	Breakdown is not Allowable ; 500 V AC for 1 Minute
OPERATING FORCE	1 TO 3 Section 2 ± 1 Kgf.cm Over 3 Section 3 ± 1.5 kgf.cm
OPERATING LIFE	10,000 cycles
OPERATING TEMPERATURE RANGE	-20°C ~ 70°C

► HOW TO ORDER

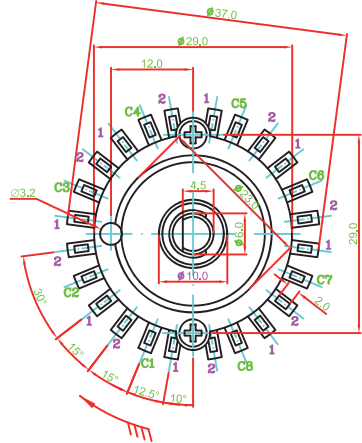
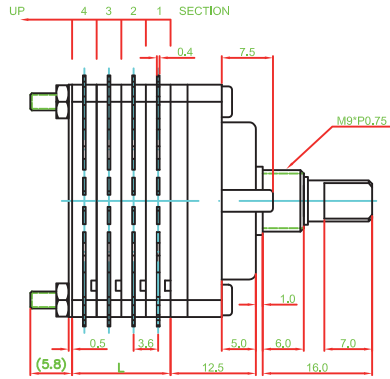


SECTION (1-12)	POLE	POSITION (2-12)	BODY LENGTH (L)	SECTION (1-12)	POLE	POSITION (2-12)	BODY LENGTH (L)
1	8	2	3.6mm	5	40	2	18mm
	4	3			20	3	
	3	4			15	4	
	2	5-6			10	5-6	
	1	7-12			5	7-12	
2	16	2	7.2mm	7	56	2	25.2mm
	8	3			28	3	
	6	4			21	4	
	4	5-6			14	5-6	
	2	7-12			7	7-12	
3	24	2	10.8mm	9	36	3	32.4mm
	12	3			27	4	
	9	4			18	5-6	
	6	5-6			9	7-12	
	3	7-12					
4	24or32	2	14.4mm	12	48	3	43.2mm
	16	3			36	4	
	12	4			24	5-6	
	8	5-6			12	7-12	
	4	7-12					
-	-	-	-	1-12 SECTIONS	-	-	SECTIONS x3.6mm

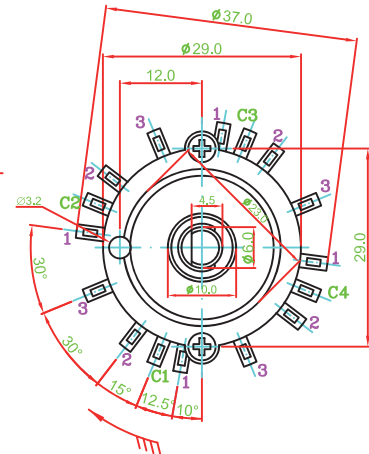
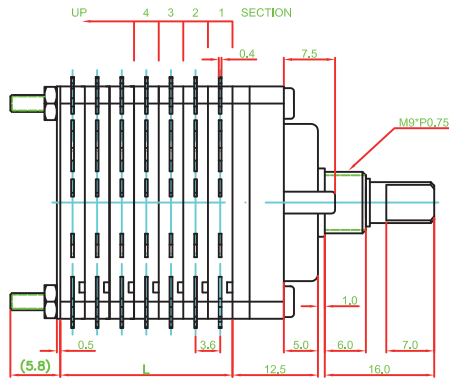


▶ DIMENSION

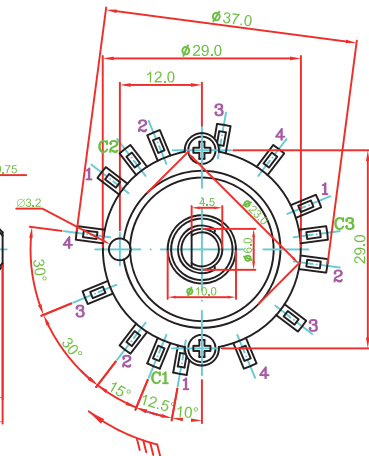
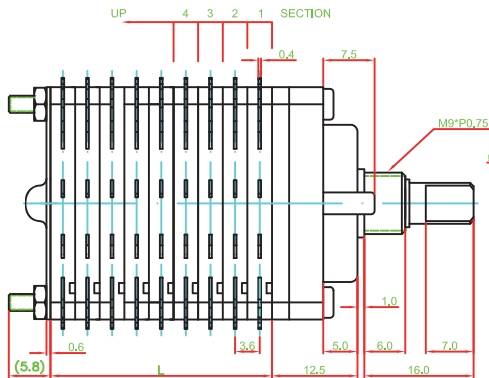
2 Position Series



3 Position Series

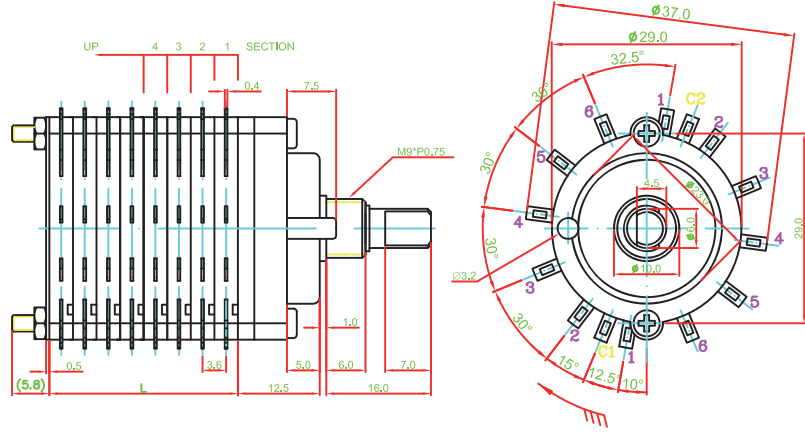


4 Position Series

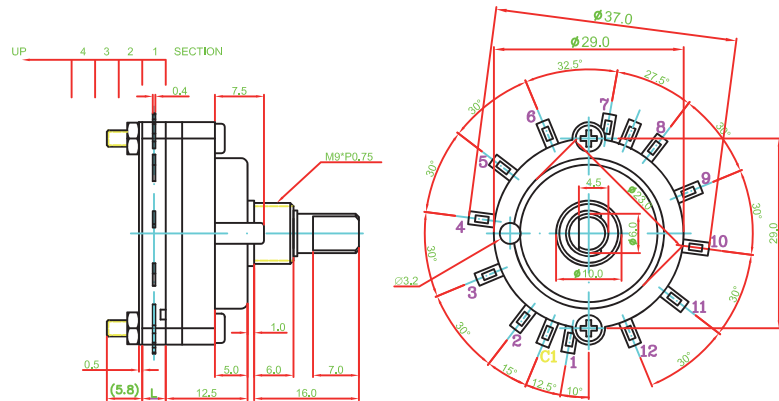


▶ DIMENSION

5~6 Position Series



7~12 Position Series



X Position Series

