

**FEATURES**

- ※Side actuated
- ※Support / Ground pins options
- ※High solder strength

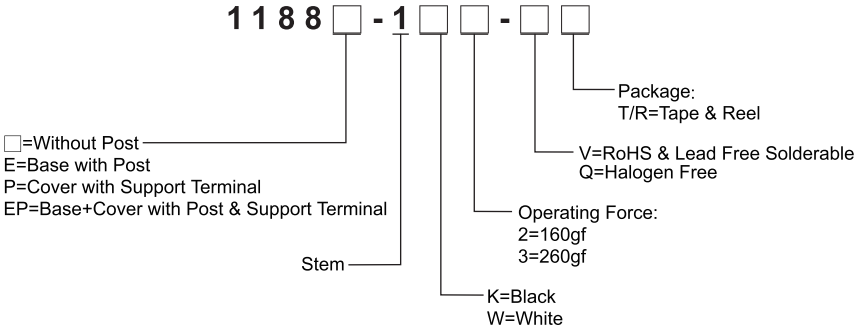
**APPLICATION**

- ※Audio, OA equipment
- ※Instrumentation
- ※Remote control

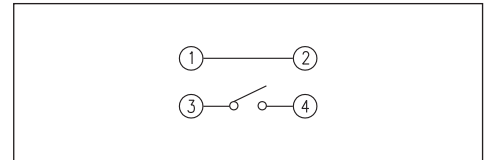
**SPECIFICATION**

Contact Rating	50mA, 12V DC
Contact Resistance	100mΩ max.
Insulation Resistance	100MΩ min. 500V DC
Dielectric Strength	250V AC/1 minute
Operating Force	160±50gf/260±50gf
Travel	0.25mm
Operating Life	30,000 cycles for 260gf 50,000 cycles for 160gf
Operating Temp.	-25°C ~ +70°C
Storage Temp.	-40°C ~ +80°C

**HOW TO ORDER**



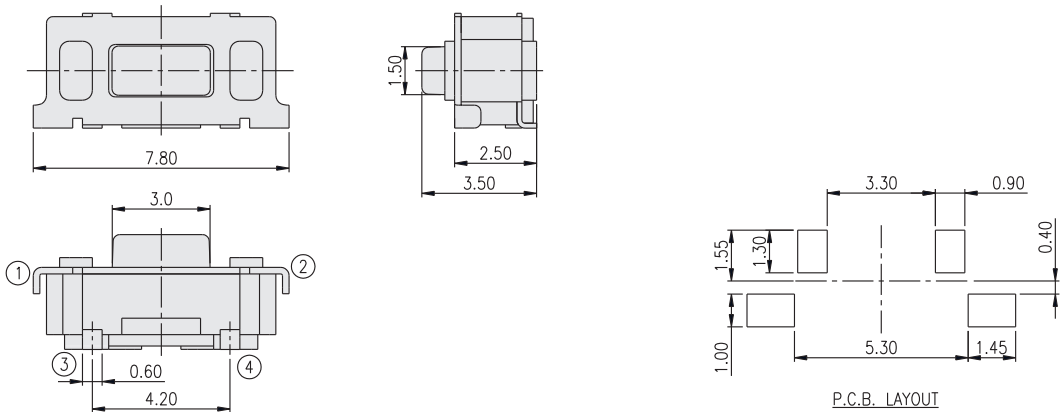
**CIRCUIT**



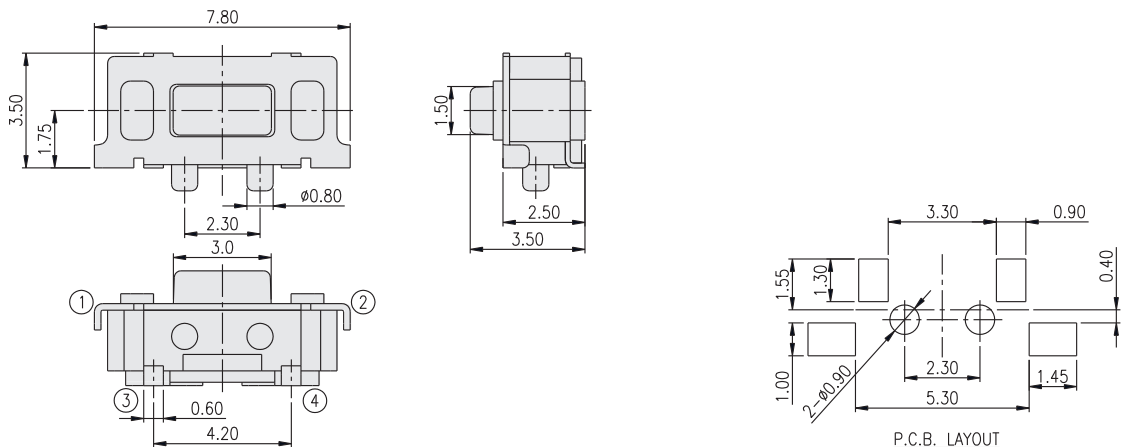
**PACKAGE**

<Tape & Reel>  
1500 pcs

**1188**

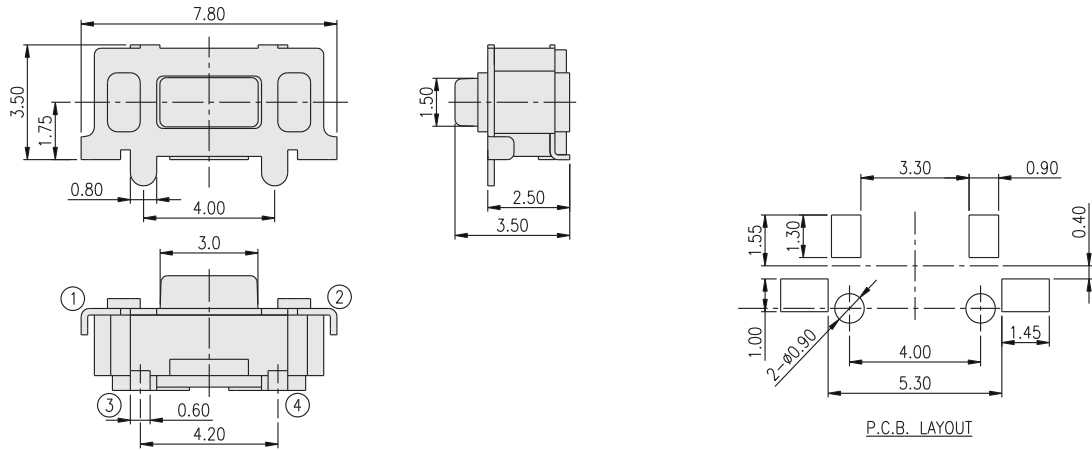


**1188E**





**1188P**



**1188EP**

