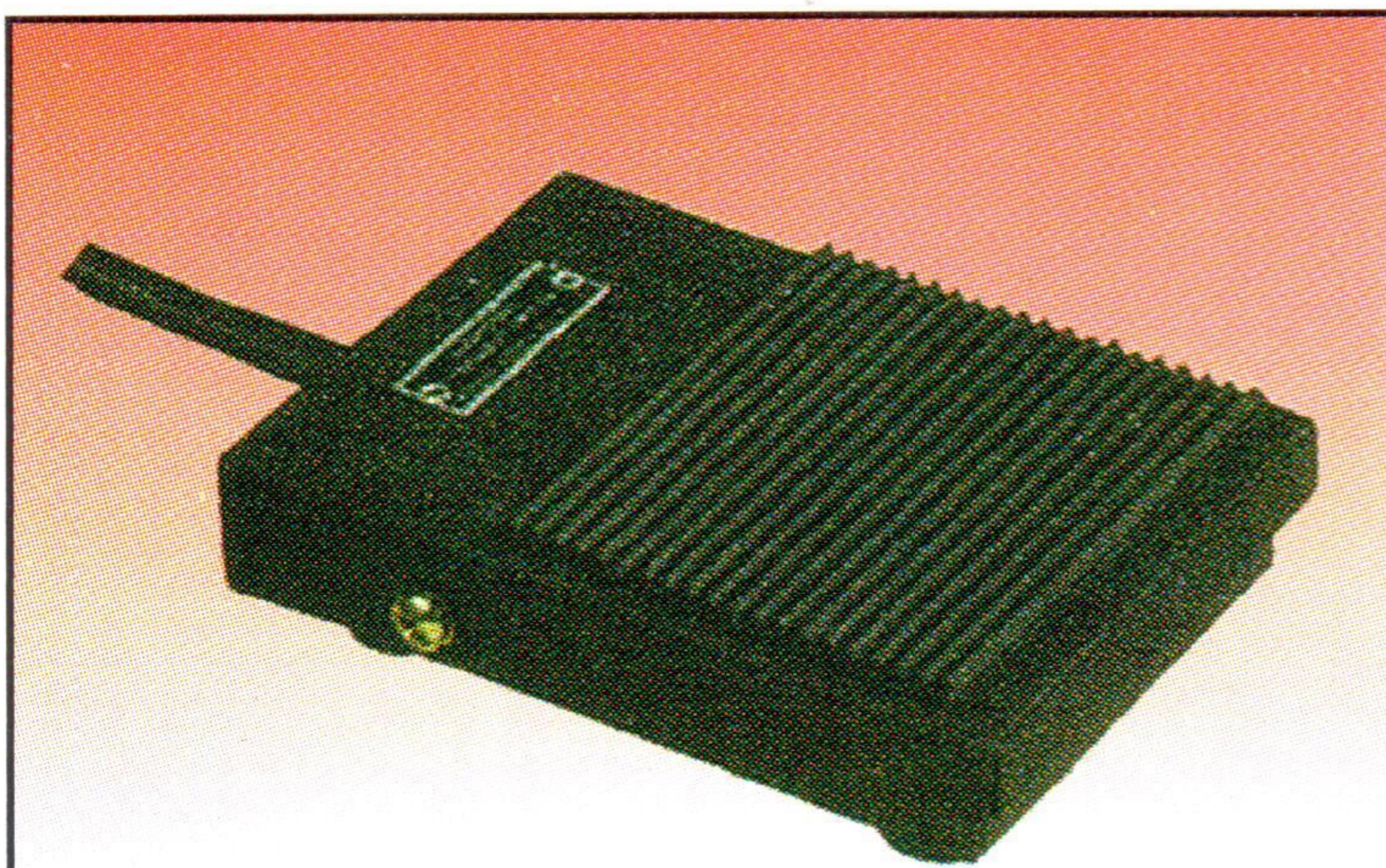
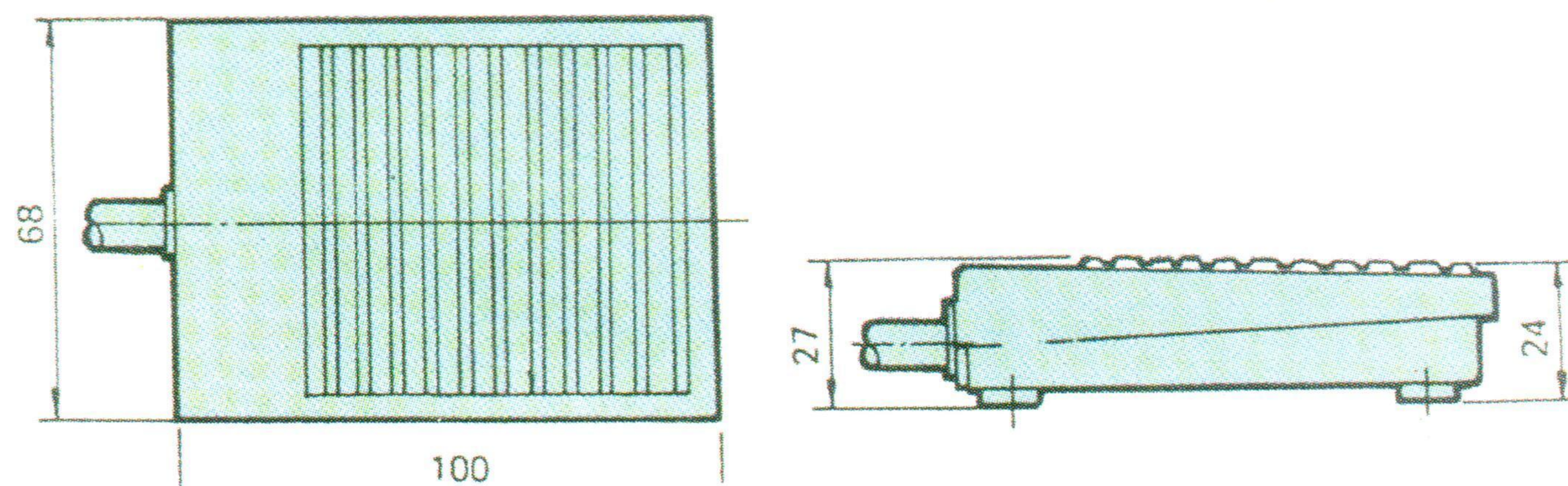


FOOT SWITCHES 腳踏開關



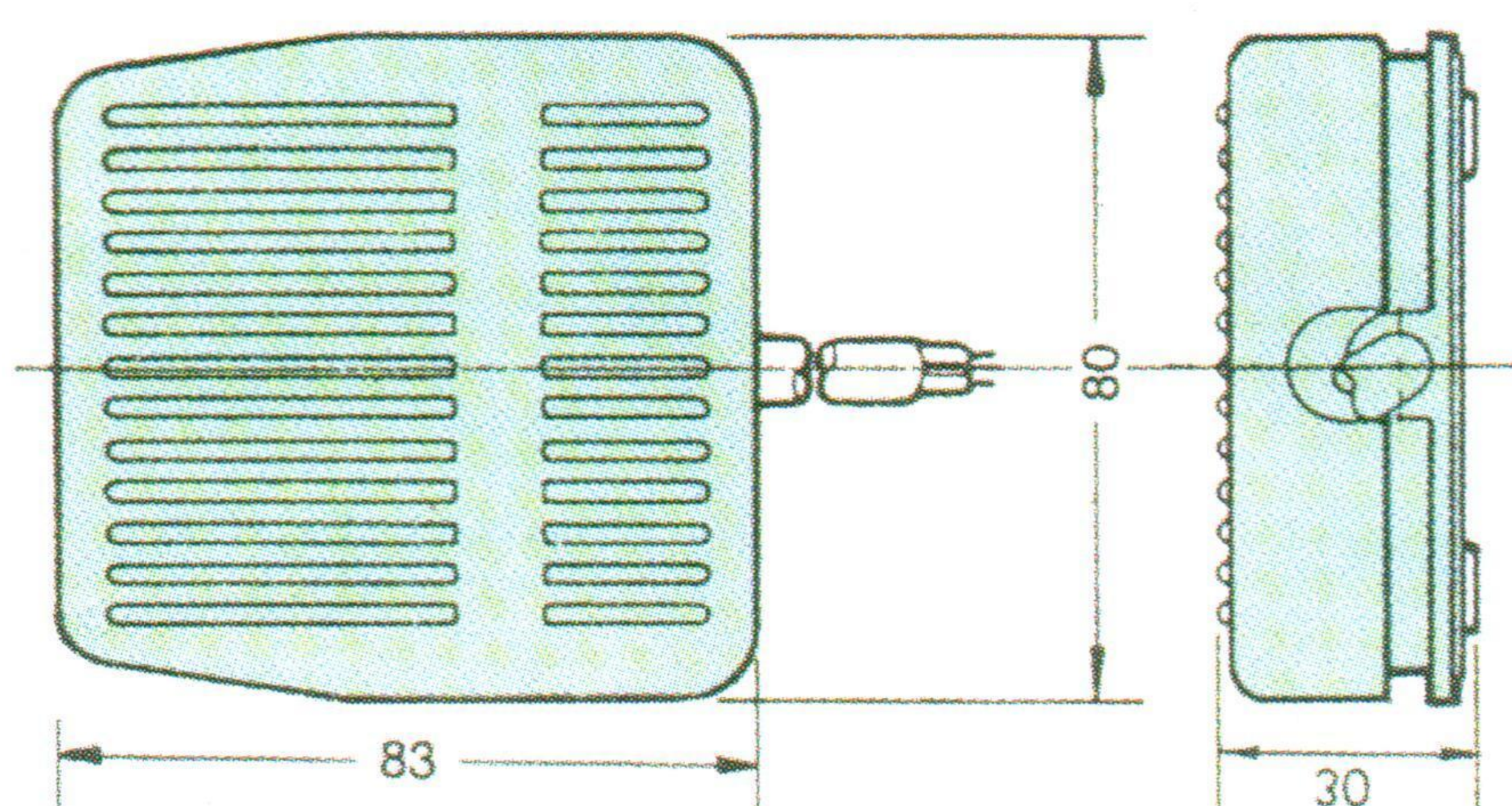
FS-1



unit: mm



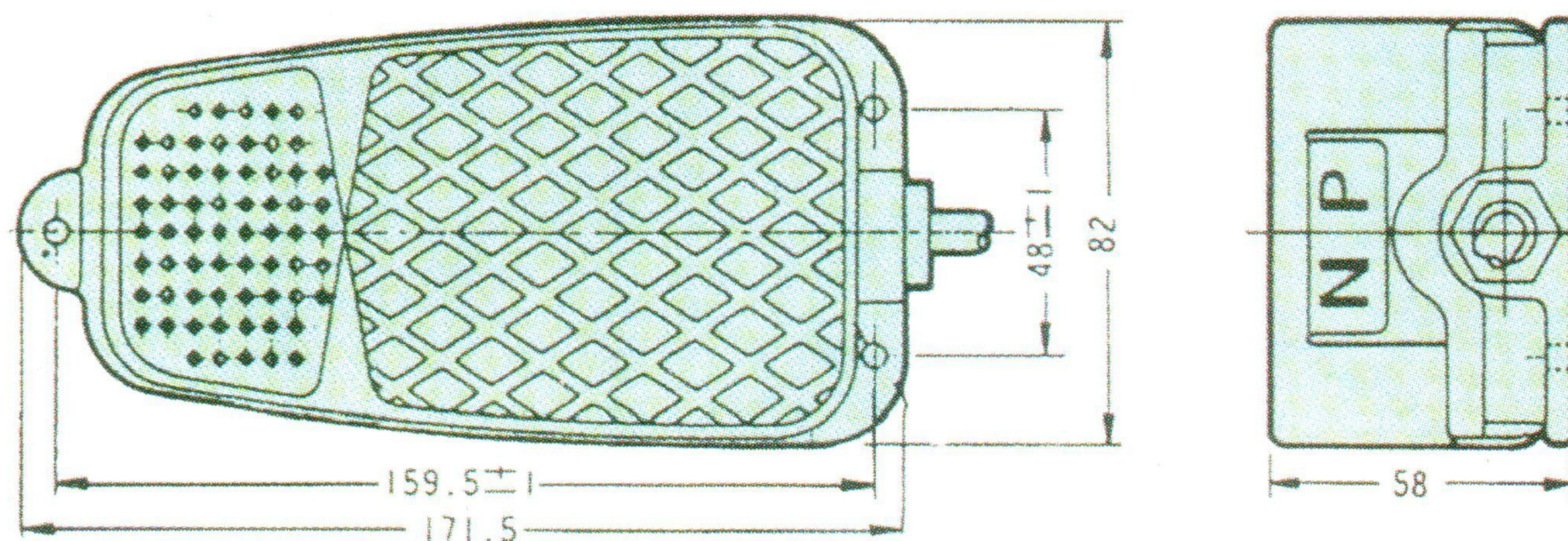
FS-2



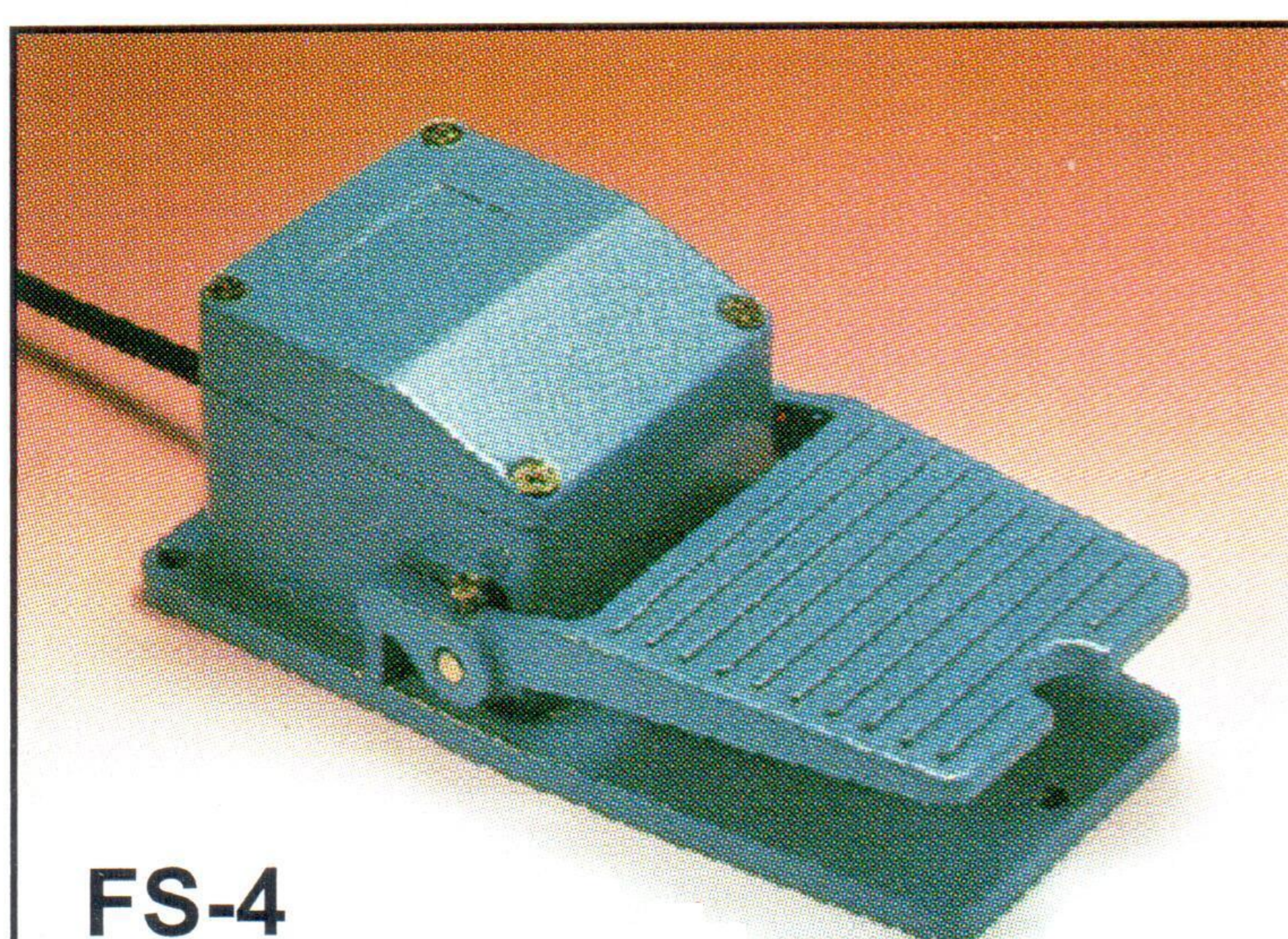
unit: mm



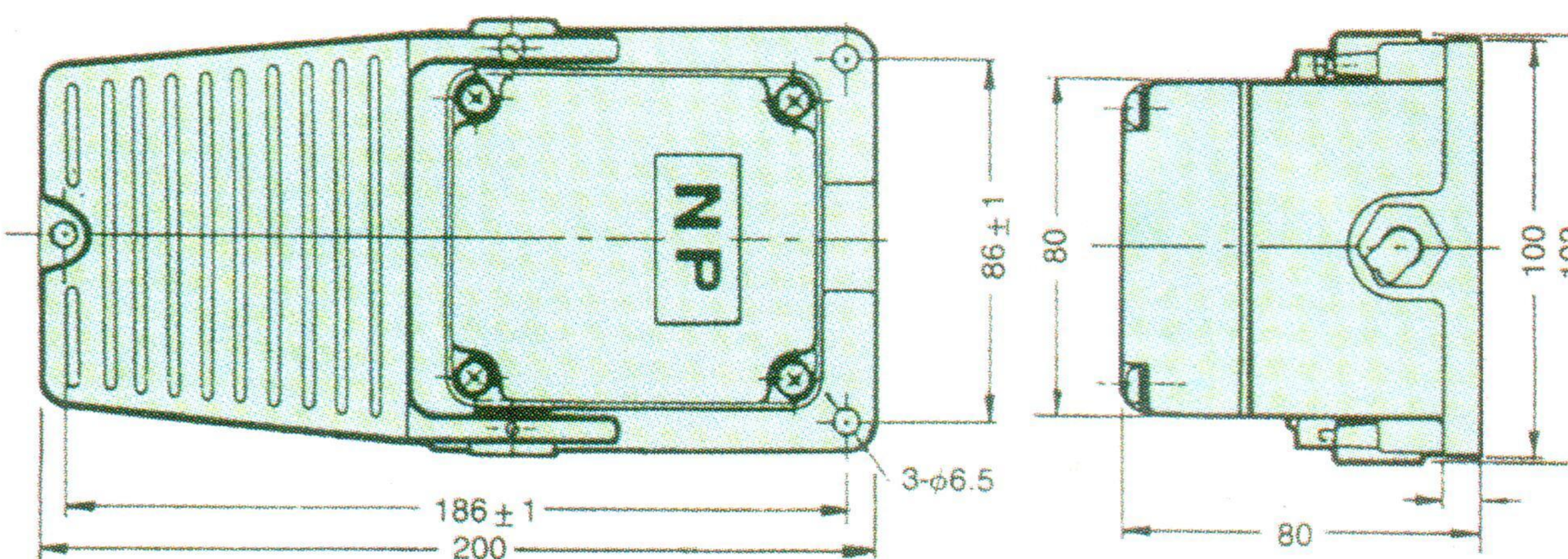
FS-3



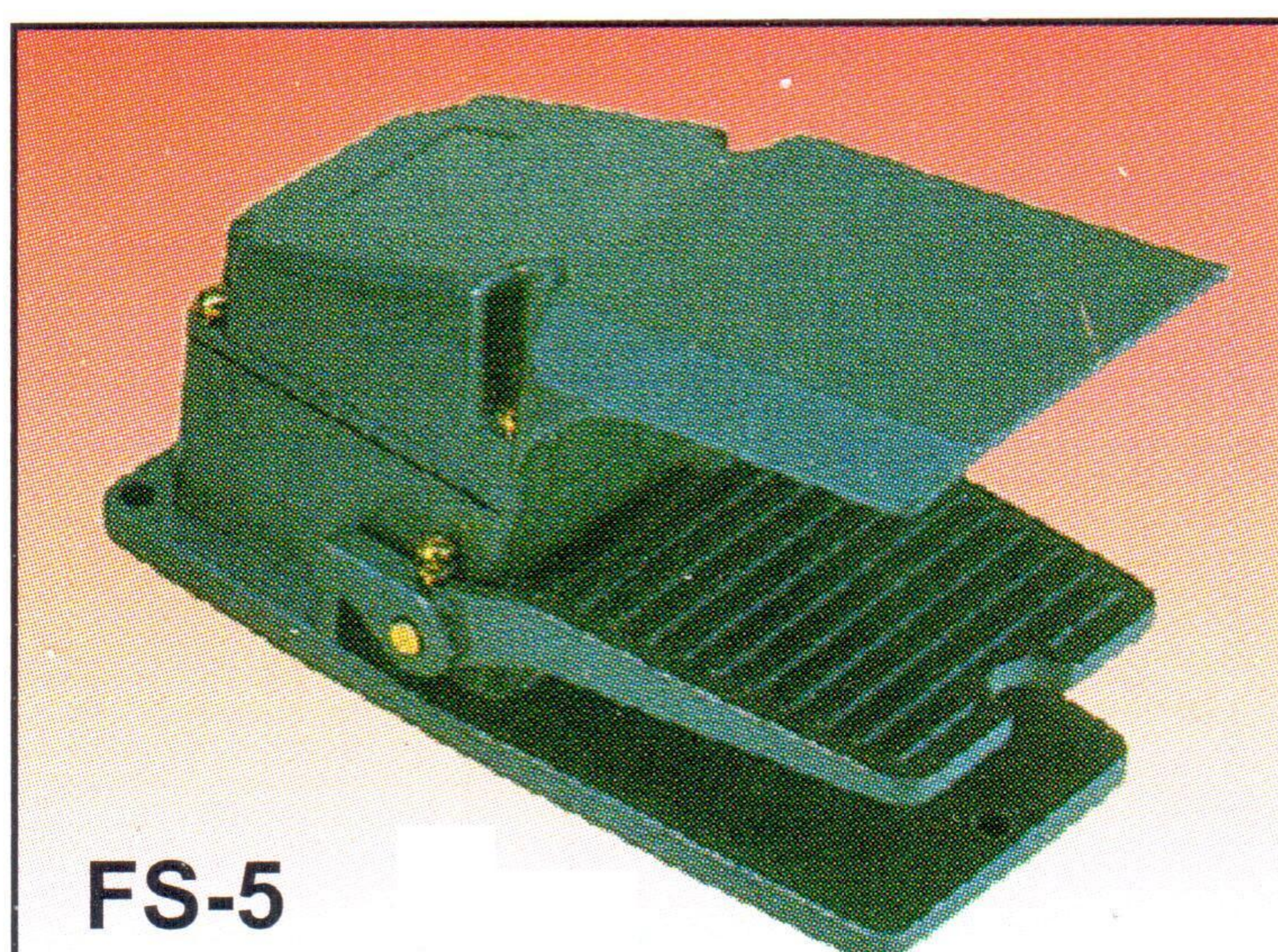
unit: mm



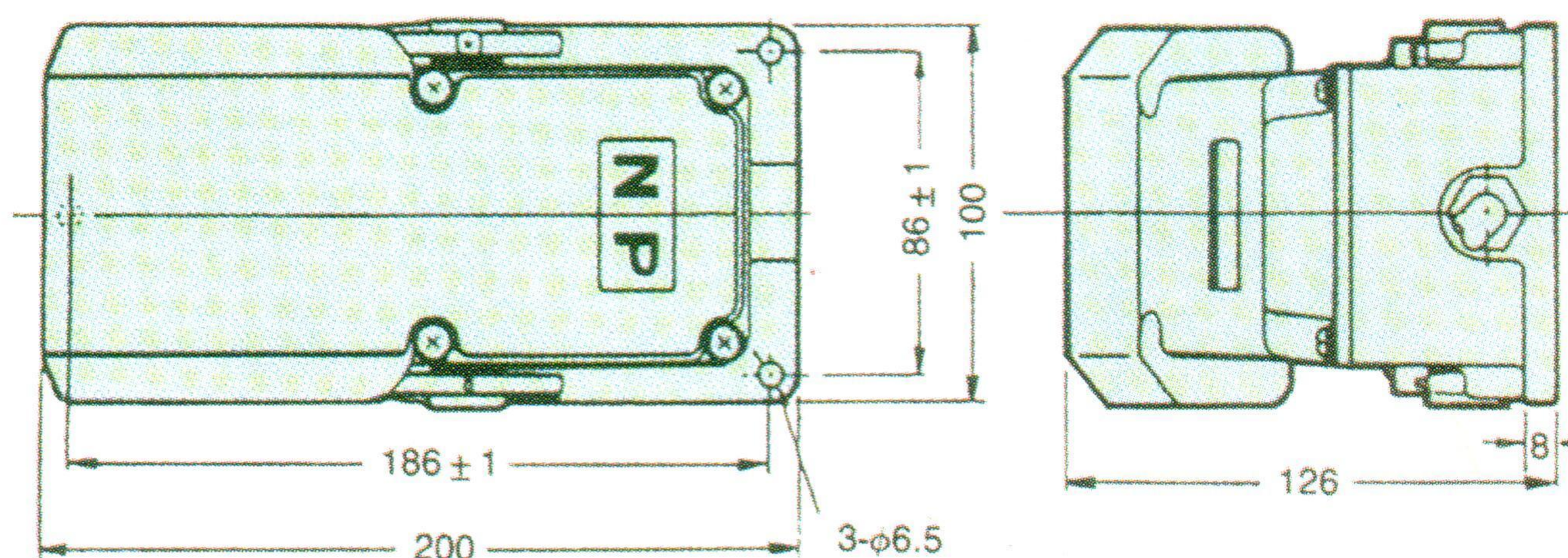
FS-4



unit: mm



FS-5



unit: mm

ITEM NO.	RATING	CORD SPEC.	ENCLOSURE MATERIAL	WEIGHT
FS-1	AC 250V 10A	PNC 0.55mm 3C,1M	FERROUS COVER	290g
FS-2	AC 250V 10A	PNC 0.55mm 3C,1M	POLY-CARBONATED	240g
FS-3	AC 250V 10A	PNC 0.55mm 3C,1M	ALUMINUM	470g
FS-4	AC 250V 15A	PNC 0.55mm 3C	ALUMINUM	820g
FS-5	AC 250V 15A	PNC 0.55mm 3C	ALUMINUM	1000g