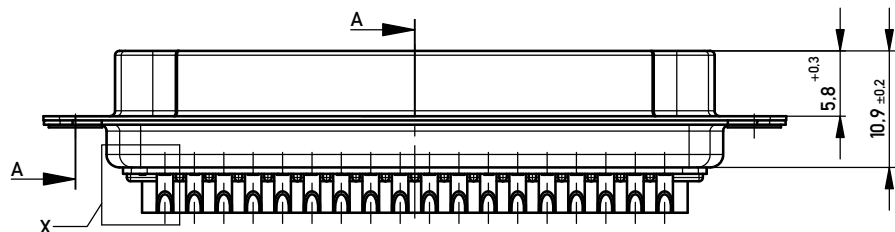
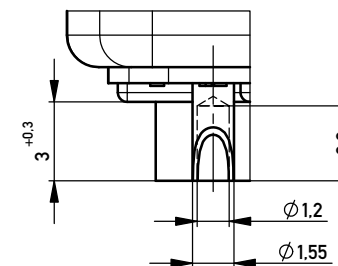
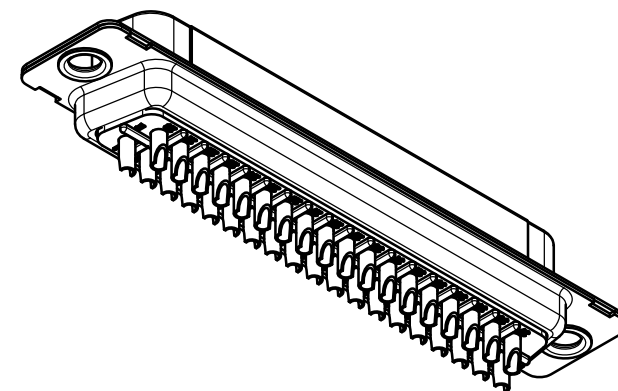
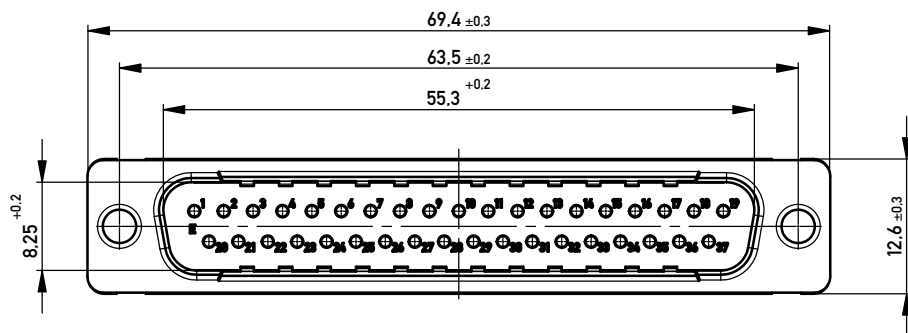
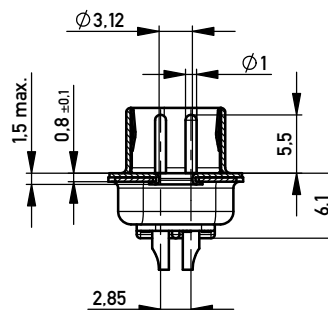


DETAIL X
MAßSTAB 5 : 1



SCHNITT A-A



Anschlussbereich vergoldet
terminal area gold plating

Anforderungsstufe: 2
class: 2

Fehlende Masse und Angaben siehe DIN 41652 / *Missing information and dimensions according to DIN 41652*
Sonstige Angaben siehe Fertigungsunterlagen / *Additional indications according to production documentation*

Information:		Tolerances		Scale	2:1
All rights reserved. Only for Information. To ensure that this is the latest version of this drawing, please contact one of the ERNI companies before using.		All Dimensions in mm		Designation	
		Subject to modification without prior notice. Drawing will not be updated.		TMC-P-37-L BA 1 TMC-P-37-L BA 1	
www.ERNI.com		023130		I A3	
a	18.01.2013	Date		Class	
Index				TMCP	

Copyright by ERNI GmbH. Proprietary notice pursuant to ISO 9006 to be observed.