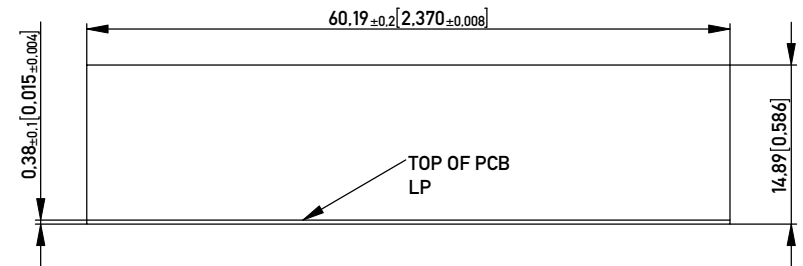


RECOMMENDED PANEL CUTOUT
EMPFOHLENER FRONTPLATTENAUSCHNITT



MATERIALS AND FINISH

HOUSING: GLASS FILLED POLYESTER UL 94 V-0 BLACK

SHIELDING: Cu ALLOY. PLATED WITH Ni

CONTACTS: PHOSPHOR BRONZE

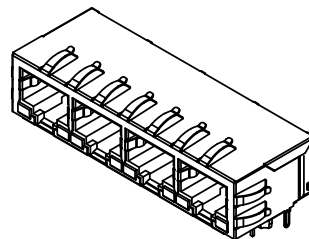
CONTACT FINISH: Au, 0.8µm [30µin] OVER Ni

TERMINAL FINISH: Sn MATTE

MECHANICAL CHARACTERISTICS

DURABILITY: 1000 MATING CYCLES

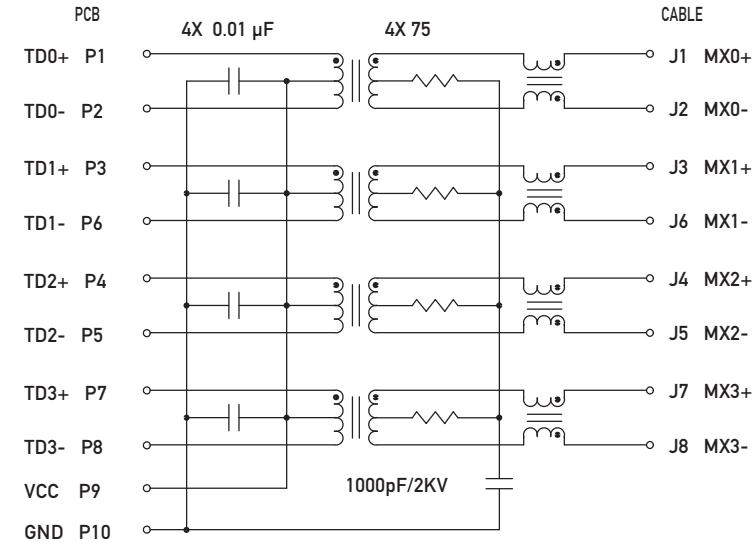
OPERATING TEMPERATURE: 0°C TO 70°C



NO. IDENT. NR.	LED 2 LEFT LED 2 LINK	LED 1 RIGHT LED 1 RECHTE	LED CODE
203301	YELLOW	GREEN	L1
203272	GREEN	YELLOW	L2
203302	GREEN	GREEN	L3
203303	GREEN	RED	L4
203304	ORANGE/GREEN	ORANGE/GREEN	L9

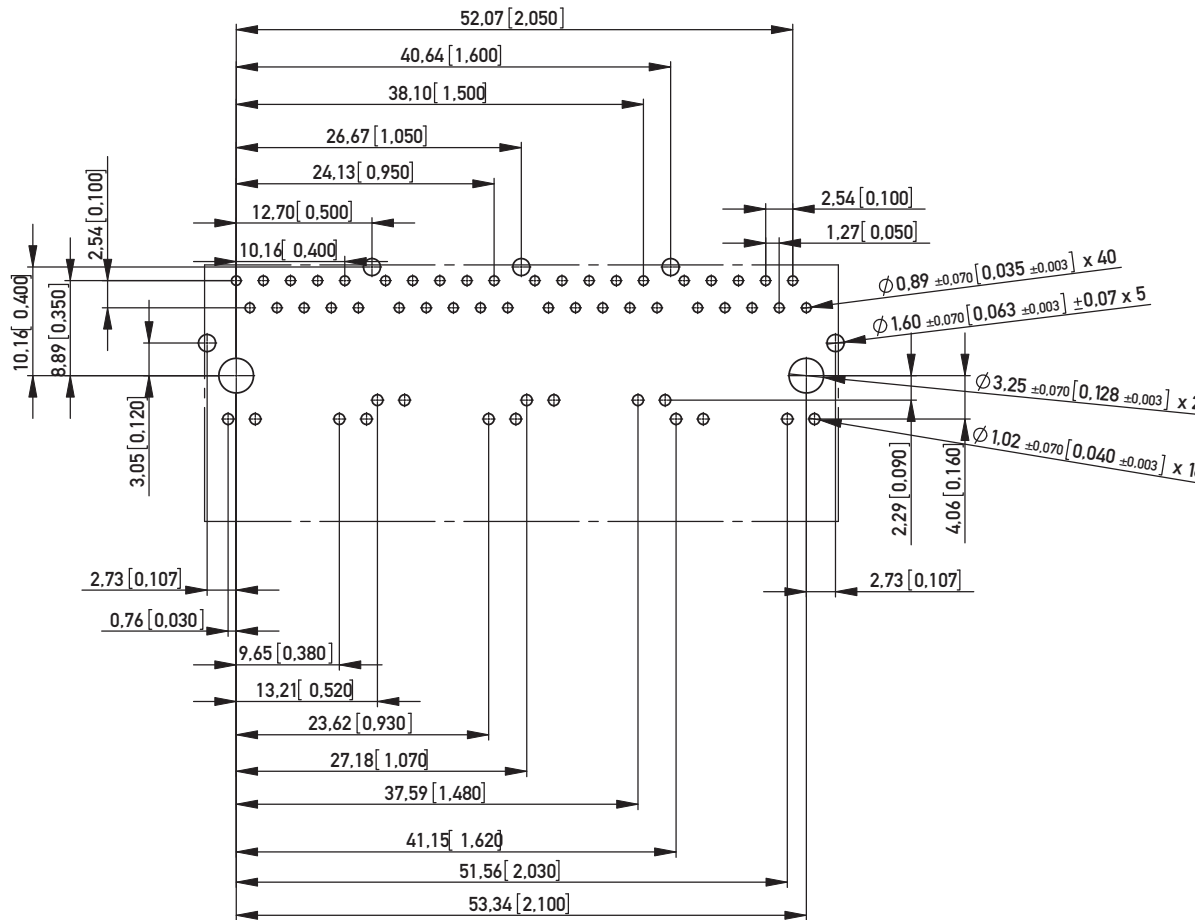
Copyright by ERNI GmbH.
Proprietary notice pursuant to ISO 16016 to be observed.

Information:		Tolerances $X,XX \triangleq \pm 0,25$		Scale 2:1
All rights reserved. Only for Information. To ensure that this is the latest version of this drawing, please contact one of the ERNI companies before using.		Subject to modification without prior notice. Drawing will not be updated.		Designation MOD-JACK - MJIM 8C10T, 1 x 4, INT. MAG., LED
B		05.11.2009		www.ERNI.com
Index		Date		
		ERNI		203300 (1/2)
		Class		MJIM
				A3



LED SPECIFICATIONS
LED ANWEISUNG

COLOR FARBE	V _f TYP	V _f MAX	I _f mA	CIRCUIT DIAGRAM SCHALTSKIZZE
YELLOW	2.1	2.5	20	
GREEN	2.2	2.5	20	
RED	2.25	2.5	20	
ORANGE/GREEN	2.05/2.2	2.5	20	

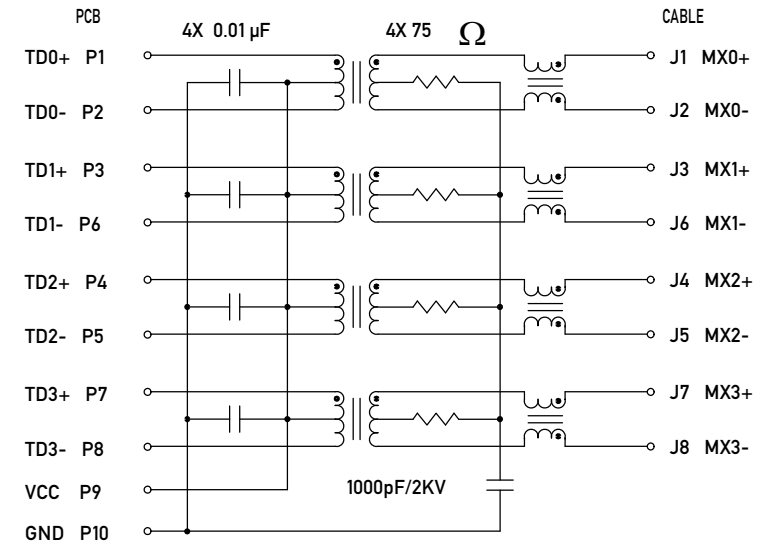


MAGNETICS SPECIFICATIONS @ 25°C

TURNS RATIO: 1CT:1CT ±3%
 OCL(100 KHz, 0.1 V, 8 mA) 350 µH MIN
 INSERTION LOSS:
 1-100 MHz -1.1 dB MAX
 RETURN LOSS:
 1-40 MHz -18 dB MIN
 60 MHz -14 dB MIN
 80 MHz -12 dB MIN
 100 MHz -10 dB MIN
 CROSSTALK:
 1-100 MHz -35 dB TYP
 CMR:
 0.1 - 30 MHz -50 dB TYP
 30 - 60 MHz -40 dB TYP
 60 - 100 MHz -35 dB TYP
 ISOLATION 1500 Vrms

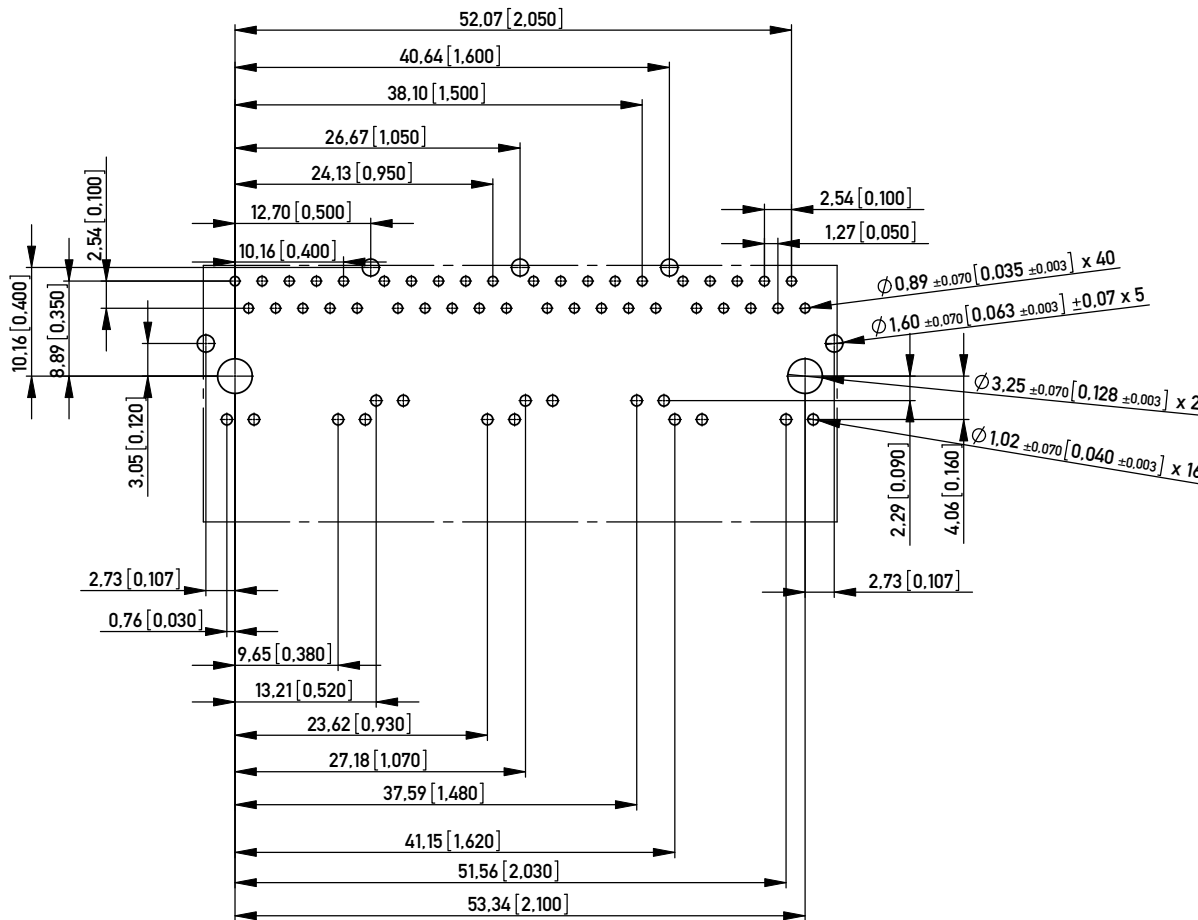
Copyright by ERNI GmbH
 Proprietary notice pursuant to ISO 14001 to be observed.

Information:	Tolerances X,XX Δ ±0.25		Scale 2:1
All rights reserved. Only for Information. To ensure that this is the latest version of this drawing, please contact one of the ERNI companies before using.	Subject to modification without prior notice. Drawing will not be updated.	Designation MOD-JACK - MJIM 8C10T, 1 x 4, INT. MAG., LED	
		www.ERNI.com	203300
		Class MJIM	(2/2) A3



LED SPECIFICATIONS
LED ANWEISUNG

COLOR FARBE	V _f TYP	V _f MAX	I _f mA	CIRCUIT DIAGRAM SCHALTSKIZZE
YELLOW	2.1	2.5	20	
GREEN	2.2	2.5	20	
RED	2.25	2.5	20	
ORANGE/GREEN	2.05/2.2	2.5	20	



MAGNETICS SPECIFICATIONS @ 25°C

URNS RATIO: 1CT:1CT ±3%

OCL(100 KHz, 0.1 V, 8 mA) 350 µH MIN

INSERTION LOSS:

1-100 MHz -1.1 dB MAX

RETURN LOSS:

1-40 MHz -18 dB MIN

60 MHz -14 dB MIN

80 MHz -12 dB MIN

100 MHz -10 dB MIN

CROSSTALK:

1-100 MHz -35 dB TYP

CMR:

0.1 - 30 MHz -50 dB TYP

30 - 60 MHz -40 dB TYP

60 - 100 MHz -35 dB TYP

ISOLATION 1500 Vrms

Copyright by ERNI GmbH. Proprietary notice pursuant to ISO 16949 to be observed.

Information:	Tolerances X,XX ±0.25 All Dimensions in mm [in]	Scale 2:1
All rights reserved. Only for Information. To ensure that this is the latest version of this drawing, please contact one of the ERNI companies before using.	Subject to modification without prior notice. Drawing will not be updated.	Designation MOD-JACK - MJIM 8C10T, 1 x 4, INT. MAG., LED
www.ERNI.com	203300	(2/2) A3
Class MJIM		