

Datasheet - AZM 161SK-12/12RIA-024-B1

Solenoid interlock / AZM 161I / AZM 161I-B1



(Minor differences between the printed image and the original product may exist!)

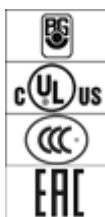
- Compact design
- Interlock with protection against incorrect locking.
- Individual coding
- Coding level "High" according to ISO 14119
- Double-insulated
- High holding force
- Long life
- 130 mm x 90 mm x 30 mm
- 1 Cable entry M 20 x 1.5
- Screw connection
- Manual release from side
- Particularly suitable for sliding doors

Ordering details

| | |
|--------------------------|---------------------------|
| Product type description | AZM 161SK-12/12RIA-024-B1 |
| Article number | 101211547 |
| EAN Code | 4030661393735 |
| eCl@ss | 27-27-26-03 |

Approval

Approval



Classification

| | |
|-----------------------------------|--|
| Standards | EN ISO 13849-1 |
| B10d Normally-closed contact (NC) | 2.000.000 |
| Mission time | 20 Years |
| notice | $MTTF_d = \frac{B_{10d}}{0,1 \times n_{op}}$ $n_{op} = \frac{d_{op} \times h_{cp} \times 3600 \text{ s/h}}{t_{cycle}}$ |

Global Properties

| | |
|--------------------------------------|---------------------------|
| Permanent light | AZM 161I |
| Standards | EN 60947-5-1, BG-GS-ET-19 |
| Compliance with the Directives (Y/N) | Yes |
| Number of actuating directions | 3 |

| | |
|--|---|
| Active principle | electromechanical |
| - Individual coding | |
| - Coding level "High" according to ISO 14119 | |
| Duty cycle | Magnet 100 |
| Materials | |
| - Material of the housings | glass-fibre reinforced thermoplastic, Plastic self-extinguishing, |
| - Material of the actuator | Stainless steel |
| - Material of the contacts | Silver |
| Housing coating | None |
| Weight | 485 |

Mechanical data

| | |
|----------------------------------|---|
| Design of electrical connection | Screw connection |
| Cable section | |
| - Min. Cable section | 1 x 0,25 |
| - Max. Cable section | 1 x 1.5, flexible |
| Mechanical life | > 1.000.000 operations |
| notice | All indications about the cable section are including the conductor ferrules. |
| Emergency unlocking device (Y/N) | No |
| Manual release (Y/N) | Yes |
| Emergency release (Y/N) | No |
| Latching force | 30 |
| Positive break force | 20 |
| positive break travel | 10 |
| Clamping force | 2000 |
| Max. Actuating speed | 2 |
| Minimum actuating radius | 150 |
| Actuating frequency | 1000 / |

Ambient conditions

| | |
|----------------------------------|----------------------|
| Ambient temperature | |
| - Min. environmental temperature | -25 |
| - Max. environmental temperature | +60 |
| Protection class | IP67 to IEC/EN 60529 |

Electrical data

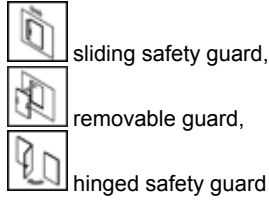
| | |
|---------------------------------|---|
| Design of control element | Normally open contact (NO), Opener (NC) |
| Switching principle | Creep circuit element |
| Number of auxiliary contacts | 2 |
| Number of safety contacts | 4 |
| Power to unlock | No |
| Power to lock | Yes |
| Rated control voltage | 24 V/DC |
| Power consumption | 10 |
| Rated impulse withstand voltage | 4 |
| Rated insulation voltage | 250 |
| Thermal test current | 6 A |
| Utilisation category | AC-15: 230 V / 4 A DC-13: 24 V / 2,5 A |
| Max. fuse rating | 6 A gG D-fuse To DIN EN 60269-1 |

ATEX

| | |
|---|------|
| Explosion protection categories for gases | None |
| Explosion protected category for dusts | None |

Miscellaneous data

Applications



Dimensions

Dimensions of the sensor

| | |
|--------------------|-----|
| - Width of sensor | 130 |
| - Height of sensor | 90 |
| - Length of sensor | 30 |

notice

On hinged guards, minimum actuating radius at 90° to the plane of the actuator 180 mm
minimum actuating radius on hinged guards in line with the plane of the actuator 150 mm

The actuator is not available separately.

The axis of the hinge should be 5 mm above the top edge of the safety switch and in the same plane

Manual release

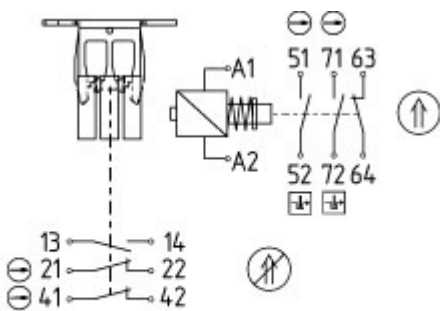
- For maintenance, installation, etc.
- For manual release using M5 triangular key, available as accessory

Included in delivery

Included in delivery

- Individually coded actuator
- Slot sealing plugs

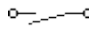
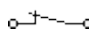
Diagram



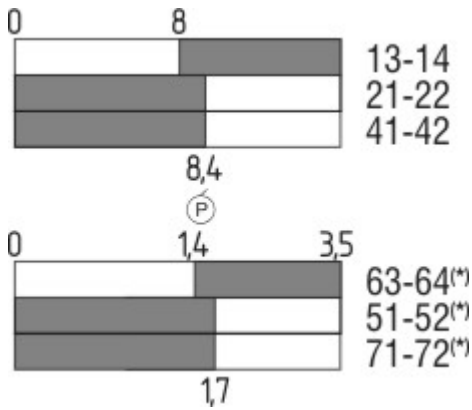
| | | | | | | | | | | | | | |
|----|----|----|----|----|----|----|----|----|----|----|----|----|----|
| 13 | 14 | 21 | 22 | 41 | 42 | 51 | 52 | 63 | 64 | 71 | 72 | A1 | A2 |
|----|----|----|----|----|----|----|----|----|----|----|----|----|----|

Note Diagram






- ⊖ → positive break NC contact
- ⊖ ⊕ active
- ⊖ ⊕ no active

-  Normally-open contact
-  Normally-closed contact

Switch travel diagram



Notes Switch travel diagram

-  Contact closed
 -  Contact open
 -  Setting range
 -  Break point
 -  Positive opening sequence/- angle
- VS** adjustable range of NO contact
VÖ adjustable range of NC contact
N after travel

Ordering suffix

The applicable ordering suffix is added at the end of the part number of the safety switch.

Order example: AZM 161SK-12/12RIA-024-B1-**1637**

....-**1637**

0,3 µm gold-plated contacts

Documents

Operating instructions and Declaration of conformity (en) 669 kB, 27.03.2019

Code: mrl_azm161i_en

Operating instructions and Declaration of conformity (jp) 696 kB, 02.05.2019

Code: mrl_azm161i_jp

Operating instructions and Declaration of conformity (nl) 620 kB, 29.11.2017

Code: mrl_azm161i_nl

Operating instructions and Declaration of conformity (da) 618 kB, 21.11.2017

Code: mrl_azm161i_da

Operating instructions and Declaration of conformity (de) 625 kB, 27.03.2019

Code: mrl_azm161i_de

Operating instructions and Declaration of conformity (pl) 693 kB, 24.05.2019

Code: mrl_azm161i_pl

Operating instructions and Declaration of conformity (es) 685 kB, 28.03.2019

Code: mrl_azm161i_es

Operating instructions and Declaration of conformity (pt) 669 kB, 03.04.2019

Code: mrl_azm161i_pt

Operating instructions and Declaration of conformity (sv) 619 kB, 29.11.2017

Code: mrl_azm161i_sv

Operating instructions and Declaration of conformity (cs) 640 kB, 21.11.2017

Code: mrl_azm161i_cs

Operating instructions and Declaration of conformity (it) 618 kB, 29.11.2017

Code: mrl_azm161i_it

Operating instructions and Declaration of conformity (fr) 670 kB, 09.04.2019

Code: mrl_azm161i_fr

BG-test certificate (de) 1 MB, 22.07.2019

Code: z_m16p01

BG-test certificate (en) 1 MB, 22.07.2019

Code: z_m16p02

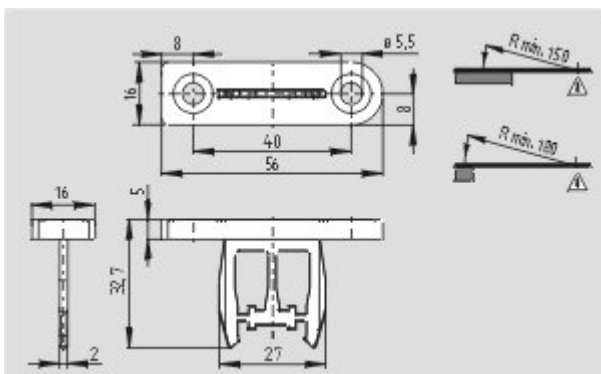
EAC certification (ru) 1 MB, 05.11.2019

Code: q_6040p17_ru

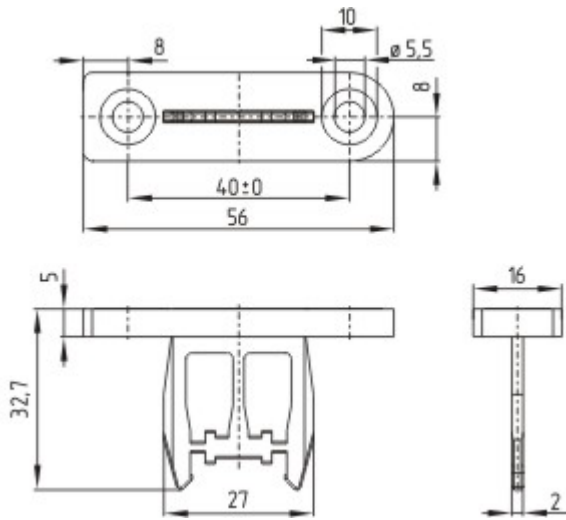
Images



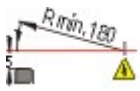
Product photo



Dimensional drawing (miscellaneous)



Dimensional drawing (miscellaneous)



Actuating radius



Actuating radius

K.A. Schmersal GmbH & Co. KG, Möddinghofe 30, D-42279 Wuppertal

The data and values have been checked thoroughly. Technical modifications and errors excepted.

Generiert am 03.12.2019 - 08:53:47h Kasbase 3.3.0.F.64I