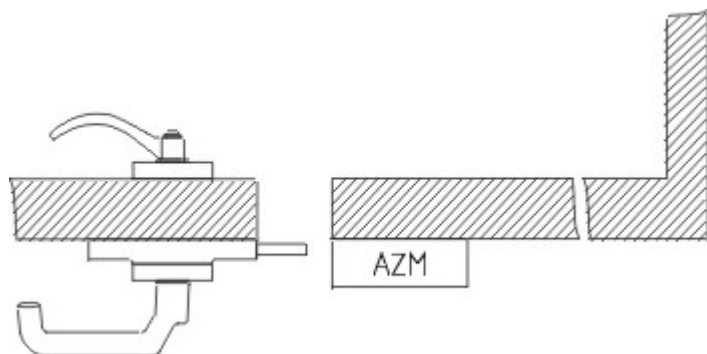


Datasheet - AZM 161-STS30-06

Solenoid interlock / AZM 161 / Door-handle system STS / AZM 161-STS30



(Minor differences between the printed image and the original product may exist!)

- Latching handle
- Suitable for all types of guard
- suitable in combination with EX-AZM 161
- Max. 110 °C

Ordering details

Product type description	AZM 161-STS30-06
Article number	101175491
EAN Code	4030661305431
eCl@ss	27-27-92-16

Global Properties

Permanent light	AZM 161-STS30
Weight	2055

Mechanical data

emergency handle (Y/N)	Yes
Shearing force	15.000 N
Actuator mounted	outside
Door hinge	left

Included in delivery

Mounting plate for safety switch
 Actuator including mounting plate
 emergency handle including mounting plate

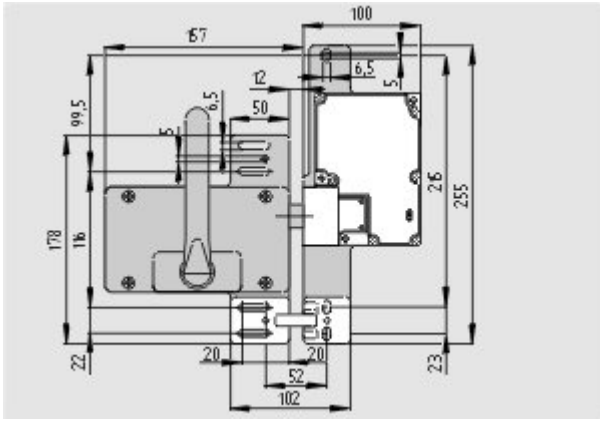
Documents

Operating instructions and Declaration of conformity (es) 480 kB, 24.09.2018

Code: mrl_az-azm-sts30_es

Operating instructions and Declaration of conformity (it) 480 kB, 24.09.2018

Code: mrl_az-azm-sts30_it



Dimensional drawing (miscellaneous)

System components

Accessories



1147878 - SZ 415-1

- Suitable for mounting inside and outside of the hazardous area
- To prevent inadvertent closing, e.g. during maintenance
- For complex plant
- Prevents actuation of the switch
- Lockout tag with 3 circular holes



1147932 - SZ 415-2

- Suitable for mounting inside and outside of the hazardous area
- To prevent inadvertent closing, e.g. during maintenance
- For complex plant
- Prevents actuation of the switch
- Lockout tag with 3 circular holes



SZ 415-1-2177 - SZ 415-1-2477

- Suitable for mounting inside and outside of the hazardous area
- To prevent inadvertent closing, e.g. during maintenance
- For complex plant
- Prevents actuation of the switch
- Lockout tag with 5 circular holes



SZ 415-2-2177 - SZ 415-2-2477

- Suitable for mounting inside and outside of the hazardous area
- To prevent inadvertent closing, e.g. during maintenance
- For complex plant
- Prevents actuation of the switch
- Lockout tag with 5 circular holes



101172607 - TFA-020

- Pre-positioning
- The actuator is independent from the centring device.
- Smooth insertion or retraction of the actuator

