



Part number

CHV 10



Brief description:

hoods for two levers, size "57.27", top entry, Pg16, metal version, IP66

Product description		Approvals / Standards	
Version	metal version	Quality mark	 (type:4/4X/12),  , EAC
Series	hoods for two levers	Conformity	CQC, CE
Product type	with 4 pegs	General ordering information	
Variant	top entry	EAN13 code	8015747024273
Family	CLASS enclosures	Tariff number	85369095
Size	size "57.27"	Packaging Information	
Technical data		Packaging length	160,00 mm
Material	metal	Packaging height	130,00 mm
IP degree of protection	IP66 (and IP69K DIN 40050 - 9)	Packaging width	270,00 mm
Cable entry	Pg16	Packaging weight	2,45 kg
Further technical details		Packaging volume	5,62 dm ³
Weight	103,00 g	Packaging description	Carton box
		Packaging quantity	20 Pcs
		Packaging EAN code	8015747024280
		Sub-packaging weight	0,61 kg
		Sub-packaging description	Plastic pakaging
		Sub-packaging quantity	5 Pcs
		Sub-packaging EAN barcode	8015747024297

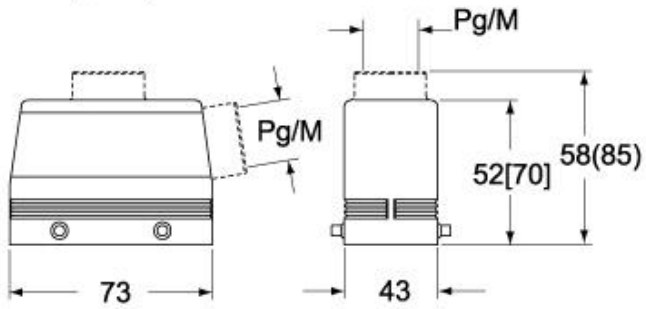
Part number

CHV 10

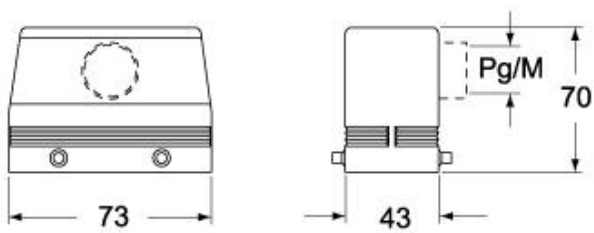


Catalogue drawings

**CHO [CAO] CHV (CAV) - MHO [MAO]
MHV (MAV)**



CAF - MAF/MFF



CHV G (CAV G) - MHV G (MAV G) - [MFV G]

