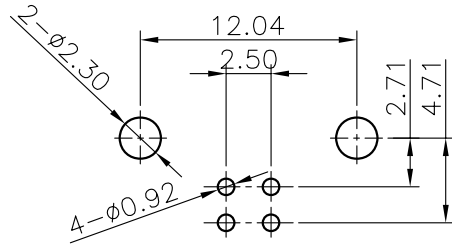
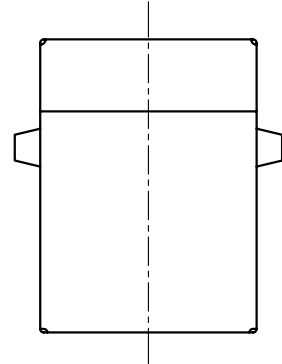


REV.	DESCRIPTION	DRAWN	CHECKED	APPROVED
A	NEW RELEASE	LJH 05/10/05'		



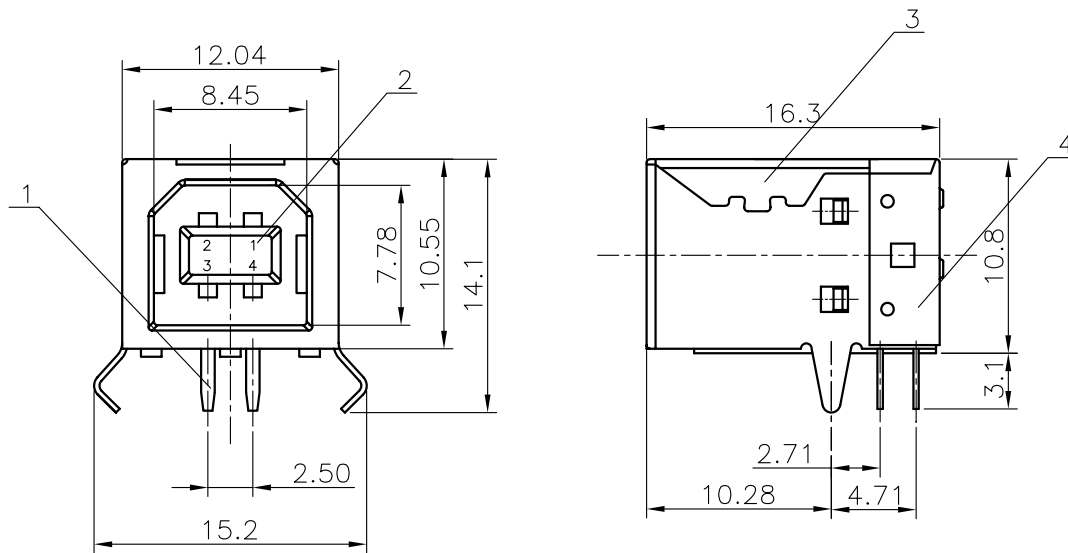
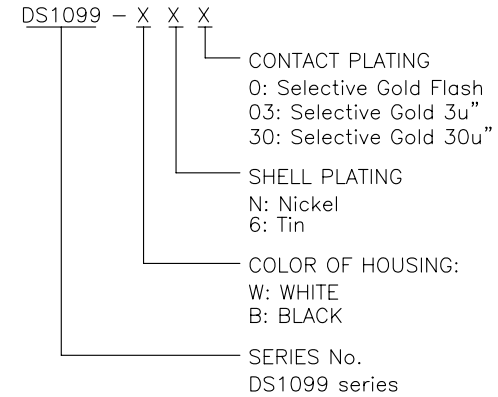
RECOMMEND PCB LAYOUT
TOLERANCE=±0.05

NOTES:

- SPECIFICATIONS:
 - CONTACT RESISTANCE:30mΩ max.
 - INSULATION RESISTANCE:1000MΩ min.
 - CURRENT RATING:1.5A.
 - VOLTAGE RATING:30VDC.
 - DIELECTRIC WITHSTANDING VOLTAGE:AC 500V FOR 1 Minute.

- MATERIALS:
 - HOUSING:PBT+30% GLASS FIBER(UL 94-0).
 - CONTACT:COPPER ALLOY
 - SHELL:COPPER ALLOY.

3. PRODUCT NUMBER CODE:



GENERAL TOLERANCE	ANGLE TOLERANCE
X. ±0.60	X. ±5°
.X ±0.38	.X ±3°
.XX ±0.25	.XX ±2°

PROJECTION	TITLE
	USB B TYPE R/A DIP TYPE
UNITS	mm
SHEET SIZE	A4
SERIES	DS1099 SERIES

ITEM	PART NAME	PART NO.	MATERILAS	FINISHED
4	BACK SHELL		COPPER ALLOY	
3	FRONT SHELL		COPPER ALLOY	SEE NOTES
2	HOUSING		PBT	UL 94 V-0
1	CONTACT		COPPER ALLOY	SEE NOTES

DRAWING TYPE	CUSTOMER
SCALE	1:1
DRAWING NO.	C-DS1099-XXX

USBB-1J