

Plastic-bodied compact limit switches

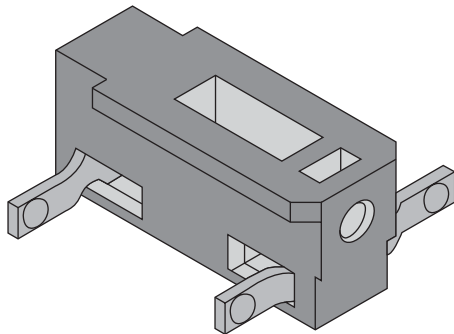
Tiny Ti2

Compact design
Protection class IP 65
Mounting measurements according to
DIN EN 50047
Hinged snap lid

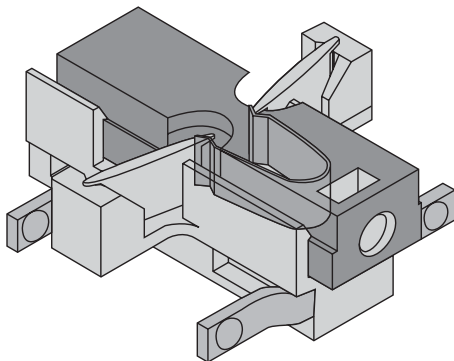


The switching system for C2 and Ti2

- Small hysteresis on the snap-action system
- Large variety of contact functions
- Optimized size utilising proven terminal technology
- Snap-action type prevents undefined status even with very slow actuation
- Compact switches for safety or control applications in protection class IP 65
- 3 different contact configurations available as slow-action or snap-action devices
- Positive break \ominus
- Two channel safety monitoring possible
- Galvanically isolated terminals, type Zb
- Approvals UL, CSA, BG
- Cable entries M 16 x 1.5
- 4 screw terminals M3.5 with self-lifting clamps
- PBT enclosure, fiberglass reinforced, self-extinguishing UL 94-V0
- Lid, PA 6.6 UL 94-V0
- 2 mm contact opening of slow-action system according to EN 81-1 for lift construction
- Actuator mounting in 4 x 90°



Slow-action device

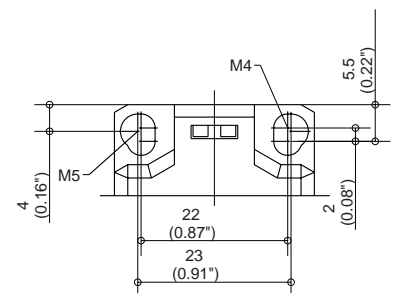


Snap-action device



Mounting

- adjustable mounting with two M4 screws (22 mm centres)
- fixed positioning with two M5 screws (23 mm centres) for safety applications



Contact configuration

Switching element	Switch function	Switch contact	Designation	Voltage	Continuous current
Slow-action	changeover	1NC/1NO	U1Z	250 V	10 A
Snap-action	changeover	1NC/1NO	SU1Z	250 V	10 A
Slow-action	normally-closed	2NC	A2Z	250 V	10 A
Snap-action	normally-closed	2NC	SA2Z	250 V	10 A
Slow-action	normally-open	2NO	E2	250 V	10 A
Snap-action	normally-open	2NO	SE2	250 V	10 A

Plastic-bodied compact limit switches

Tiny Ti2

Compact design
 Protection class IP 65
 Mounting measurements according to DIN EN 50047
 Hinged snap lid



Designation	Ti2-U1Z w	Ti2-SU1Z w	Ti2-A2Z w	Ti2-U1Z Riw	Ti2-SU1Z Riw	Ti2-A2Z Riw
Part number	608.8103.001	608.8153.002	608.8803.003	608.8117.007	608.8167.008	608.8817.009
Switching diagram						
⊕ positive break according to IEC 947-5-1 Chap. 3	⊕ Zb	⊕ Zb	⊕ Zb	⊕ Zb	⊕ Zb	⊕ Zb
Za: changeover contact is not galvanically isolated	●/-	-/●	●/-	●/-	-/●	●/-
Slow-action contact/snap-action contact	w	w	w	iw	iw	iw
Gasket inside (iw)/outside (w)						

Contact travel mm Tol. ± 0.25 mm	Actuating force N Tol. ± 10%
Switching angle degree Tol. ± 3.5°	Actuating torque Ncm Tol. ± 10%
In	Out

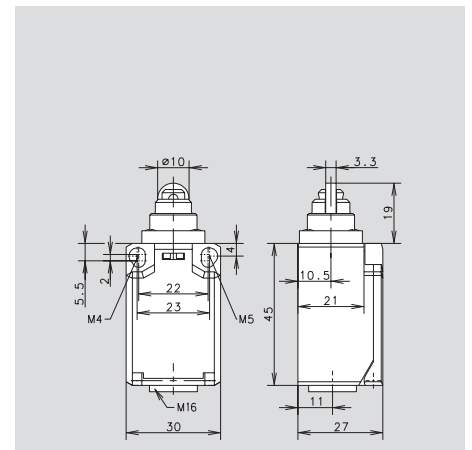
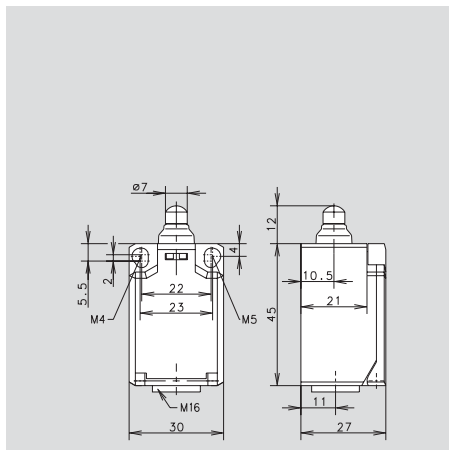
--	--	--	--	--	--

Voltage	max.
Continuous current	max.
Making current, acc. to IEC 947-5-1 AC 15/DC 13	
Switching frequency	max.
Mech. operational life – number of switching cycles	
Ambient temperature	min./max.

250 V AC	250 V AC	250 V AC	250 V AC	250 V AC	250 V AC
10 A	10 A	10 A	10 A	10 A	10 A
●	●	●	●	●	●
100/min.	100/min.	100/min.	100/min.	100/min.	100/min.
3 x 10 ⁵	3 x 10 ⁵	3 x 10 ⁵	3 x 10 ⁵	3 x 10 ⁵	3 x 10 ⁵
-30 °C/+80 °C	-30 °C/+80 °C	-30 °C/+80 °C	-30 °C/+80 °C	-30 °C/+80 °C	-30 °C/+80 °C
-22 °F/+176 °F	-22 °F/+176 °F	-22 °F/+176 °F	-22 °F/+176 °F	-22 °F/+176 °F	-22 °F/+176 °F

Approvals	UL, CSA	UL, CSA	UL, CSA	UL, CSA	UL, CSA
Weight	0.04 kg	0.04 kg	0.04 kg	0.05 kg	0.05 kg
Delivery: ex-stock/built to order	●/-	●/-	●/-	●/-	●/-

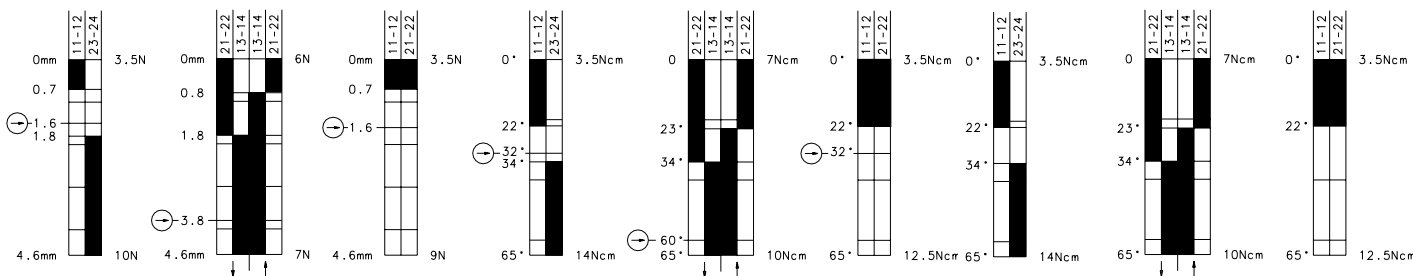
Further switching functions	SA2	E2	SE2



Dimensions
 All dimensions in mm



Ti2-U1Z Hw	Ti2-SU1Z Hw	Ti2-A2Z Hw	Ti2-U1Z AH	Ti2-SU1Z AH	Ti2-A2Z AH	Ti2-U1 AD	Ti2-SU1 AD	Ti2-A2 AD
608.8121.015	608.8171.016	608.8821.017	608.8135.021	608.8185.022	608.8835.023	608.8137.027	608.8187.028	608.8837.029
⊕ Zb	⊕ Zb	⊕ Zb	⊕ Zb	⊕ Zb	⊕ Zb	Zb	Zb	Zb
●/-	-/●	●/-	●/-	-/●	●/-	●/-	-/●	●/-
w	w	w	iw	iw	iw	iw	iw	iw



250 V AC	250 V AC	250 V AC	250 V AC	250 V AC	250 V AC	250 V AC	250 V AC	250 V AC
10 A	10 A	10 A	10 A	10 A	10 A	10 A	10 A	10 A
●	●	●	●	●	●	●	●	●
100/min.	100/min.	100/min.	100/min.	100/min.	100/min.	100/min.	100/min.	100/min.
3 x 10 ⁶	3 x 10 ⁶	3 x 10 ⁶	3 x 10 ⁶	3 x 10 ⁶	3 x 10 ⁶	3 x 10 ⁶	3 x 10 ⁶	3 x 10 ⁶
-30 °C/+80 °C	-30 °C/+80 °C	-30 °C/+80 °C	-30 °C/+80 °C	-30 °C/+80 °C	-30 °C/+80 °C	-30 °C/+80 °C	-30 °C/+80 °C	-30 °C/+80 °C
-22 °F/+176 °F	-22 °F/+176 °F	-22 °F/+176 °F	-22 °F/+176 °F	-22 °F/+176 °F	-22 °F/+176 °F	-22 °F/+176 °F	-22 °F/+176 °F	-22 °F/+176 °F

UL, CSA	UL, CSA	UL, CSA	UL, CSA	UL, CSA	UL, CSA	UL, CSA	UL, CSA	UL, CSA
BG	BG	BG	BG	BG	BG	BG	BG	BG
0.05 kg	0.05 kg	0.05 kg	0.07 kg	0.07 kg	0.07 kg	0.07 kg	0.07 kg	0.07 kg
●/-	●/-	●/-	●/-	●/-	●/-	●/-	●/-	●/-

