

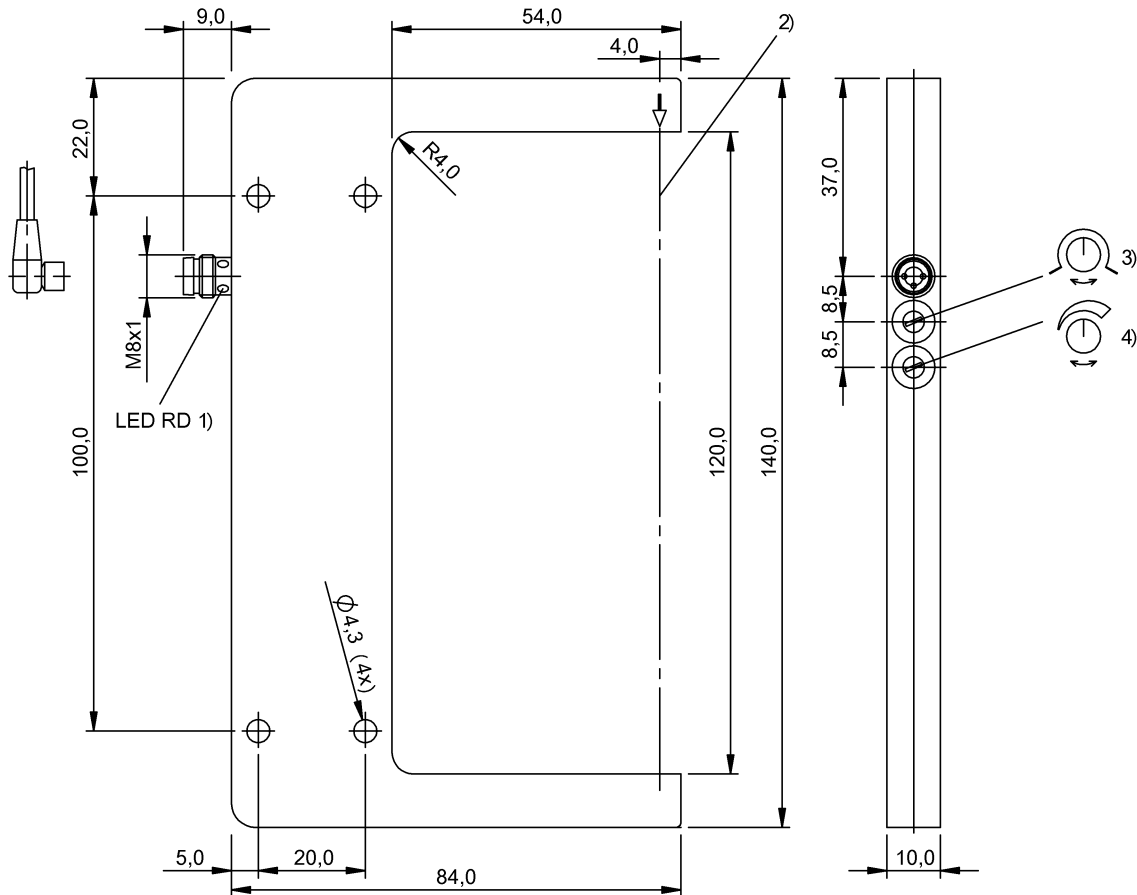
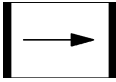
BGL 120A-001-S49
Ordering code: BGL0007

Fork sensor
 Series A
 Working Range: 120 mm

PNP (1X), antivalent
 LED, red light
 DC, direct current

BALLUFF

sensors worldwide



1) Output function, 2) Optical axis, 3) Light-on / Dark-on, 4) Sensitivity

Characteristic data

| | |
|-------------------------------------|-------------------------------|
| Operating voltage | 10...30 V DC |
| Connection | Connector, M8x1-S49 |
| Switching freq. f max. | 1500 Hz |
| Indicator | Output function - LED RD |
| Setting | Light-on/dark-on, Sensitivity |
| Adjuster | Potentiometer 270° (2x) |
| Short-circuit protected | Yes |
| Protected against polarity reversal | Yes |
| Enclosure Type per IEC 60529 | IP65 |

Optical data

| | |
|--------------------------------|-------------------------|
| Principle of optical operation | Through-beam |
| Switching function, optical | NO/NC: dark-on/light-on |
| Light spot size, typical | Ø2.5 mm light exit |
| Light type | LED, red light |
| Wavelength | 640 nm |
| Ambient light max. | 5,000 Lux |

Electrical data

| | |
|--------------------------------|---------|
| Rated operating voltage Ue DC | 24 V |
| Effective operating current Ie | 200 mA |
| Rated insulation voltage Ui | 75 V DC |

| | |
|---|----------|
| Ripple max. (% of Ue) | 10 |
| Switching output | PNP (1X) |
| Switching function | NO/NC |
| Turn-off delay toff max. | 0,333 ms |
| Turn-on delay ton max. | 0,333 ms |
| Hysteresis H max. | 0,2 mm |
| No-load current max. I _o at Ue | 35 mA |
| Voltage drop U _d max. (at I _e) | 3.0 V |

Mechanical data

| | |
|------------------------------|---------------------------|
| Beam characteristic | Divergent |
| Slot width | 120 mm |
| Repeat accuracy lateral max. | 80 µm |
| Connector type | M8x1-S49 |
| Sensing surface material | Glass |
| Housing material | Aluminum |
| Oberflächenschutz | Anodized |
| Mounting type | Screw M4 |
| Design | Slot, straight connection |
| Ambient temperature | -10...60 °C |

Basic data

| | |
|----------------|---------------|
| Basic standard | IEC 60947-5-2 |
|----------------|---------------|

BGL 120A-001-S49
Ordering code: BGL0007

Fork sensor
Series A
Working Range: 120 mm

PNP (1X), antivalent
LED, red light
DC, direct current

BALLUFF
sensors worldwide

The sensor is functional again after the overload has been eliminated.
Reference object (test target): Steel sheet metal, 50 x 50, thickness 0.5 mm, lateral approach.
Factory default setting for switching output: Normally open.
With connector, e.g. BKS-S 49-... total length = switch length + 12 mm.
Only for NFPA 79 applications (machines with a supply voltage of maximum 600 volts). Device shall be connected only by using any R/C (CYJV2) cord, having suitable ratings.
For additional information, refer to user's guide.
Order accessories separately.

